



US00D723908S

(12) **United States Design Patent**
Lorenz

(10) **Patent No.:** **US D723,908 S**
(45) **Date of Patent:** **** Mar. 10, 2015**

(54) **CLIP FOR A SLATTED BED FRAME**

(71) Applicant: **Lorenz Kunststofftechnik GmbH**,
Wallenhorst (DE)

(72) Inventor: **Thomas Lorenz**, Wallenhorst (DE)

(**) Term: **14 Years**

(21) Appl. No.: **29/467,474**

(22) Filed: **Sep. 19, 2013**

(51) **LOC (10) Cl.** **08-08**

(52) **U.S. Cl.**
USPC **D8/382**

(58) **Field of Classification Search**

CPC A47C 23/06; A47C 23/062; A47C 19/005;
A47C 19/021; A47C 19/04; A61G 2007/0514;
A61H 2201/0142
USPC D8/382, 349, 354, 499, 395; D6/395,
D6/382; D34/29; 411/458; 5/238, 236.1,
5/246, 239; 52/480, 489.2, 585.1, 403.1;
403/231, 232.1, 408.1, 349

See application file for complete search history.

(56) **References Cited**

U.S. PATENT DOCUMENTS

4,292,003 A * 9/1981 Pond 403/349
D280,288 S * 8/1985 Lickton D8/499
6,651,276 B2 * 11/2003 McCraw et al. 5/246

D610,440 S * 2/2010 Prichard et al. D8/382
D632,164 S * 2/2011 Lappin D8/382
8,806,829 B2 * 8/2014 Pelc et al. 52/585.1
2006/0053720 A1 * 3/2006 Oh 52/480
2012/0066834 A1 * 3/2012 Jansen 5/239
2014/0173824 A1 * 6/2014 Lorenz 5/238
2014/0201908 A1 * 7/2014 Lorenz 5/238

* cited by examiner

Primary Examiner — Sheryl Lane

Assistant Examiner — Nicole Shiflet

(74) *Attorney, Agent, or Firm* — Patricia M. Mathers

(57) **CLAIM**

The ornamental design for a clip for a slatted bed frame, as shown and described.

DESCRIPTION

FIG. 1 is a top front right perspective view of the clip for a slatted bed frame.

FIG. 2 is a bottom rear left perspective view of the clip for a slatted bed frame.

FIG. 3 is a front elevation view of the clip for a slatted bed frame.

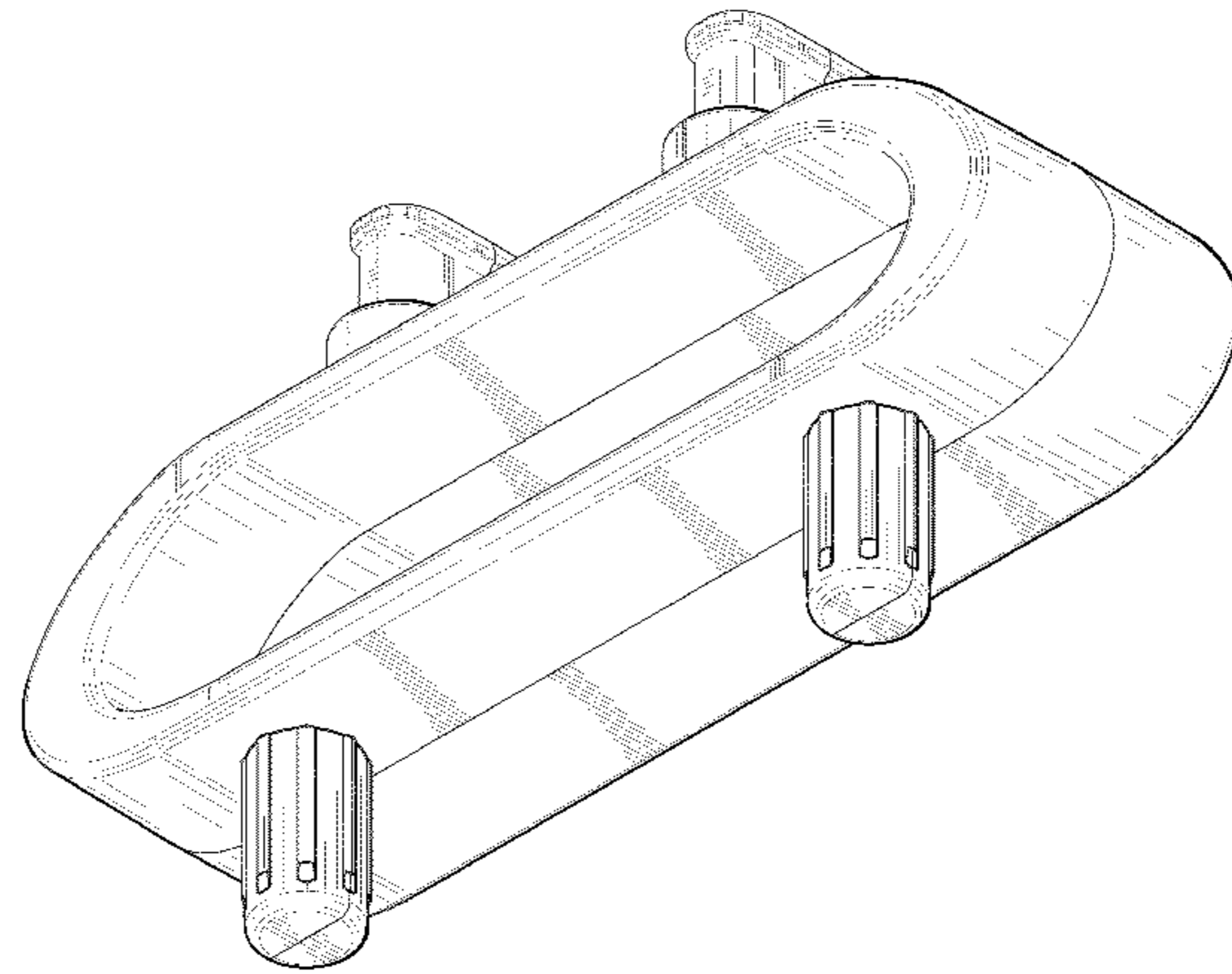
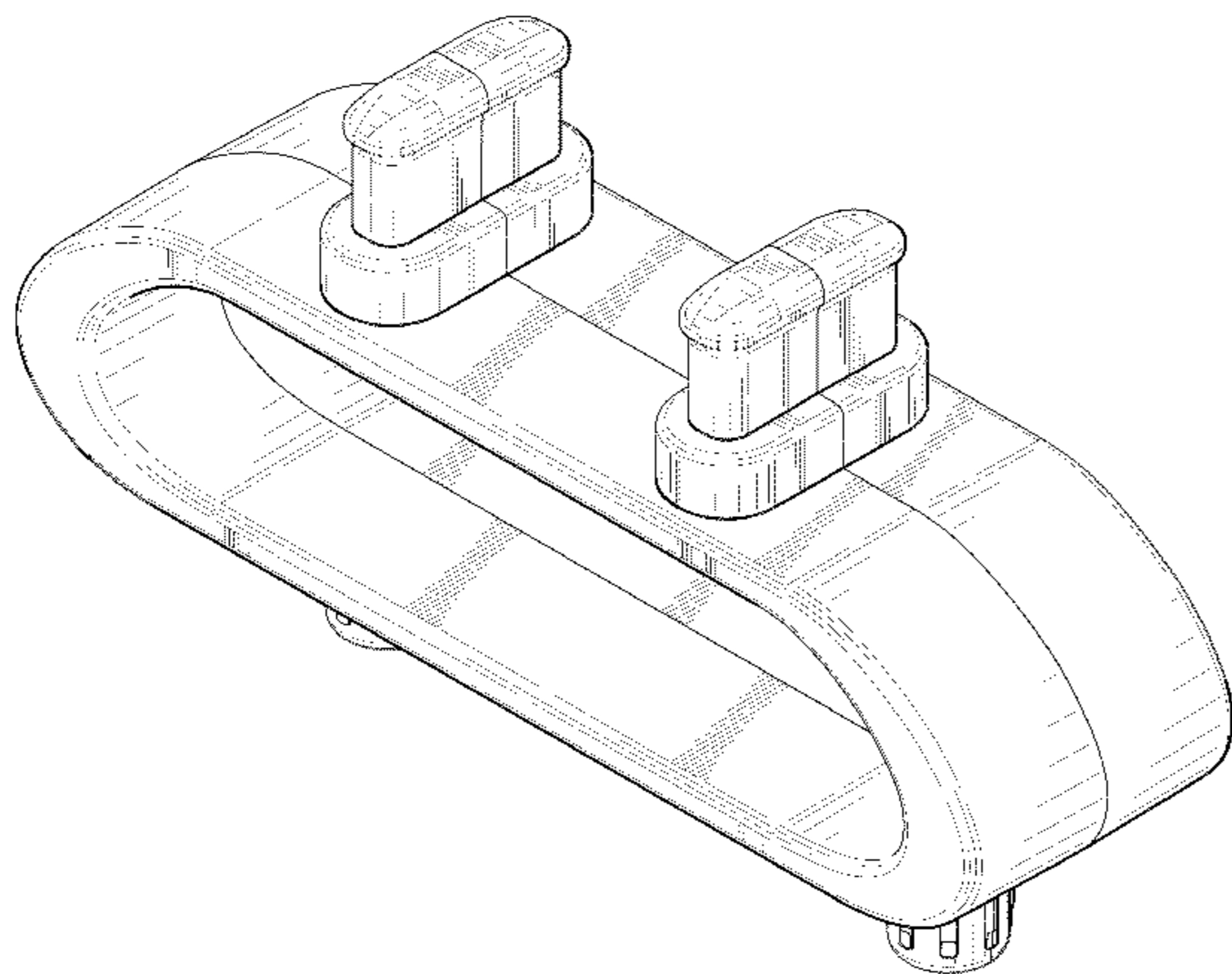
FIG. 4 is a right side elevation view of the clip for a slatted bed frame, the left side being a mirror image of the right.

FIG. 5 is a rear elevation view of the clip for a slatted bed frame.

FIG. 6 is a top plan view of the clip for a slatted bed frame; and,

FIG. 7 is a bottom plan view of the clip for a slatted bed frame.

1 Claim, 6 Drawing Sheets



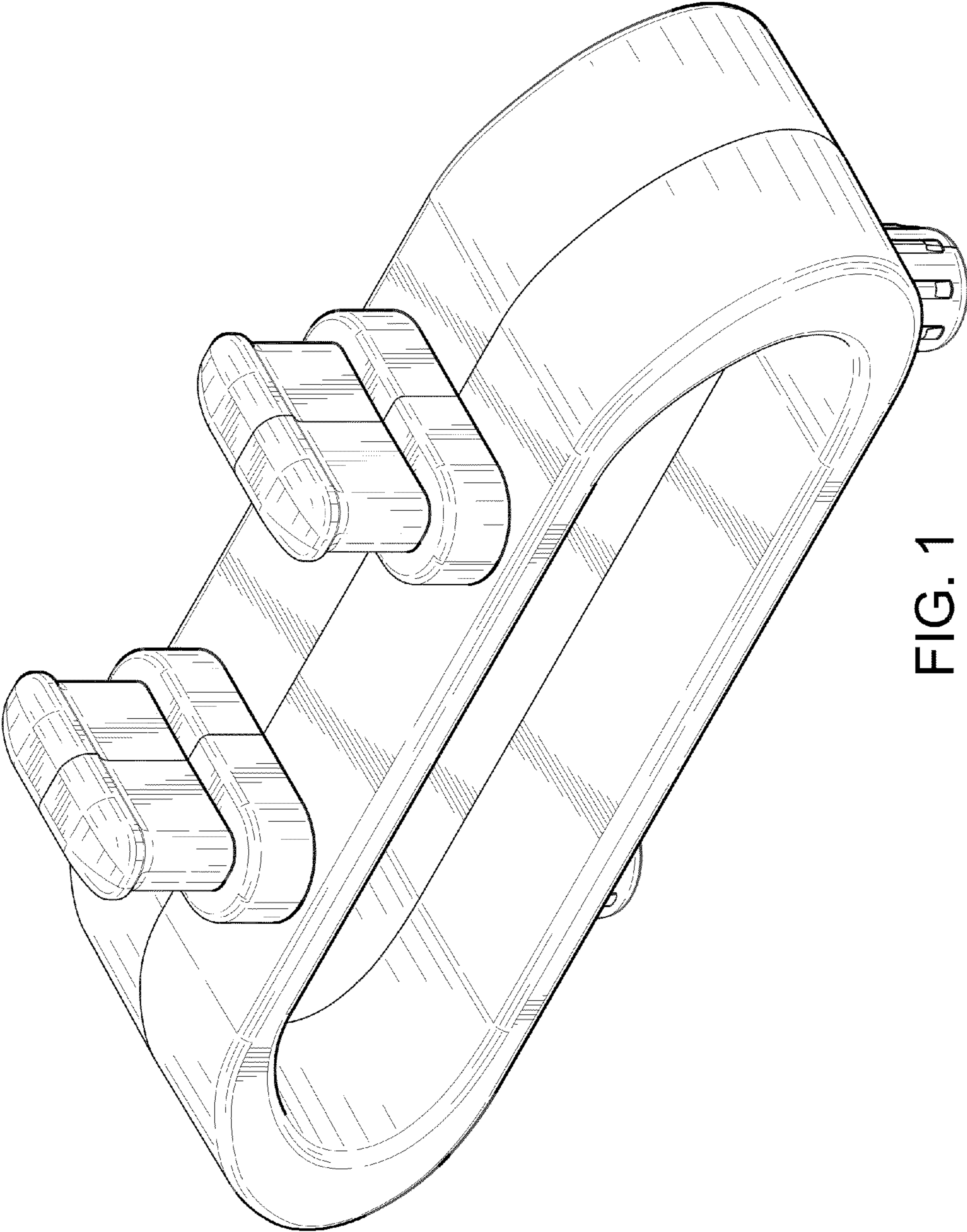


FIG. 1

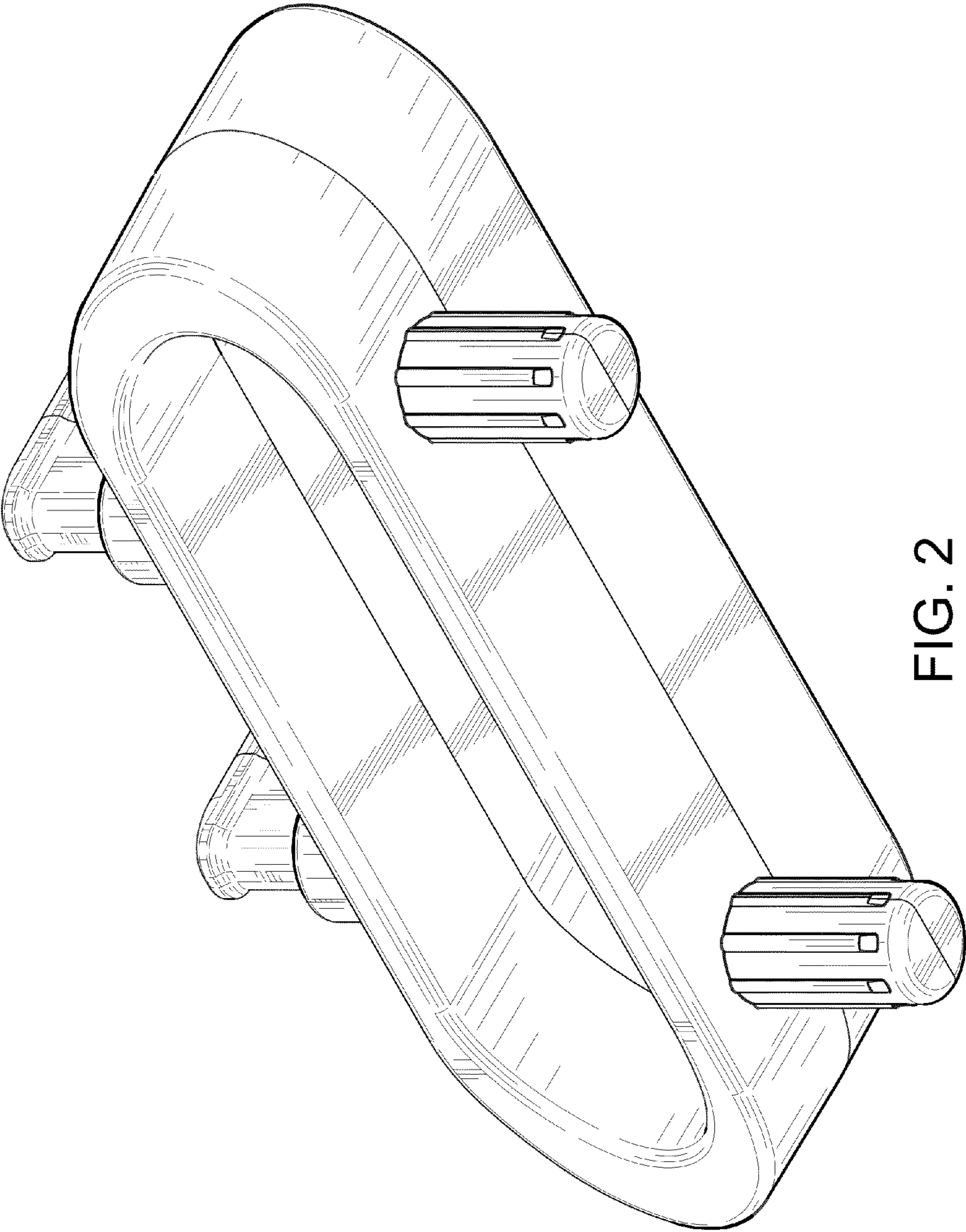


FIG. 2

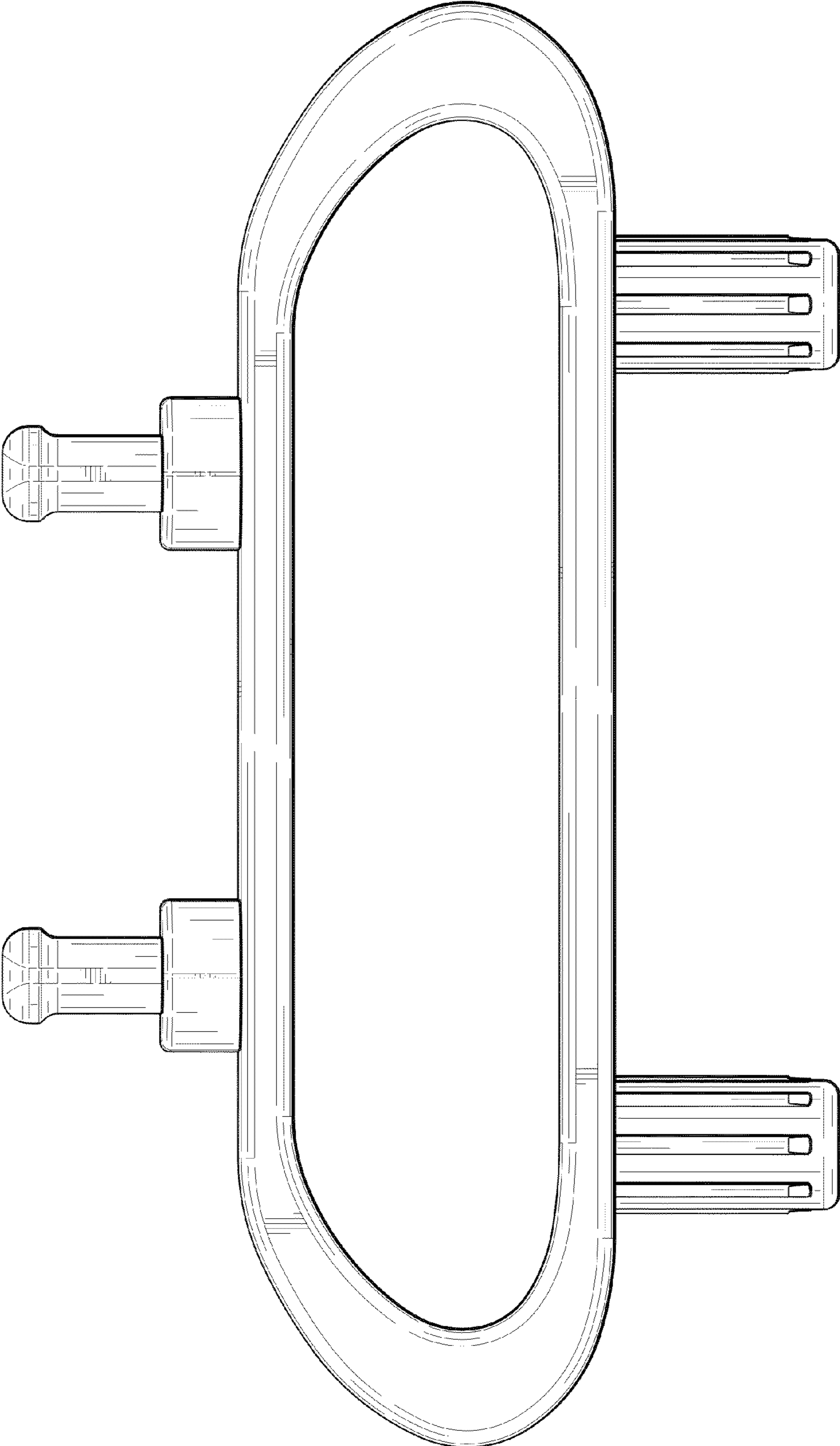


FIG. 3

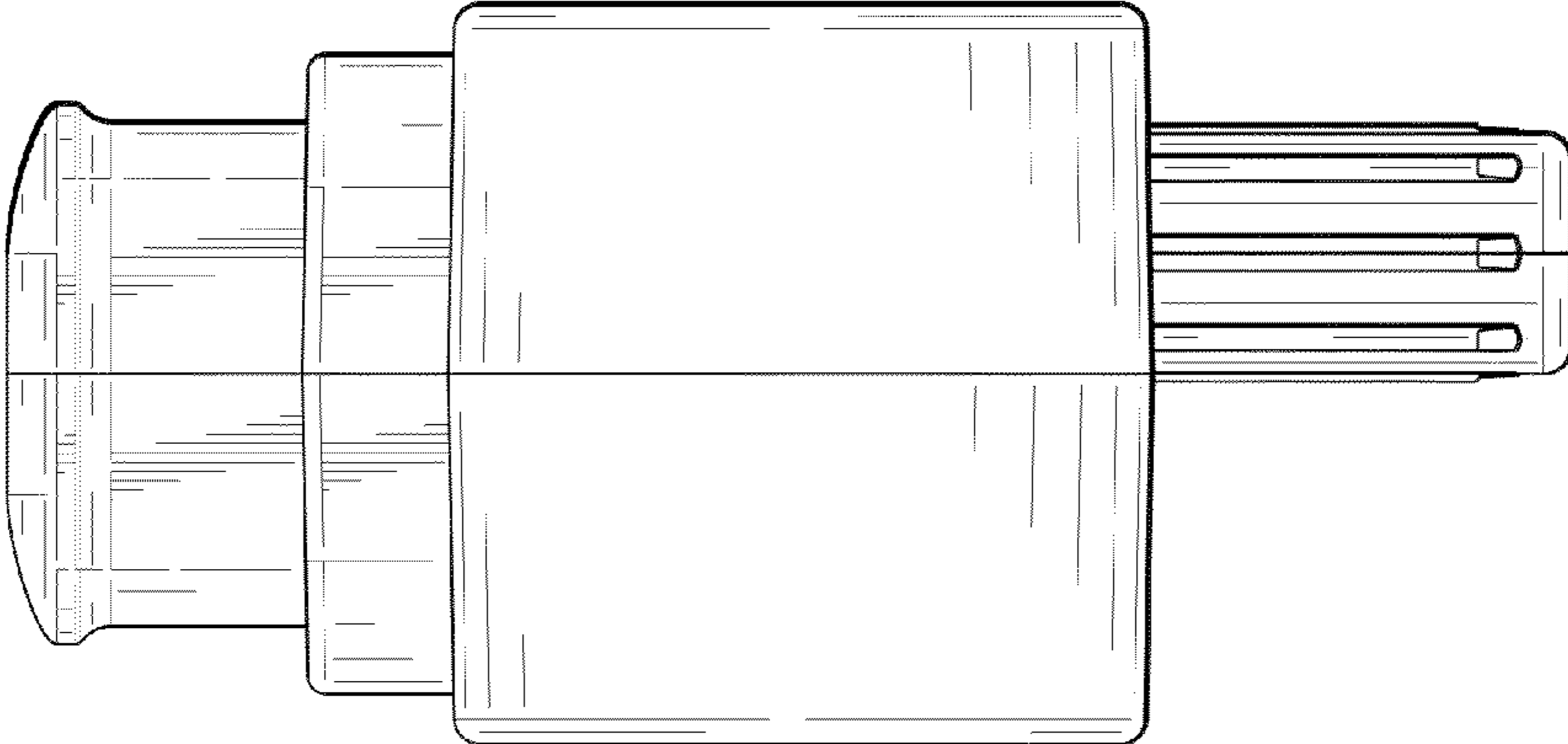


FIG. 4

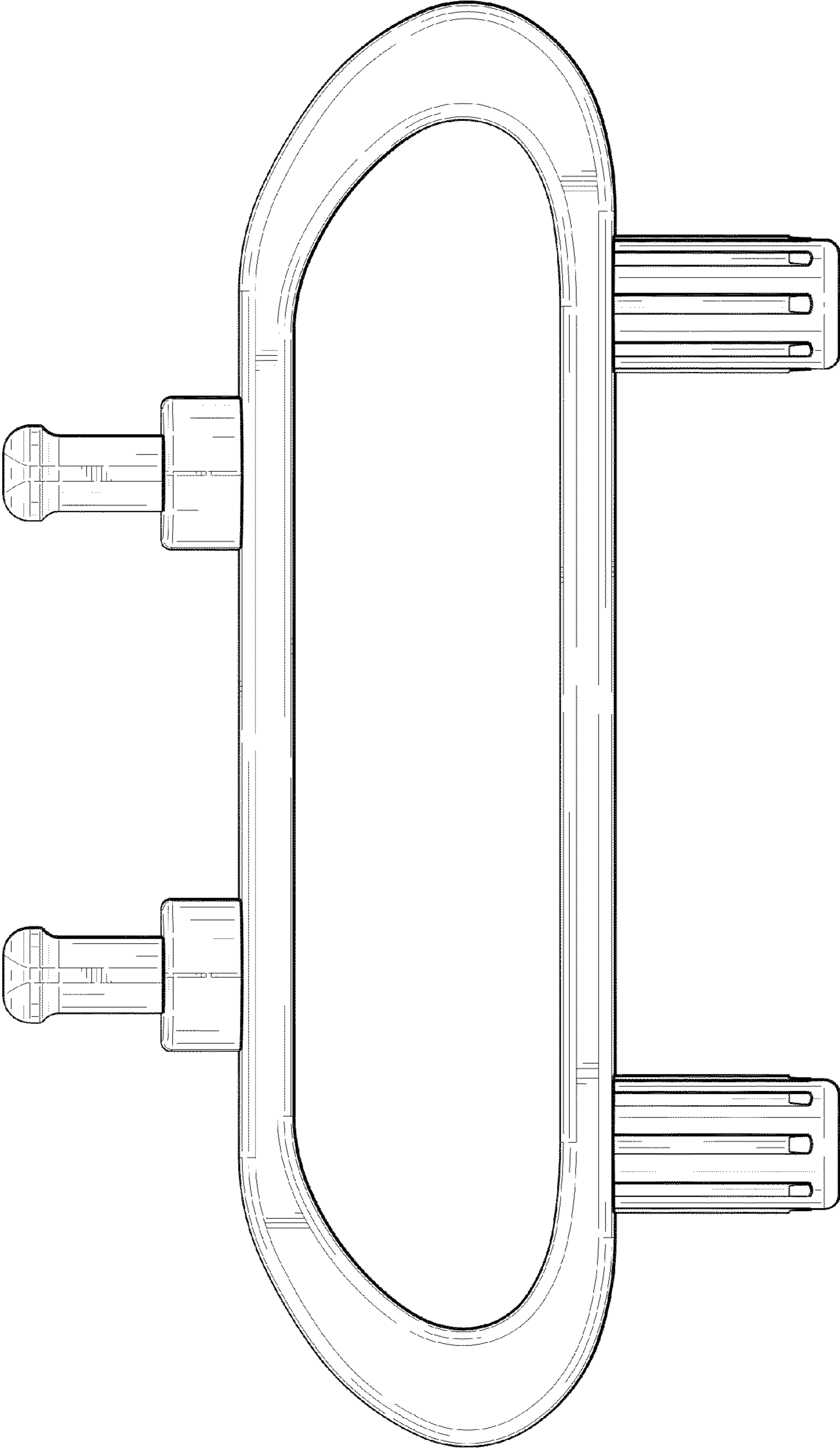


FIG. 5

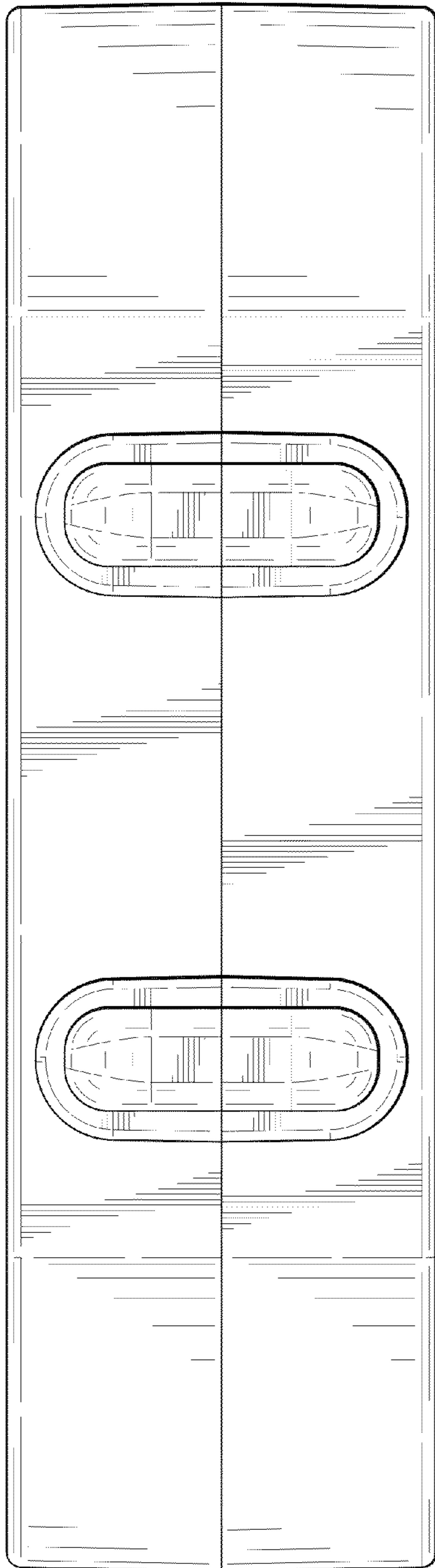


FIG. 6

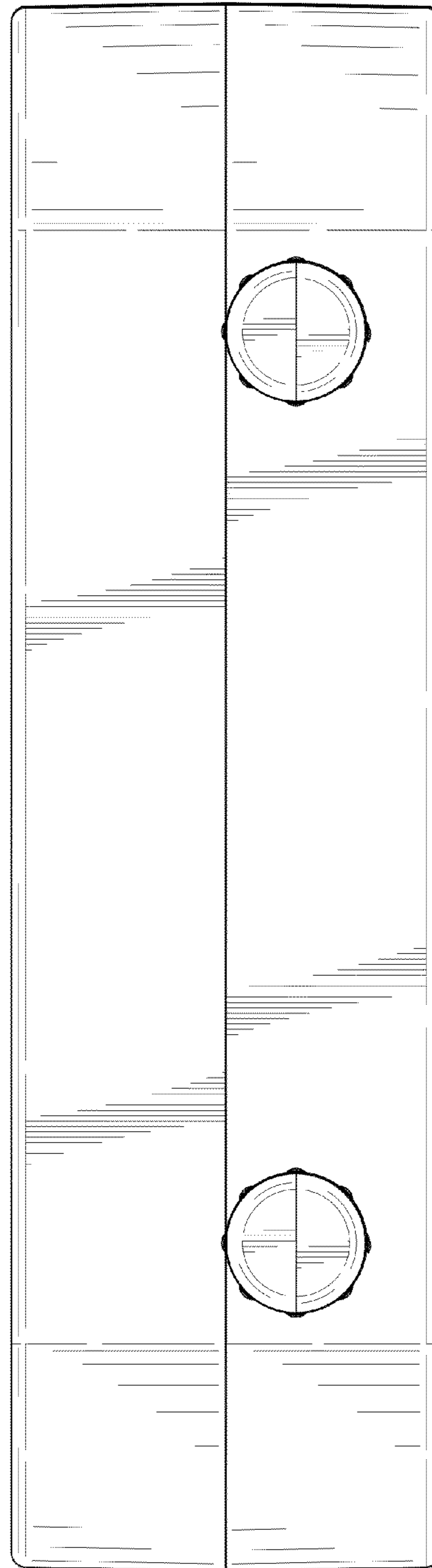


FIG. 7