



US00D723906S

(12) **United States Design Patent**
Kato et al.

(10) **Patent No.:** **US D723,906 S**
(45) **Date of Patent:** **** Mar. 10, 2015**

(54) **CUSHION**

(71) Applicants: **Makoto Kato**, Aichi-ken (JP); **Atsutoshi Kaji**, Aichi-ken (JP)

(72) Inventors: **Makoto Kato**, Aichi-ken (JP); **Atsutoshi Kaji**, Aichi-ken (JP)

(73) Assignee: **Daiwa Kasei Kogyo Kabushiki Kaisha**, Okazaki-Shi, Aichi-Ken (JP)

(**) Term: **14 Years**

(21) Appl. No.: **29/461,398**

(22) Filed: **Jul. 23, 2013**

(30) **Foreign Application Priority Data**

May 23, 2013 (JP) 2013-11319

(51) **LOC (10) Cl.** **08-08**

(52) **U.S. Cl.**
USPC **D8/382**

(58) **Field of Classification Search**

CPC F16F 1/3732; F16F 13/00; F16F 9/54;
F16F 1/36; F16F 1/371; B60G 7/04
USPC D8/382, 349, 354; D25/38.1, 61;
403/205, 256; 256/65.01, 65.05;
384/495, 906, 477, 558; 211/182, 187,
211/189, 206; 277/579, 581; 108/107,
108/147.13, 147.15, 106; 267/140.13,
267/141.4

See application file for complete search history.

(56) **References Cited**

U.S. PATENT DOCUMENTS

D380,959 S * 7/1997 Mitchell D8/354
D497,536 S * 10/2004 Fujiwara D8/354
D619,449 S * 7/2010 Smith et al. D8/382
D695,591 S * 12/2013 Ackerman et al. D8/349
D699,545 S * 2/2014 Ackerman et al. D8/349
2008/0128966 A1 * 6/2008 Tsai 267/140.3
2010/0038834 A1 * 2/2010 Criaud et al. 267/140.13

(Continued)

FOREIGN PATENT DOCUMENTS

JP 649834 7/1994
JP 2000199537 A * 7/2000 F16F 9/54

(Continued)

OTHER PUBLICATIONS

Solid Rubber Cushion Tyre (12"x3½"), The New India Rubber Works, indiamart, [online], [retrieved on Sep. 4, 2014]. Retrieved from the Internet <URL: <http://www.indiamart.com/the-newindia-rubber-works/solid-rubber-cushion-tyres.html#solid-rubber-cushion-tyre-12-x-31-2>>.*

(Continued)

Primary Examiner — Sheryl Lane

Assistant Examiner — Nicole Shiflet

(74) *Attorney, Agent, or Firm* — Ladas & Parry LLP

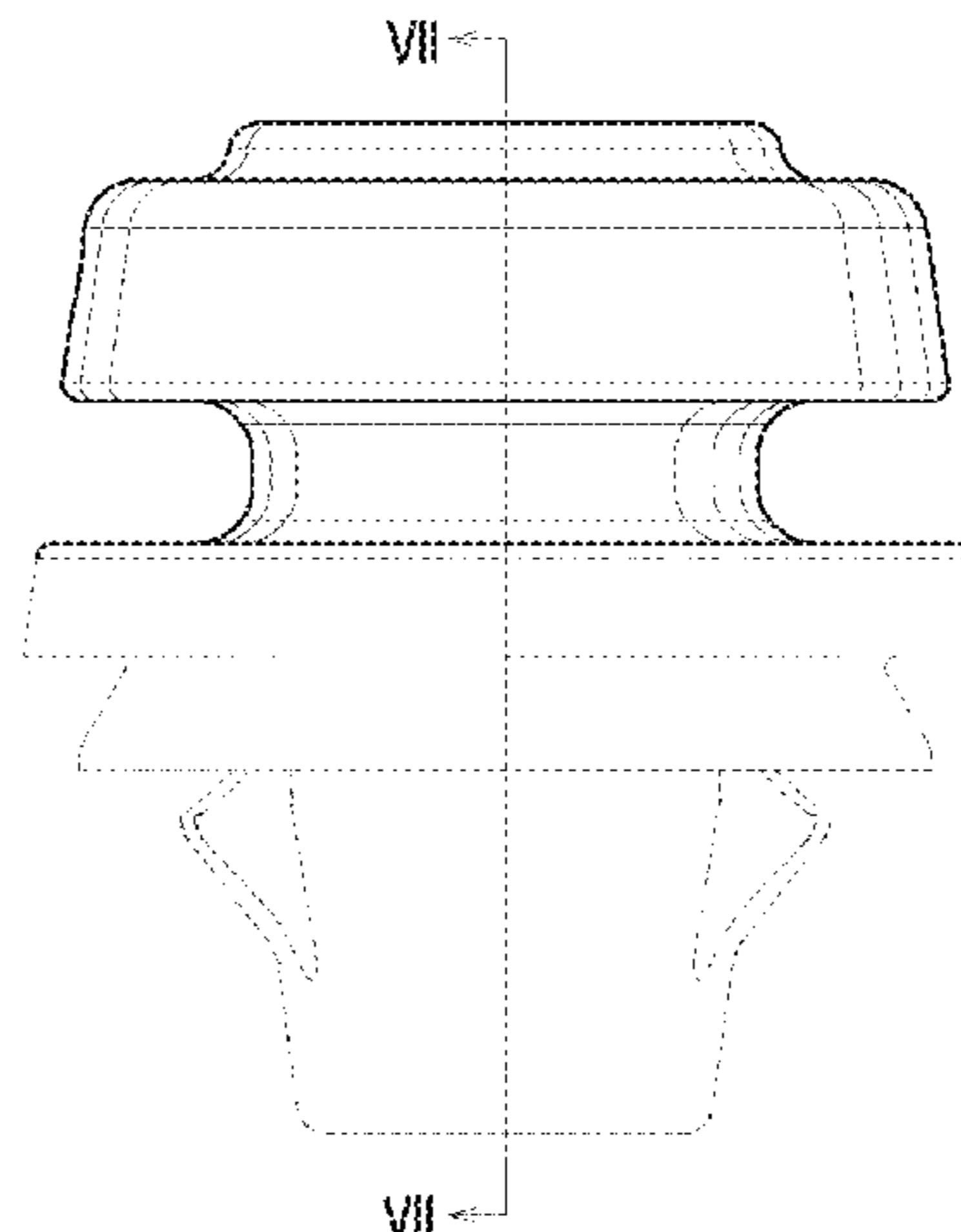
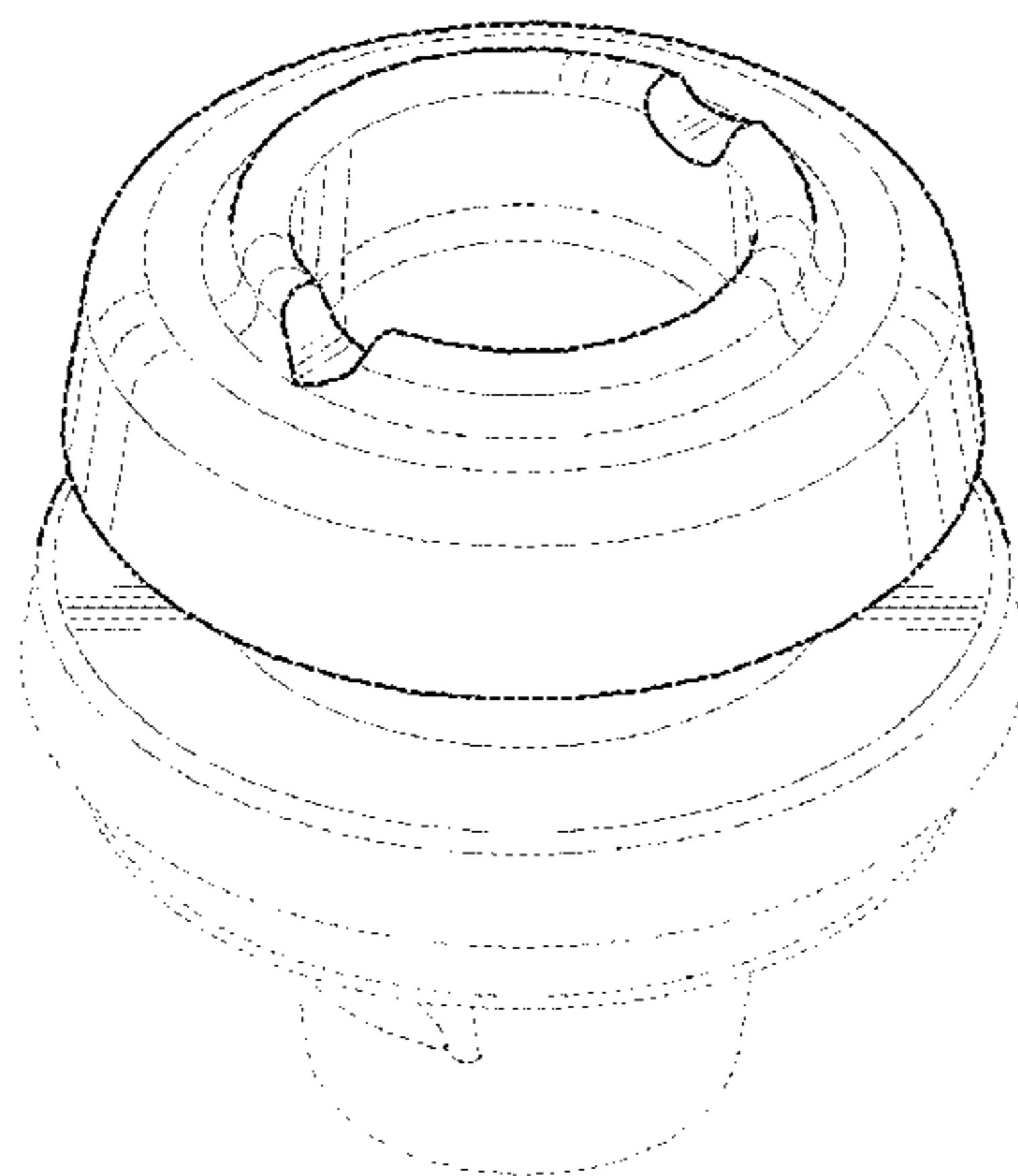
(57) **CLAIM**

The ornamental design for a cushion, as shown and described.

DESCRIPTION

FIG. 1 is a perspective view viewed from upper side of a cushion showing our new design;
FIG. 2 is a perspective view viewed from bottom side thereof;
FIG. 3 is a front elevation view thereof;
FIG. 4 is a right side elevation view thereof;
FIG. 5 is a top plan view thereof;
FIG. 6 is a bottom plan view thereof;
FIG. 7 is a sectional view taken along line VII-VII in FIG. 3;
FIG. 8 is a sectional view taken along line VIII-VIII in FIG. 4;
and,
FIG. 9 shows the environment in which the design is associated.
The broken lines shown in the drawings represent unclaimed portions of the cushion and form no part of the claimed design.

1 Claim, 5 Drawing Sheets



(56)

References Cited

OTHER PUBLICATIONS

U.S. PATENT DOCUMENTS

2013/0043626 A1* 2/2013 Satori et al. 267/140.13
2014/0154911 A1* 6/2014 Matsumoto et al. 439/370

FOREIGN PATENT DOCUMENTS

JP 2001151160 A 6/2001
JP 2006097775 4/2006

Body Cushion, Metro Moulded Parts Inc., [online], [retrieved on Sep. 4, 2014]. Retrieved from the Internet <URL: http://www.metrommp.com/?f=type_detail&ModelNumber=BC%206-A&Type=Body%20Cushions>.*

* cited by examiner

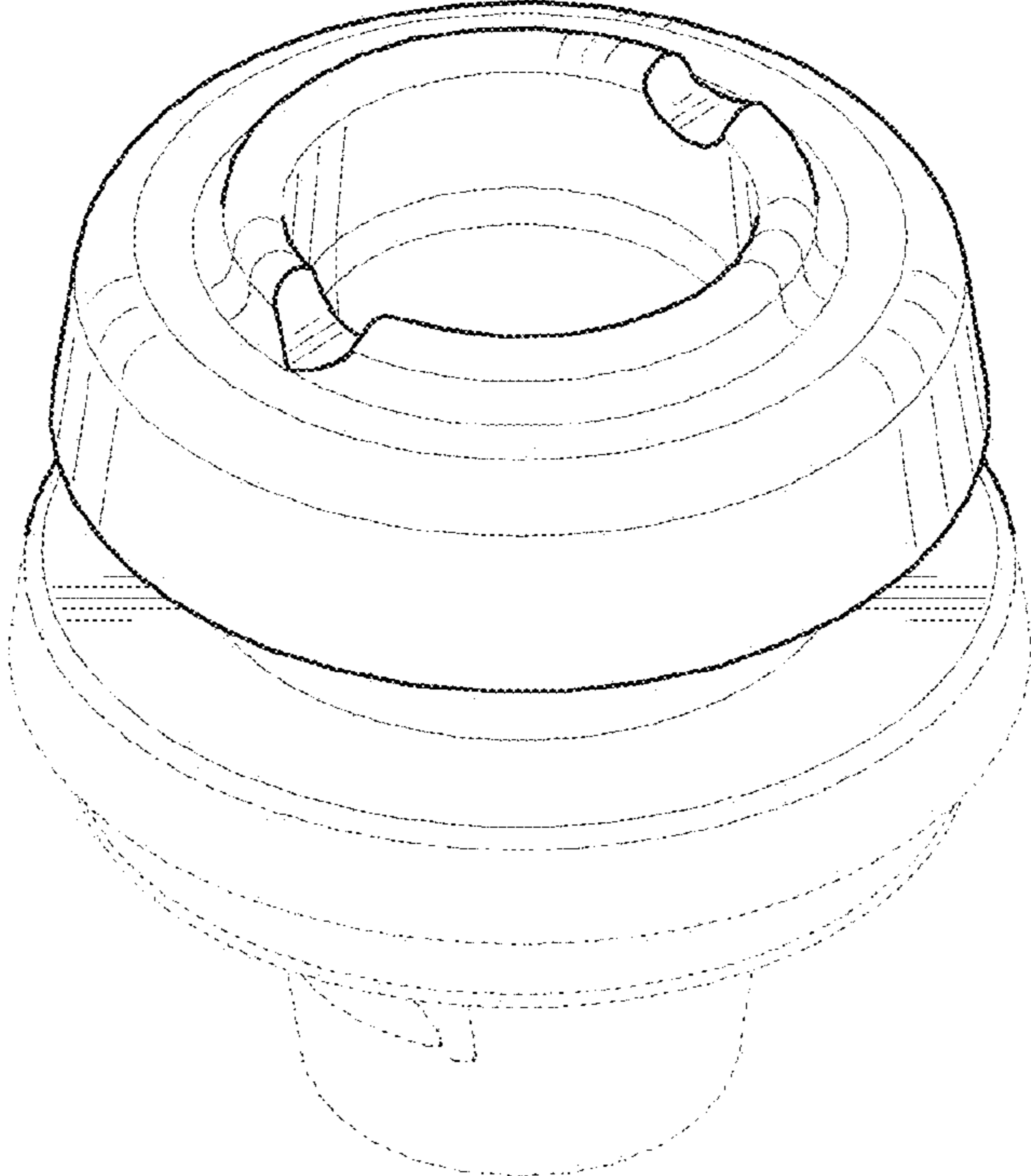


FIG. 1

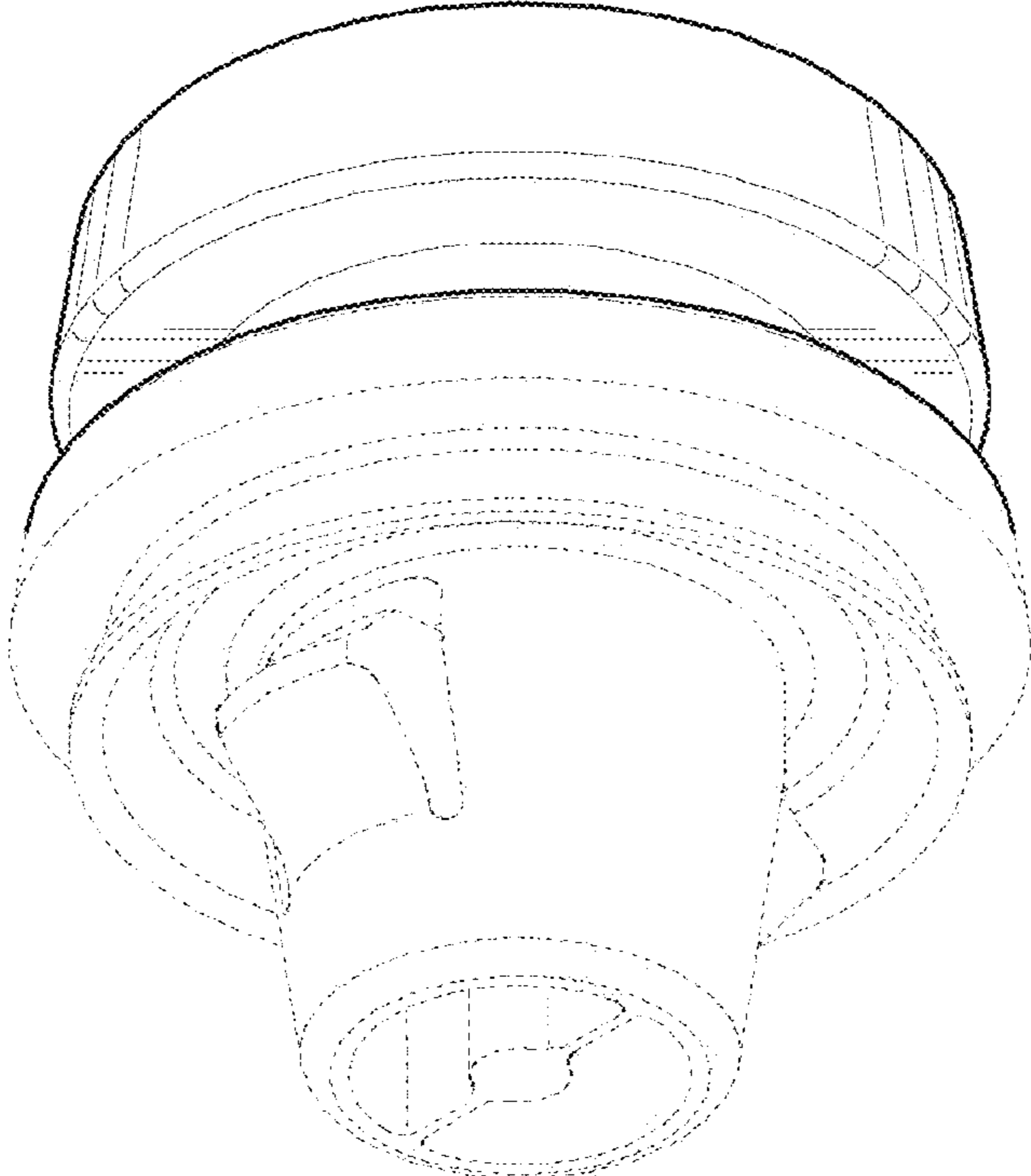
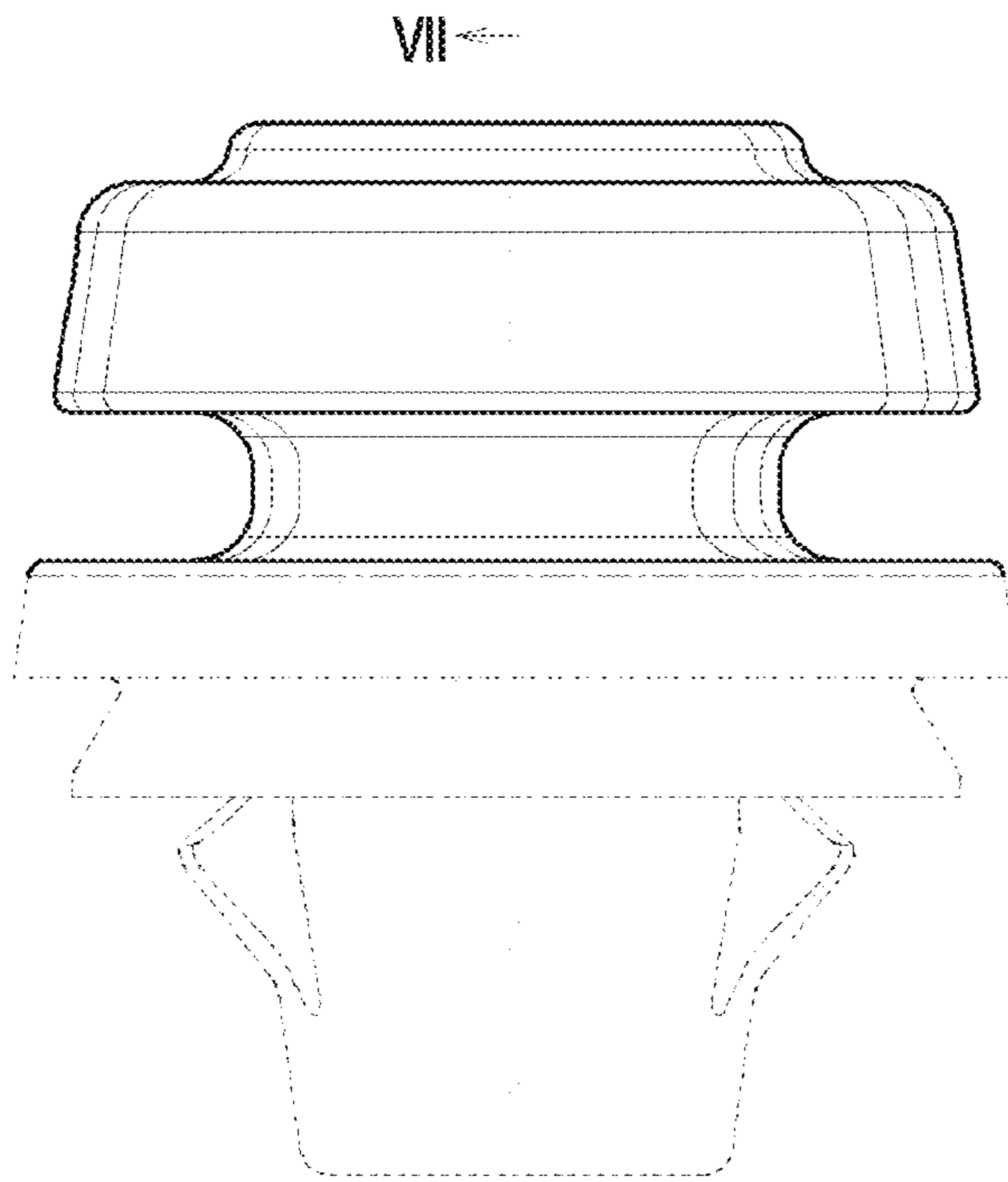
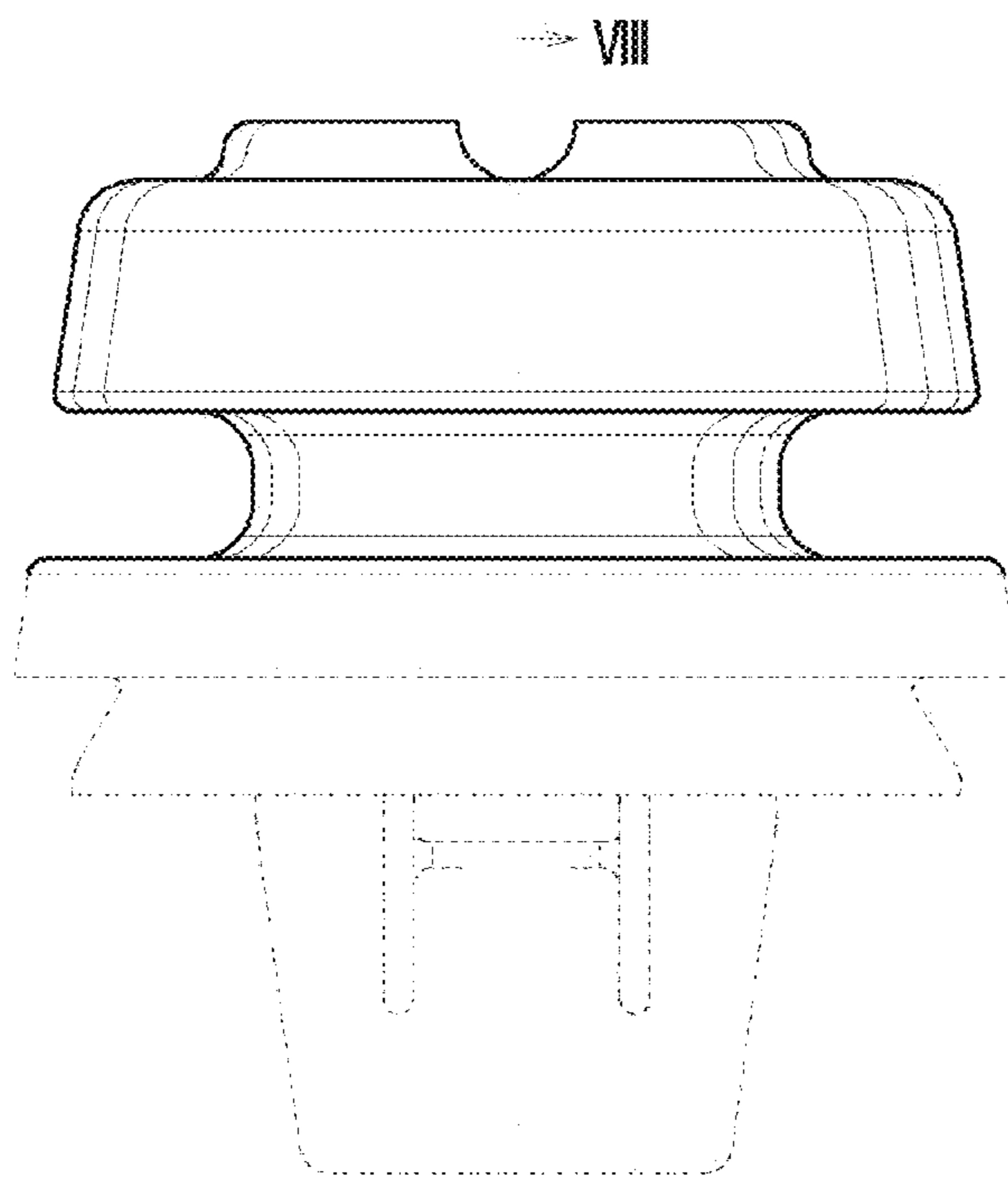


FIG. 2



VII ←
FIG. 3



→ VIII
FIG. 4

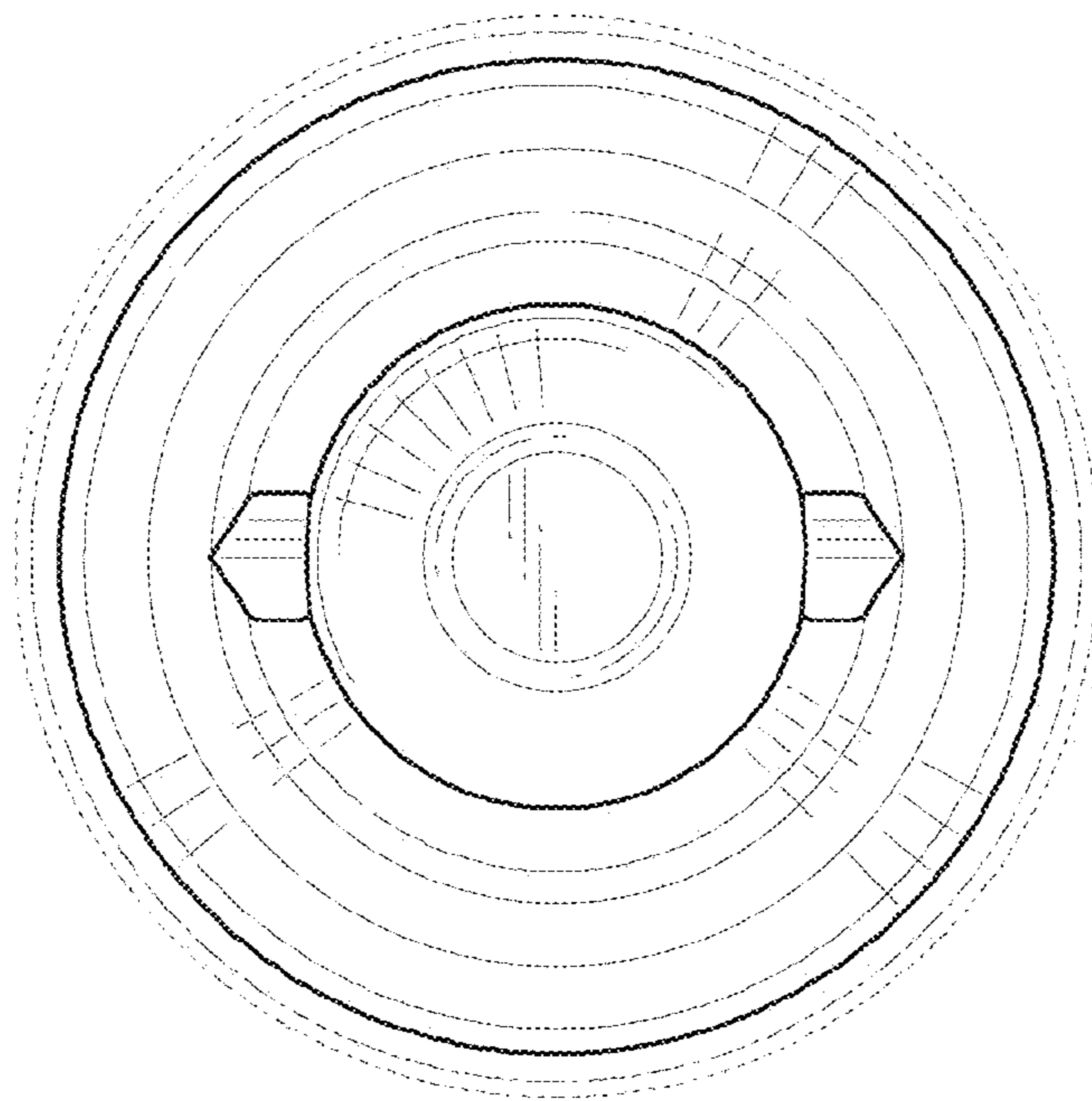


FIG. 5

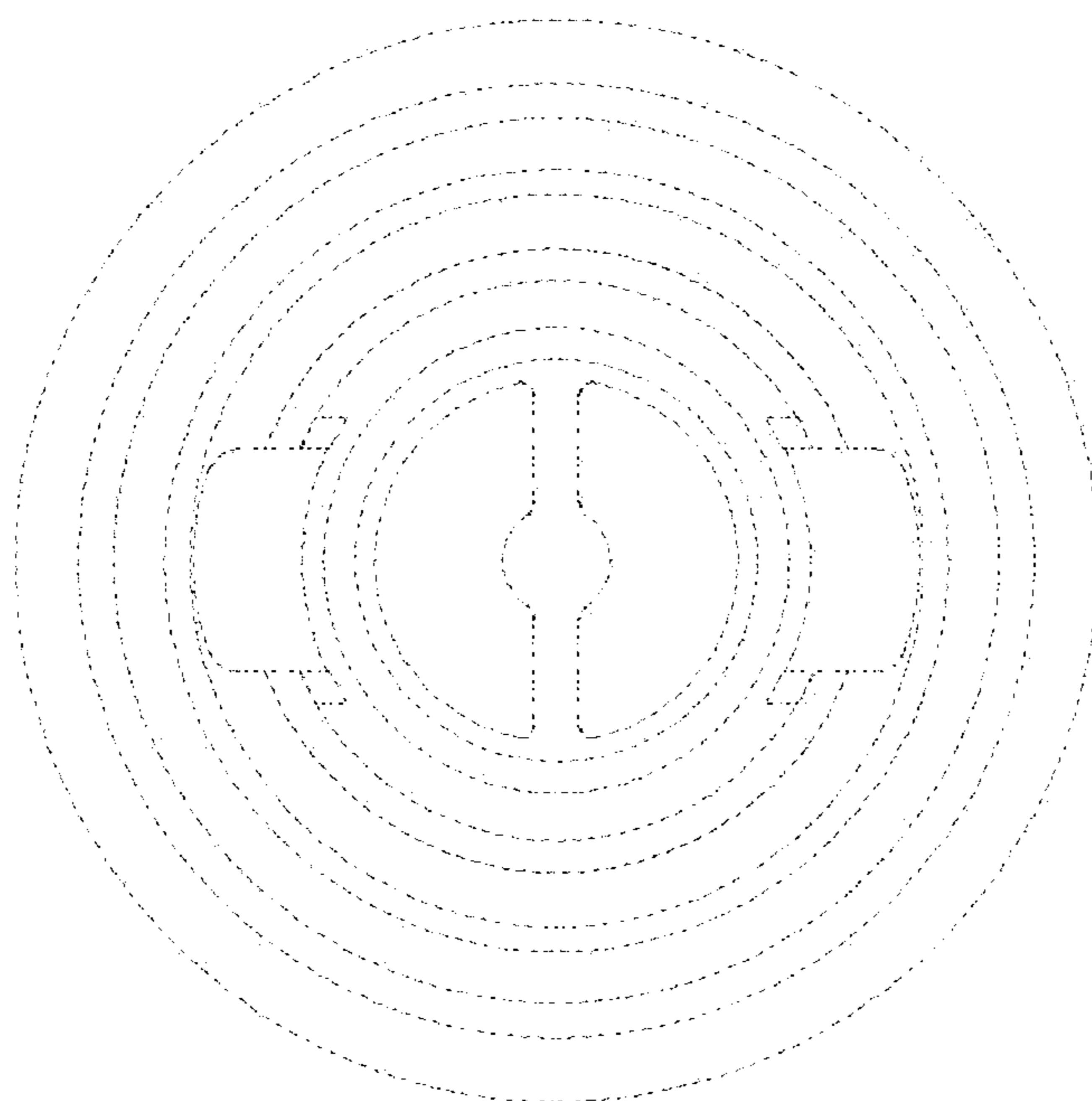


FIG. 6

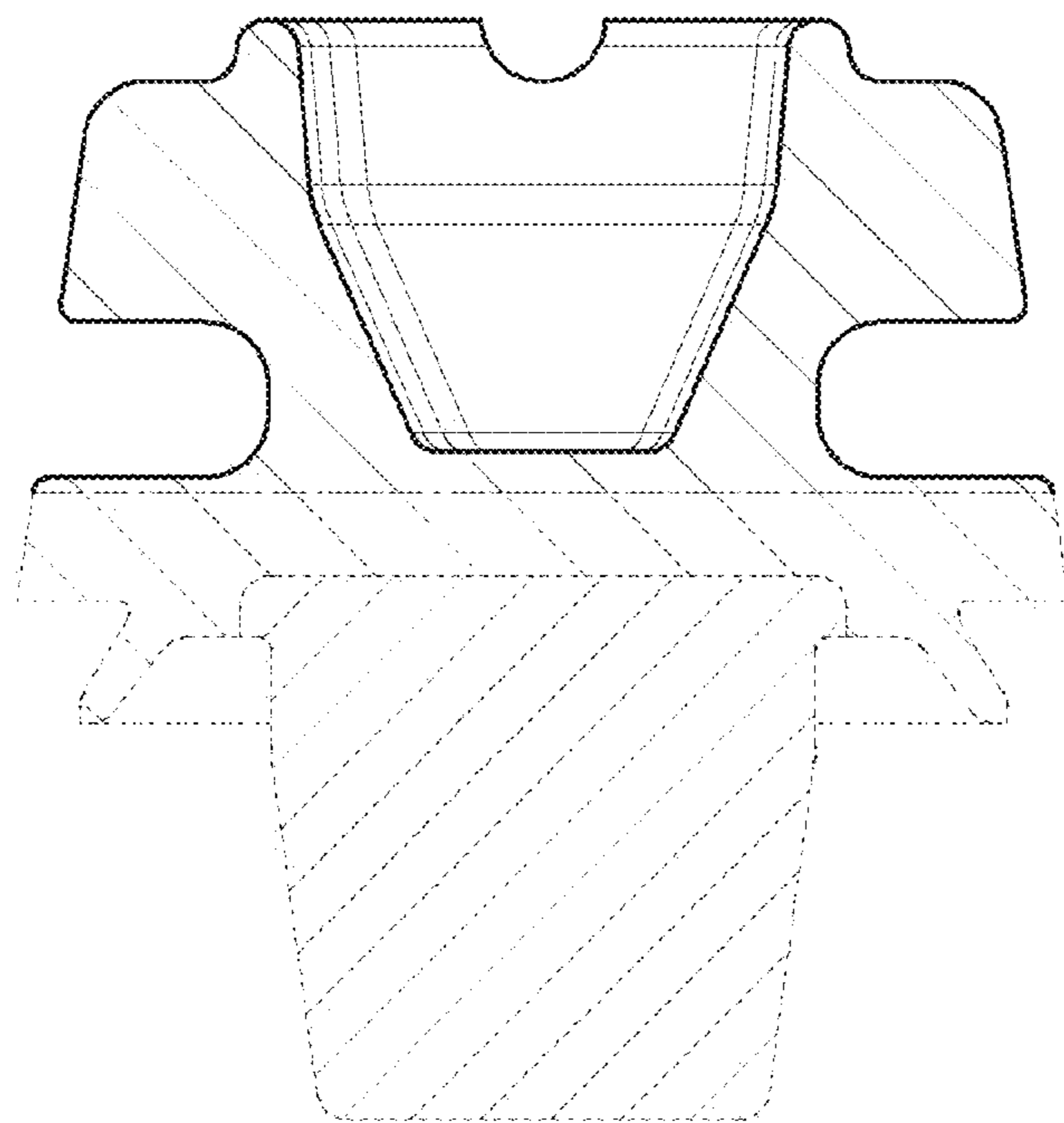


FIG. 7

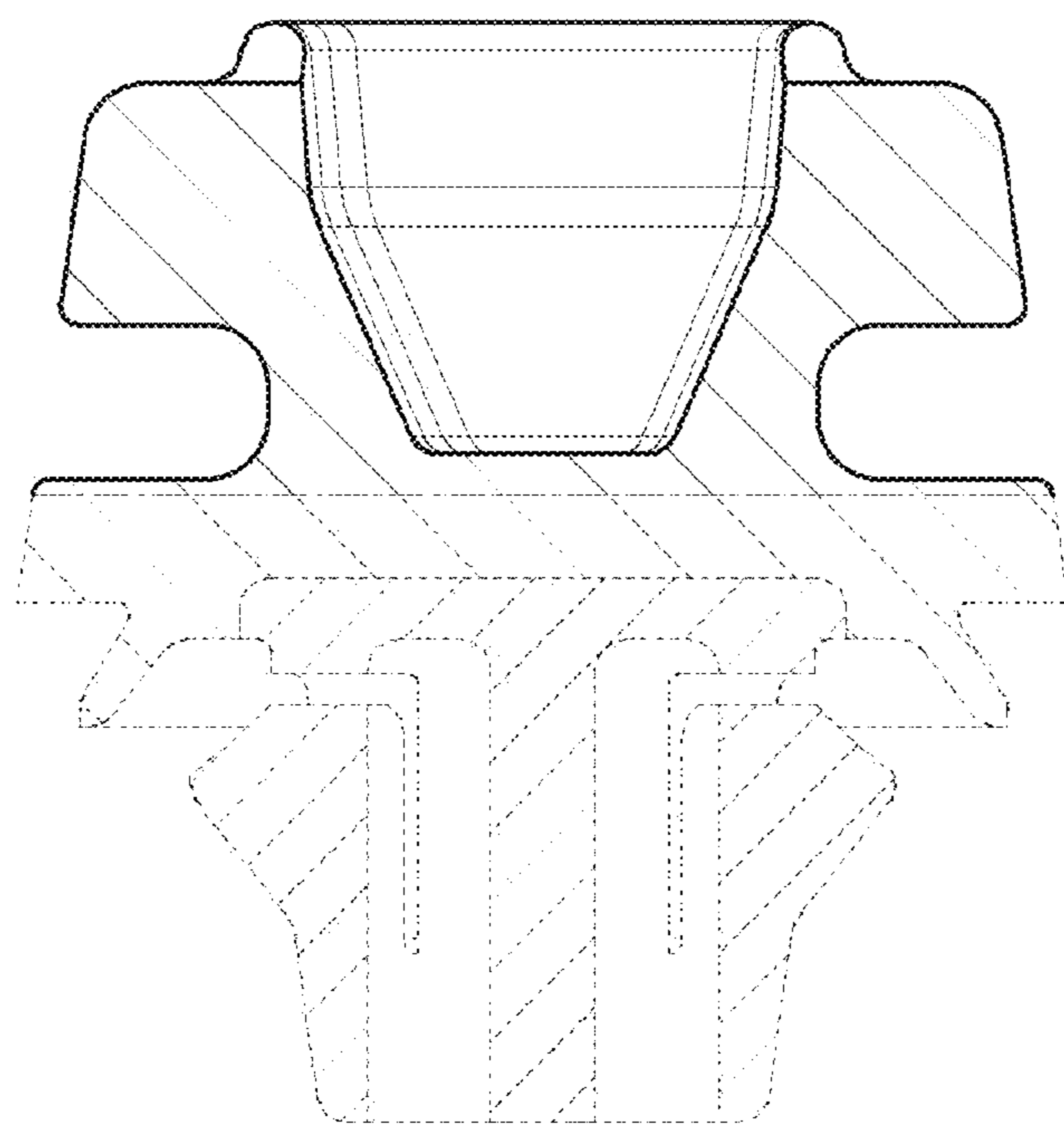


FIG. 8

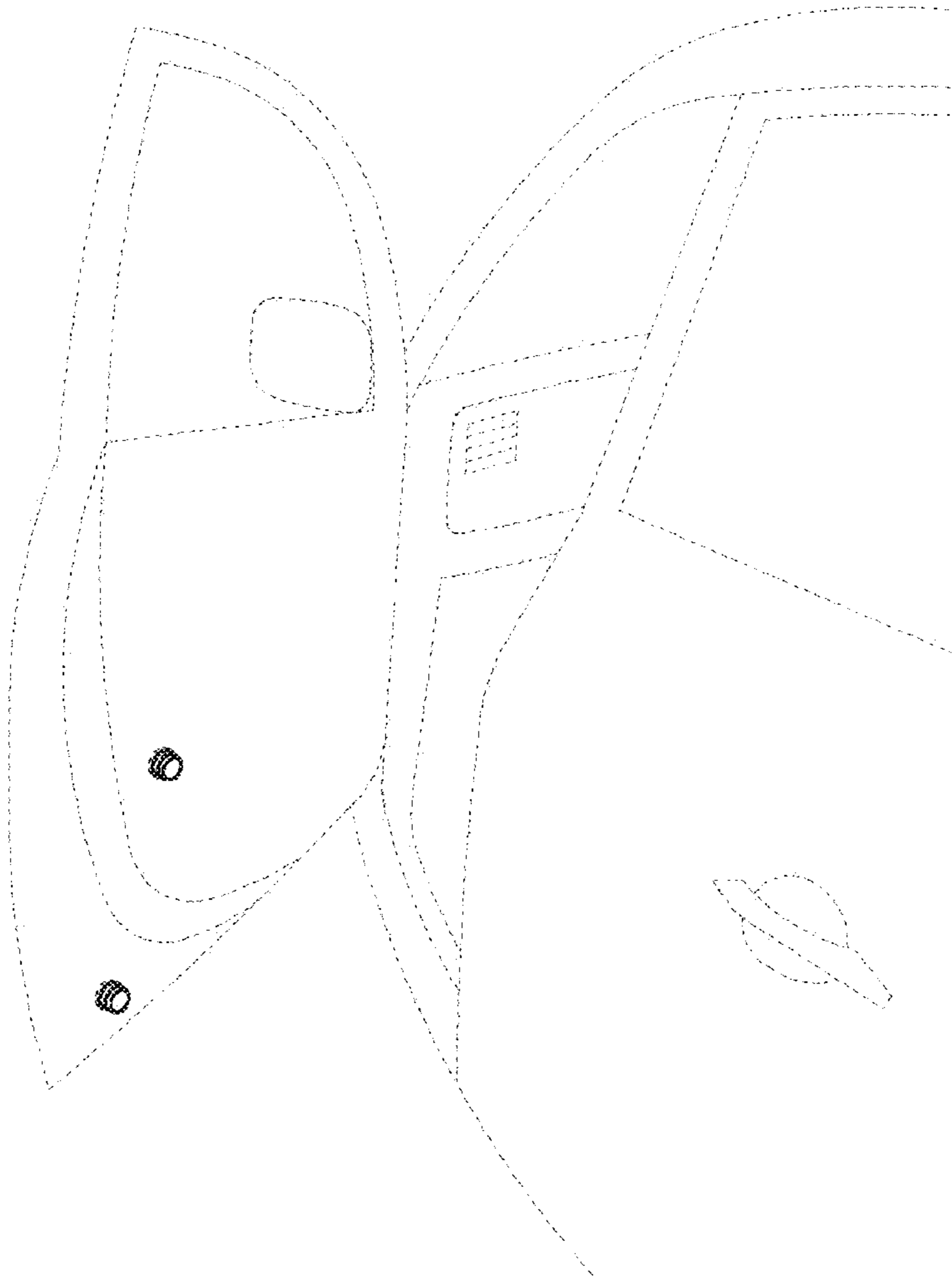


FIG. 9