



US00D723905S

(12) **United States Design Patent**
Fugett

(10) **Patent No.:** **US D723,905 S**
(45) **Date of Patent:** **** Mar. 10, 2015**

(54) **COLLAPSIBLE MOUNTED BRACKET**

(71) Applicant: **Jack Fugett**, Mokena, IL (US)

(72) Inventor: **Jack Fugett**, Mokena, IL (US)

(**) Term: **14 Years**

(21) Appl. No.: **29/481,311**

(22) Filed: **Feb. 4, 2014**

(51) **LOC (10) Cl.** **08-05**

(52) **U.S. Cl.**
USPC **D8/380**

(58) **Field of Classification Search**
USPC D8/380, 349, 354, 381, 373, 367, 355,
D8/363, 382, 374, 339, 376; 224/250, 269,
224/901.4, 930, 242, 246, 669; 52/4, 260,
52/649.1, 649.2, 296; D6/702, 550;
D23/259; 482/16; D12/160; D25/133,
D25/55; D14/238, 251

See application file for complete search history.

(56) **References Cited**

U.S. PATENT DOCUMENTS

342,954 A	6/1886	Ertell
475,243 A	5/1892	Langdon
1,060,186 A	4/1913	Hjorth
1,060,193 A	4/1913	Laro
1,220,758 A	3/1917	Lamphiear
1,442,090 A	1/1923	Page et al.
1,706,887 A	3/1929	Knostman
2,315,566 A	4/1943	Watral et al.
D167,411 S	8/1952	Lester
2,655,268 A	10/1953	Whaley
2,916,158 A	12/1959	Vosbikian et al.
3,233,745 A	2/1966	Hershberger
3,286,850 A	11/1966	Ruhnke
3,425,655 A	2/1969	Cogdill
3,685,662 A	8/1972	Varon et al.
3,941,250 A	3/1976	Ott
3,990,582 A	11/1976	Schindel
D247,085 S	1/1978	Stoddard
4,146,204 A	3/1979	Thalenfeld
4,171,748 A	10/1979	Fabian

D259,228 S	5/1981	Fabian
4,361,241 A	11/1982	Stoddard
D271,546 S	11/1983	Smith
4,448,380 A	5/1984	Huber-Krattiger
4,465,198 A	8/1984	Martin
D276,195 S	11/1984	Smith
4,828,122 A	5/1989	Day
D314,867 S	2/1991	Goodman et al.

(Continued)

Primary Examiner — Robert M Spear

Assistant Examiner — Eliza Bennett-Hattan

(74) *Attorney, Agent, or Firm* — Erin J. Fox; Barnes & Thornburg LLP

(57) **CLAIM**

The ornamental design for a collapsible mounted bracket, as shown and described.

DESCRIPTION

FIG. 1 is a top perspective view of an ornamental design for a collapsible mounted bracket;

FIG. 2 is a front elevational view of the collapsible mounted bracket of FIG. 1;

FIG. 3 is a rear elevational view of the collapsible mounted bracket of FIG. 1, the rear being opposite the front;

FIG. 4 is an elevational view of a first side of the collapsible mounted bracket of FIG. 1;

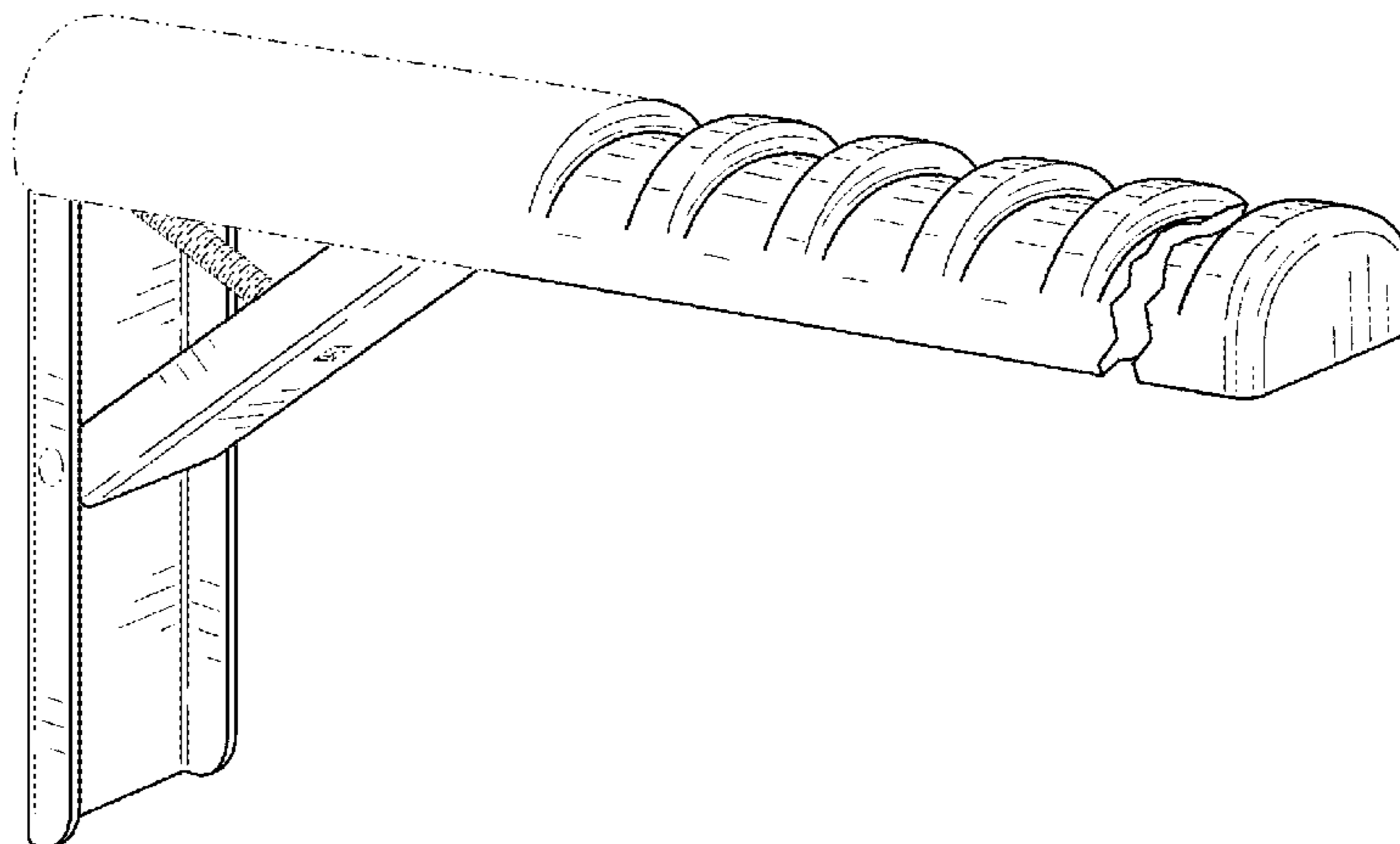
FIG. 5 is an elevational view of a second side of the collapsible mounted bracket of FIG. 1, the second side being opposite the first side;

FIG. 6 is a top plan view of the collapsible mounted bracket of FIG. 1; and,

FIG. 7 is a bottom plan view of the collapsible mounted bracket of FIG. 1.

A horizontal portion of the collapsible mounted bracket is shown with a symbolic break in its length. The appearance of any portion of the article between the break lines forms no part of the claimed design. The lines depicted as dash-dot-dot-dash broken lines in the drawings depict environmental subject matter only and form no part of the claimed design.

1 Claim, 3 Drawing Sheets



(56)

References Cited

U.S. PATENT DOCUMENTS

D315,862 S *	4/1991	Specker, Jr.	D8/380	D419,855 S *	2/2000	Hajek	D8/363
D324,784 S	3/1992	Rose		D464,870 S *	10/2002	Fraser	D8/373
D340,405 S *	10/1993	Anderson	D8/381	D540,585 S	4/2007	Igarashi	
5,775,655 A	7/1998	Schmeets		D553,966 S *	10/2007	Triay	D8/380
5,950,845 A	9/1999	Harris		7,806,280 B1	10/2010	Perkins et al.	
				D639,150 S *	6/2011	Olson et al.	D8/380
				2005/0012006 A1	1/2005	O'Donoghue	

* cited by examiner

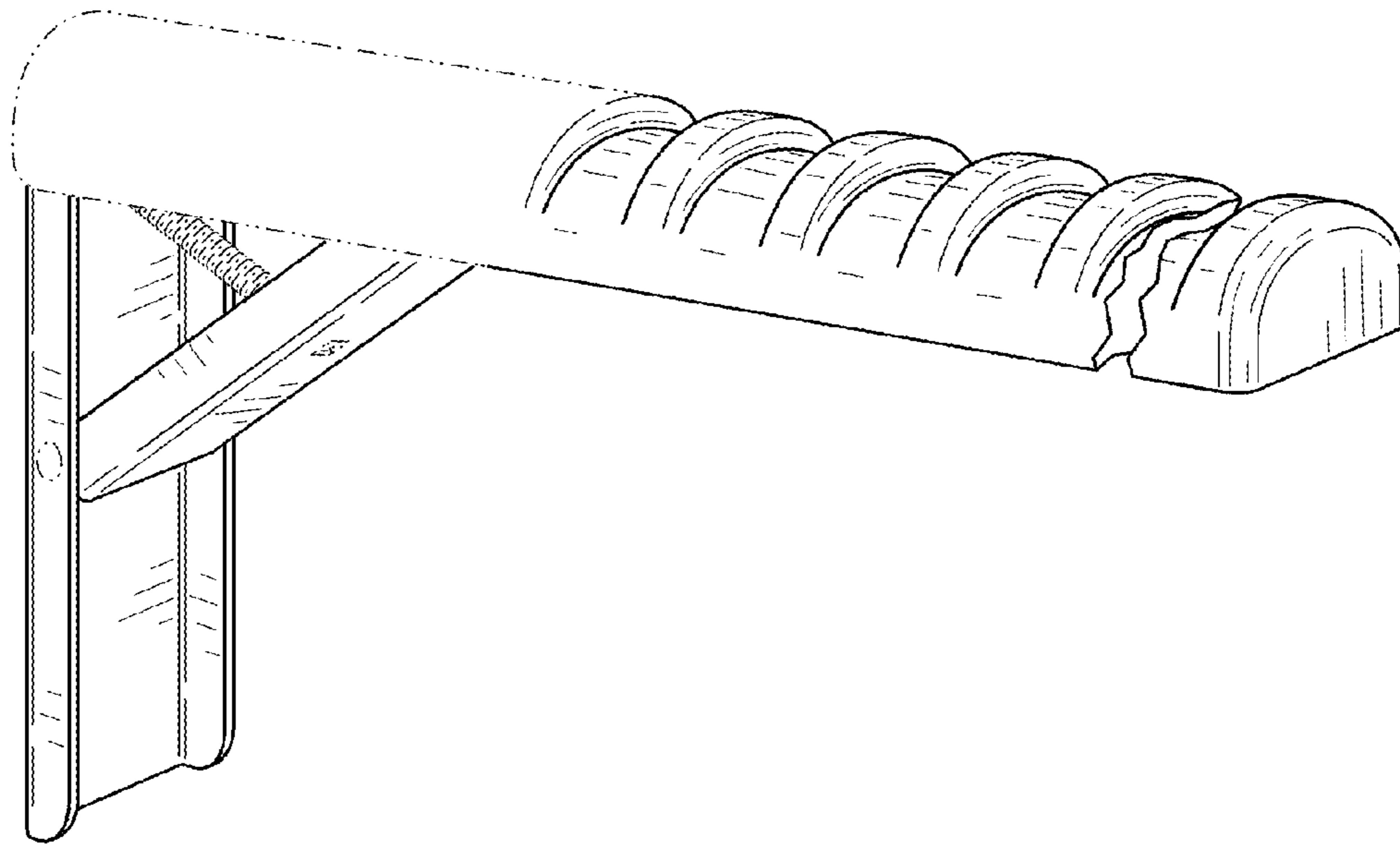


FIG. 1

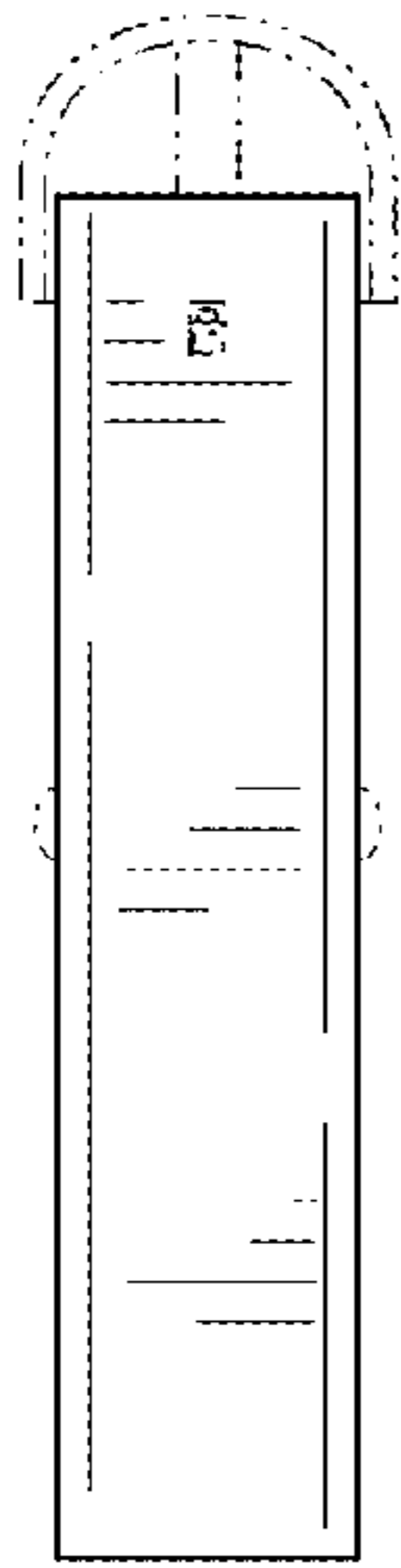


FIG. 2

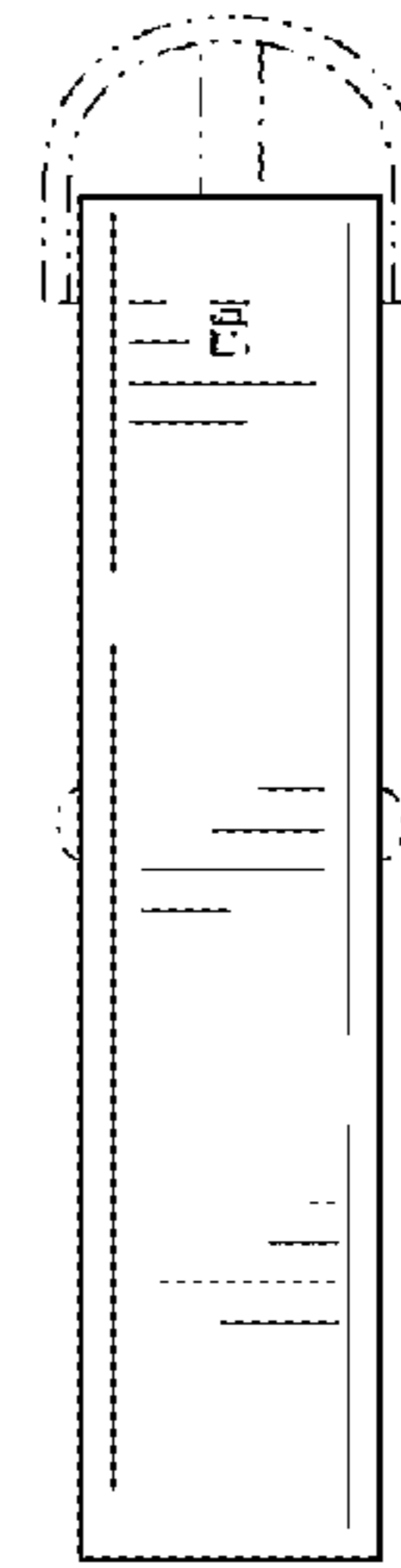


FIG. 3

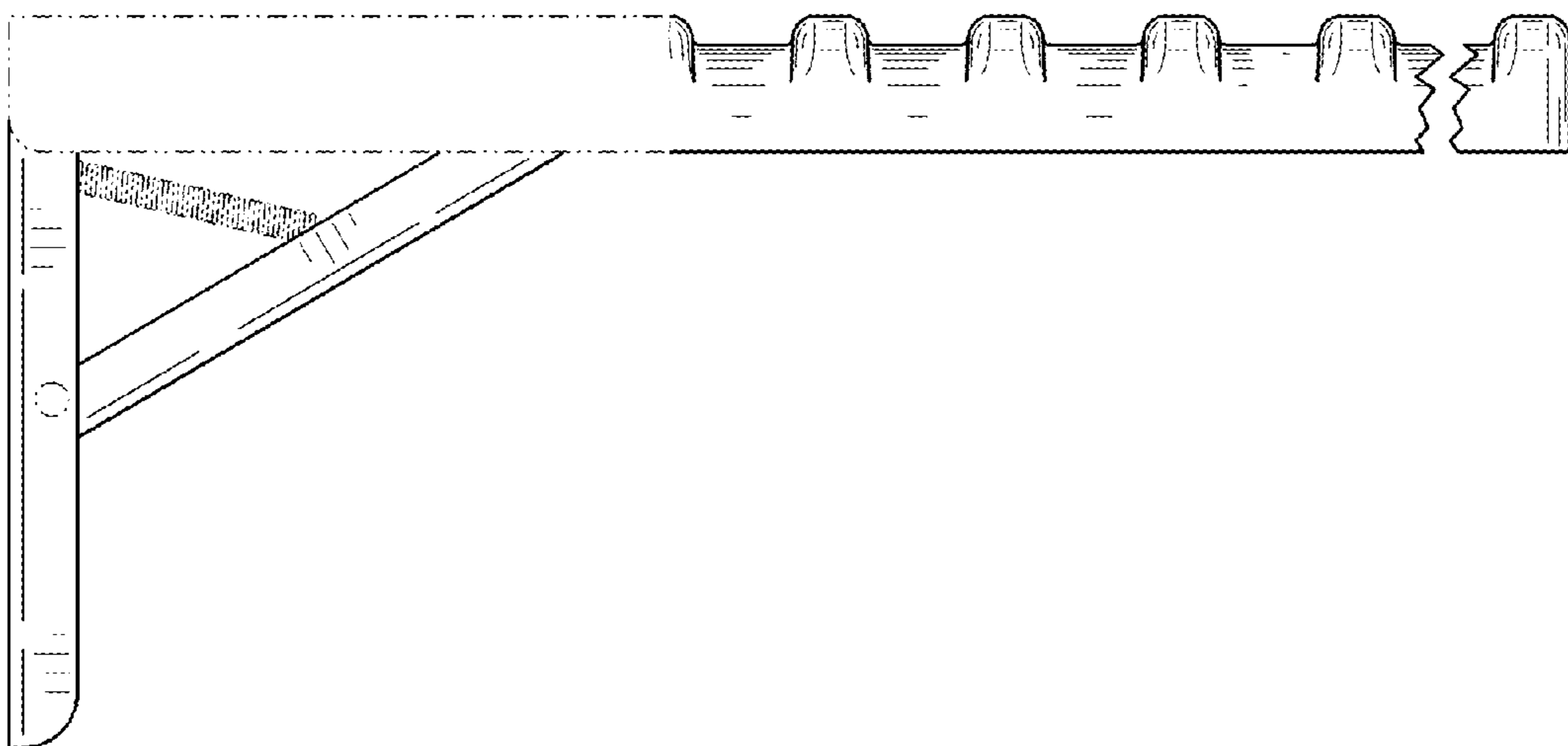


FIG. 4

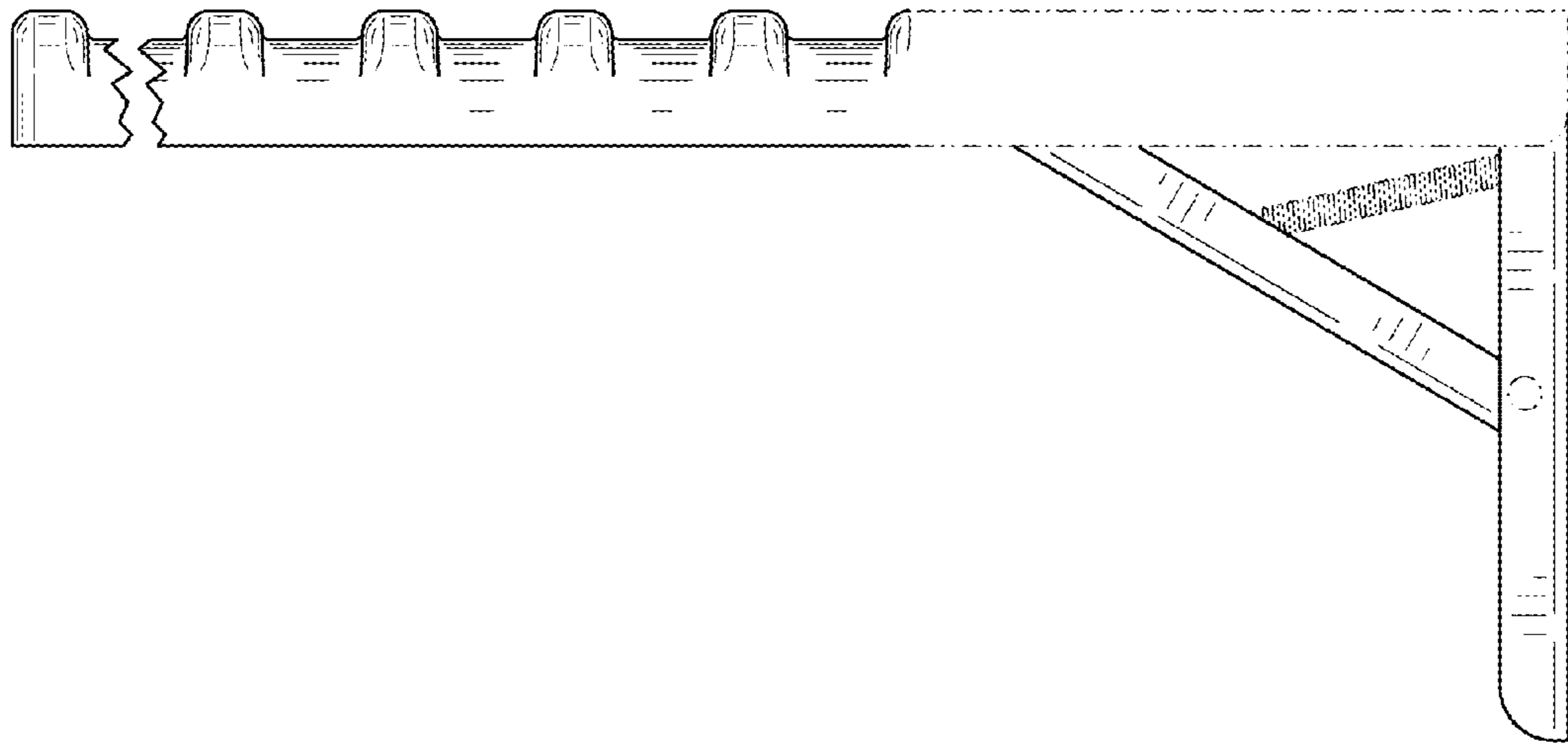


FIG. 5

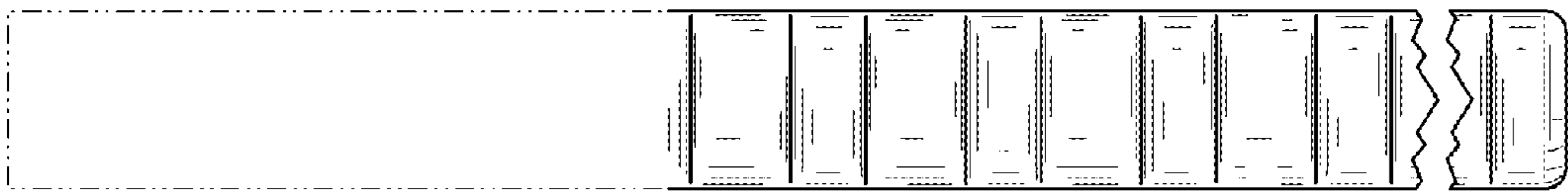


FIG. 6

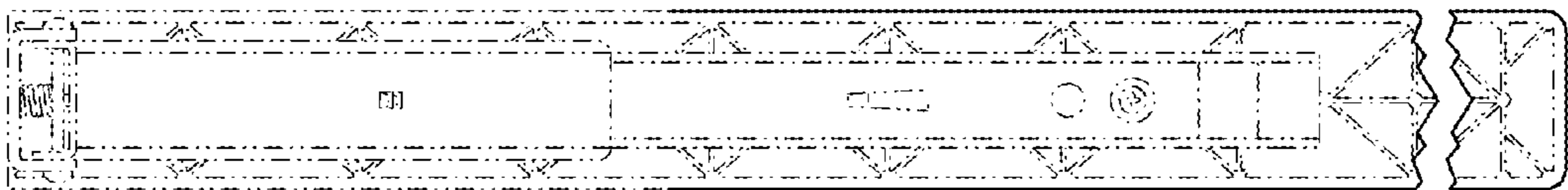


FIG. 7