



US00D723904S

(12) **United States Design Patent**  
**Cave et al.**

(10) **Patent No.:** **US D723,904 S**  
(45) **Date of Patent:** **\*\* Mar. 10, 2015**

- (54) **LOFT FLOORING SYSTEM SUPPORT LEG**
- (71) Applicants: **Piers St. John Spencer Galliard Cave**,  
Woking (GB); **Paul Andrew Godfrey**,  
New Bridge House (GB); **David John Lennan**, London (GB)
- (72) Inventors: **Piers St. John Spencer Galliard Cave**,  
Woking (GB); **Paul Andrew Godfrey**,  
New Bridge House (GB); **David John Lennan**, London (GB)

3,282,054	A	*	11/1966	Saginer	.....	405/262
3,464,753	A	*	9/1969	Van Ryn	.....	297/232
D324,784	S	*	3/1992	Rose	.....	D6/324
D373,718	S	*	9/1996	Rondeau	.....	D8/349
5,562,051	A	*	10/1996	Rizzi	.....	108/132
D471,291	S	*	3/2003	Ammons	.....	D25/131
D473,123	S	*	4/2003	Anderson	.....	D8/354
D490,697	S	*	6/2004	Runnalls	.....	D8/380
8,550,012	B2	*	10/2013	Rogers et al.	.....	108/132

(\*\*) Term: **14 Years**

(21) Appl. No.: **29/446,394**

(22) Filed: **Feb. 22, 2013**

(51) **LOC (10) Cl.** ..... **08-05**

(52) **U.S. Cl.**  
USPC ..... **D8/380**

(58) **Field of Classification Search**  
USPC ..... D8/380, 349, 354, 381, 373, 367, 355,  
D8/363, 382, 374, 339, 376; 119/705;  
52/4, 260, 649.1, 649.2, 296; D6/702,  
D6/550; D23/259; 482/16; D12/160;  
D25/133; D14/238, 251; 224/250, 269,  
224/901.4, 930, 242, 246, 669  
See application file for complete search history.

(56) **References Cited**

**U.S. PATENT DOCUMENTS**

441,569	A	*	11/1890	Ladd	.....	5/313.1
2,657,963	A	*	11/1953	Fox	.....	248/439

\* cited by examiner

*Primary Examiner* — Robert M Spear

*Assistant Examiner* — Eliza Benett-Hattan

(74) *Attorney, Agent, or Firm* — Invention To Patent Services; Alex Hobson

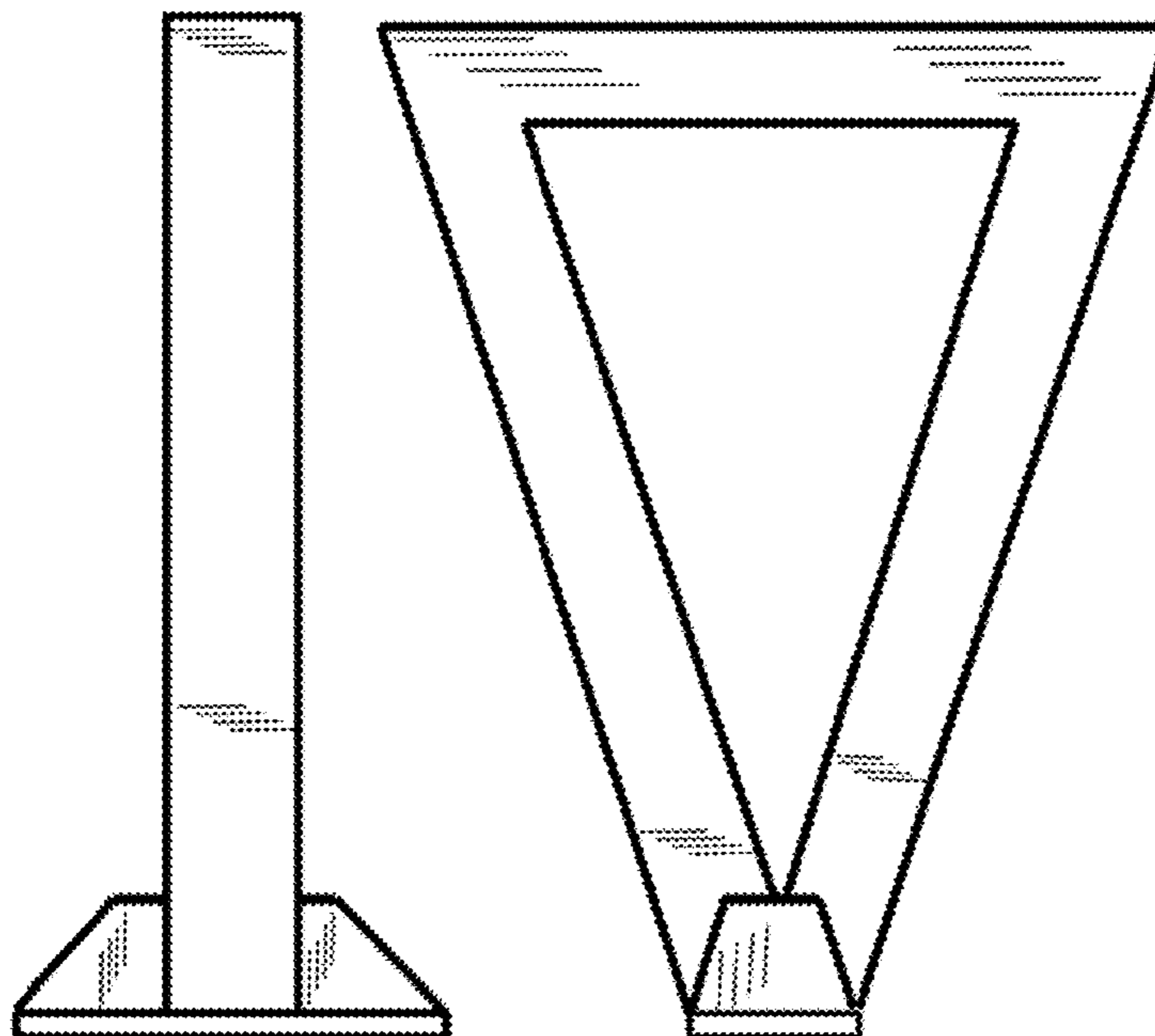
(57) **CLAIM**

The ornamental design for a loft flooring system support leg, as shown and described.

**DESCRIPTION**

FIG. 1 is a front view of a loft flooring system support leg; FIG. 2 is a side view of a loft flooring system support leg; FIG. 3 is a top down view of a loft flooring system support leg; and, FIG. 4 is an isometric view of two loft flooring system support legs configured on joist and having a spanning element configured from the top of one loft flooring system support leg to the other loft flooring system support leg. The joists and spanning elements shown in FIG. 4 are shown in broken lines for the purposes of illustrating environmental structure and form no part of the claimed invention.

**1 Claim, 3 Drawing Sheets**



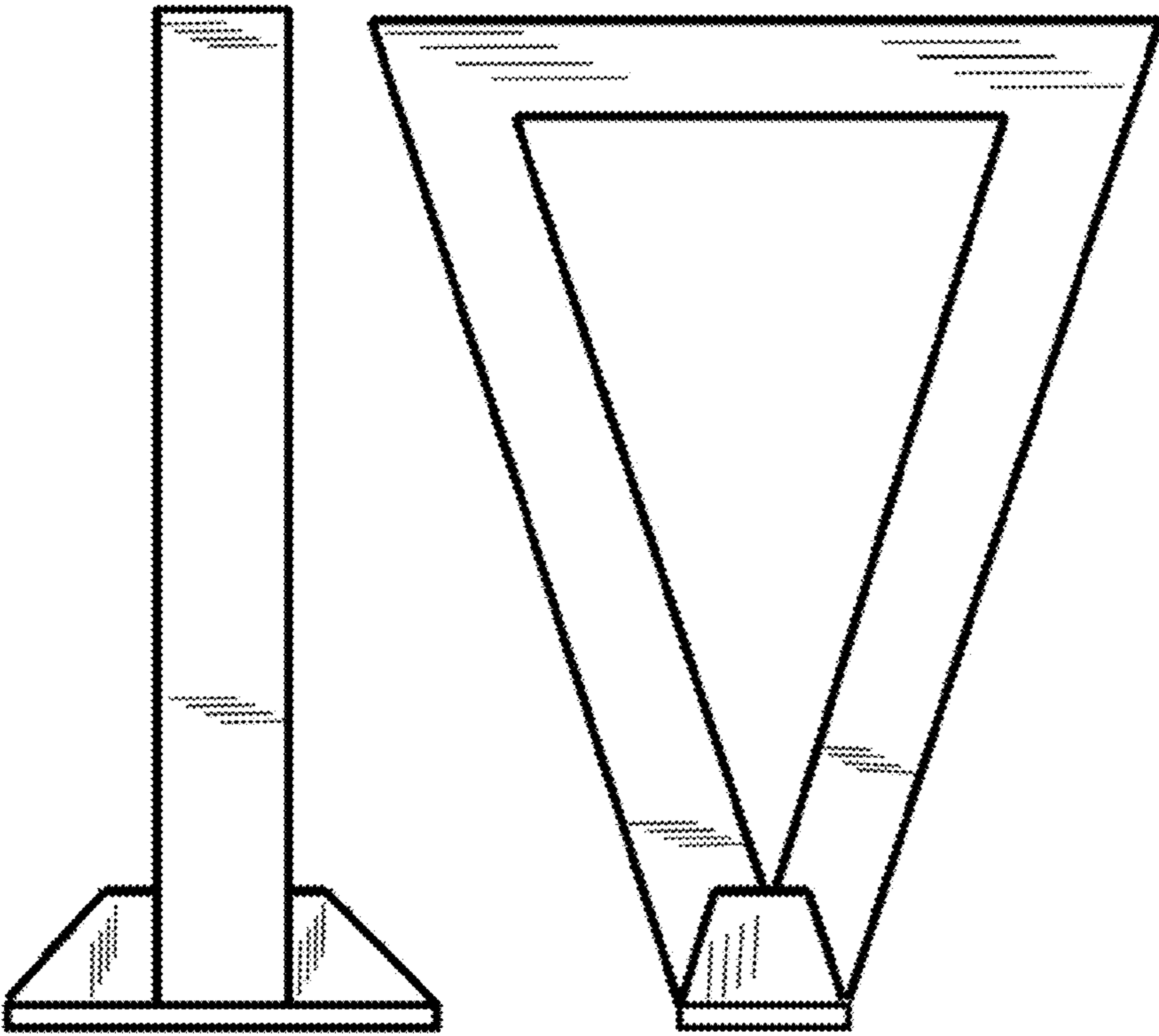


FIG. 2

FIG. 1

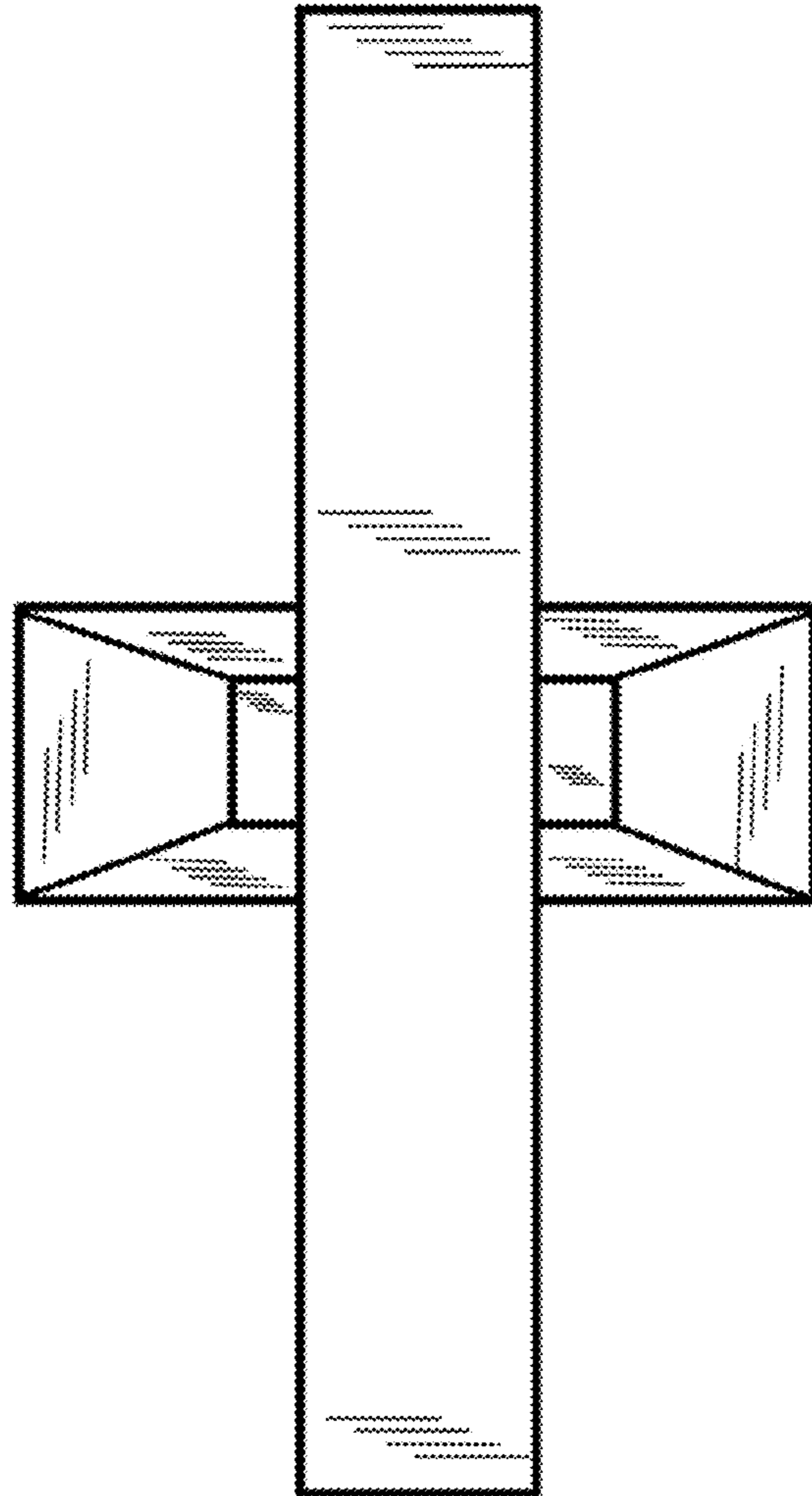


FIG. 3

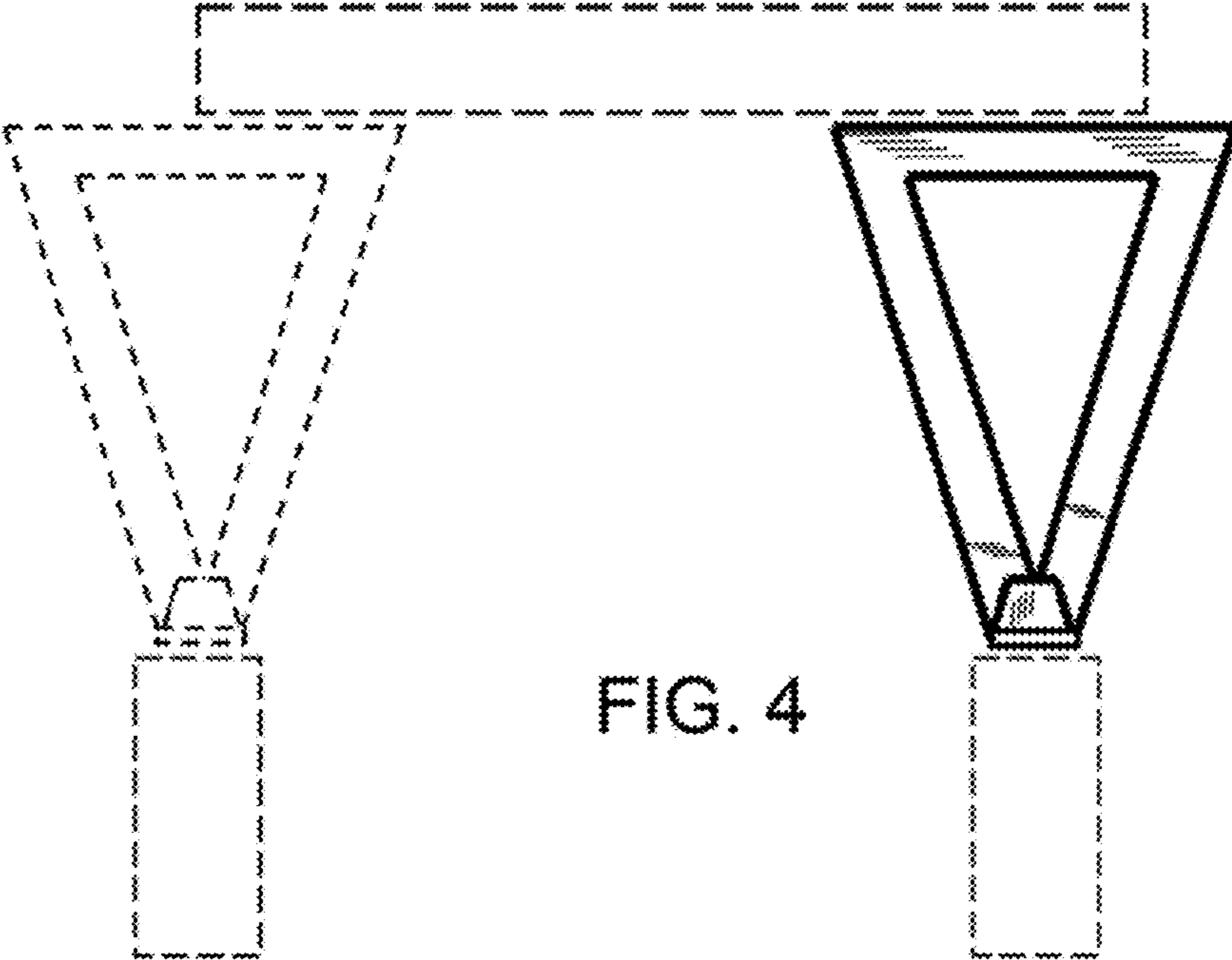


FIG. 4