



US00D723902S

(12) **United States Design Patent**
Wongso

(10) **Patent No.:** **US D723,902 S**
(45) **Date of Patent:** **** Mar. 10, 2015**

(54) **ROTATING RING**

(76) Inventor: **Sukeny Wongso**, Fresh Meadows, NY
(US)

(**) Term: **14 Years**

(21) Appl. No.: **29/421,137**

(22) Filed: **May 30, 2012**

(51) **LOC (10) Cl.** **08-05**

(52) **U.S. Cl.**
USPC **D8/349**

(58) **Field of Classification Search**
USPC D8/14, 330, 349, 350, 352, 354, 355,
D8/356, 367, 382, 383, 395; D23/205,
D23/260; 248/58, 62, 72, 74.1, 229, 231,
248/300, 499; 24/115 R, 129 R, 129 D, 343;
174/153 G
See application file for complete search history.

(56) **References Cited**

U.S. PATENT DOCUMENTS

2,468,035	A	*	4/1949	Carroll	248/58
3,397,280	A	*	8/1968	Klumpp, Jr.	174/153 G
3,539,138	A	*	11/1970	Desroches	248/62
D248,367	S	*	7/1978	Haft	D8/356
D257,321	S	*	10/1980	Voorhees, Jr.	D8/356
D260,730	S	*	9/1981	Fujita	D8/356
D310,017	S	*	8/1990	Matthews	D8/356
D313,340	S	*	1/1991	Stathis et al.	D8/356
5,007,604	A	*	4/1991	Richards	248/62

D324,488	S	*	3/1992	Fujimoto	D8/356
D324,644	S	*	3/1992	Jacobs	D8/356
D329,196	S	*	9/1992	Schor	D8/373
D360,820	S	*	8/1995	Haase	D8/356
D361,711	S	*	8/1995	Plumley	D8/356
D375,450	S	*	11/1996	Bidwell et al.	D8/356
D379,755	S	*	6/1997	Kass	D8/354
D383,050	S	*	9/1997	Palmer	D8/354
D453,102	S	*	1/2002	Postelwait	D8/349
D505,603	S	*	5/2005	Chang	D8/14
D600,530	S	*	9/2009	Caudell et al.	D8/330
D632,544	S	*	2/2011	Garcia et al.	D8/349
D654,151	S	*	2/2012	Nease et al.	D23/260

* cited by examiner

Primary Examiner — Karen S Acker
Assistant Examiner — Bao-Yen Nguyen
(74) *Attorney, Agent, or Firm* — Richard John Bartz

(57) **CLAIM**

The ornamental design for a rotating ring, as shown and described.

DESCRIPTION

FIG. 1 is a perspective view of the rotating ring of my new design;
FIG. 2 is a rear elevational view thereof;
FIG. 3 is a front elevational view thereof;
FIG. 4 is a top plan view thereof;
FIG. 5 is a bottom plan view thereof;
FIG. 6 is a side elevational view of the right side thereof; and,
FIG. 7 is a side elevational view of the left side thereof.

1 Claim, 2 Drawing Sheets

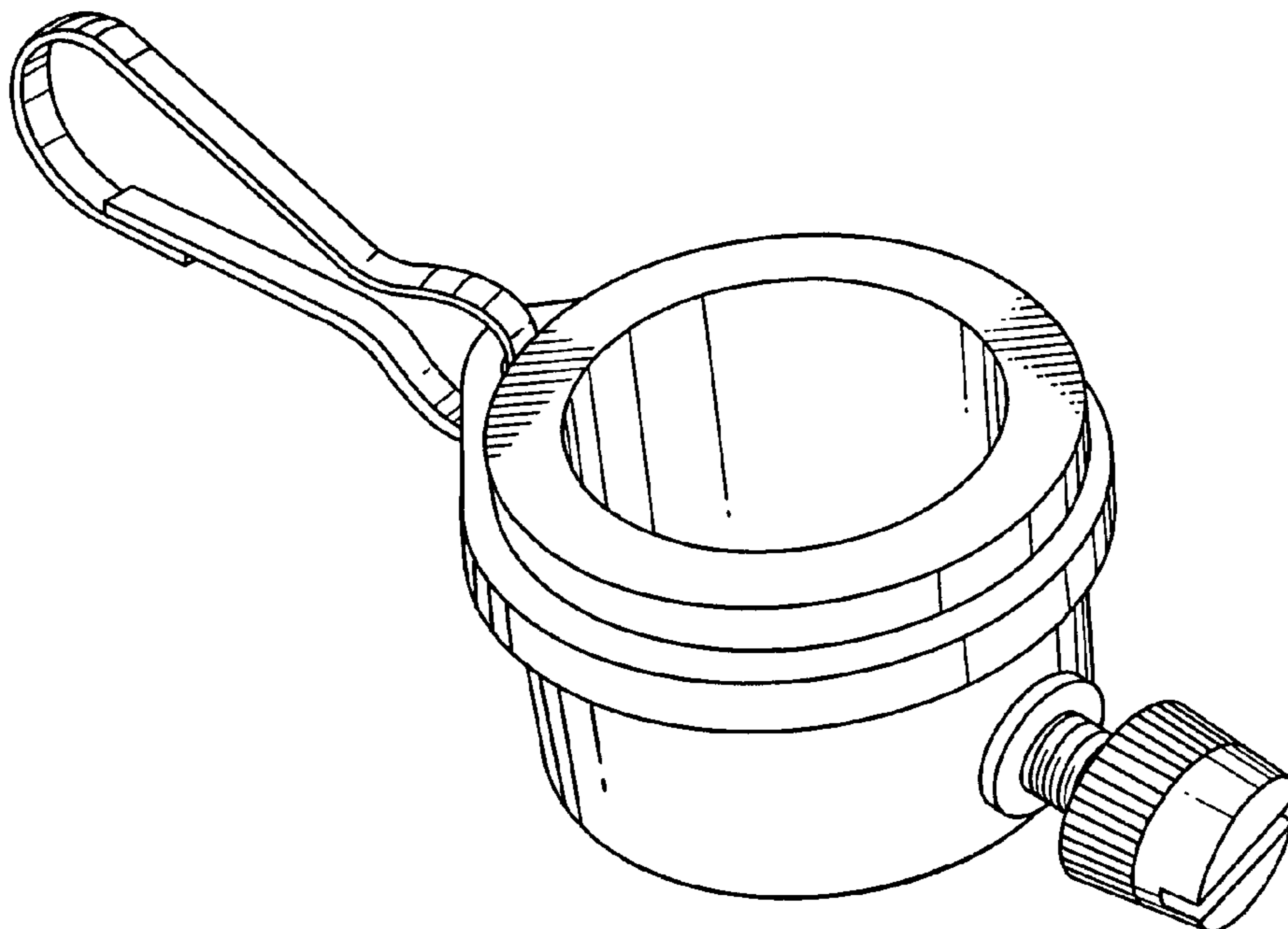


Fig. 1

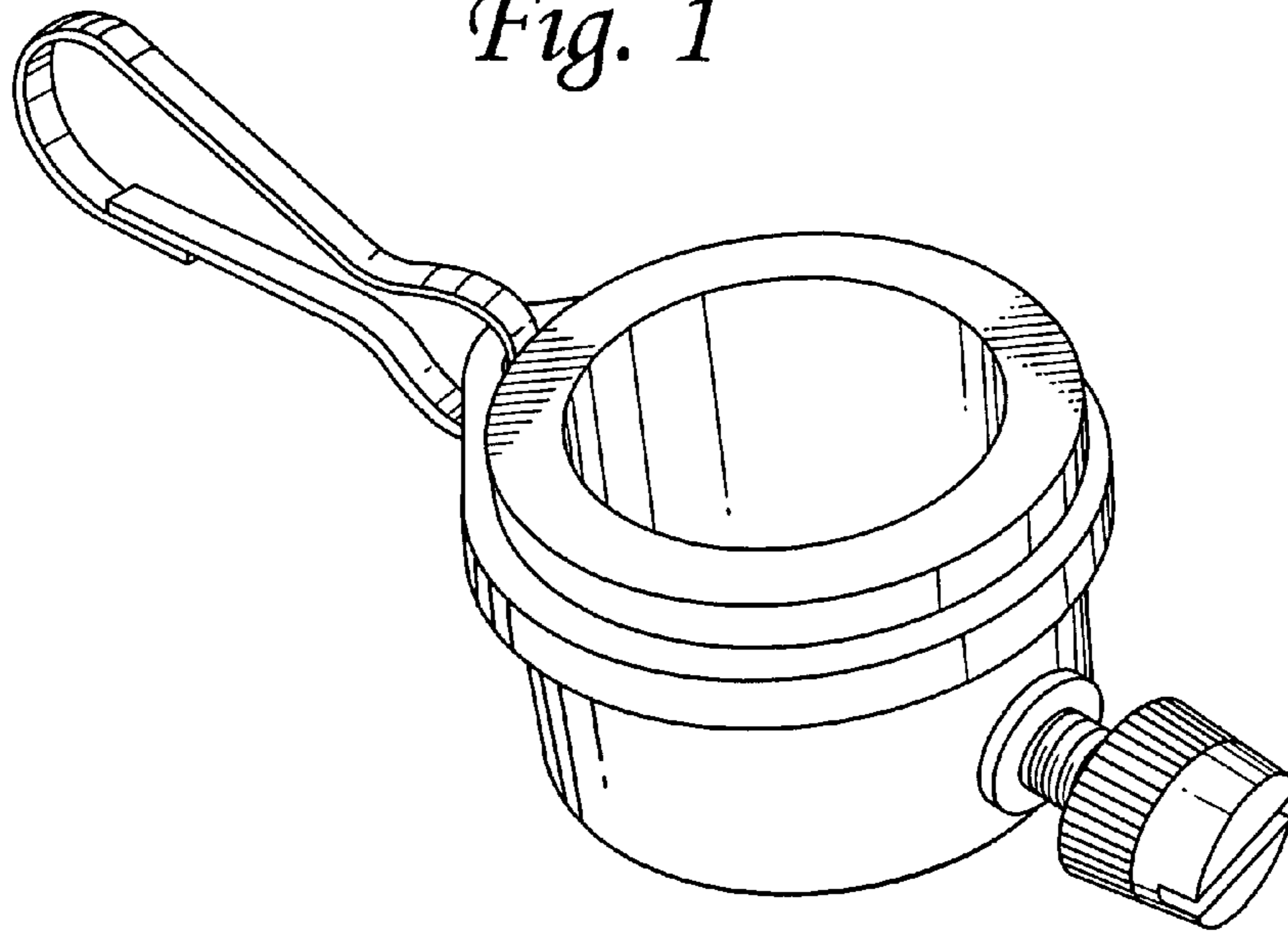


Fig. 2

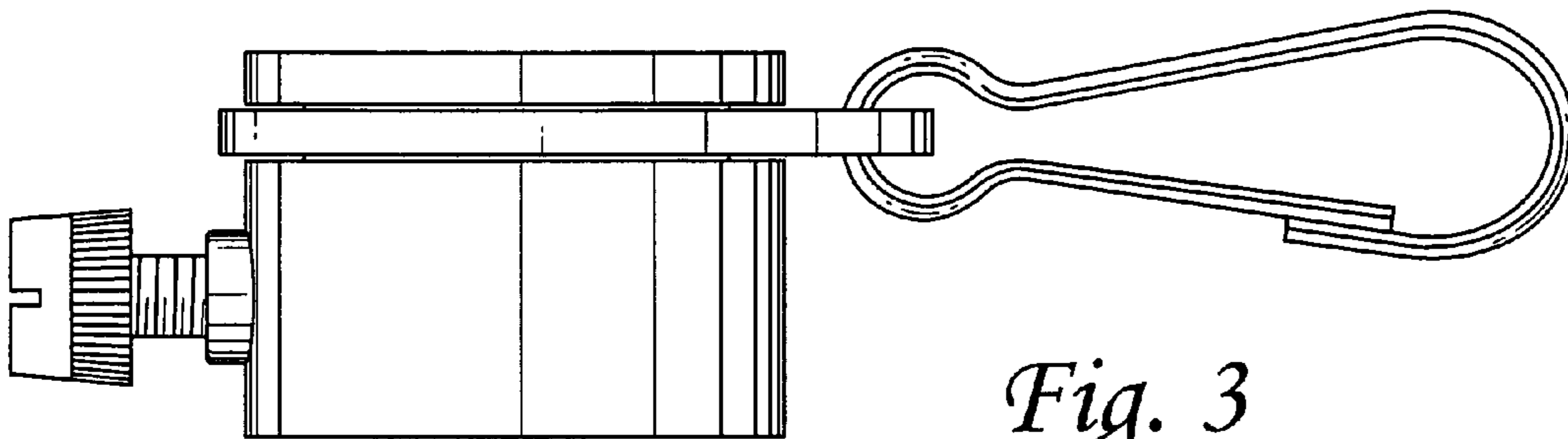


Fig. 3

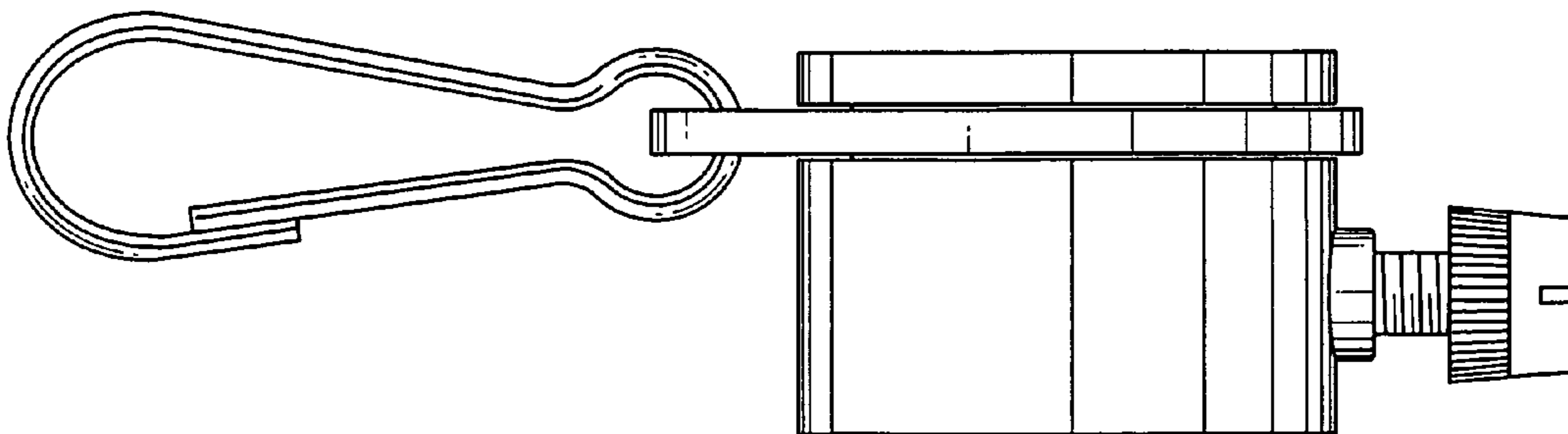


Fig. 4

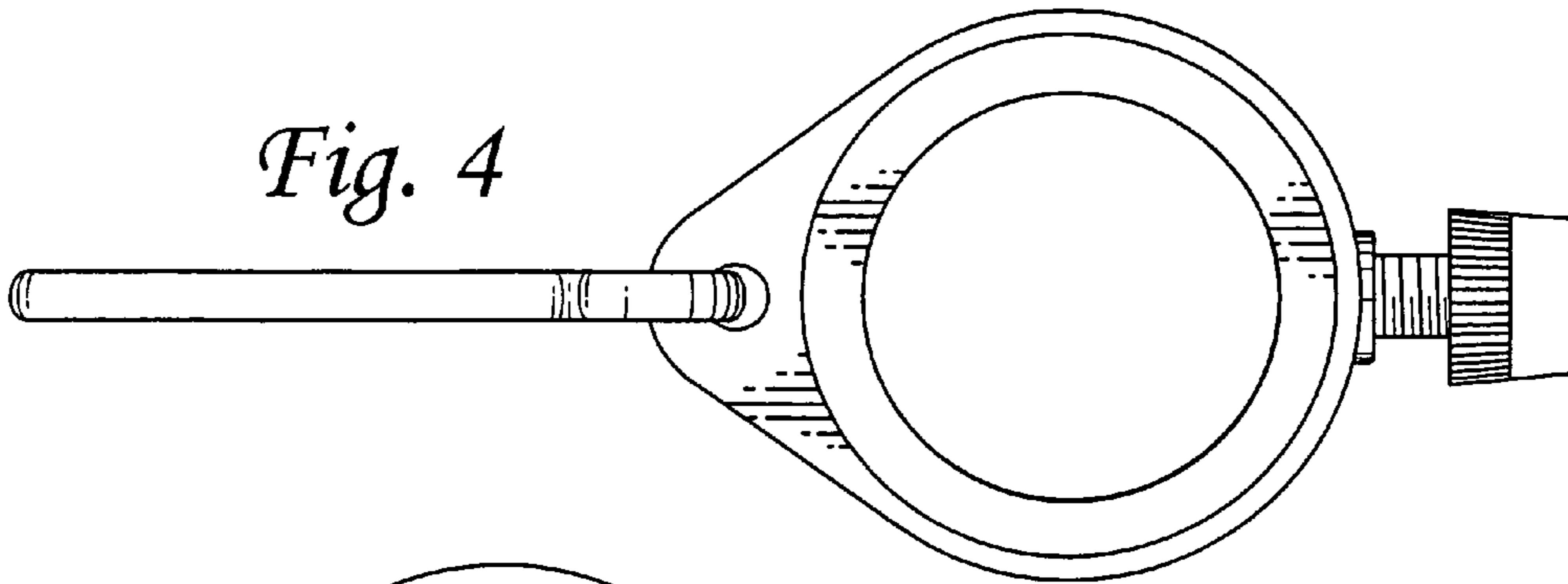


Fig. 5

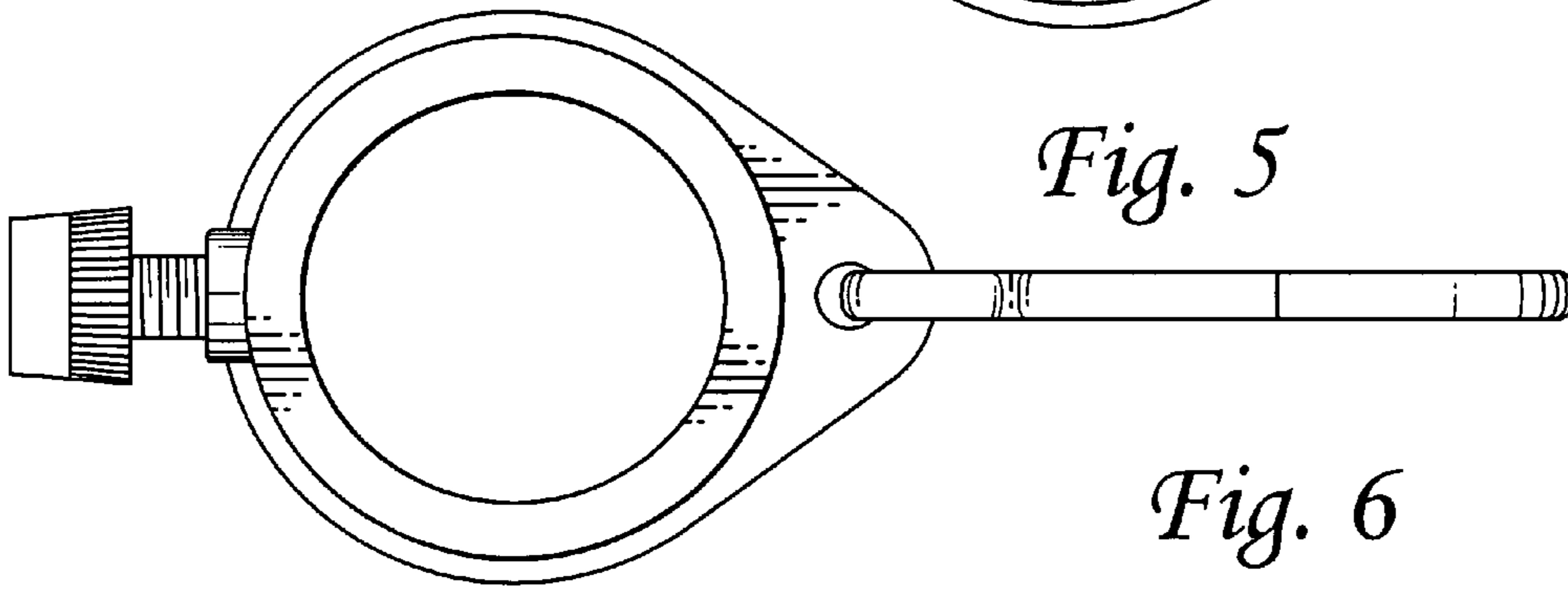


Fig. 6

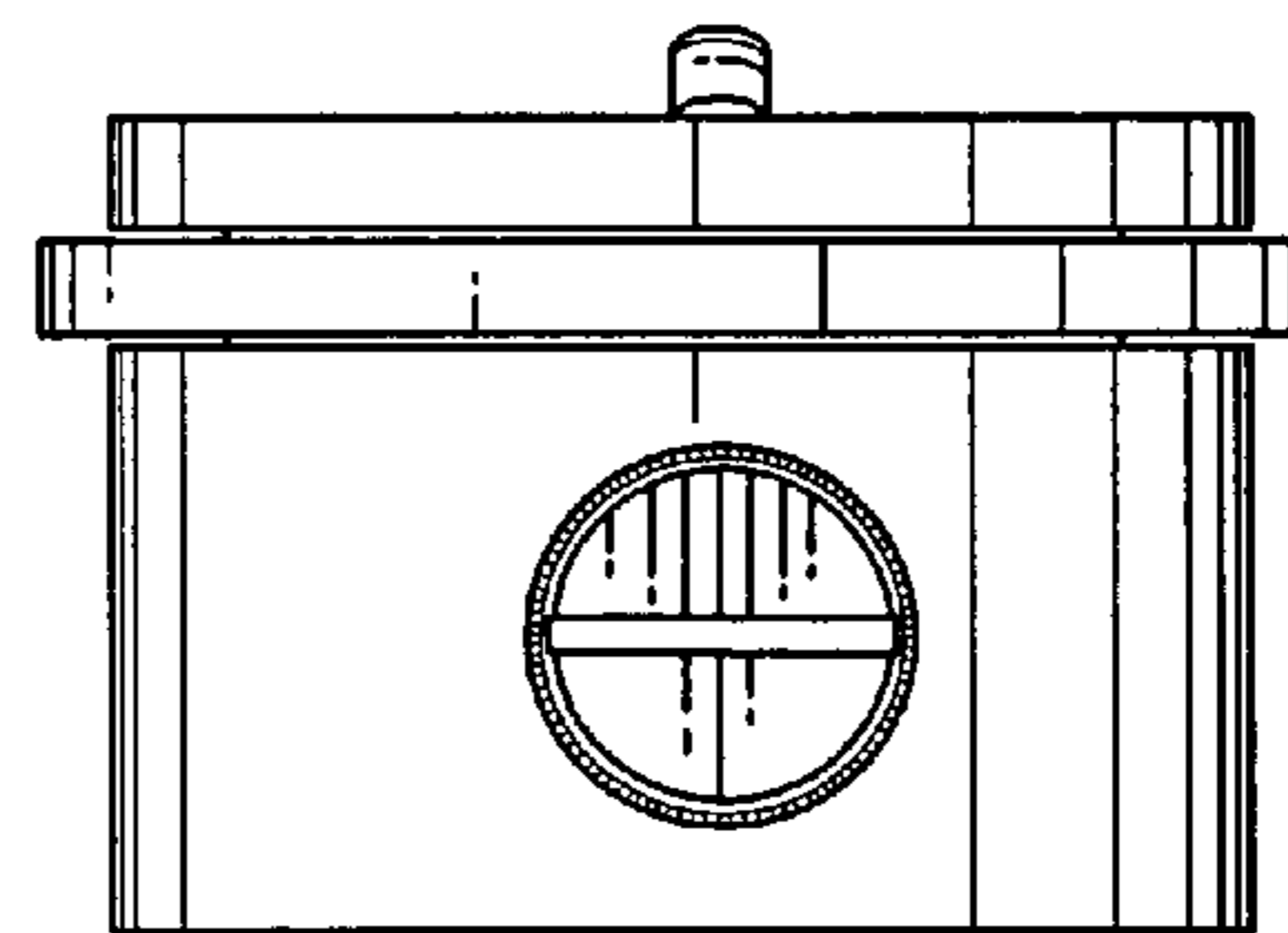


Fig. 7

