



US00D723899S

(12) **United States Design Patent**
Singh et al.

(10) **Patent No.:** **US D723,899 S**
(45) **Date of Patent:** **** Mar. 10, 2015**

(54) **GRAB HANDLE**

(71) Applicant: **SABIC Innovative IP B.V.**, Bergen op Zoom (NL)
(72) Inventors: **Yugandhara Singh**, Bangalore (IN); **Anil Tiwari**, Bangalore (IN)
(73) Assignee: **SABIC Global Technologies B.V.** (NL)
(**) Term: **14 Years**

Primary Examiner — Derrick Holland
(74) *Attorney, Agent, or Firm* — Cantor Colburn LLP

(21) Appl. No.: **29/443,752**

(22) Filed: **Jan. 22, 2013**

(30) **Foreign Application Priority Data**

Jul. 23, 2012 (IN) 246669
Jul. 23, 2012 (IN) 246670

(51) **LOC (10) Cl.** **08-06**

(52) **U.S. Cl.**
USPC **D8/107**

(58) **Field of Classification Search**
USPC D8/107, 1, 10, 51, 72, 300, 303, 307,
D8/360; D3/318; D15/28; D34/28, 33, 35;
190/115; 294/27.1, 51, 57, 58, 59,
294/81.1, 81.6
See application file for complete search history.

(56) **References Cited**

U.S. PATENT DOCUMENTS

4,073,036 A 2/1978 Bustin
D258,054 S * 1/1981 Ellis D34/33

(Continued)

FOREIGN PATENT DOCUMENTS

CA 2021988 2/1991
CN 200974492 Y 11/2007

(Continued)

OTHER PUBLICATIONS

Korean Patent No. 101130027 (B1); Publication Date: Mar. 26, 2012;
Abstract Only; 1 Page.

(Continued)

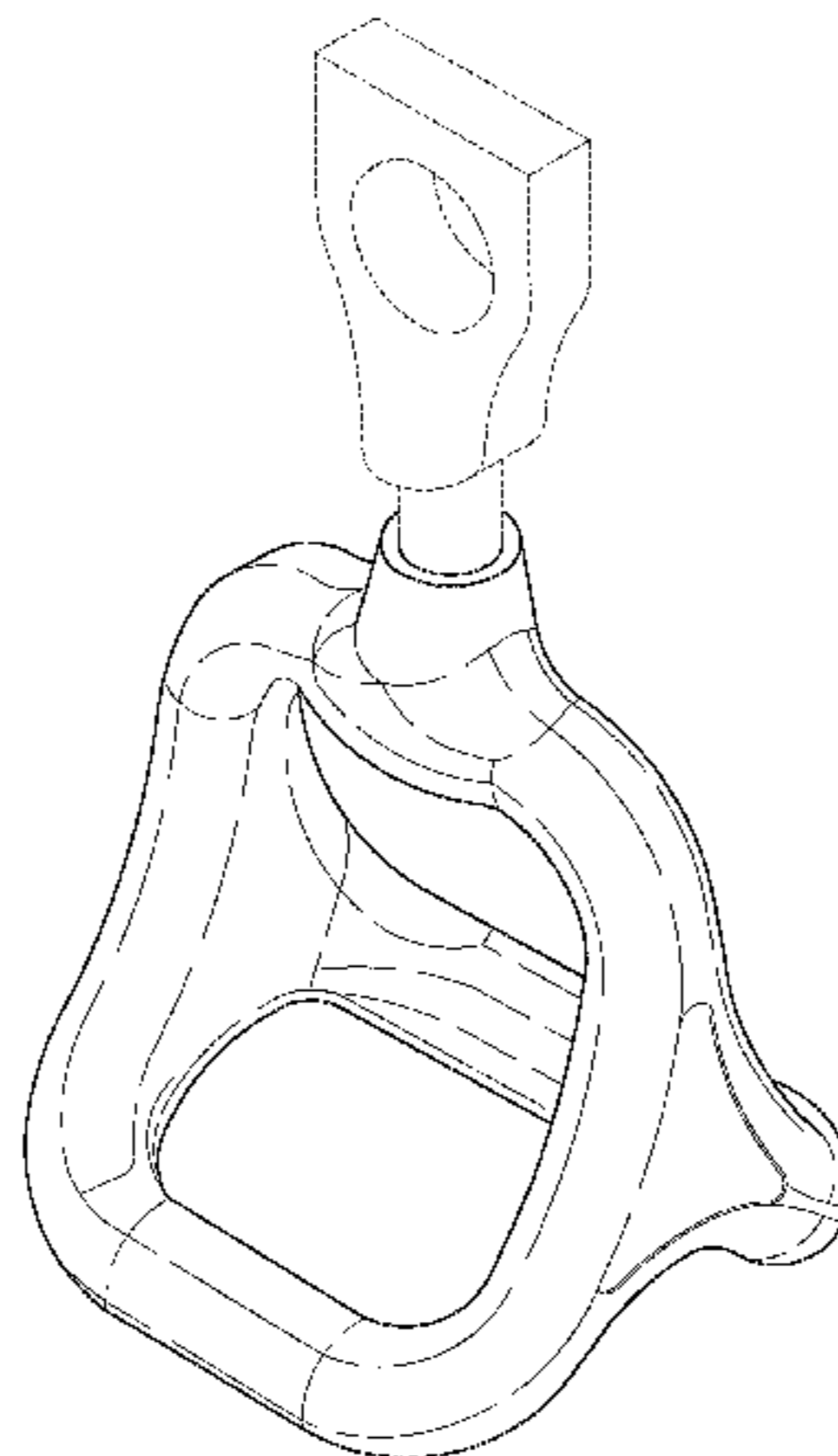
(57) **CLAIM**

We claim, the ornamental design for a grab handle, as shown and described.

DESCRIPTION

FIG. 1 is a front perspective view of a grab handle, showing an embodiment of our new design;
FIG. 2 is a top plan view of the embodiment shown in FIG. 1;
FIG. 3 is a right elevation view of the embodiment shown in FIG. 1;
FIG. 4 is a front elevation view of the embodiment shown in FIG. 1;
FIG. 5 is a rear elevation view of the embodiment shown in FIG. 1;
FIG. 6 is a left elevation view of the embodiment shown in FIG. 1; and
FIG. 7 is a bottom plan view of the embodiment shown in FIG. 1;
FIG. 8 is a front perspective view of a grab handle, showing another embodiment of our new design;
FIG. 9 is a top plan view of the embodiment shown in FIG. 8;
FIG. 10 is a right elevation view of the embodiment shown in FIG. 8;
FIG. 11 is a front elevation view of the embodiment shown in FIG. 8;
FIG. 12 is a rear elevation view of the embodiment shown in FIG. 8;
FIG. 13 is a left elevation view of the embodiment shown in FIG. 8; and
FIG. 14 is a bottom plan view of the embodiment shown in FIG. 8.
The broken lines shown represent unclaimed subject matter and form no part of the claimed design.

1 Claim, 6 Drawing Sheets



(56)

References Cited

U.S. PATENT DOCUMENTS

D268,323	S	*	3/1983	Schaumloffel	D8/397
5,257,843	A		11/1993	Nunn	
D361,495	S		8/1995	Warshawsky	
D367,633	S		3/1996	Monette et al.	
D374,394	S	*	10/1996	Lynch et al.	D8/400
D380,956	S		7/1997	Collins	
D398,125	S		9/1998	Rekuc et al.	
D405,861	S		2/1999	Klimenko	
D418,803	S		1/2000	Klimenko	
D463,124	S	*	9/2002	Godshaw et al.	D3/318
D466,786	S		12/2002	Bourgeois et al.	
D483,462	S		12/2003	Teskey	
D514,132	S	*	1/2006	Chosei	D15/28
D521,418	S		5/2006	Lee	
D542,998	S		5/2007	Chang	
D557,101	S	*	12/2007	Grishaber	D8/107
D610,325	S	*	2/2010	Betzler	D34/33
D611,321	S	*	3/2010	Boies et al.	D8/107
7,896,417	B2		3/2011	Gupta	
7,905,530	B2		3/2011	Browne et al.	
7,988,115	B2		8/2011	Lee et al.	
8,052,188	B2		11/2011	Chernoff et al.	
2012/0153683	A1		6/2012	Glaser et al.	

FOREIGN PATENT DOCUMENTS

CN	101380912	A	3/2009
CN	201279774	Y	7/2009
CN	201881944	U	6/2011

CN	201914145	U	8/2011
EP	1222091	B1	5/2006
JP	57033034	A	2/1982
KR	1020100057175	A	5/2010
KR	101130027	B1	3/2012
WO	2008089991	A1	7/2008
WO	2008109791	A1	9/2008
WO	2009041768	A2	4/2009
WO	2011138660	A1	11/2011

OTHER PUBLICATIONS

International Publication No. 2008089991 (A1); Publication Date: Jul. 31, 2008; Abstract Only; 1 Page.

Chinese Patent No. 200974492 (Y); Publication Date: Nov. 14, 2007; Abstract Only; 1 Page.

Chinese Patent No. 201279774 (Y); Publication Date: Jul. 29, 2009; Abstract Only; 1 Page.

Chinese Patent No. 201914145 (U); Publication Date: Aug. 3, 2011; Abstract Only; 1 Page.

Chinese Patent No. 101380912 (A); Publication Date: Mar. 11, 2009; Abstract Only; 1 Page.

Korean Patent No. 1020100057175 (A); Publication Date: May 31, 2010; Abstract Only; 1 Page.

Chinese Patent No. 201881944 (U); Publication Date: Jun. 29, 2011; Abstract Only; 1 Page.

International Search Report for Application No. PCT/IB2013/059800; Date of Mailing: Jan. 31, 2014; 6 pages.

Written Opinion of the International Searching for Application No. PCT/IB2013/059800; Date of Mailing: Jan. 31, 2014; 5 pages.

* cited by examiner

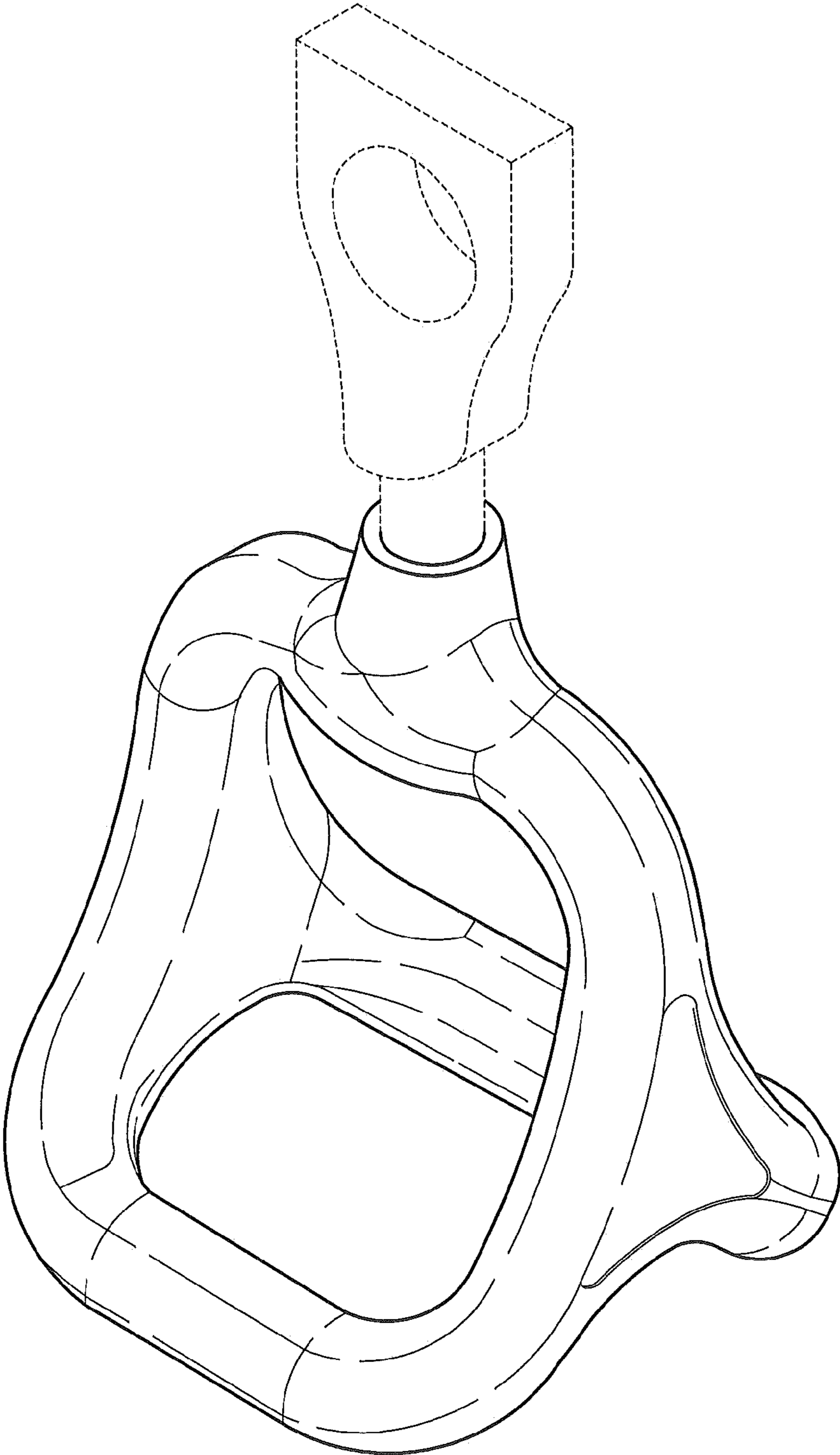


Fig. 1

Fig. 2

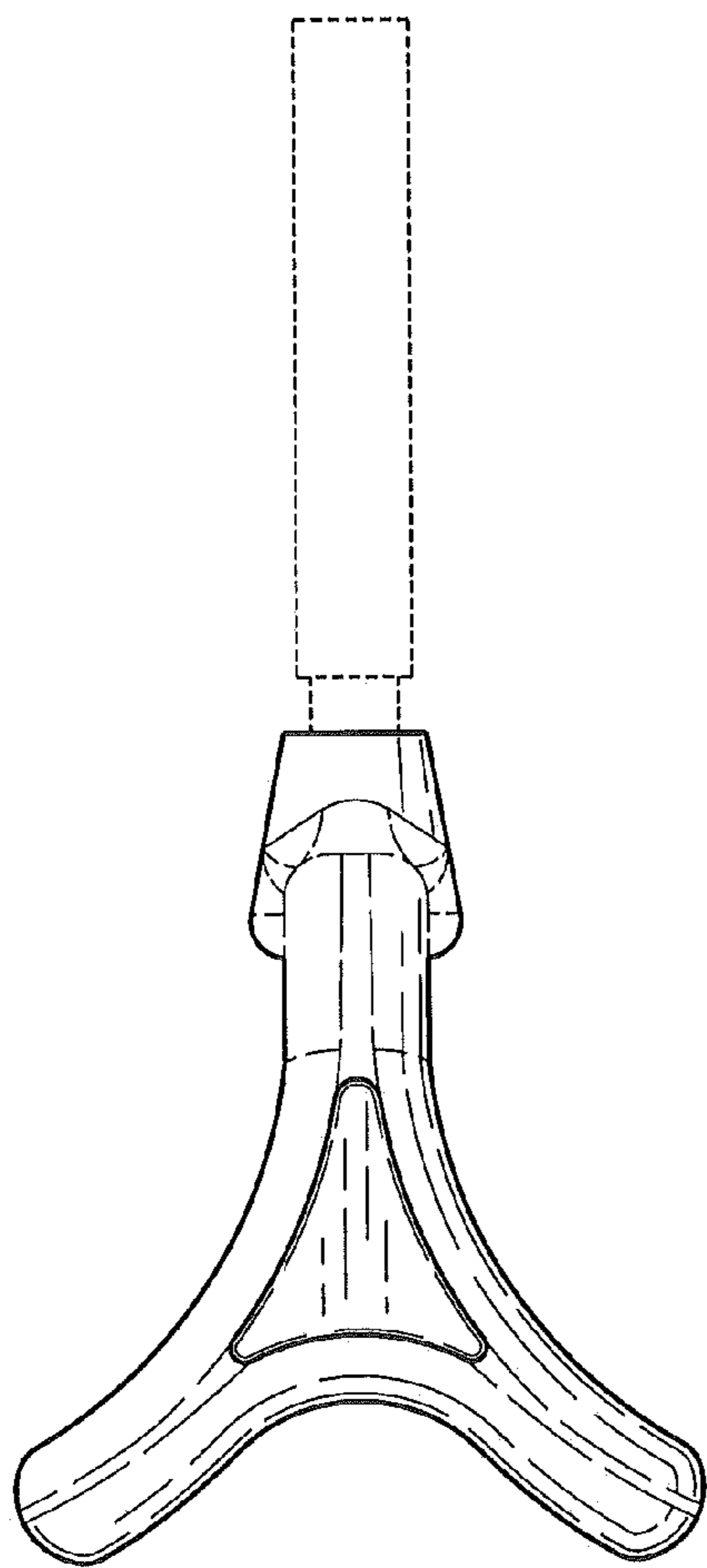
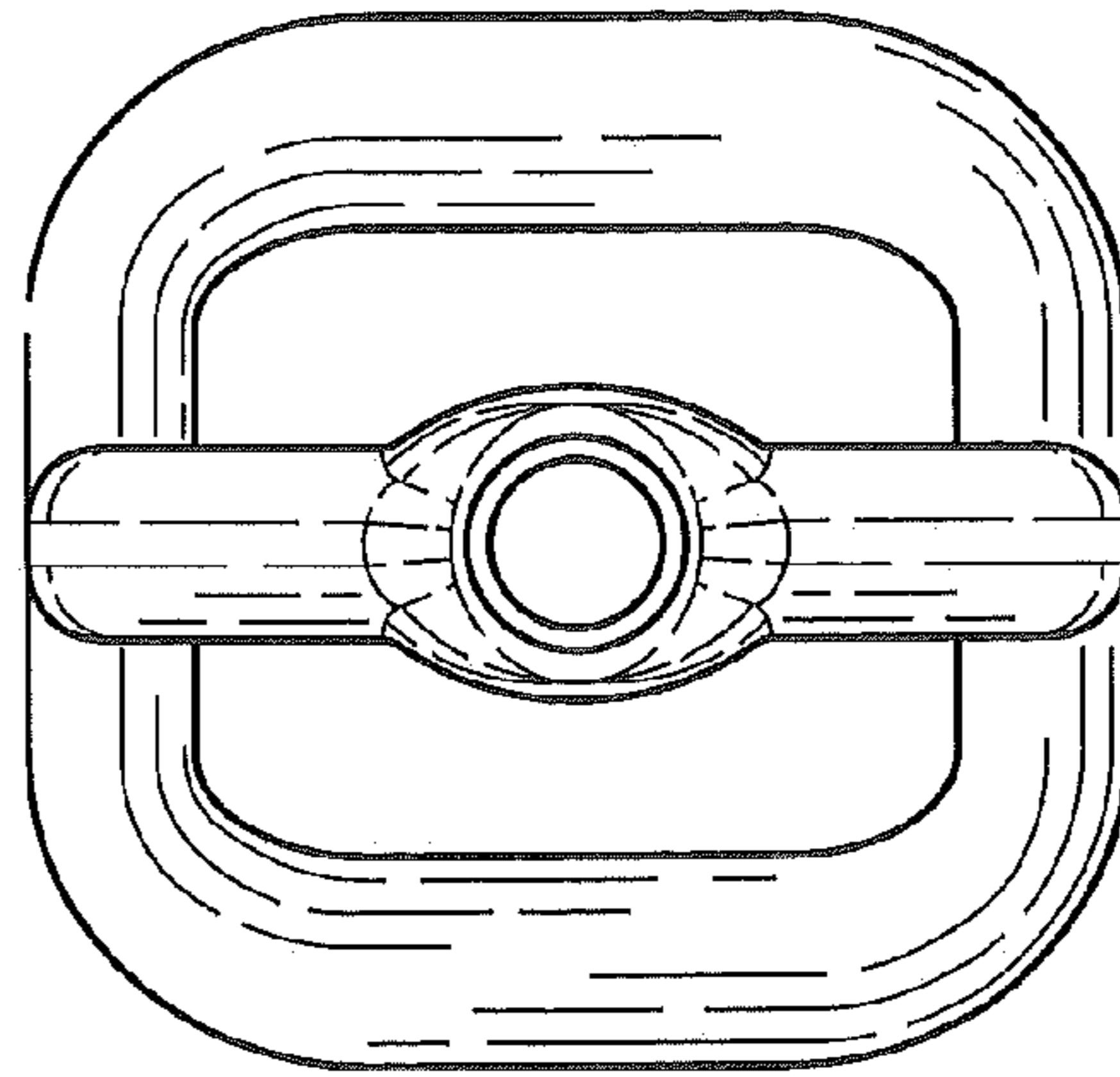


Fig. 3

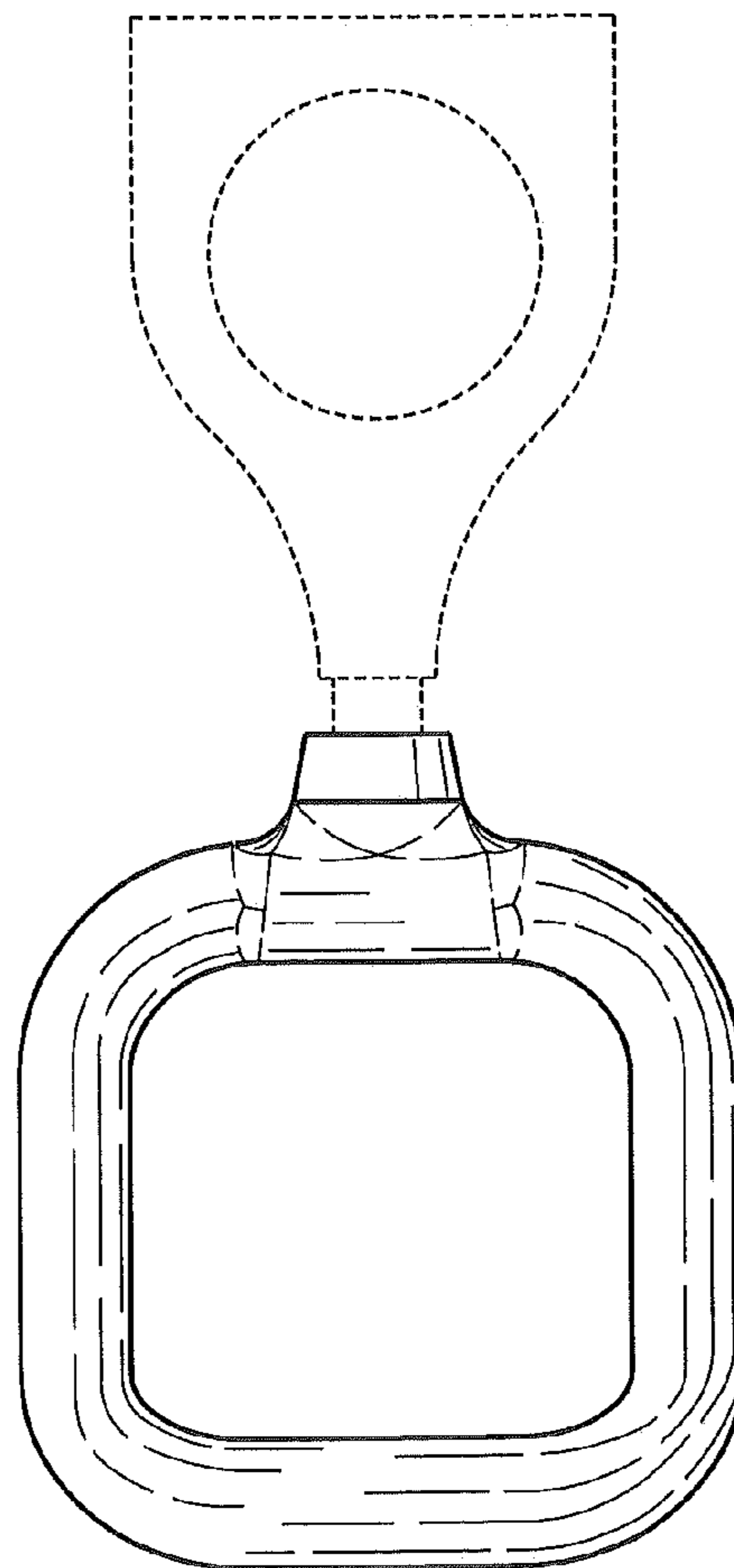


Fig. 4

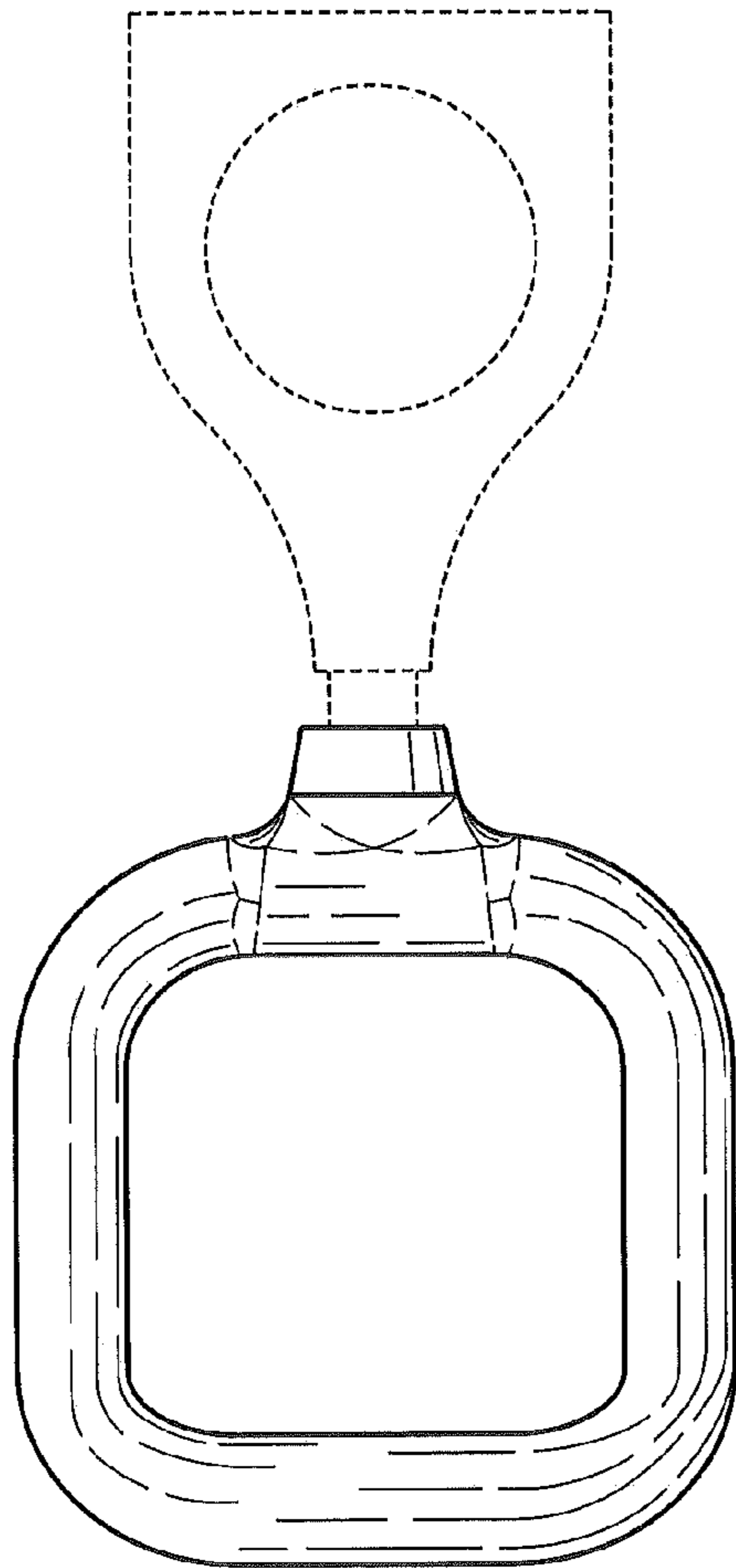


Fig. 5

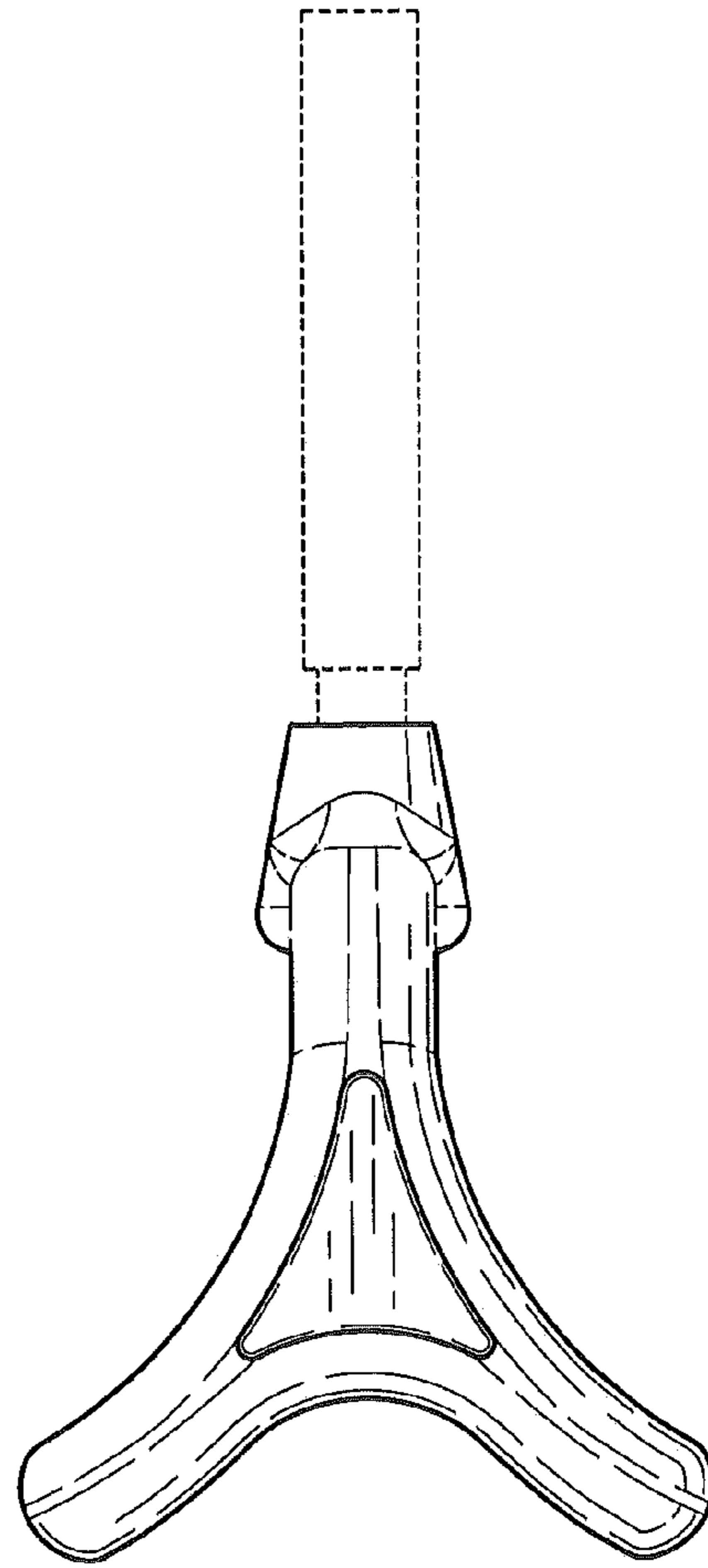


Fig. 6

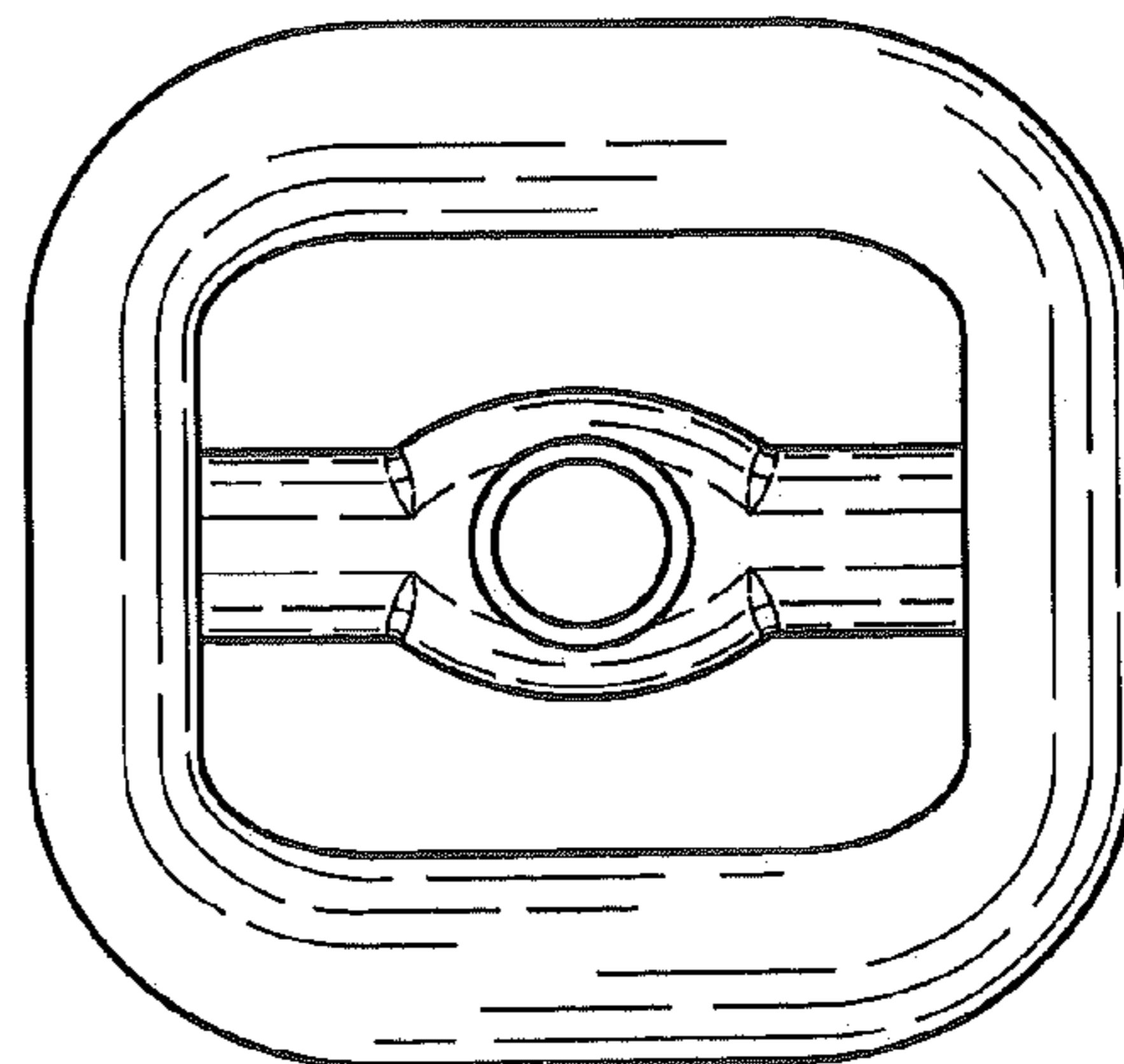


Fig. 7

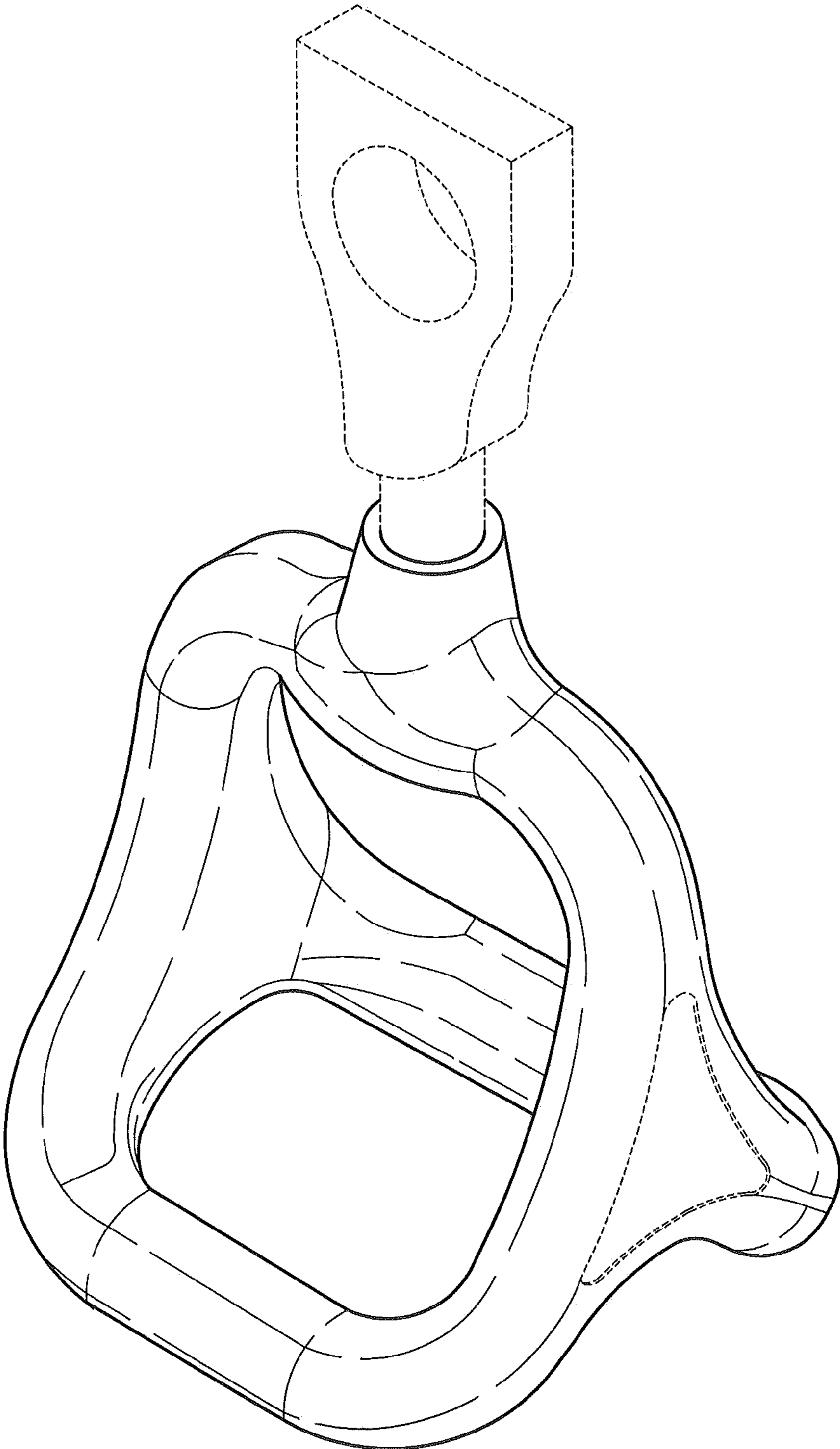


Fig. 8

Fig. 9

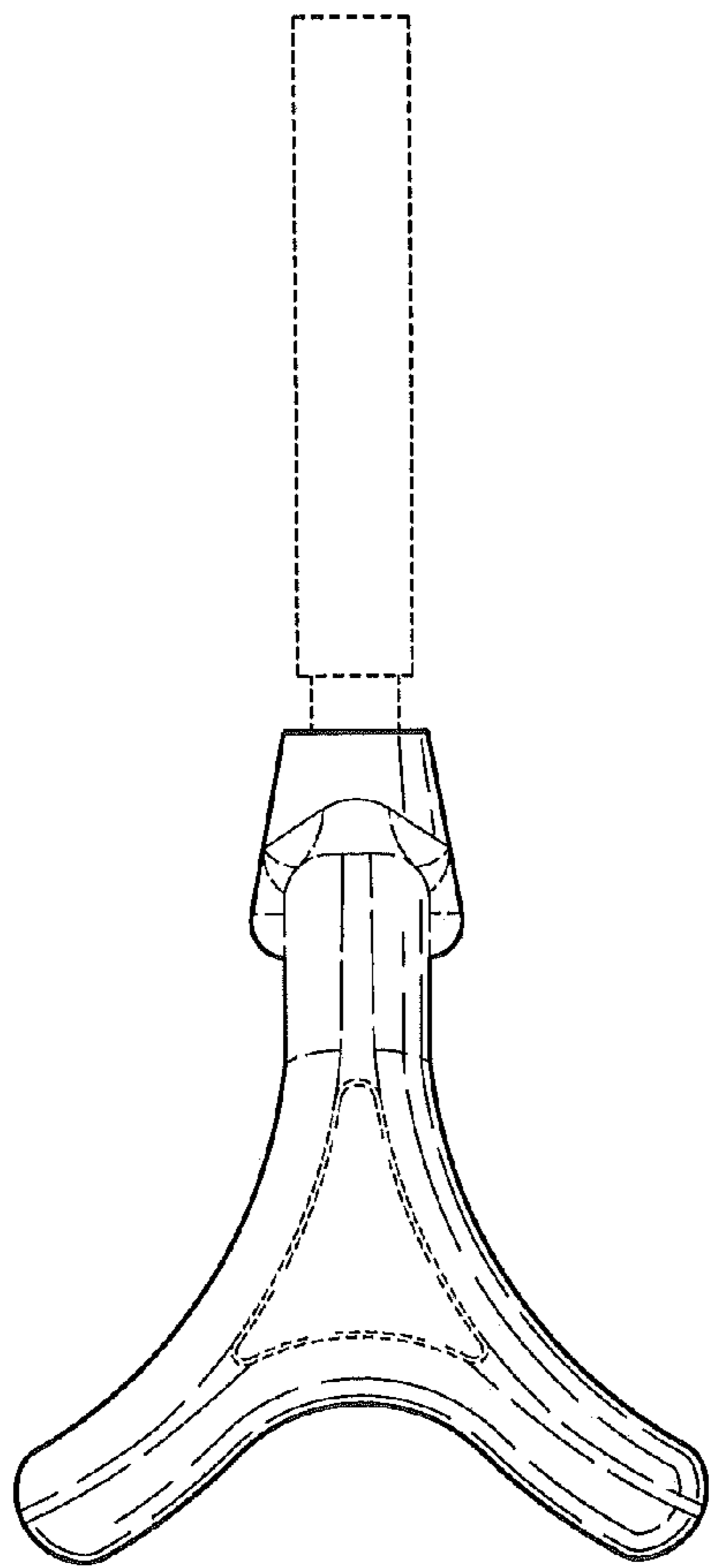
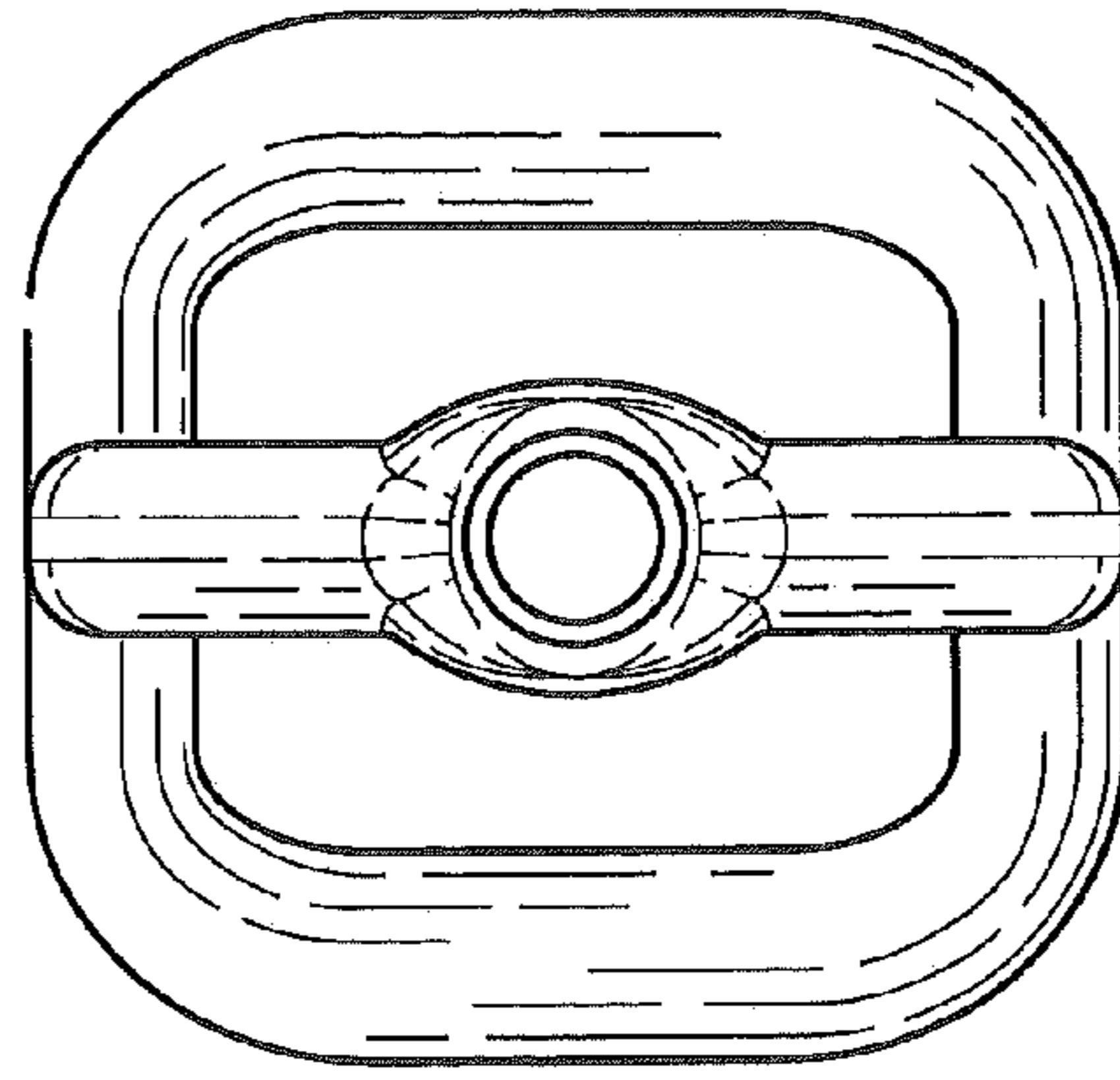


Fig. 10

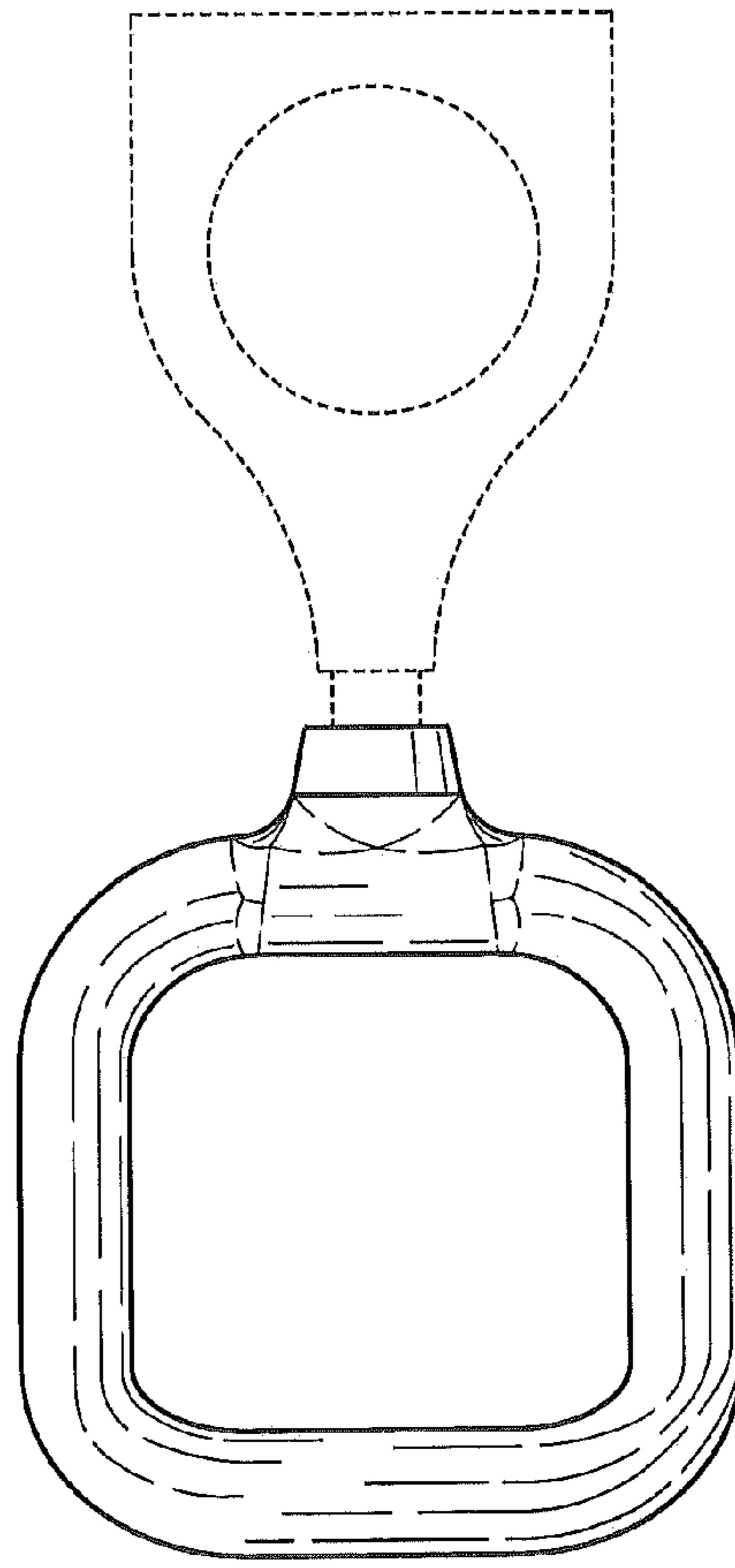


Fig. 11

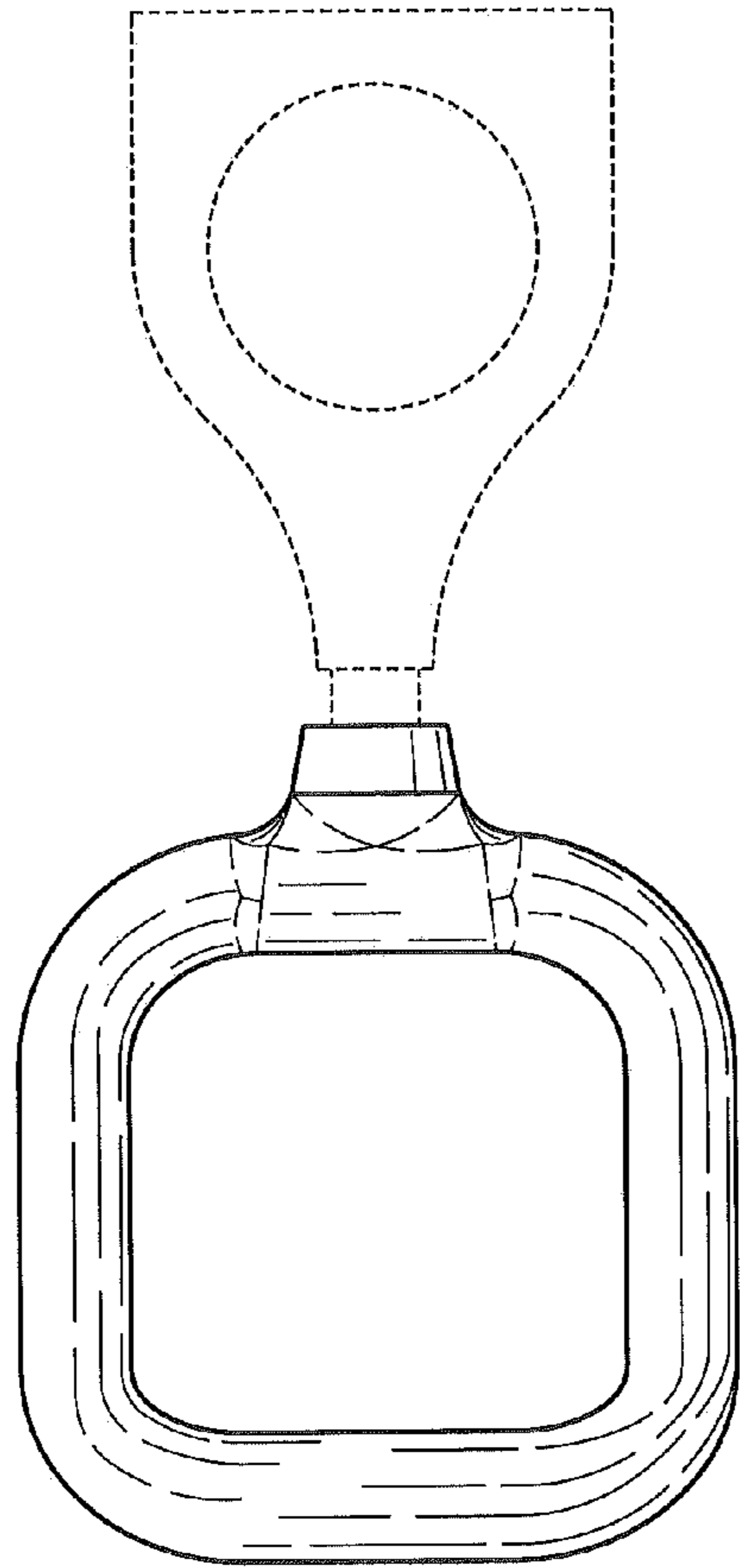


Fig. 12

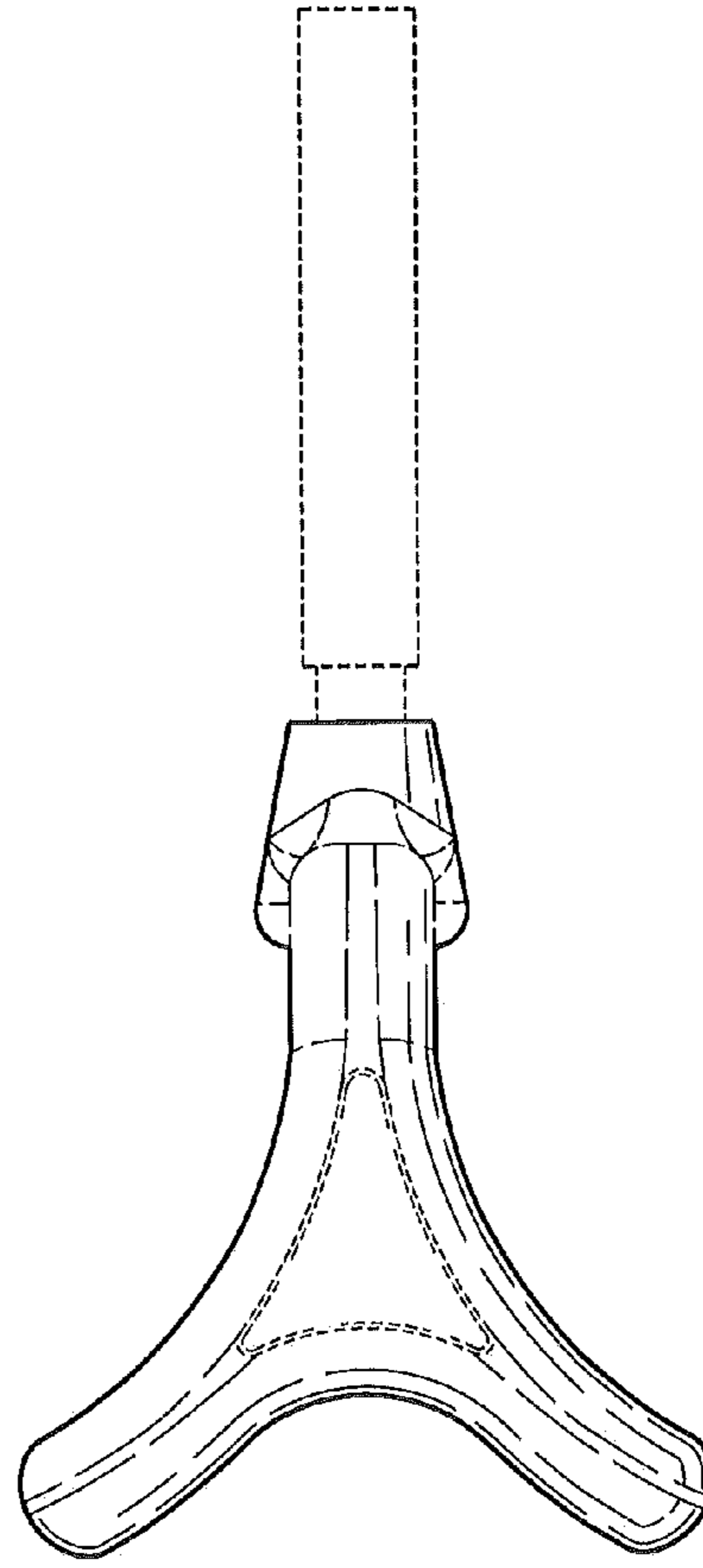


Fig. 13

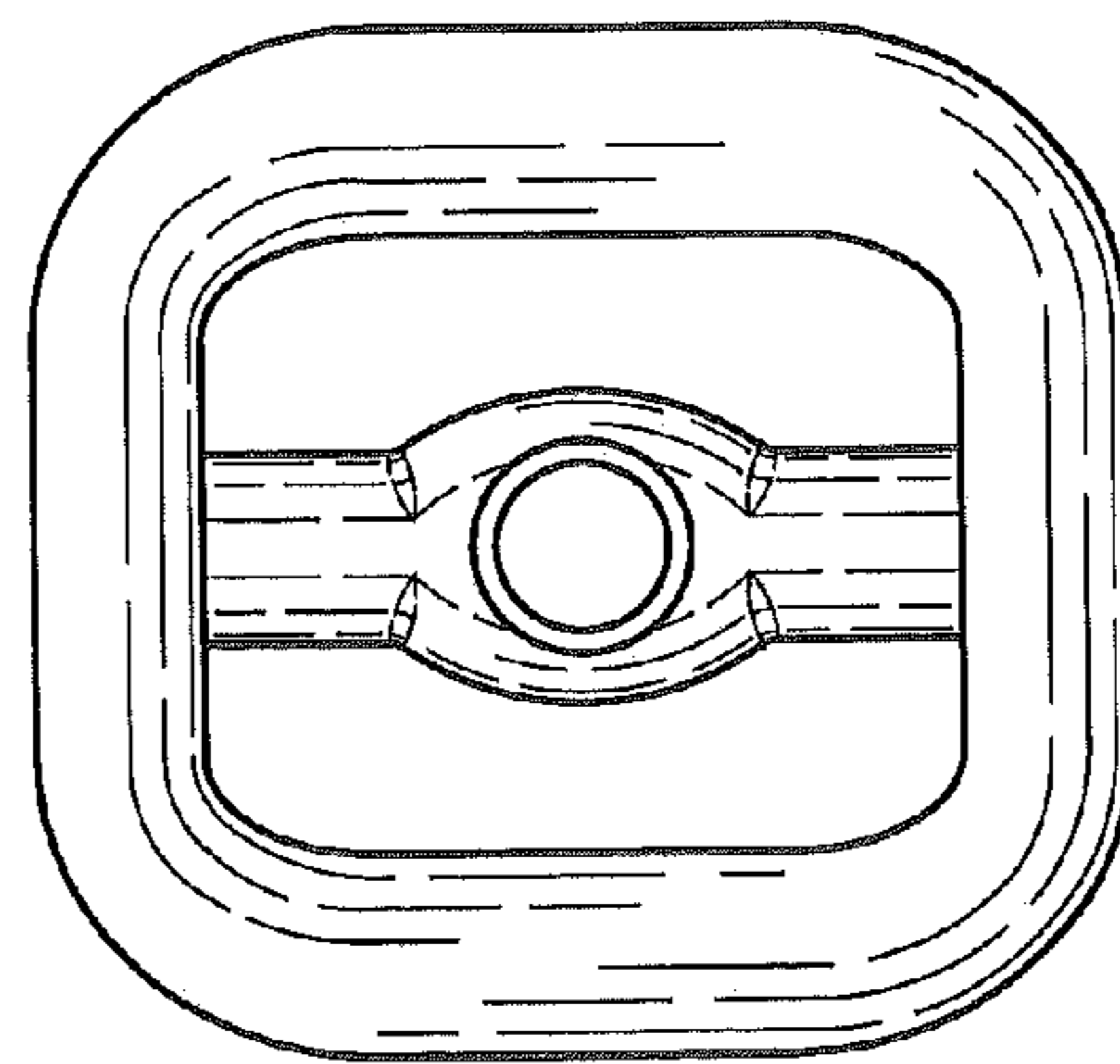


Fig. 14