



US00D723895S

(12) **United States Design Patent**
Dovel

(10) **Patent No.:** **US D723,895 S**
(45) **Date of Patent:** **** Mar. 10, 2015**

- (54) **ATTACHMENT FOR A POWERED SHARPENER**
- (71) Applicant: **Darex LLC**, Ashland, OR (US)
- (72) Inventor: **Daniel T. Dovel**, Shady Cove, OR (US)
- (73) Assignee: **Darex LLC**, Ashland, OR (US)
- (**) Term: **14 Years**
- (21) Appl. No.: **29/492,234**
- (22) Filed: **May 29, 2014**
- (51) **LOC (10) Cl.** **08-05**
- (52) **U.S. Cl.**
USPC **D8/63**
- (58) **Field of Classification Search**
USPC D8/63, 93, 34, 91, 35; D7/698; 451/45,
451/267, 259, 198, 193, 177, 555, 132, 194,
451/241; 36/31; 76/86-89; 30/138
See application file for complete search history.

D604,134	S	*	11/2009	Smith et al.	D8/63
D604,135	S	*	11/2009	Smith et al.	D8/63
8,388,413	B1	*	3/2013	Dovel et al.	451/45
D688,545	S	*	8/2013	Jensen et al.	D8/63
D703,018	S	*	4/2014	Otsuka	D8/63
8,696,407	B2	*	4/2014	Dovel	451/45
D705,625	S	*	5/2014	Huber et al.	D8/63

* cited by examiner

Primary Examiner — Austin Murphy
(74) *Attorney, Agent, or Firm* — Hall Estill Attorneys at Law

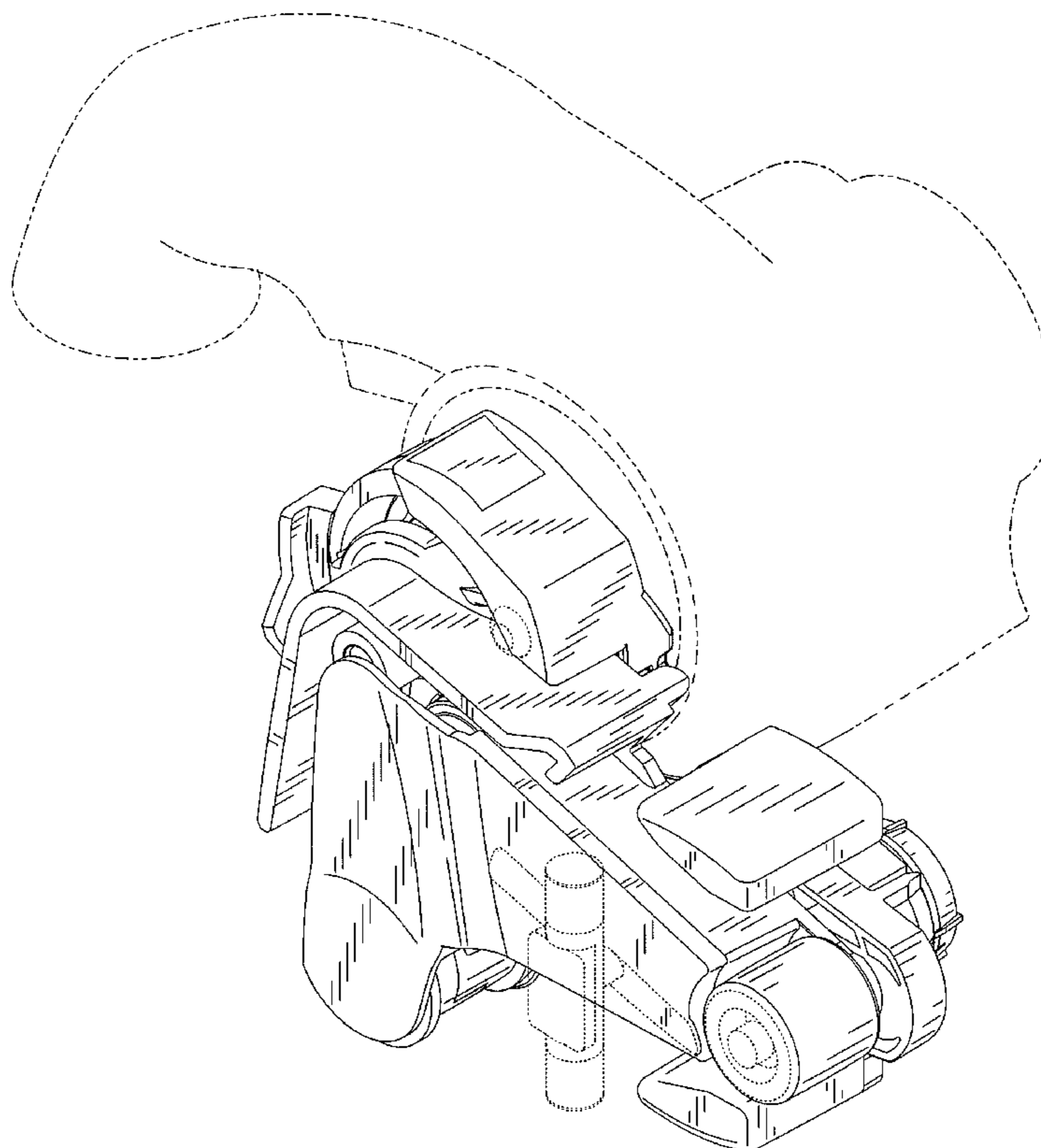
(57) **CLAIM**
The ornamental design for an attachment for a powered sharpener, as shown and described.

DESCRIPTION

FIG. 1 is a right side view of the design.
FIG. 2 is a left side view of the design of FIG. 1.
FIG. 3 is a front end view of the design of FIG. 1.
FIG. 4 is a rear end view of the design of FIG. 1.
FIG. 5 is a top view of the design of FIG. 1.
FIG. 6 is a bottom view of the design of FIG. 1; and,
FIG. 7 is an isometric view of the design of FIG. 1.
The broken lines in these drawings serve to illustrate the environment in which the claimed design is associated. The broken lines form no part of the claimed design.

1 Claim, 4 Drawing Sheets

- (56) **References Cited**
U.S. PATENT DOCUMENTS
- | | | | | | | |
|----------|---|---|---------|-----------------|-------|--------|
| D162,121 | S | * | 2/1951 | Branick | | D8/63 |
| D163,044 | S | * | 4/1951 | Hoek | | D8/63 |
| D168,231 | S | * | 11/1952 | Lindgren | | D7/372 |
| D169,539 | S | * | 5/1953 | Folli | | D8/63 |
| D331,688 | S | * | 12/1992 | Busse | | D8/63 |
| D473,777 | S | * | 4/2003 | Thompson et al. | | D8/93 |



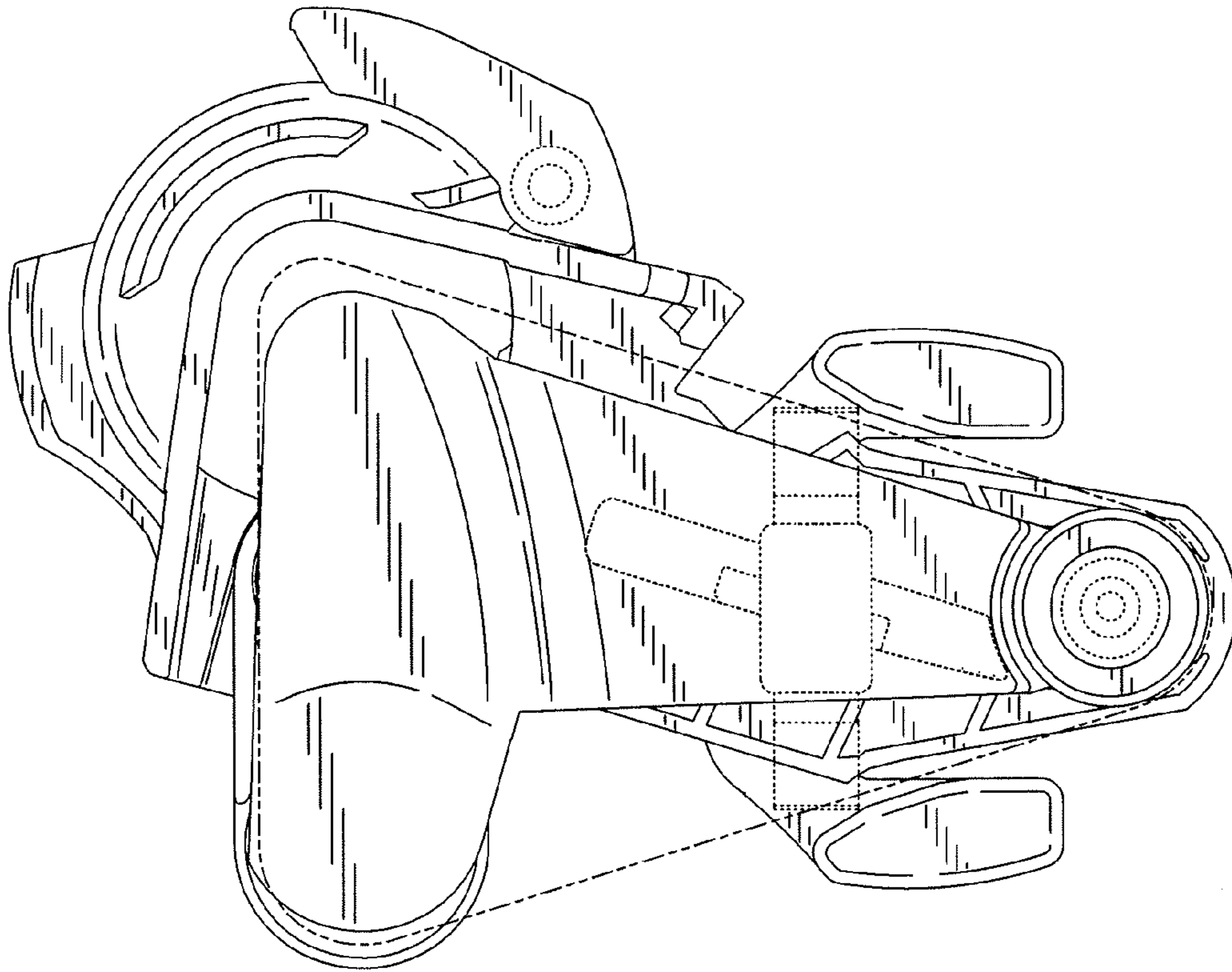


FIG. 1

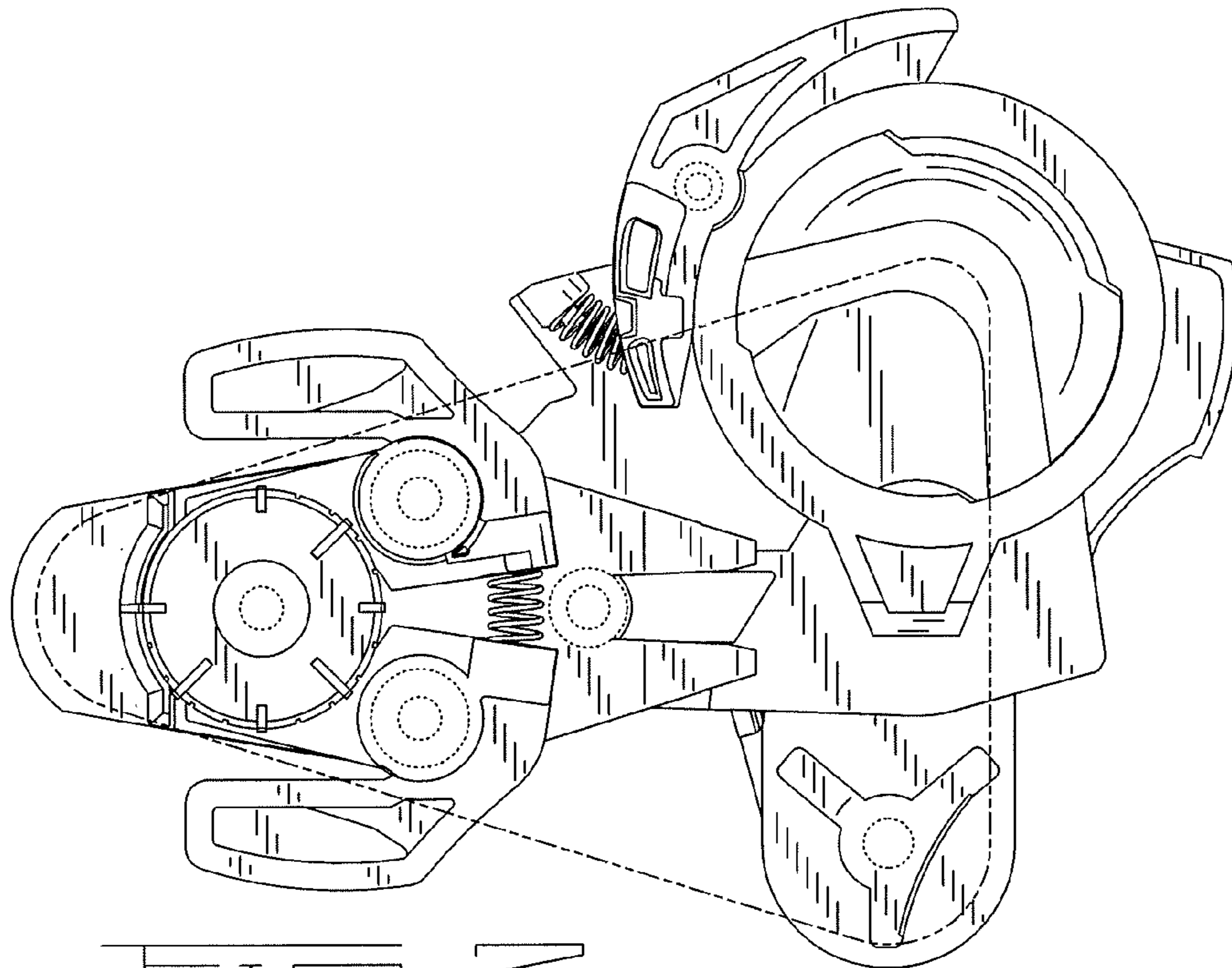
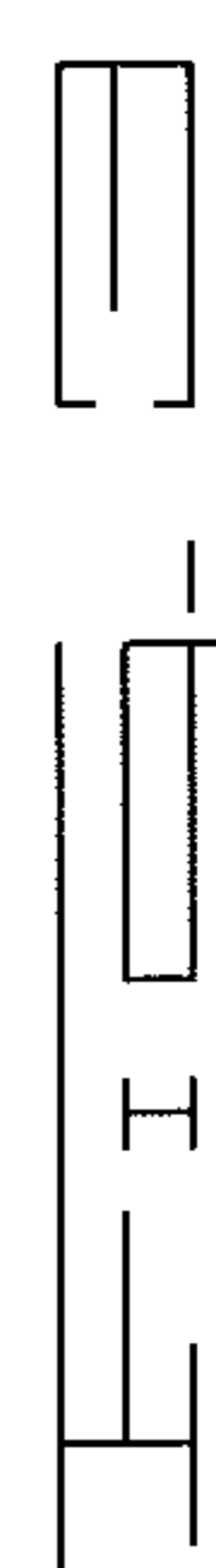
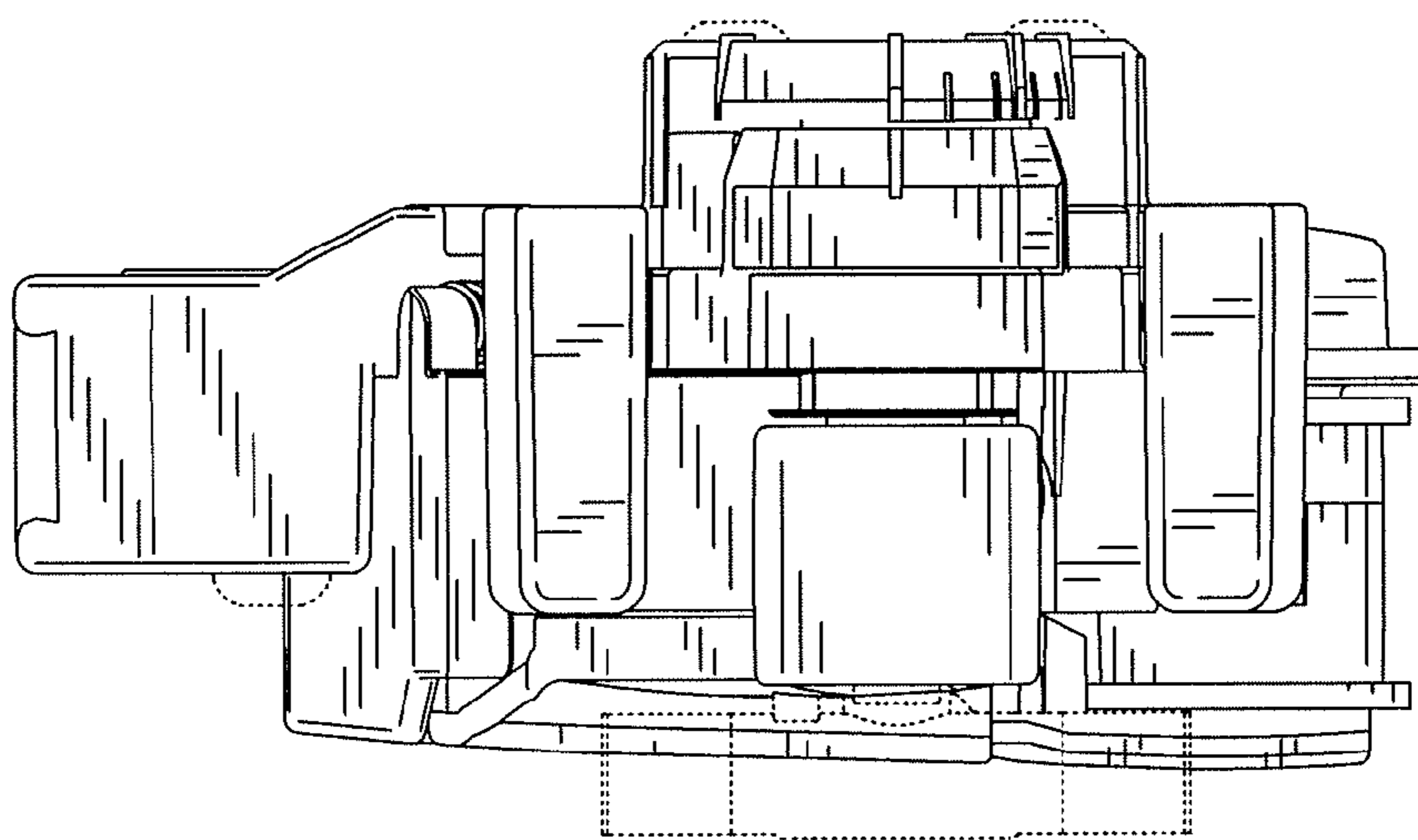
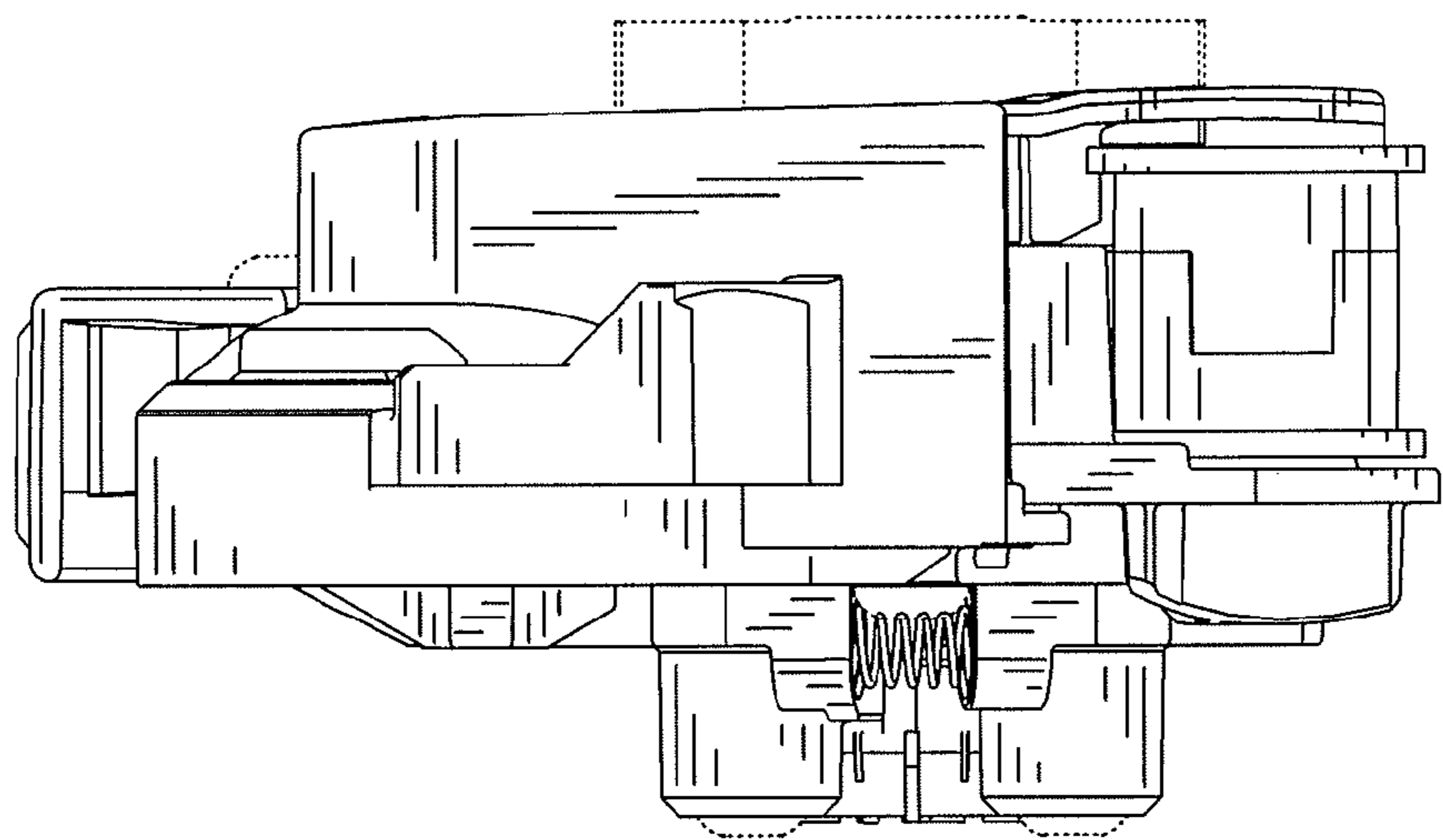


FIG. 2



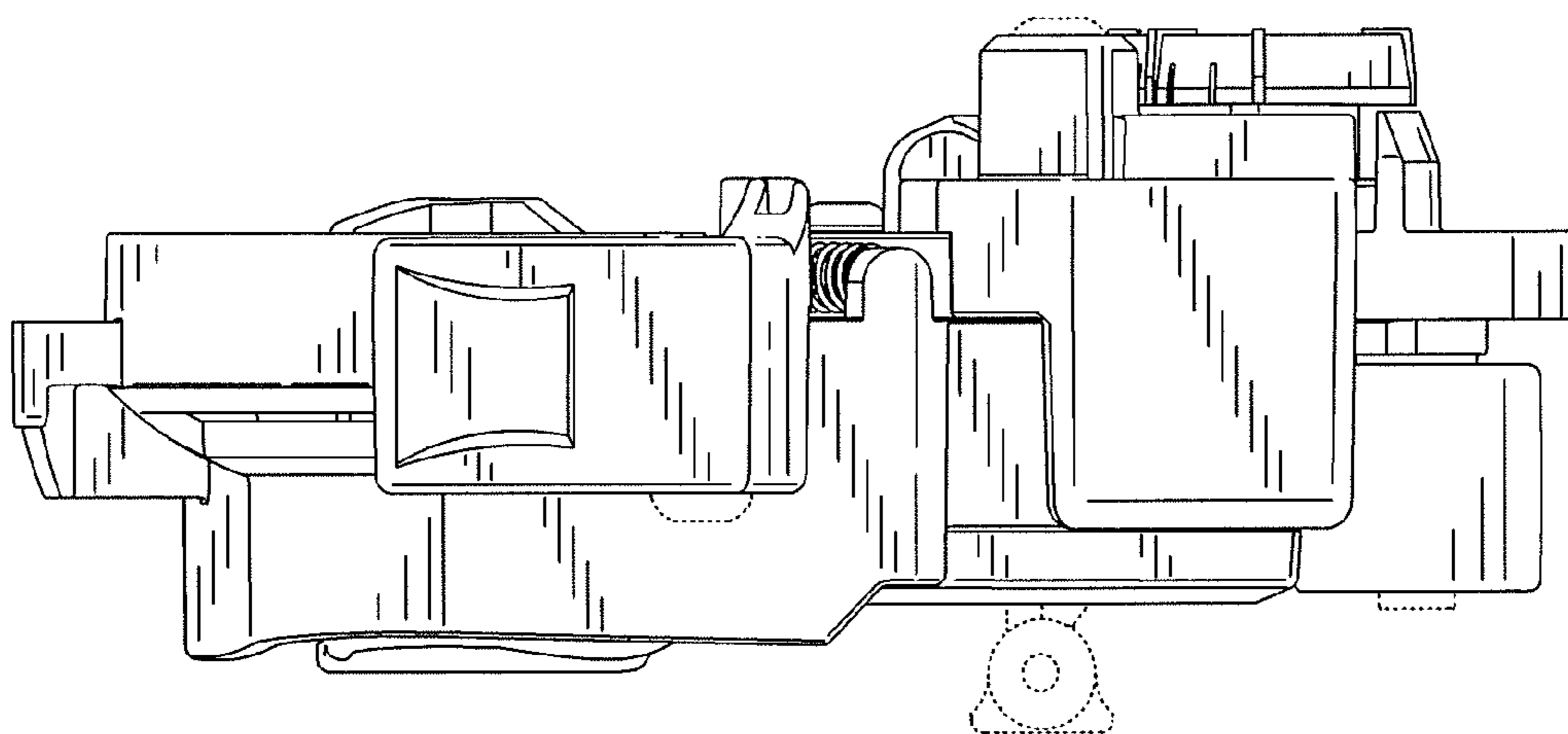


FIG. 5

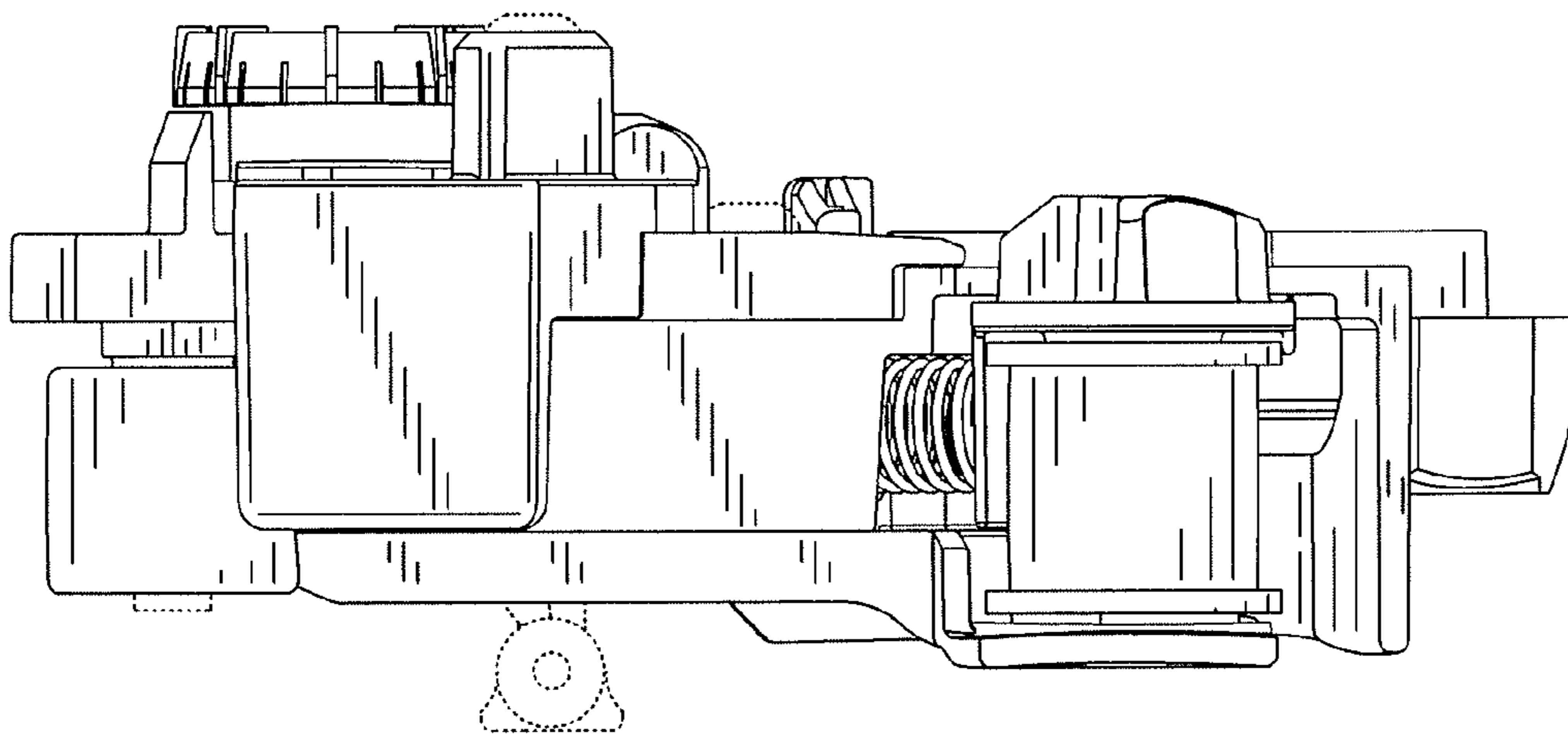


FIG. 6

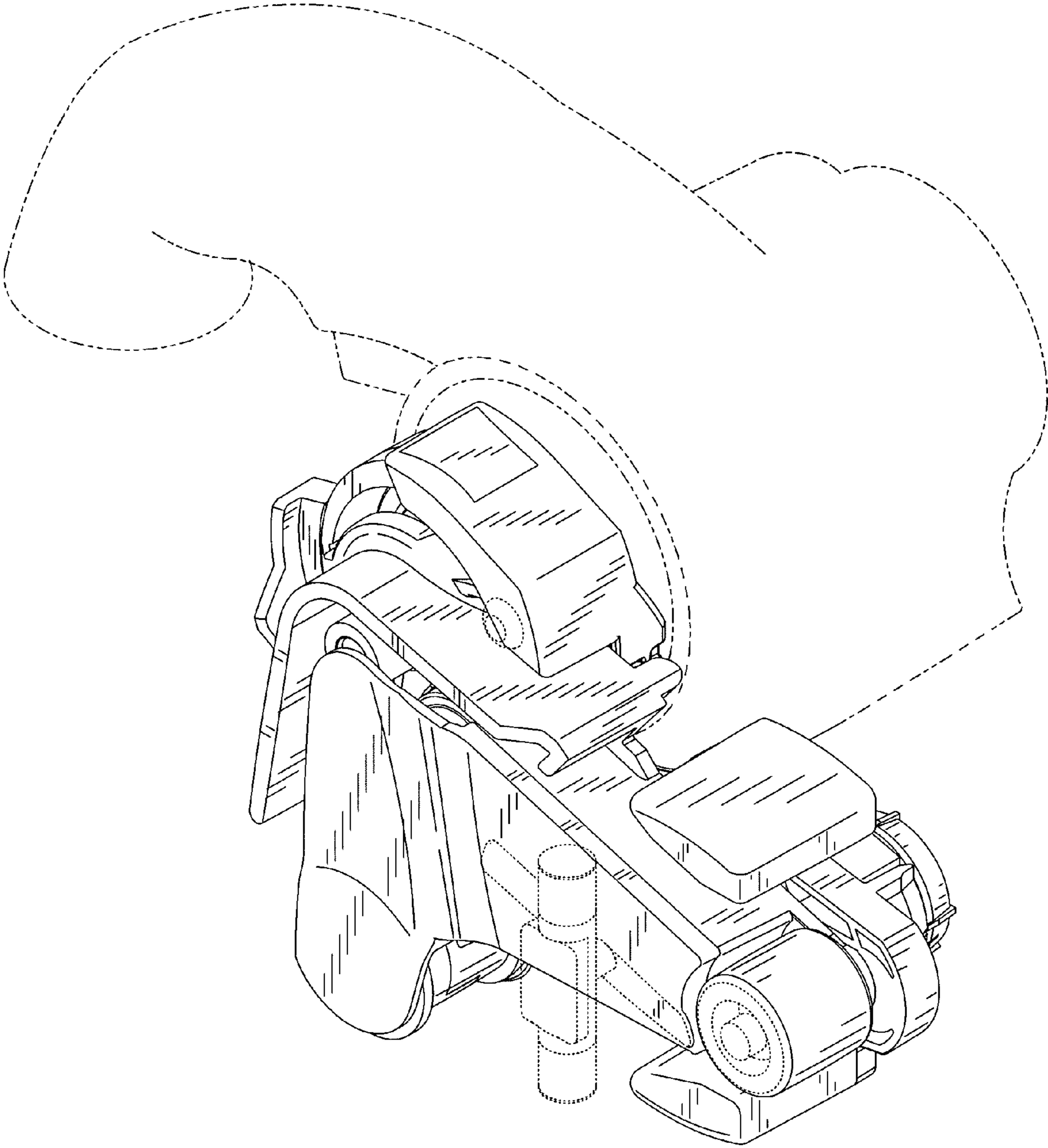


FIG. 2