



US00D723891S

(12) **United States Design Patent**
Pringnitz

(10) **Patent No.:** **US D723,891 S**

(45) **Date of Patent:** **** Mar. 10, 2015**

(54) **FOLDABLE-STORABLE POLE SAW**

(71) Applicant: **Todd Pringnitz**, Mount Pleasant, IA
(US)

(72) Inventor: **Todd Pringnitz**, Mount Pleasant, IA
(US)

(**) Term: **14 Years**

(21) Appl. No.: **29/472,373**

(22) Filed: **Nov. 12, 2013**

D392,164 S *	3/1998	Bomgaars, Jr.	D8/9
D406,039 S	2/1999	Okada	
D433,914 S	11/2000	Chu	
D444,684 S *	7/2001	Kimura	D8/9
D461,999 S *	8/2002	Nimmo	D8/7
D482,257 S	11/2003	Taylor et al.	
7,017,234 B2	3/2006	Anderson	
7,065,885 B1	6/2006	Chen	
D530,164 S *	10/2006	Farley	D8/9
D530,180 S	10/2006	Klecker et al.	
D582,243 S	12/2008	Freeman et al.	
D582,747 S	12/2008	Freeman et al.	
D588,433 S	3/2009	van Deursen	
D637,882 S	5/2011	Bloch	
7,958,640 B1	6/2011	Mandriota	
D664,823 S	8/2012	Pringnitz	

* cited by examiner

Related U.S. Application Data

(63) Continuation of application No. 13/633,204, filed on Oct. 2, 2012, and a continuation of application No. 29/440,505, filed on Dec. 21, 2012.

(51) **LOC (10) Cl.** **08-01**

(52) **U.S. Cl.**
USPC **D8/9**

(58) **Field of Classification Search**
USPC D8/6, 7, 10, 107, 99, 95; 30/169, 320,
30/164.6, 315, 517, 331, 337, 249;
172/13, 18, 371, 378, 379
See application file for complete search history.

(56) **References Cited**

U.S. PATENT DOCUMENTS

3,835,535 A *	9/1974	Robison et al.	30/249
D300,112 S	3/1989	Osterhout	
D304,154 S	10/1989	Osterhout	
D346,937 S	5/1994	Backman	
5,553,386 A	9/1996	Hsu	
5,634,276 A	6/1997	Lin	

Primary Examiner — Sheryl Lane

(74) *Attorney, Agent, or Firm* — Price Heneveld LLP

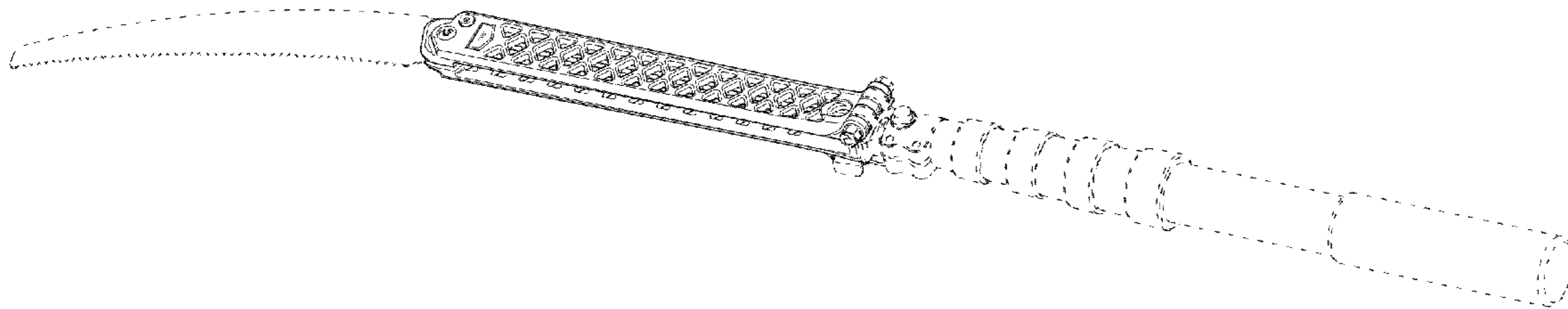
(57) **CLAIM**

I claim the ornamental design for foldable-storable pole saw, as shown and described.

DESCRIPTION

FIG. 1 is a perspective view of the present design;
FIG. 2 is an alternate perspective view thereof;
FIG. 3 is an alternate perspective view thereof;
FIG. 4 is a top view thereof;
FIG. 5 is a right hand side view thereof;
FIG. 6 is a front side thereof;
FIG. 7 is a rear side thereof; and,
FIG. 8 is a left hand side view thereof.
All dashed lines are to show environment and are not part of the claimed invention.

1 Claim, 2 Drawing Sheets



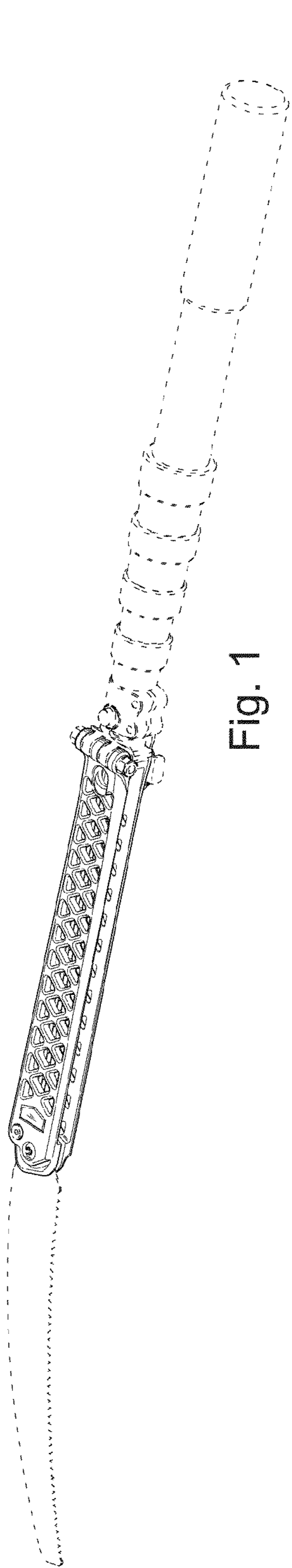


Fig. 1

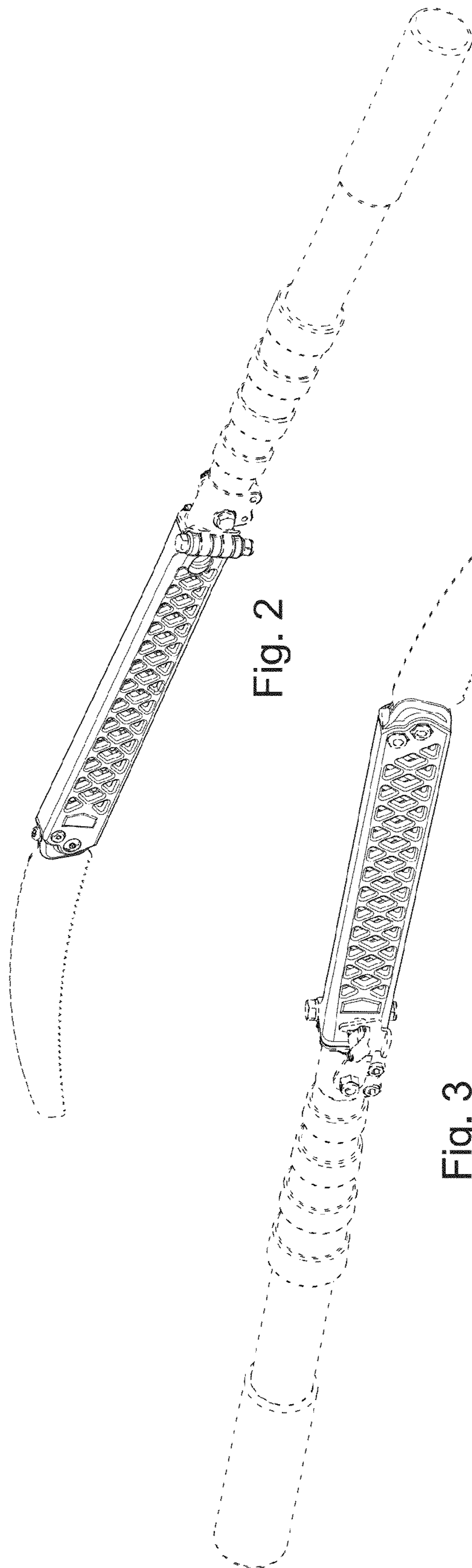


Fig. 2

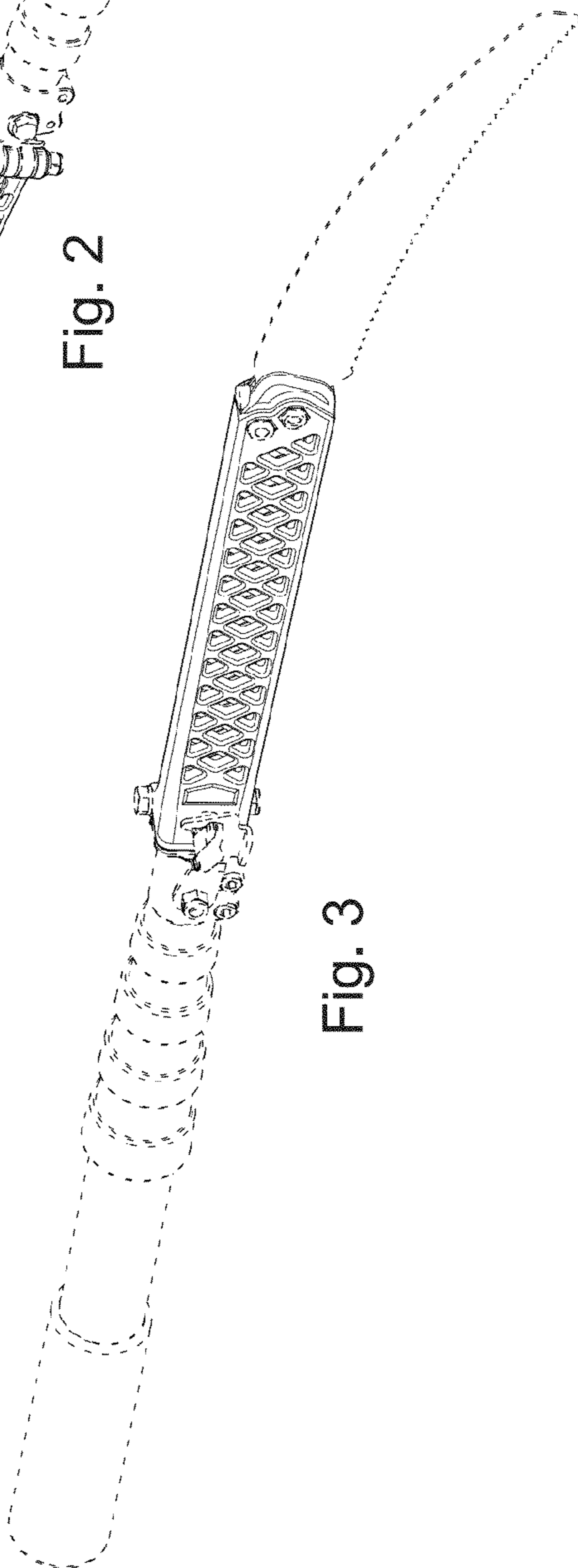


Fig. 3

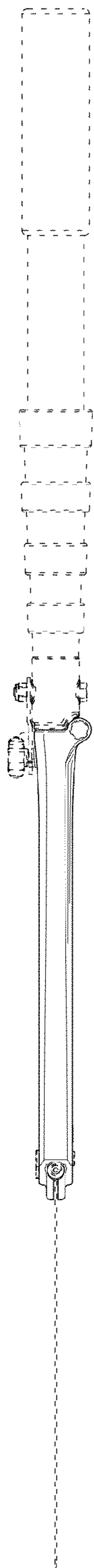


Fig. 4

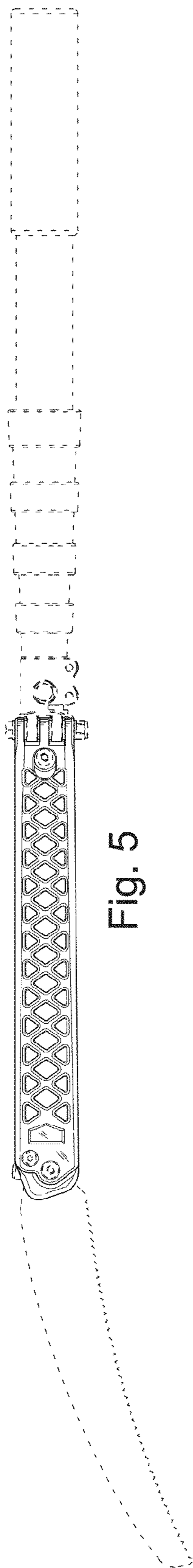


Fig. 5

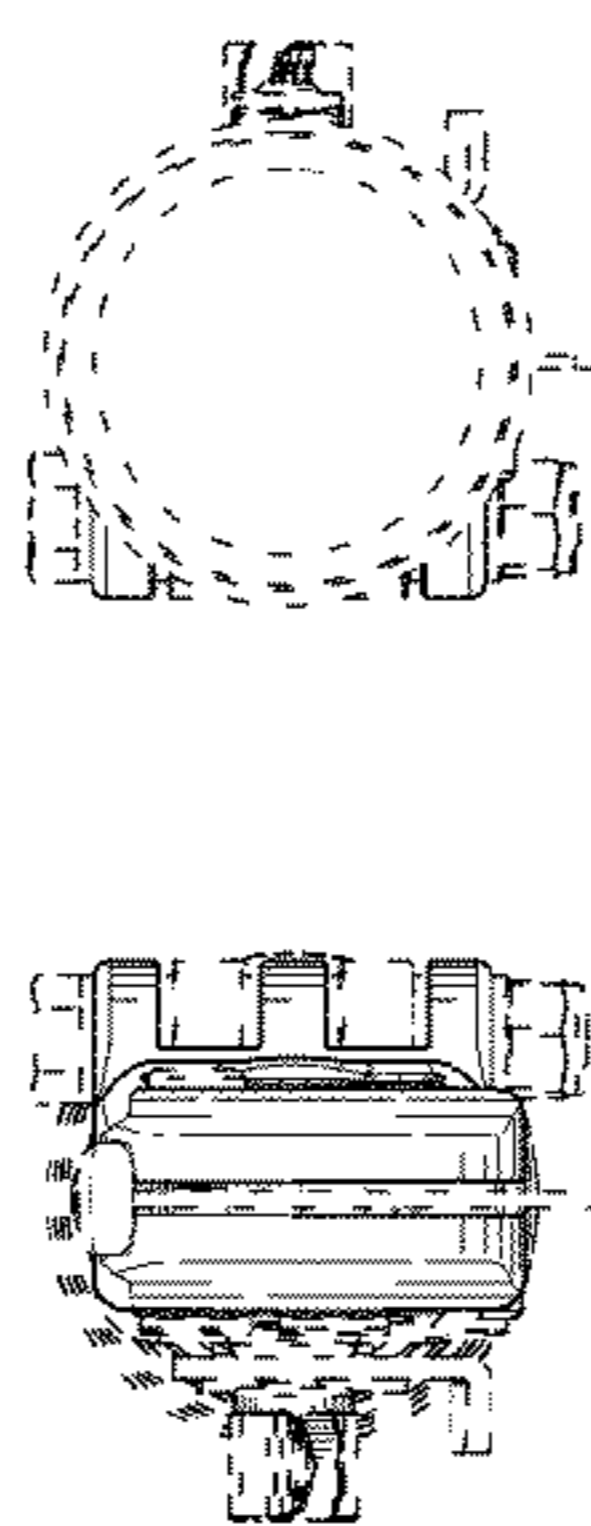


Fig. 6

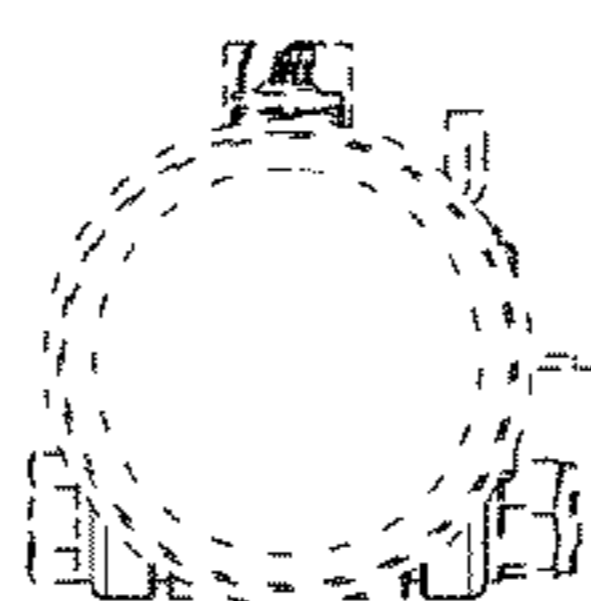


Fig. 7

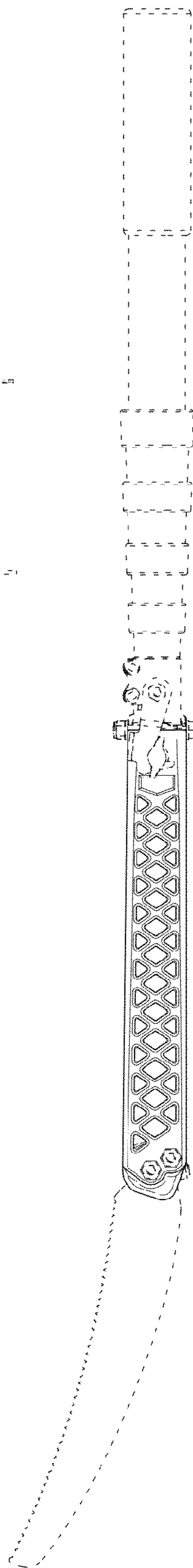


Fig. 8