



US00D723890S

(12) **United States Design Patent**
Pringnitz

(10) **Patent No.:** **US D723,890 S**

(45) **Date of Patent:** **** Mar. 10, 2015**

(54) **POLE SAW**

(71) Applicant: **Todd Pringnitz**, Mount Pleasant, IA
(US)

(72) Inventor: **Todd Pringnitz**, Mount Pleasant, IA
(US)

(**) Term: **14 Years**

(21) Appl. No.: **29/440,505**

(22) Filed: **Dec. 21, 2012**

(51) **LOC (10) Cl.** **08-01**

(52) **U.S. Cl.**
USPC **D8/9**

(58) **Field of Classification Search**
USPC D8/6, 7, 10, 107, 99, 95; 30/169, 320,
30/164.6, 315, 517, 331, 337, 249;
172/13, 18, 371, 378, 379
See application file for complete search history.

(56) **References Cited**

U.S. PATENT DOCUMENTS

| | | | | | |
|-----------|-----|---------|----------------|-------|--------|
| 3,835,535 | A * | 9/1974 | Robison et al. | | 30/249 |
| D300,112 | S | 3/1989 | Osterhout | | |
| D304,154 | S | 10/1989 | Osterhout | | |
| D346,937 | S | 5/1994 | Backman | | |
| 5,553,386 | A | 9/1996 | Hsu | | |
| D392,164 | S * | 3/1998 | Bomgaars, Jr. | | D8/9 |
| D406,039 | S | 2/1999 | Okada | | |
| D433,914 | S | 11/2000 | Chu | | |
| D444,684 | S * | 7/2001 | Kimura | | D8/9 |

| | | | | | |
|-----------|-----|---------|----------------|-------|------|
| D461,999 | S * | 8/2002 | Nimmo | | D8/7 |
| D482,257 | S | 11/2003 | Taylor et al. | | |
| 7,065,885 | B1 | 6/2006 | Chen | | |
| D530,164 | S * | 10/2006 | Farley | | D8/9 |
| D530,180 | S | 10/2006 | Klecker et al. | | |
| D582,243 | S | 12/2008 | Freeman et al. | | |
| D582,747 | S | 12/2008 | Freeman et al. | | |
| D588,433 | S | 3/2009 | van Deursen | | |
| D637,882 | S | 5/2011 | Bloch | | |
| D664,823 | S | 8/2012 | Pringnitz | | |

OTHER PUBLICATIONS

Wicked Tough Hand Saw. Snagged Mar. 22, 2012 at <http://www.wickedtreegear.com/wickedstory/wicked.html>.

* cited by examiner

Primary Examiner — Sheryl Lane

(74) *Attorney, Agent, or Firm* — Price Heneveld LLP

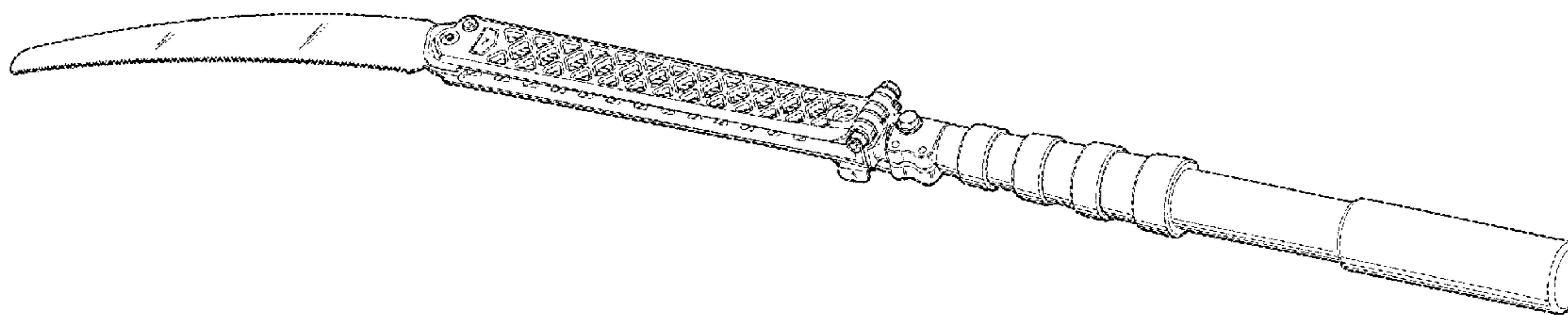
(57) **CLAIM**

I claim the ornamental design for pole saw, as shown and described.

DESCRIPTION

FIG. 1 is a perspective view of the present design;
FIG. 2 is an alternate perspective view thereof;
FIG. 3 is an alternate perspective view thereof;
FIG. 4 is a top view thereof;
FIG. 5 is a first side view thereof;
FIG. 6 is a blade end thereof;
FIG. 7 is a handle end thereof; and,
FIG. 8 is an opposite side view thereof.

1 Claim, 2 Drawing Sheets



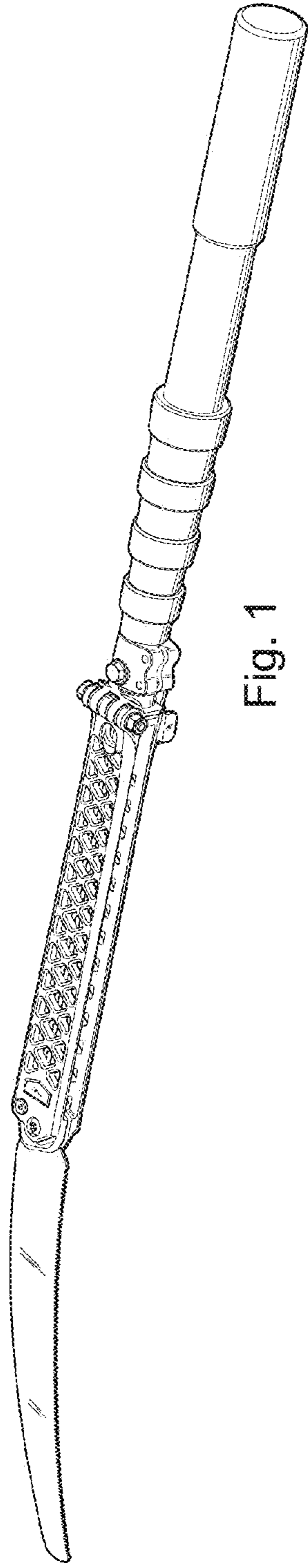


Fig. 1

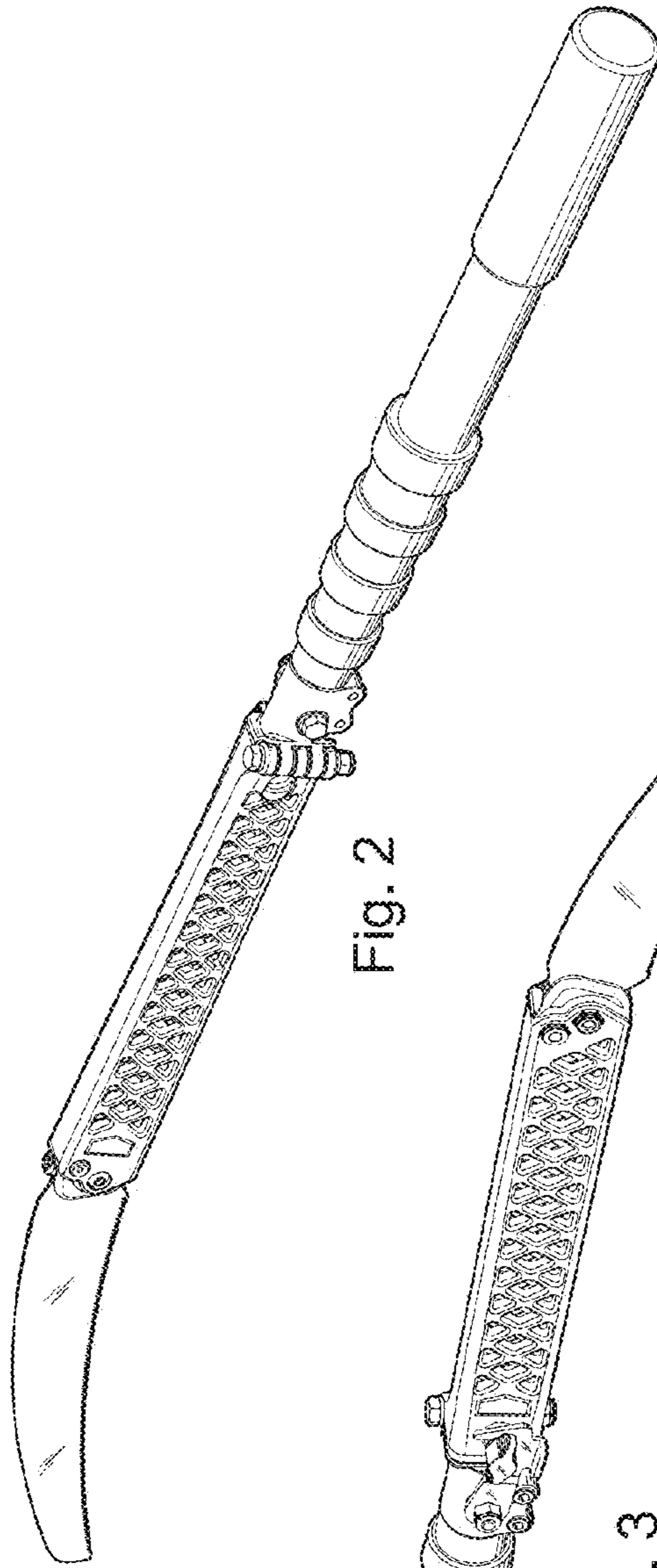


Fig. 2

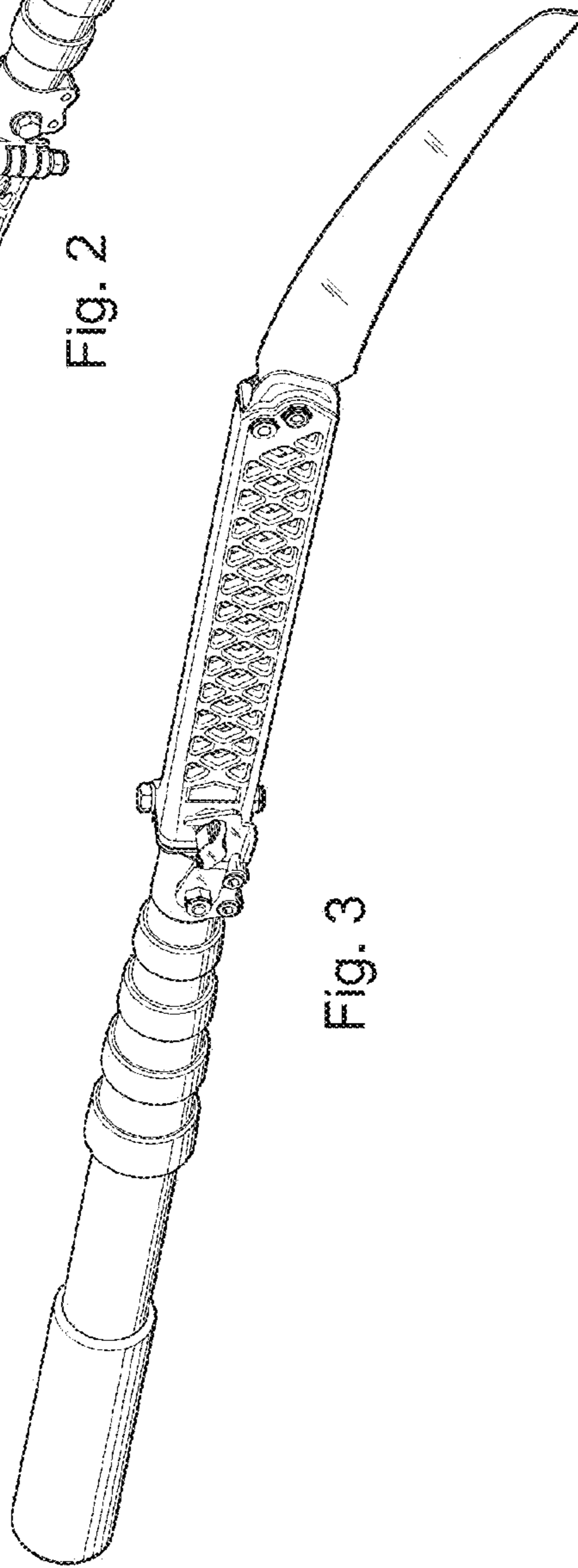


Fig. 3

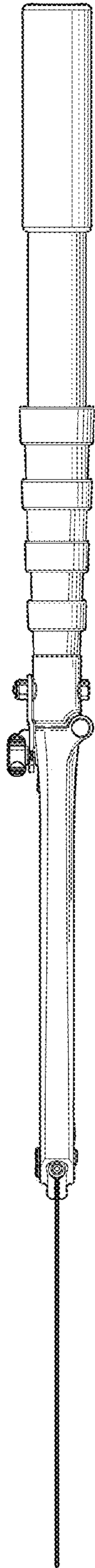


Fig. 4

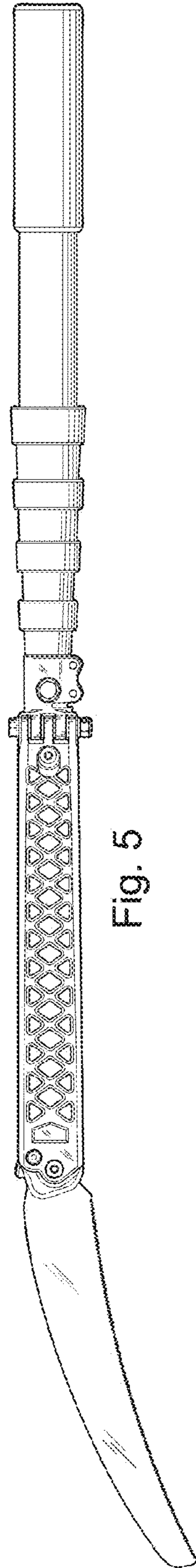


Fig. 5

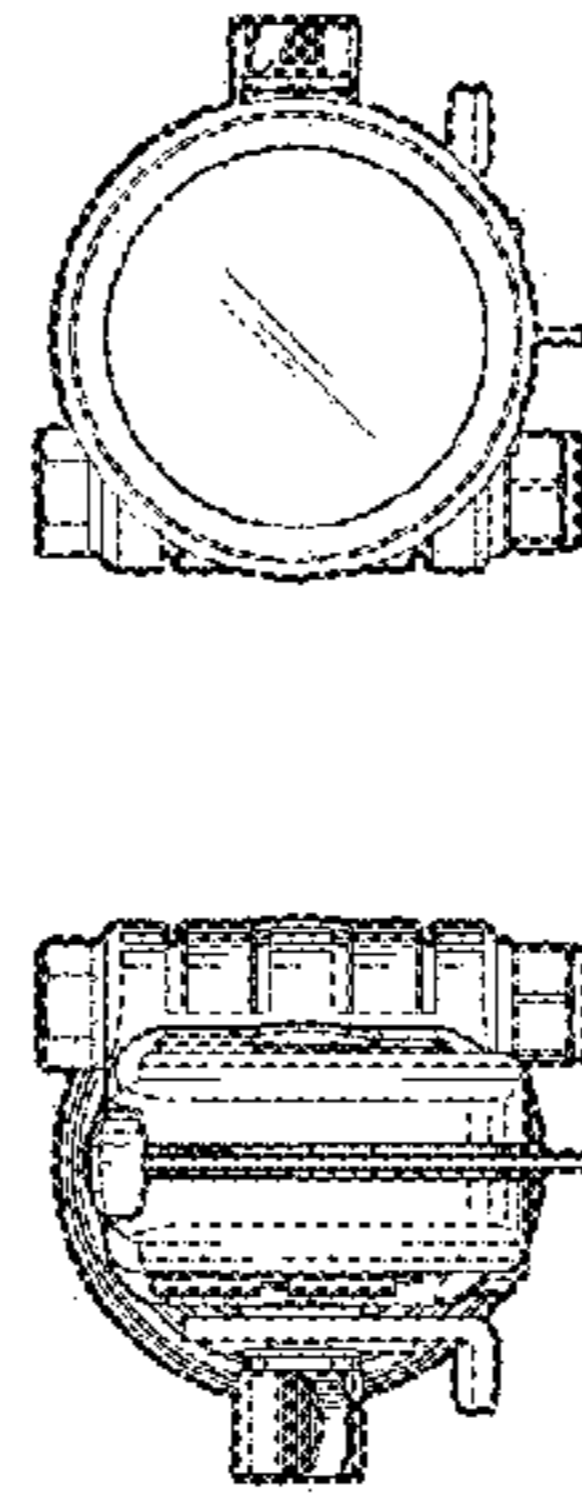


Fig. 6

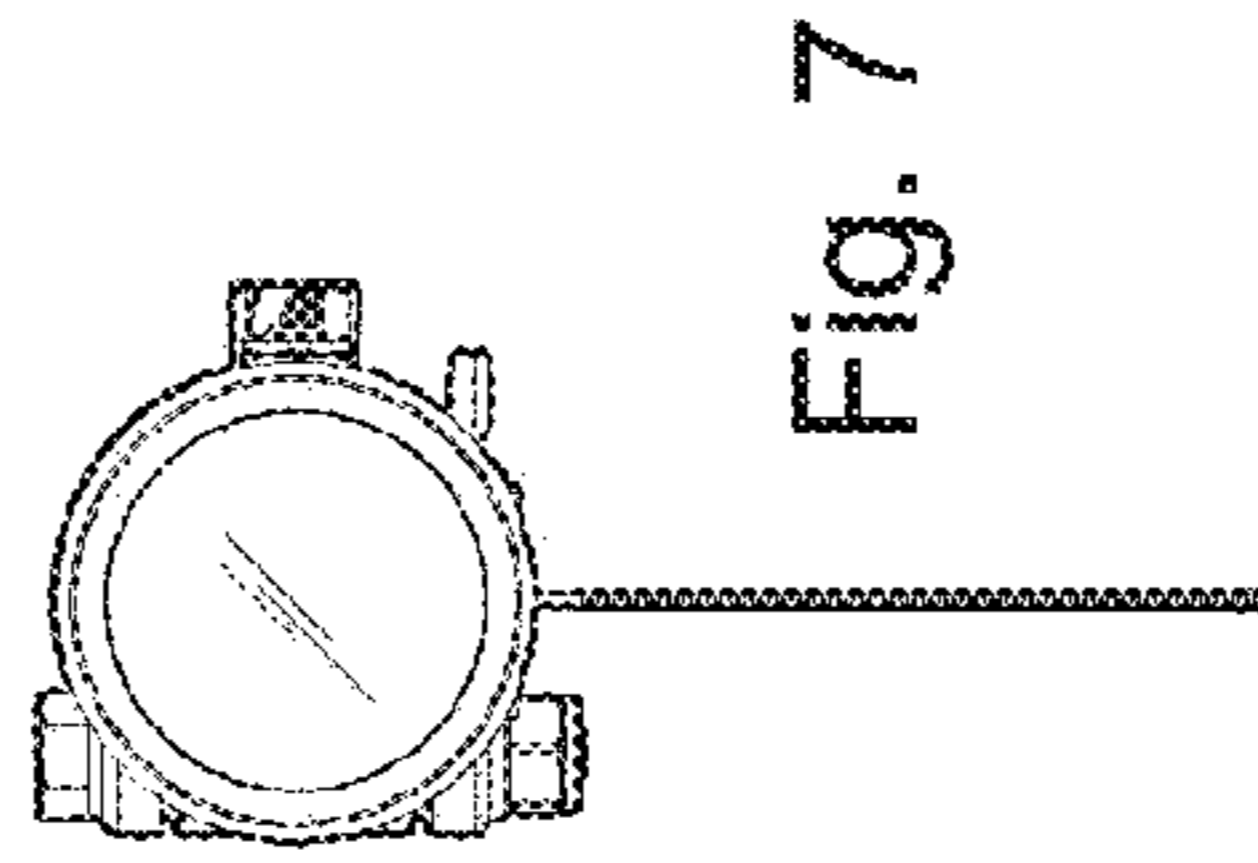


Fig. 7

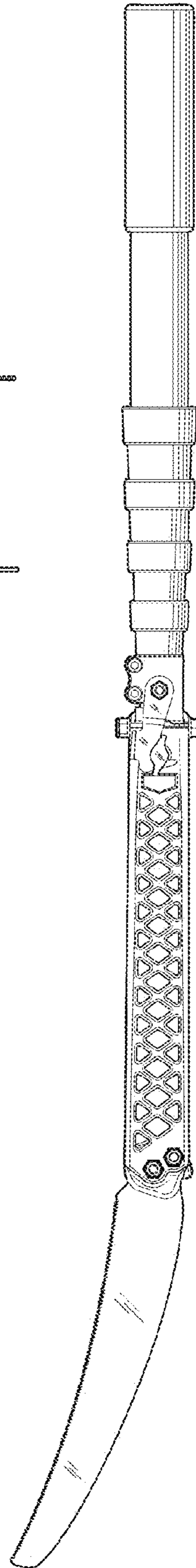


Fig. 8