

US00D723884S

(12) **United States Design Patent**
Buquoi

(10) **Patent No.:** **US D723,884 S**
(45) **Date of Patent:** **** Mar. 10, 2015**

- (54) **PLANTER CIRCLE RESERVOIR**
- (71) Applicant: **Flowerwindowboxes.com, Inc.**,
Cumming, GA (US)
- (72) Inventor: **Matthew Buquoi**, Cumming, GA (US)
- (73) Assignee: **Flowerwindowboxes.com, Inc.**,
Cumming, GA (US)
- (**) Term: **14 Years**
- (21) Appl. No.: **29/498,660**
- (22) Filed: **Aug. 6, 2014**
- (51) **LOC (10) Cl.** **08-01**
- (52) **U.S. Cl.**
USPC **D8/1**
- (58) **Field of Classification Search**
USPC D8/1; 47/65.8, 47, 40.5, 48.5, 43-44,
47/32.4, 32, 38; D23/213, 214
See application file for complete search history.

6,219,966	B1 *	4/2001	Lapointe et al.	47/62 C
6,247,268	B1 *	6/2001	Auer	47/62 R
6,643,978	B2 *	11/2003	Price	47/65.8
D506,110	S *	6/2005	Slobodnik et al.	D8/1
D510,846	S *	10/2005	Hardy	D8/1
D611,781	S *	3/2010	Sagedy	D8/1
D630,915	S *	1/2011	Buquoi	D8/1
8,166,704	B1 *	5/2012	Sydłowski	47/48.5
D669,752	S *	10/2012	DeMitchell et al.	D8/1
D687,925	S *	8/2013	Gill	D23/213

* cited by examiner

Primary Examiner — Sheryl Lane

(74) *Attorney, Agent, or Firm* — Miller and Martin, PLLC

(57) **CLAIM**

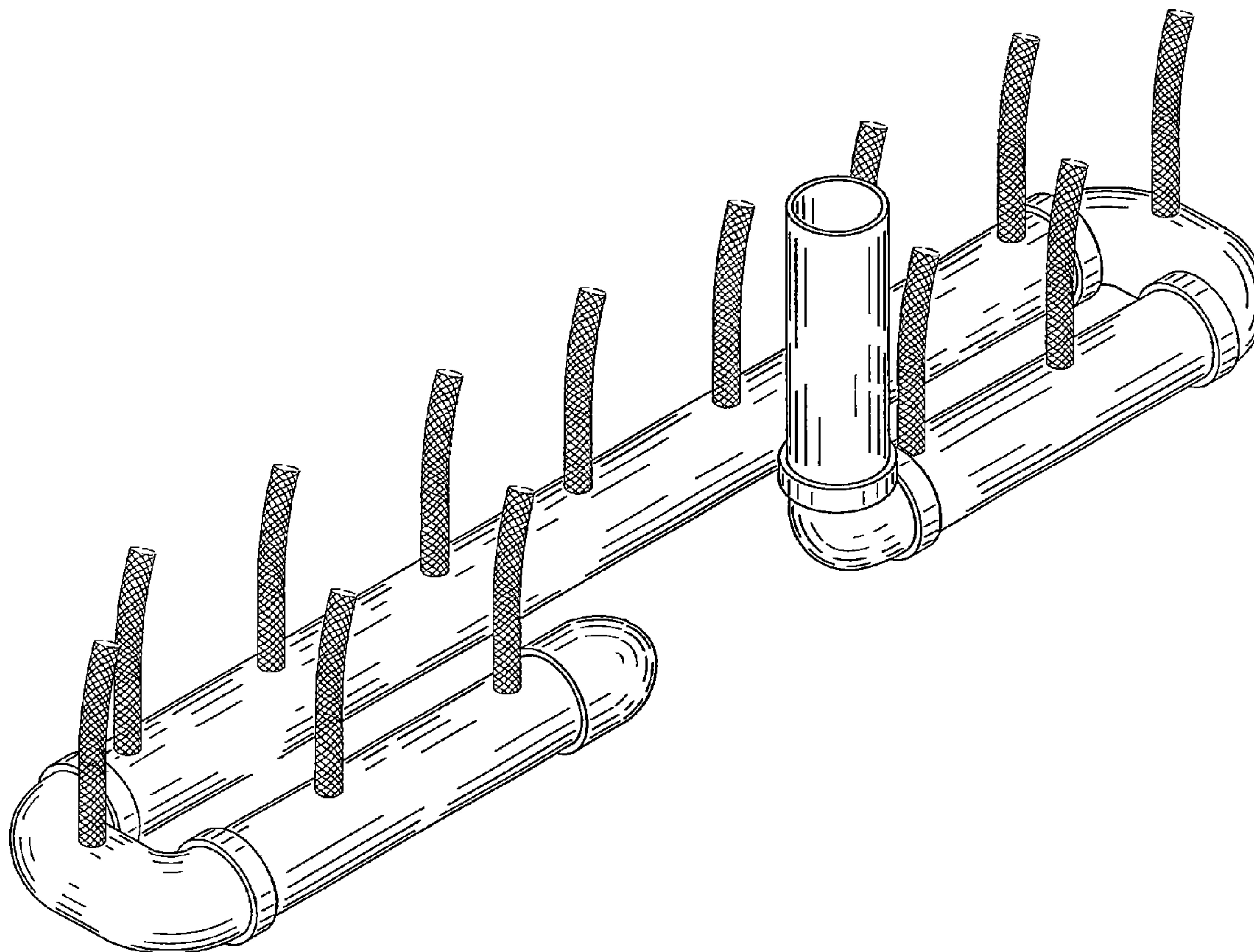
The ornamental design for a planter circle reservoir, as shown and described.

DESCRIPTION

FIG. 1 is a perspective view of the planter circle reservoir;
 FIG. 2 is a front view thereof;
 FIG. 3 is a rear view thereof;
 FIG. 4 is a top view thereof;
 FIG. 5 is a bottom view thereof;
 FIG. 6 is a right side view thereof; and,
 FIG. 7 is a left side view thereof.
 The portions of the article shown in broken lines form no part of the claimed design.

1 Claim, 4 Drawing Sheets

- (56) **References Cited**
U.S. PATENT DOCUMENTS
D55,401 S * 6/1920 Teats D21/564
3,800,471 A * 4/1974 Adams 47/79
D434,283 S * 11/2000 Dewey D8/1



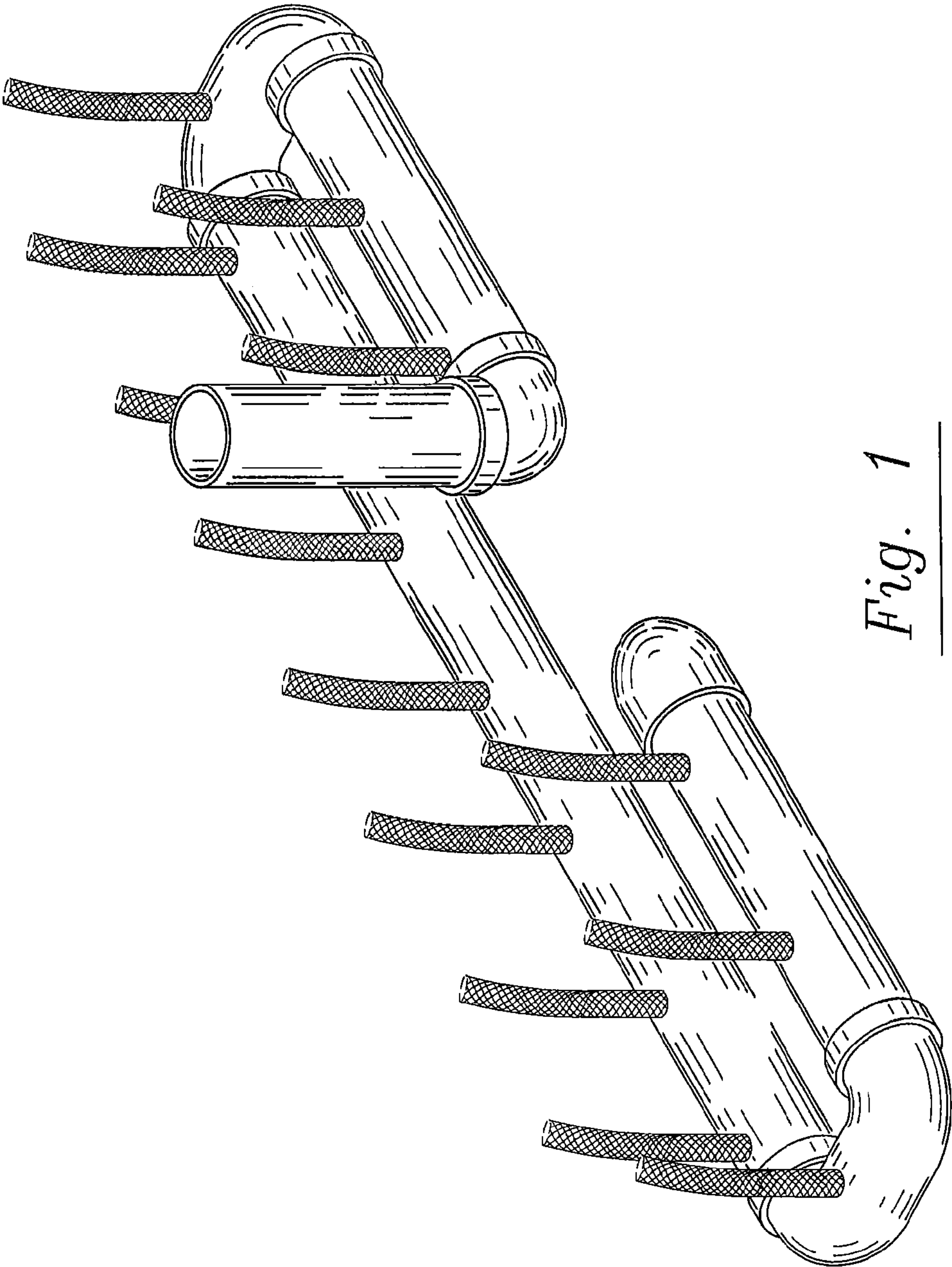


Fig. 1

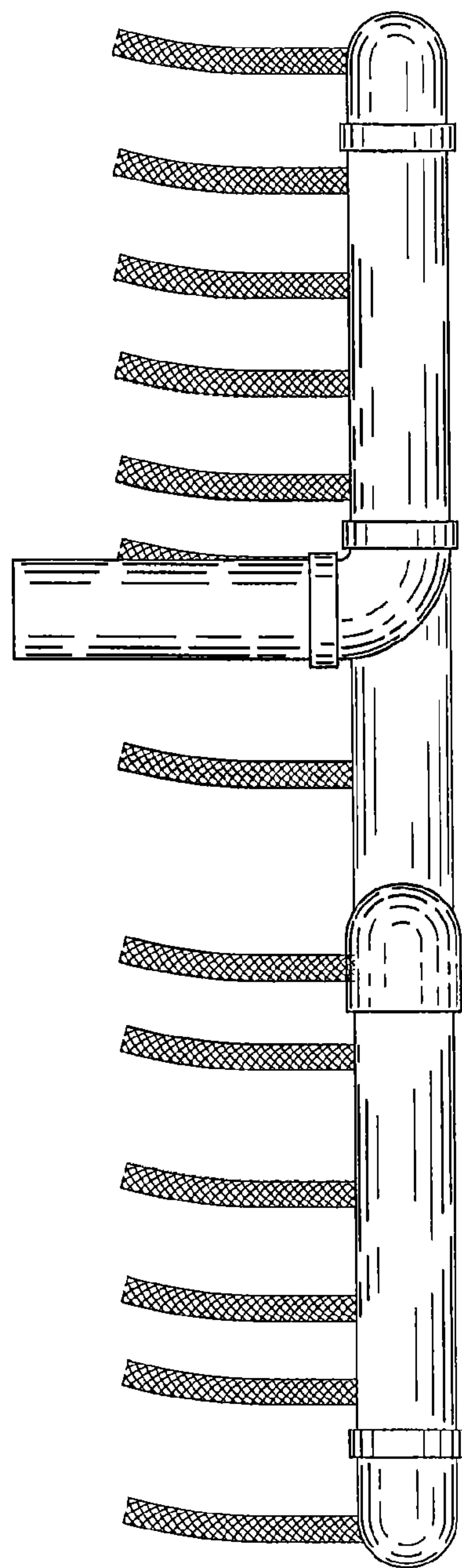


Fig. 2

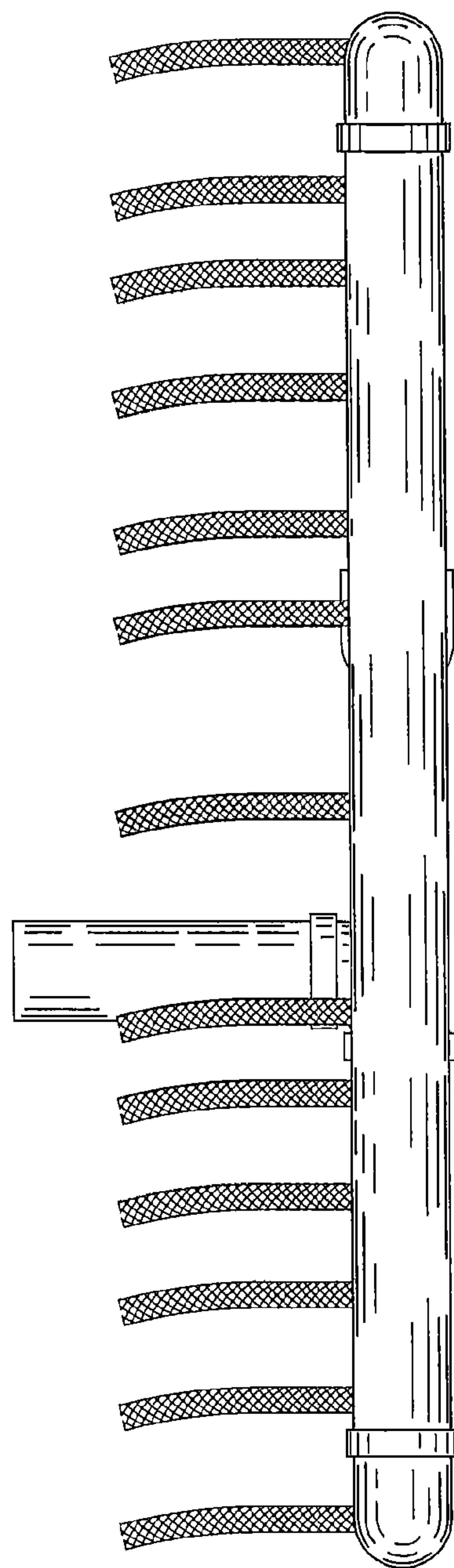


Fig. 3

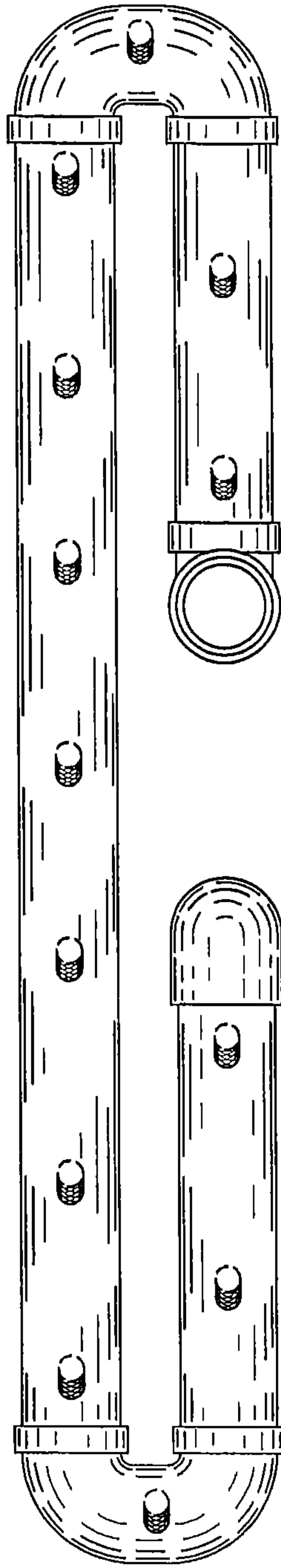


Fig. 4

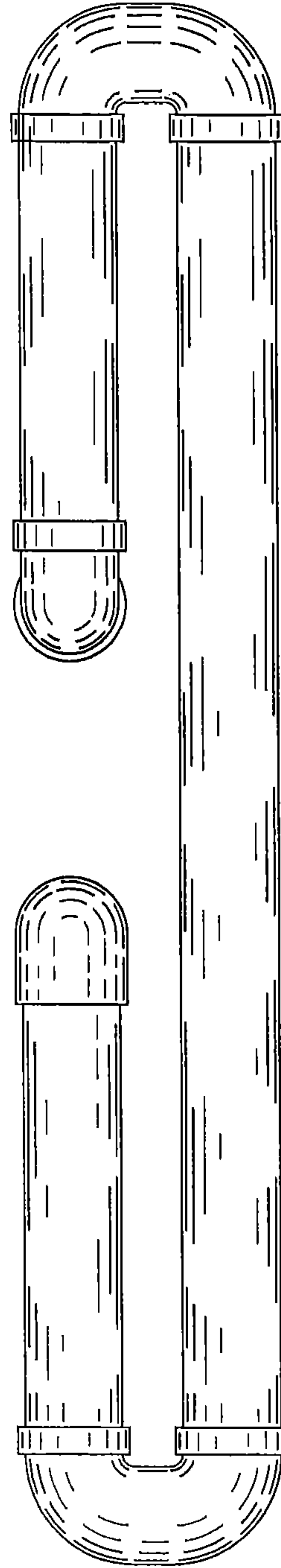


Fig. 5

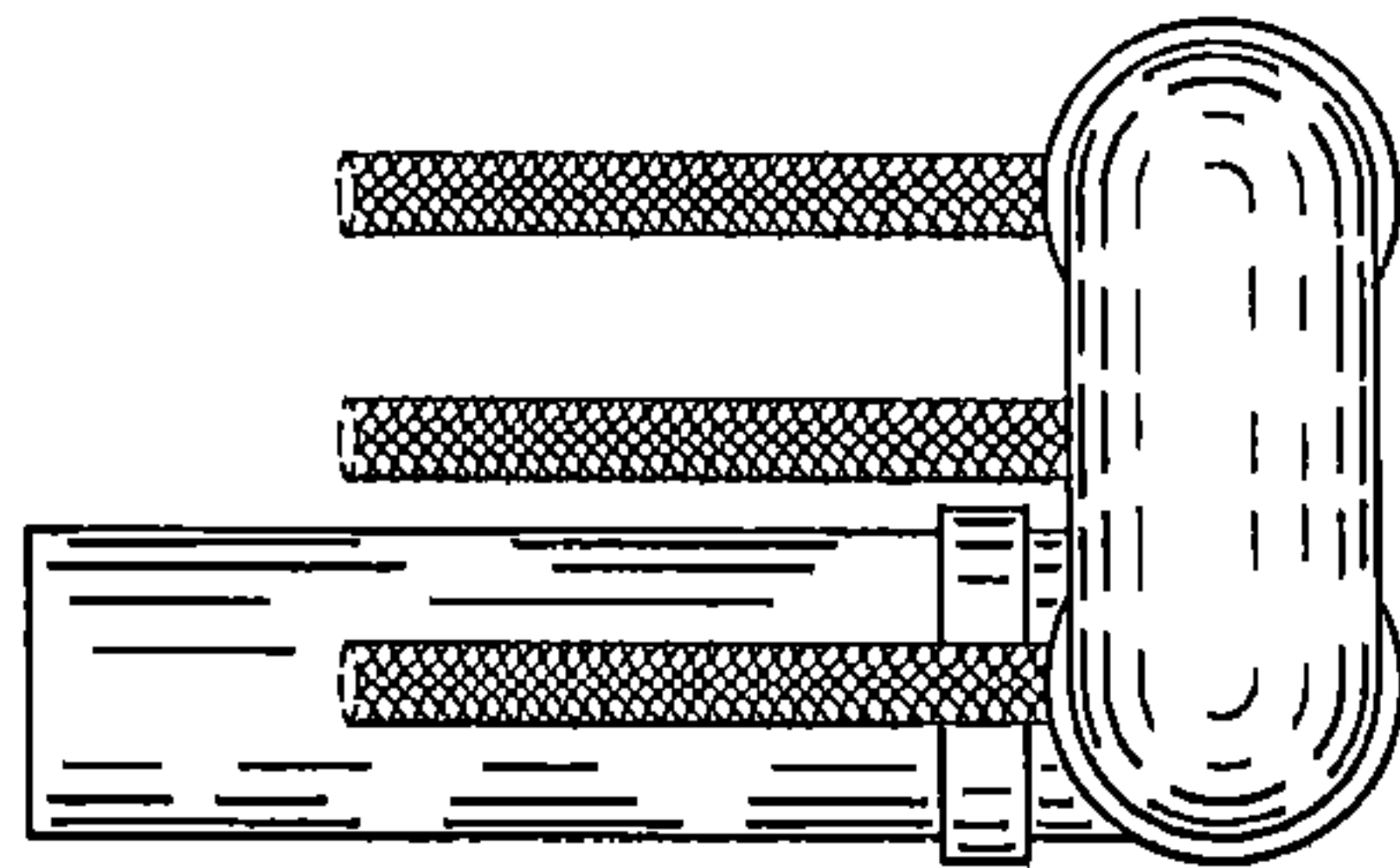


Fig. 7

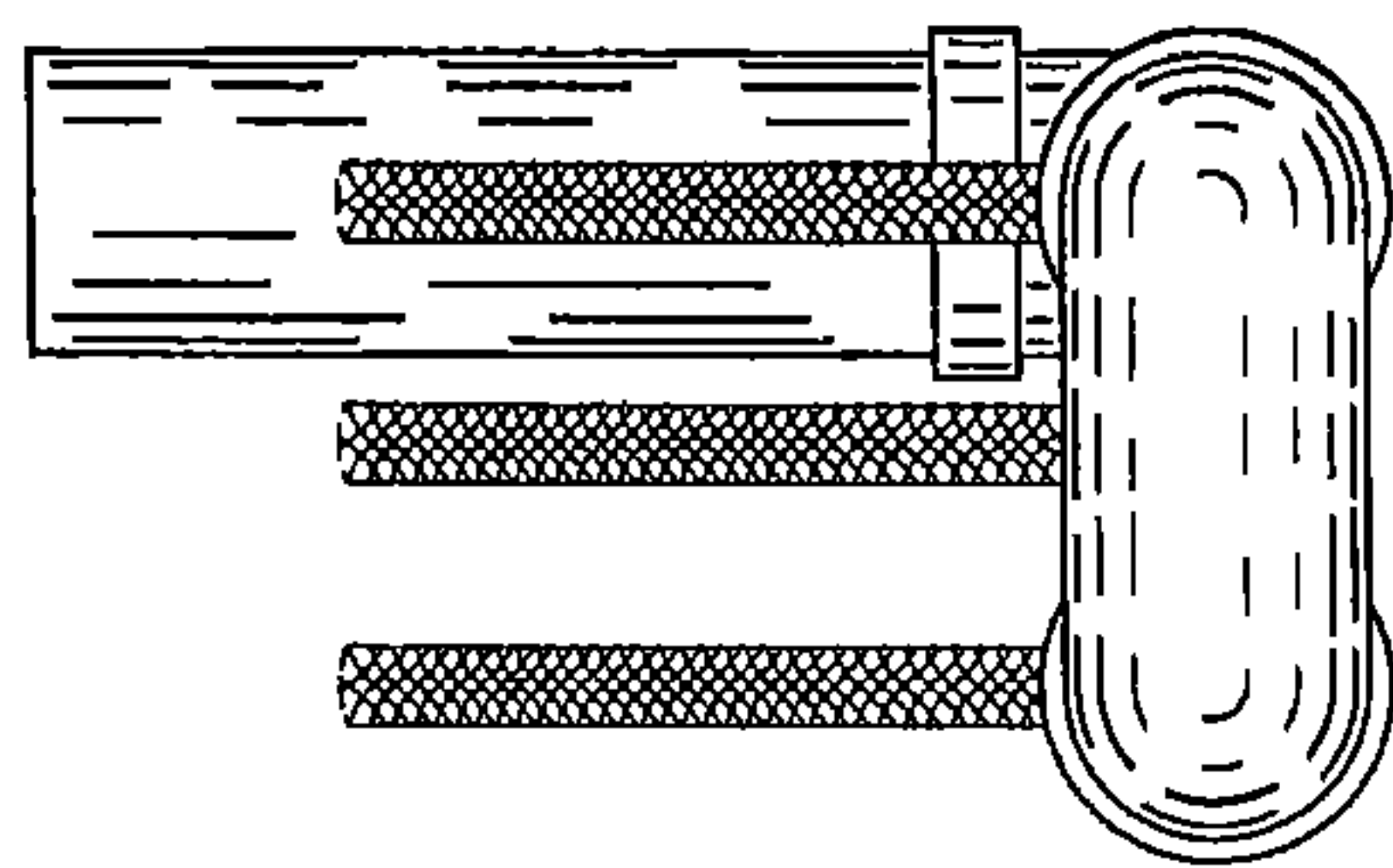


Fig. 6
