



US00D723882S

(12) **United States Design Patent**  
**Khuu**

(10) **Patent No.:** **US D723,882 S**  
(45) **Date of Patent:** **\*\* Mar. 10, 2015**

(54) **CHOPPING BOARD**

(71) Applicant: **Howard Khuu**, Long Island City, NY  
(US)  
(72) Inventor: **Howard Khuu**, Long Island City, NY  
(US)  
(73) Assignee: **Mango Leaf and Company Inc.**, Long  
Island, NY (US)

(\*\*) Term: **14 Years**

(21) Appl. No.: **29/478,637**

(22) Filed: **Jan. 7, 2014**

(51) **LOC (10) Cl.** ..... **07-04**

(52) **U.S. Cl.**  
USPC ..... **D7/698**

(58) **Field of Classification Search**  
CPC ..... A47J 47/00; A47J 47/005; A47J 47/20;  
B26D 7/0006; B26D 7/018; B26D 7/20;  
B23D 21/00; B23K 37/04; B23K 37/053;  
B23Q 16/001  
USPC ..... D7/543, 549, 550.1, 551.2, 586, 629,  
D7/667, 698-699; D20/42; D32/55-57;  
99/444, 446, 449; 269/13-15, 289 R,  
269/291, 297-298, 302.1, 315

See application file for complete search history.

(56) **References Cited**

U.S. PATENT DOCUMENTS

D160,480 S *	10/1950	Crook .....	D7/551.2
D225,764 S *	1/1973	Duecker .....	D7/698
4,907,789 A *	3/1990	Tice .....	269/13
D412,815 S *	8/1999	Porter .....	D7/698
D464,237 S *	10/2002	Kaposi .....	D7/698
D543,423 S *	5/2007	Benson .....	D7/698
D555,987 S *	11/2007	Williams .....	D7/698
D556,522 S *	12/2007	Martinez et al. ....	D7/698
D571,167 S *	6/2008	McCammon .....	D7/698
D615,826 S *	5/2010	Tsui .....	D7/698
D629,268 S *	12/2010	Shamoon .....	D7/698
D662,146 S *	6/2012	Podd .....	D20/42
D690,565 S *	10/2013	Stewart et al. ....	D7/698

\* cited by examiner

*Primary Examiner* — Ricky Pham

(74) *Attorney, Agent, or Firm* — Cozen O'Connor

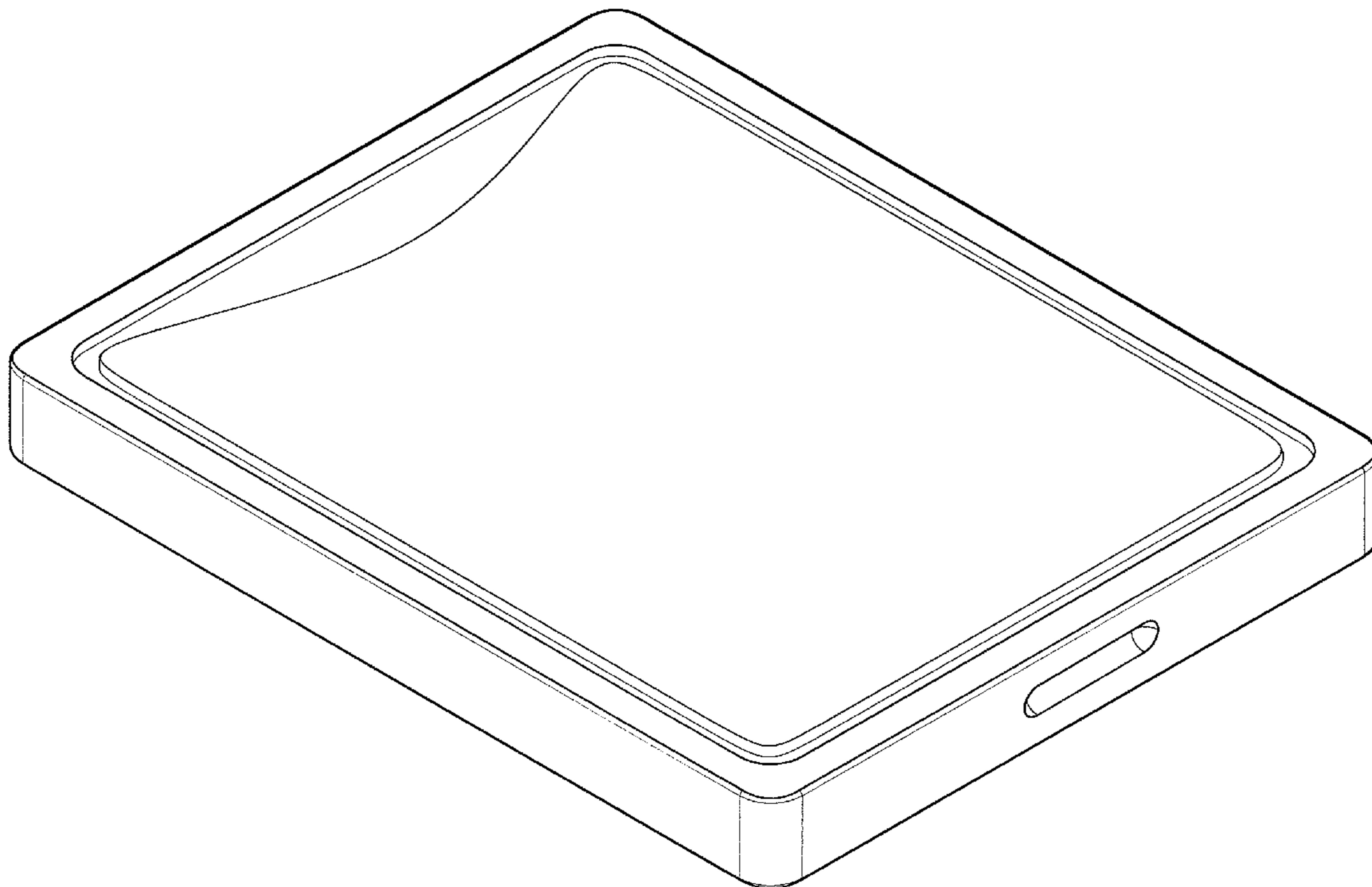
(57) **CLAIM**

The ornamental design for a chopping board, as shown and described.

**DESCRIPTION**

FIG. 1 is a top perspective view of a chopping board;  
FIG. 2 is a bottom perspective view thereof;  
FIG. 3 is a top view thereof;  
FIG. 4 is a right side view thereof, the left side view being the same; and,  
FIG. 5 is a front view thereof, the back view being the same.

**1 Claim, 4 Drawing Sheets**



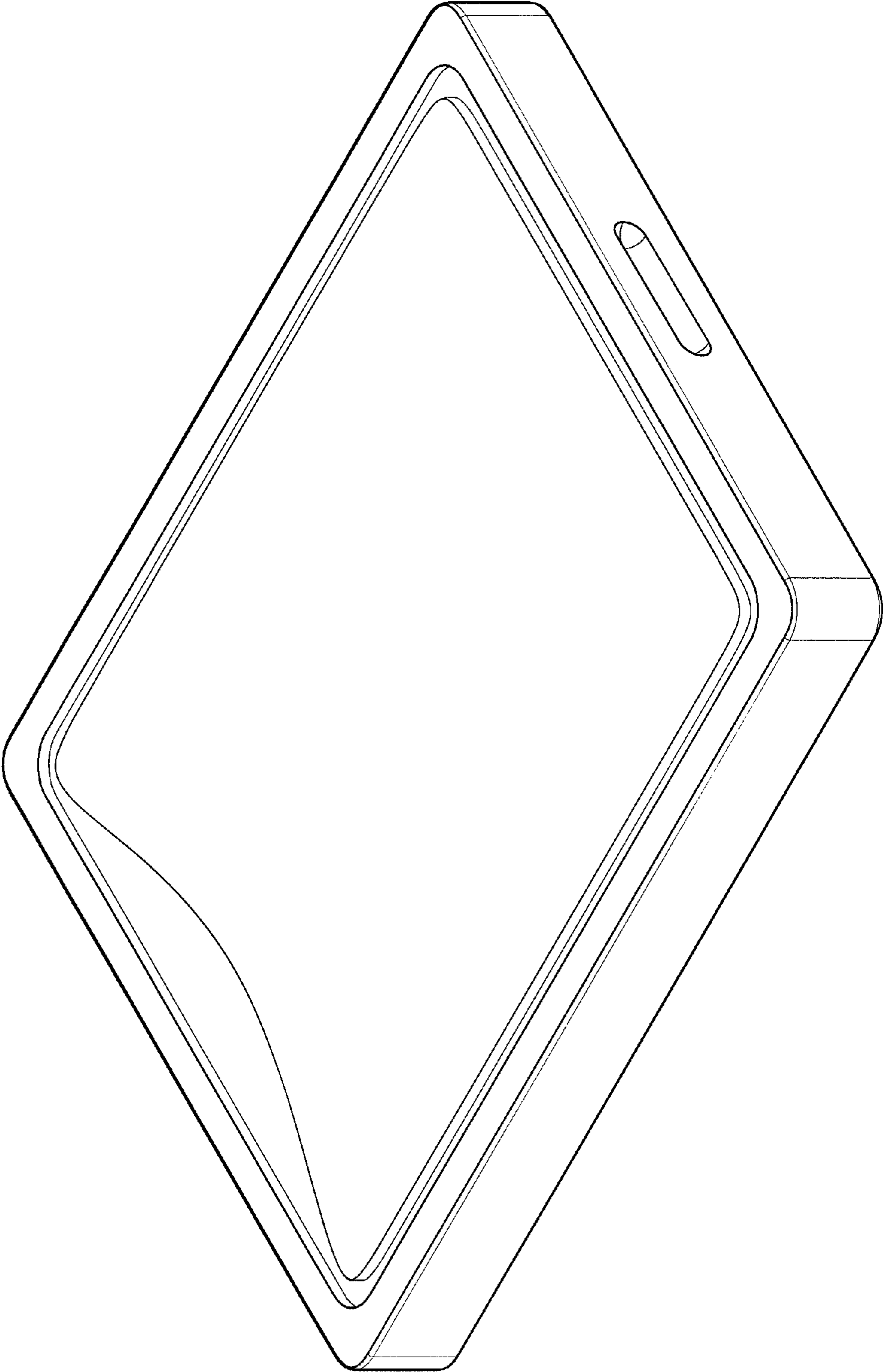


FIG. 1

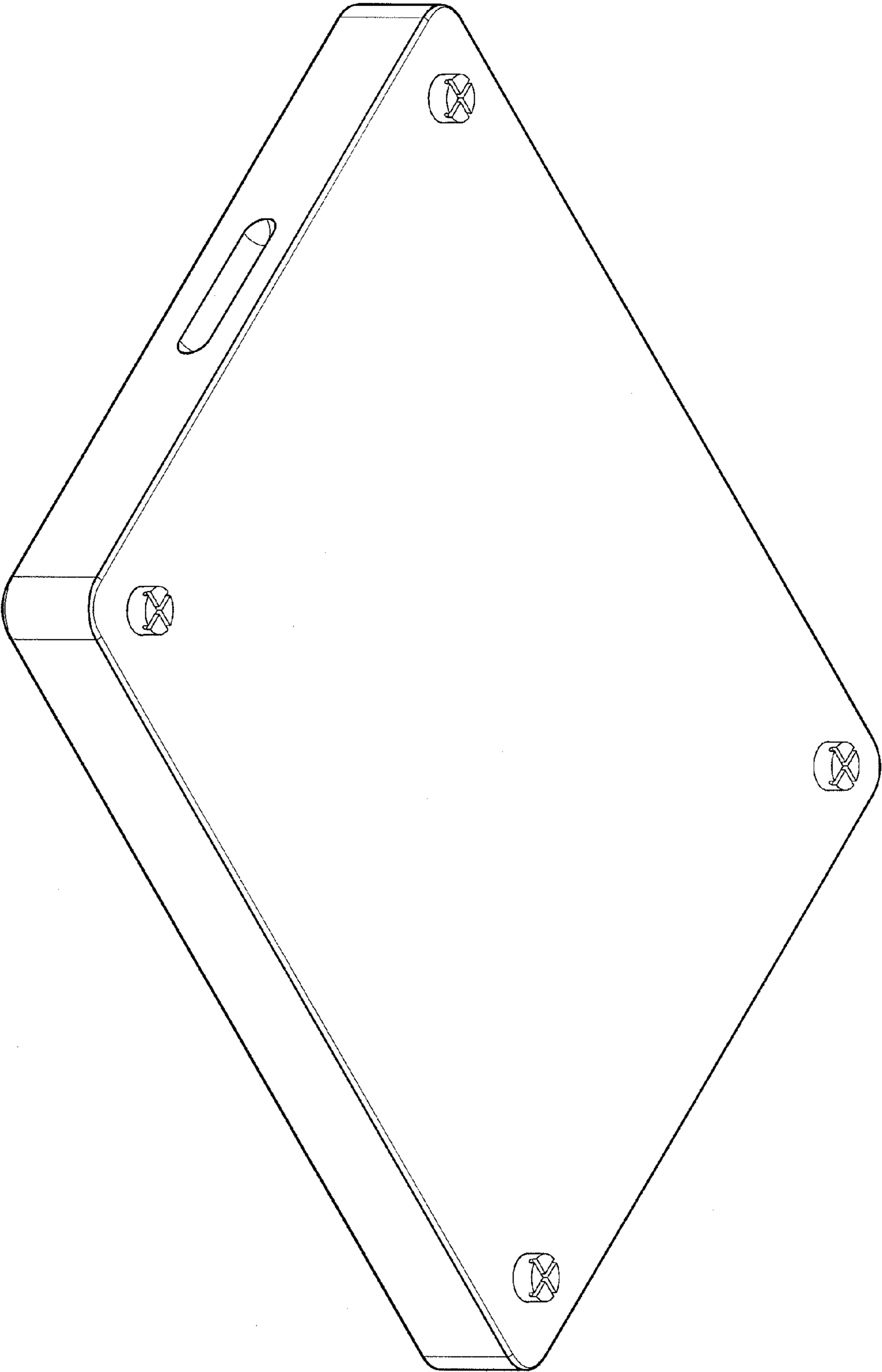


FIG. 2

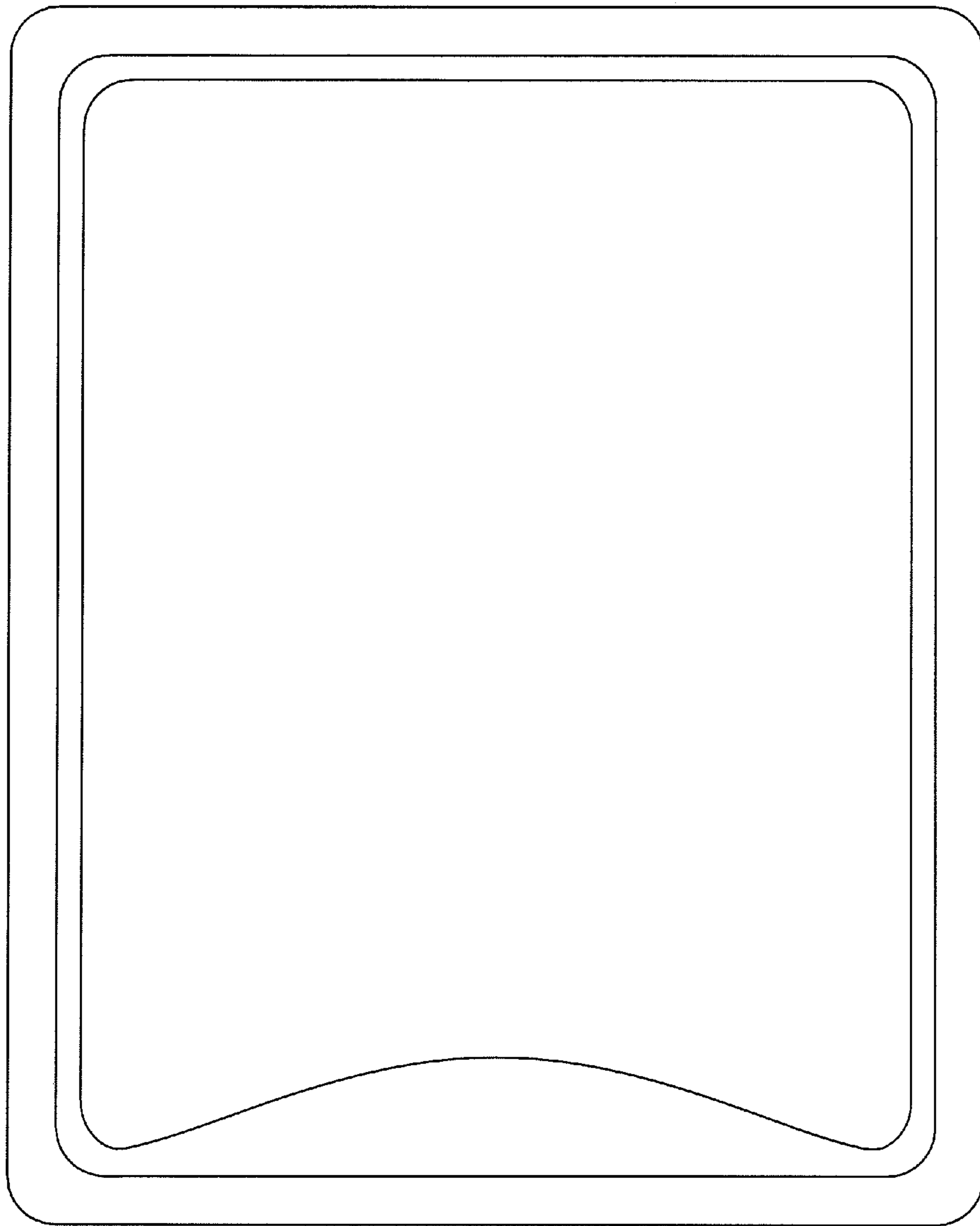


FIG. 3

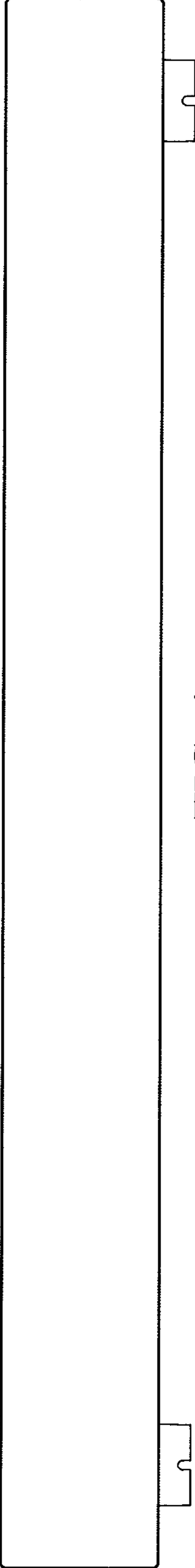


FIG. 4

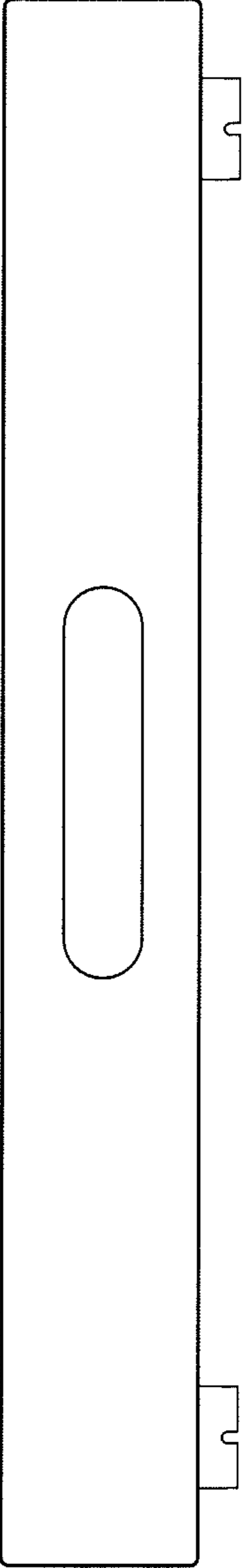


FIG. 5