



US00D723881S

(12) **United States Design Patent**
Cloutier et al.

(10) **Patent No.:** **US D723,881 S**
(45) **Date of Patent:** **** Mar. 10, 2015**

(54) **THIN SCRAPER SPATULA**

(71) Applicant: **Magellan Group, Ltd.**, Blaine, WA (US)

(72) Inventors: **Andre Dean Cloutier**, Blaine, WA (US);
Adriana Collins, Blaine, WA (US);
Debra Lynne Sasken-Duff, Blaine, WA (US);
Justin Riehl, Blaine, WA (US)

(73) Assignee: **Magellan Group, Ltd.**, Blaine, WA (US)

(**) Term: **14 Years**

(21) Appl. No.: **29/435,516**

(22) Filed: **Oct. 24, 2012**

(51) **LOC (10) Cl.** **07-02**

(52) **U.S. Cl.**
USPC **D7/688**

(58) **Field of Classification Search**
USPC D7/688, 669, 691, 689, 368; D32/40,
D32/46; 15/245.1, 236.01, 236.07; 294/7, 8;
416/22, 3 R, 231 A, 231 B
See application file for complete search history.

(56) **References Cited**

U.S. PATENT DOCUMENTS

D360,561 S *	7/1995	Littledeer	D7/688
D388,286 S *	12/1997	Fox	D7/653
D498,989 S *	11/2004	White et al.	D7/688
D618,070 S *	6/2010	Jalet et al.	D7/691
D628,448 S *	12/2010	Genatossio	D7/691
2007/0050986 A1 *	3/2007	Foster et al.	30/142

* cited by examiner

Primary Examiner — Terry Wallace

(74) *Attorney, Agent, or Firm* — Dwayne E. Rogge; Schacht Law Office, Inc.

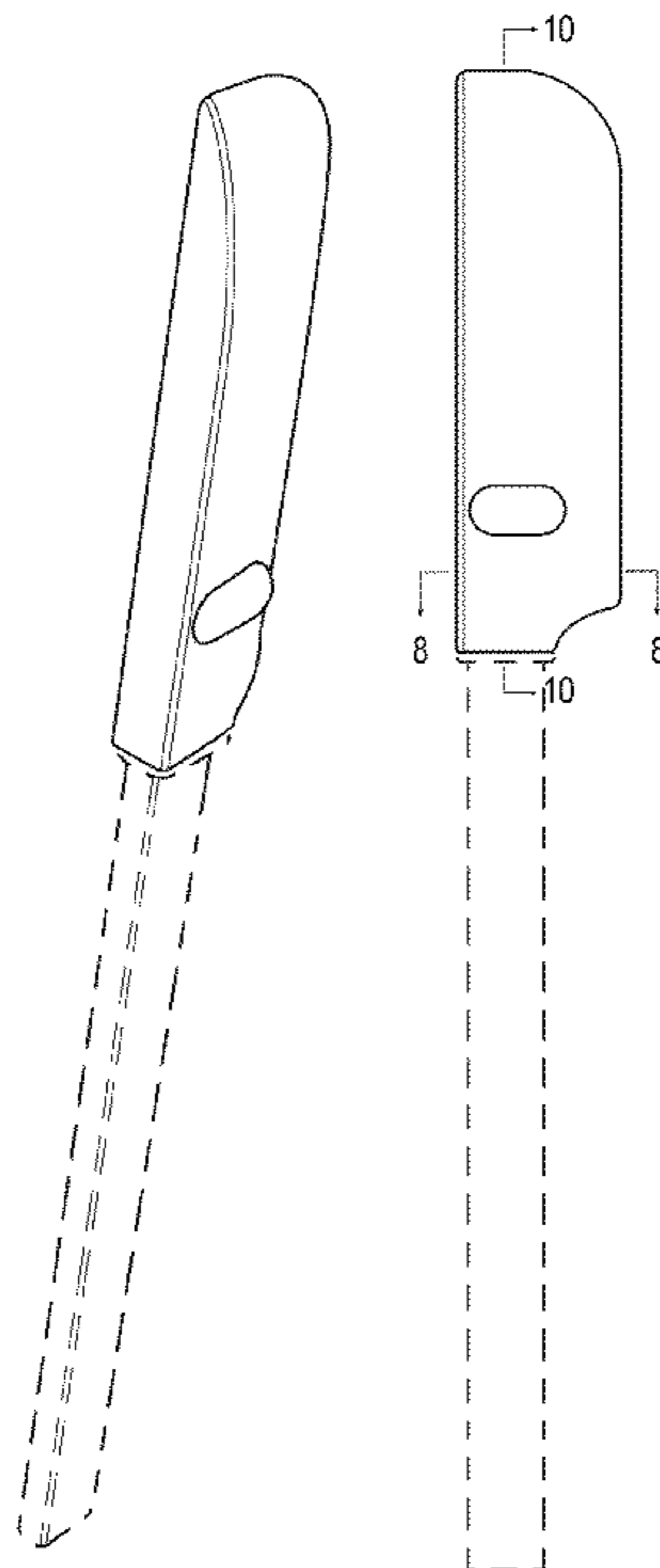
(57) **CLAIM**

The ornamental design for a thin scraper spatula, as shown and described.

DESCRIPTION

FIG. 1 is an isometric view of the thin scraper spatula thereof.
 FIG. 2 is a rear view thereof.
 FIG. 3 is a front view thereof.
 FIG. 4 is a rear detail view showing contours thereof as broken lines.
 FIG. 5 is a front detail view showing contours thereof as broken lines.
 FIG. 6 is top view thereof.
 FIG. 7 is bottom view thereof.
 FIG. 8 is a section surface view taken along line 8-8 of FIG. 2.
 FIG. 9 is a right side view thereof.
 FIG. 10 is a section surface view taken along line 10-10 of FIG. 2; and,
 FIG. 11 is a left side view thereof.
 Any contour lines shown in the drawings are for illustrative purposes of the visible environmental structure or contour. The handle shown by broken lines attached to the spatula for illustrative purposes in FIGS. 1, 2, 3, 7, 9, and 11 forms no part of the claimed design.

1 Claim, 3 Drawing Sheets



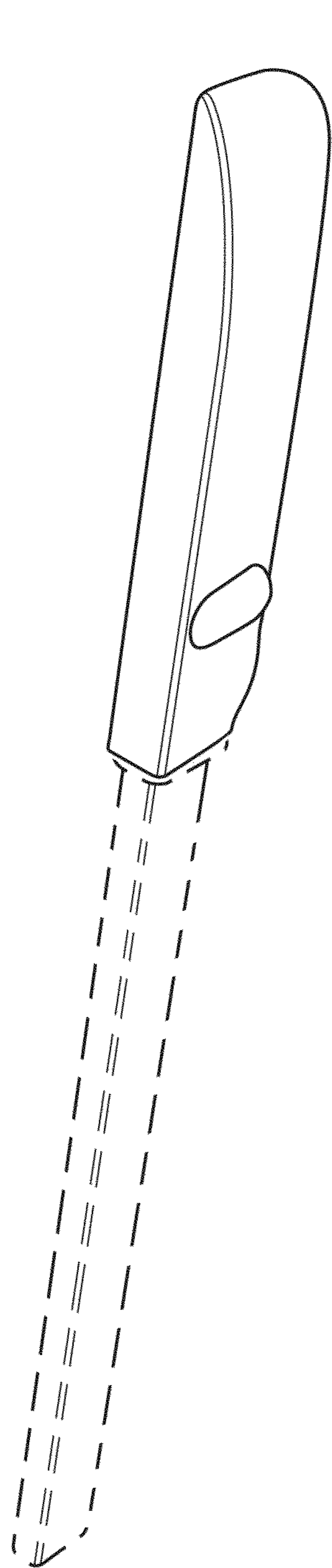


Fig. 1

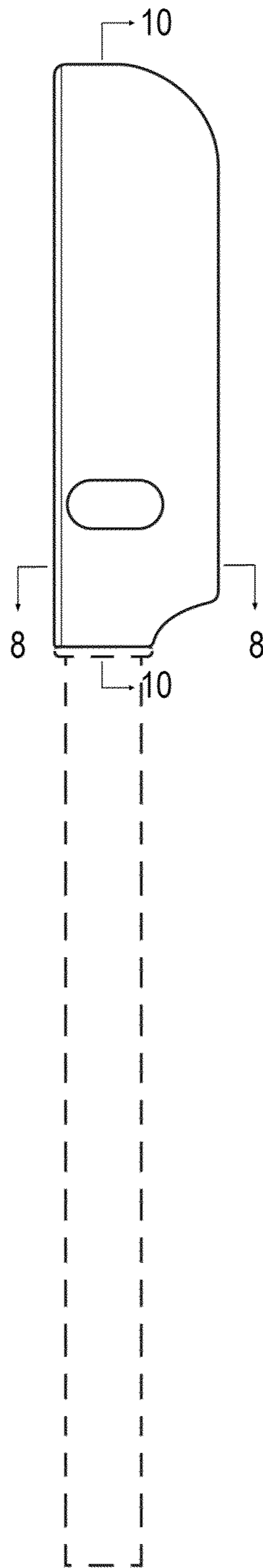


Fig. 2

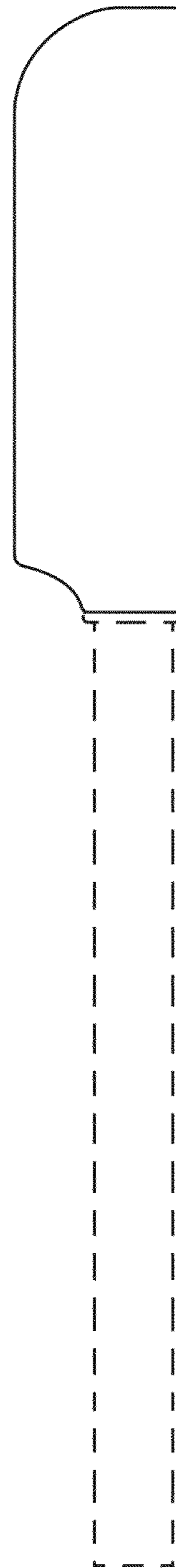


Fig. 3

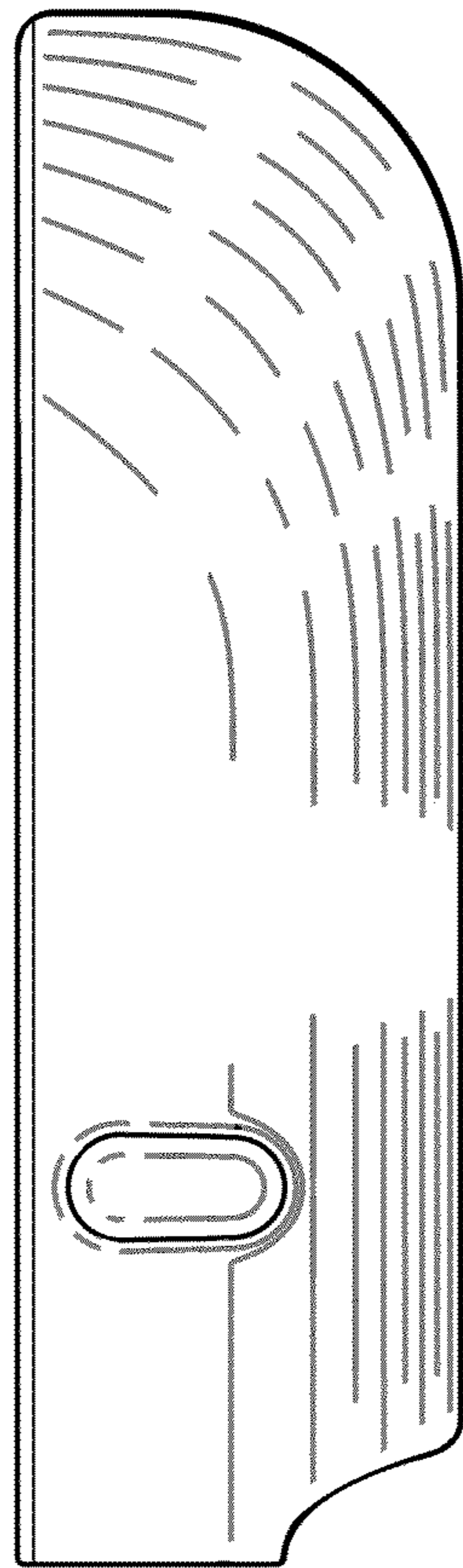


Fig. 4

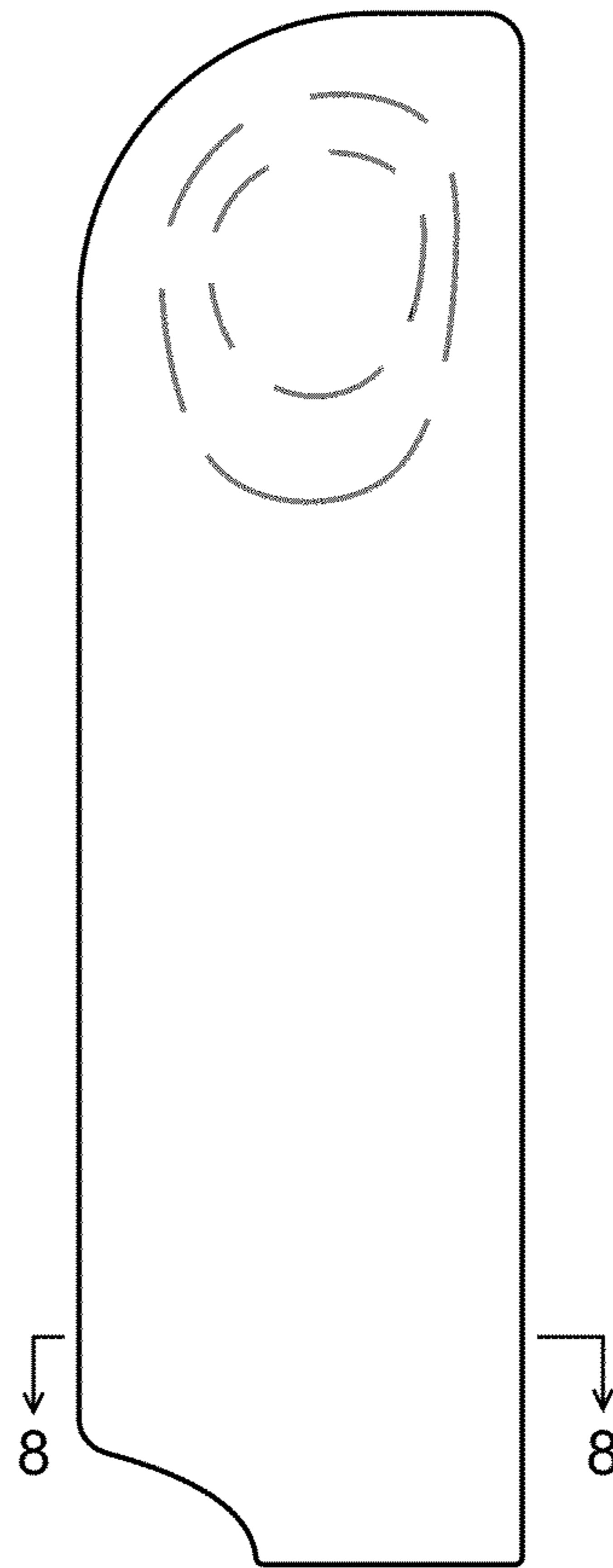


Fig. 5



Fig. 6

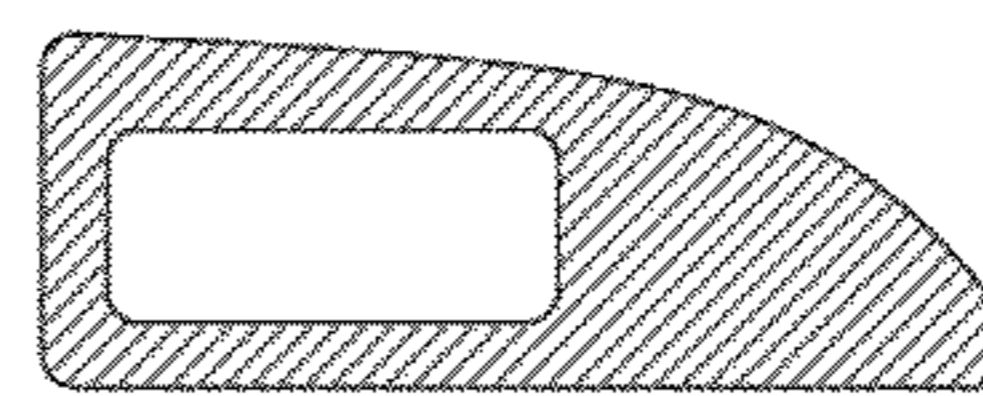


Fig. 8

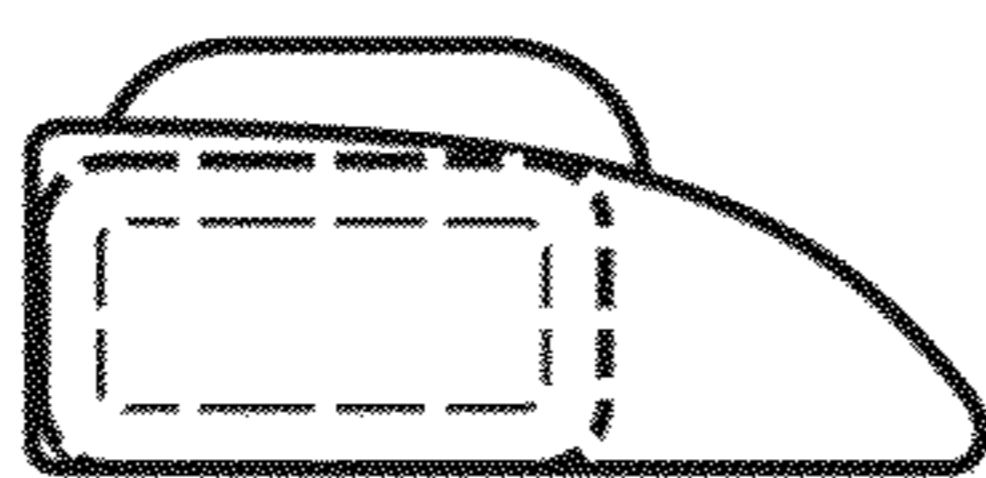


Fig. 7

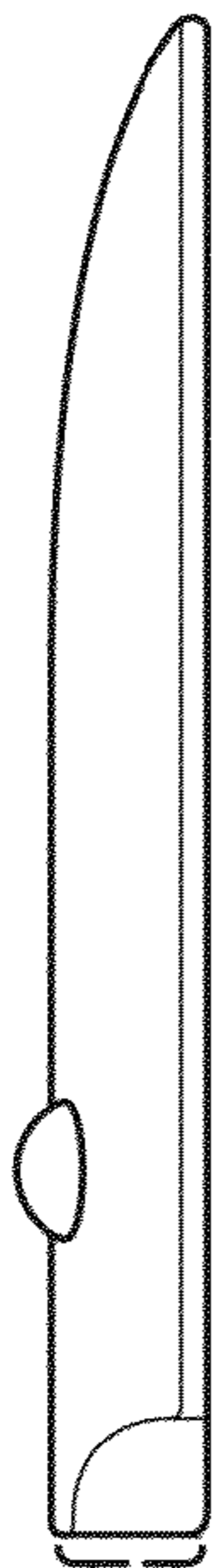


Fig. 9

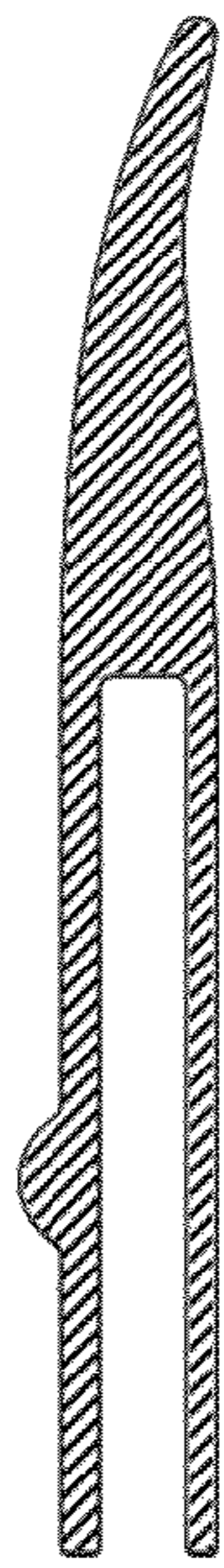


Fig. 10



Fig. 11