



US00D723880S

(12) **United States Design Patent**
Henry et al.

(10) **Patent No.:** **US D723,880 S**
(45) **Date of Patent:** **** Mar. 10, 2015**

(54) **TOASTER TONGS**

(71) Applicant: **Robinson Home Products Inc.**,
Williamsville, NY (US)

(72) Inventors: **Lou Henry**, Scarsdale, NY (US); **John Healy**, Brooklyn, NY (US)

(73) Assignee: **Robinson Home Products Inc.**,
Williamsville, NY (US)

(**) Term: **14 Years**

(21) Appl. No.: **29/483,622**

(22) Filed: **Feb. 28, 2014**

(51) **LOC (10) Cl.** **07-06**

(52) **U.S. Cl.**
USPC **D7/686**

(58) **Field of Classification Search**
USPC D7/669, 368, 680-696, 387; 294/118,
294/119, 99.1, 99.2, 49, 55.5, 26, 3, 16;
30/124, 142, 355; 7/109, 110, 113;
D8/14, 71, 74

See application file for complete search history.

(56) **References Cited**

U.S. PATENT DOCUMENTS

D266,640 S * 10/1982 Trombly D7/686
D505,599 S * 5/2005 Fiedeler et al. D7/686

* cited by examiner

Primary Examiner — Terry Wallace

(74) *Attorney, Agent, or Firm* — Florek & Endres PLLC

(57) **CLAIM**

We claim the ornamental design for toaster tongs, as shown and described.

DESCRIPTION

FIG. 1 is a perspective view of the toaster tongs of the invention.

FIG. 2 is a top plan view of the toaster tongs of the invention.

FIG. 3 is a bottom plan view of the toaster tongs of the invention.

FIG. 4 is a right side elevation of the toaster tongs of the invention.

FIG. 5 is a left side elevation of the toaster tongs of the invention.

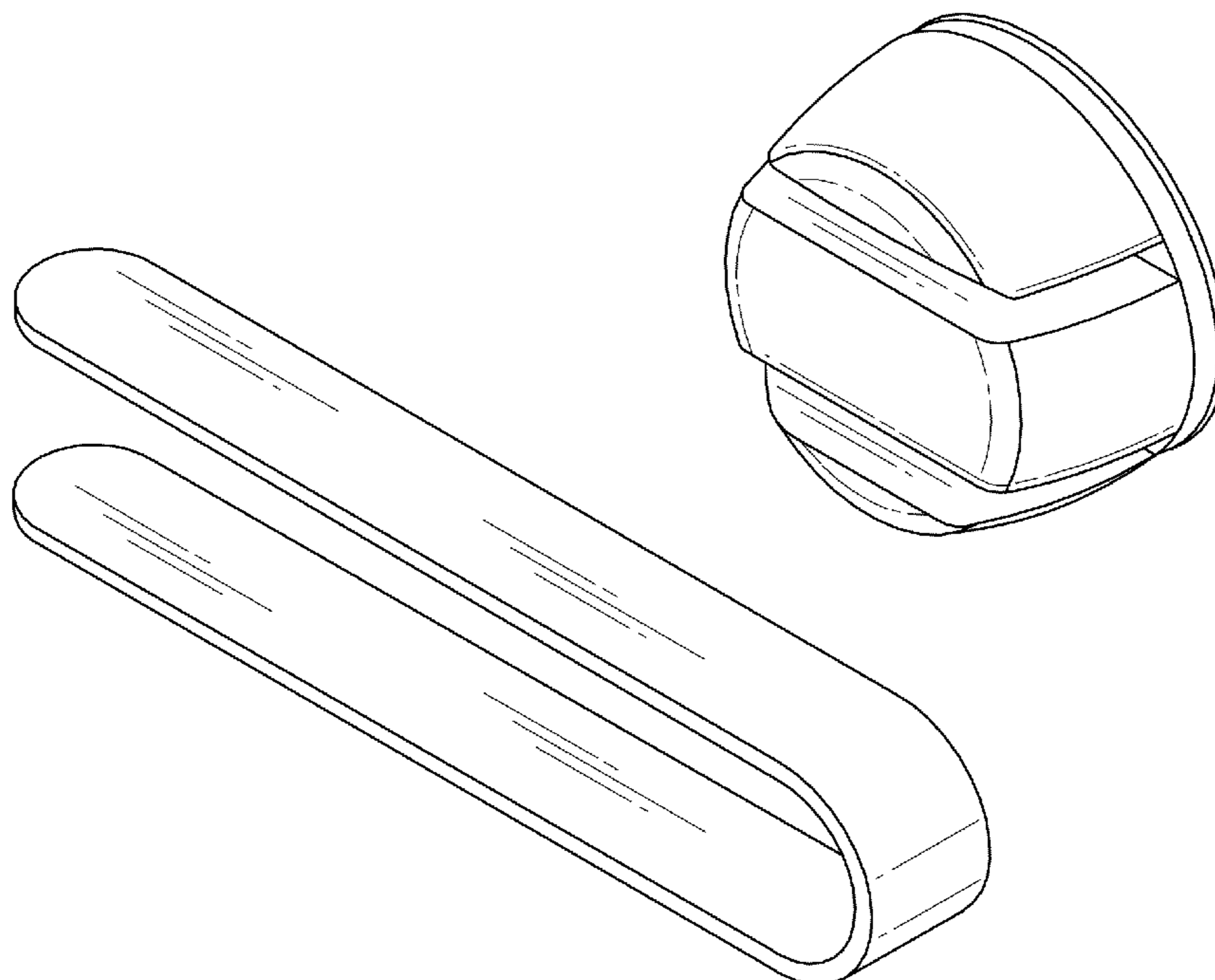
FIG. 6 is a front elevation of the toaster tongs of the invention.

FIG. 7 is a rear elevation of the toaster tongs of the invention; and,

FIG. 8 is an exploded perspective view of the toaster tongs of the invention.

The broken lines in the drawings represent unclaimed features.

1 Claim, 7 Drawing Sheets



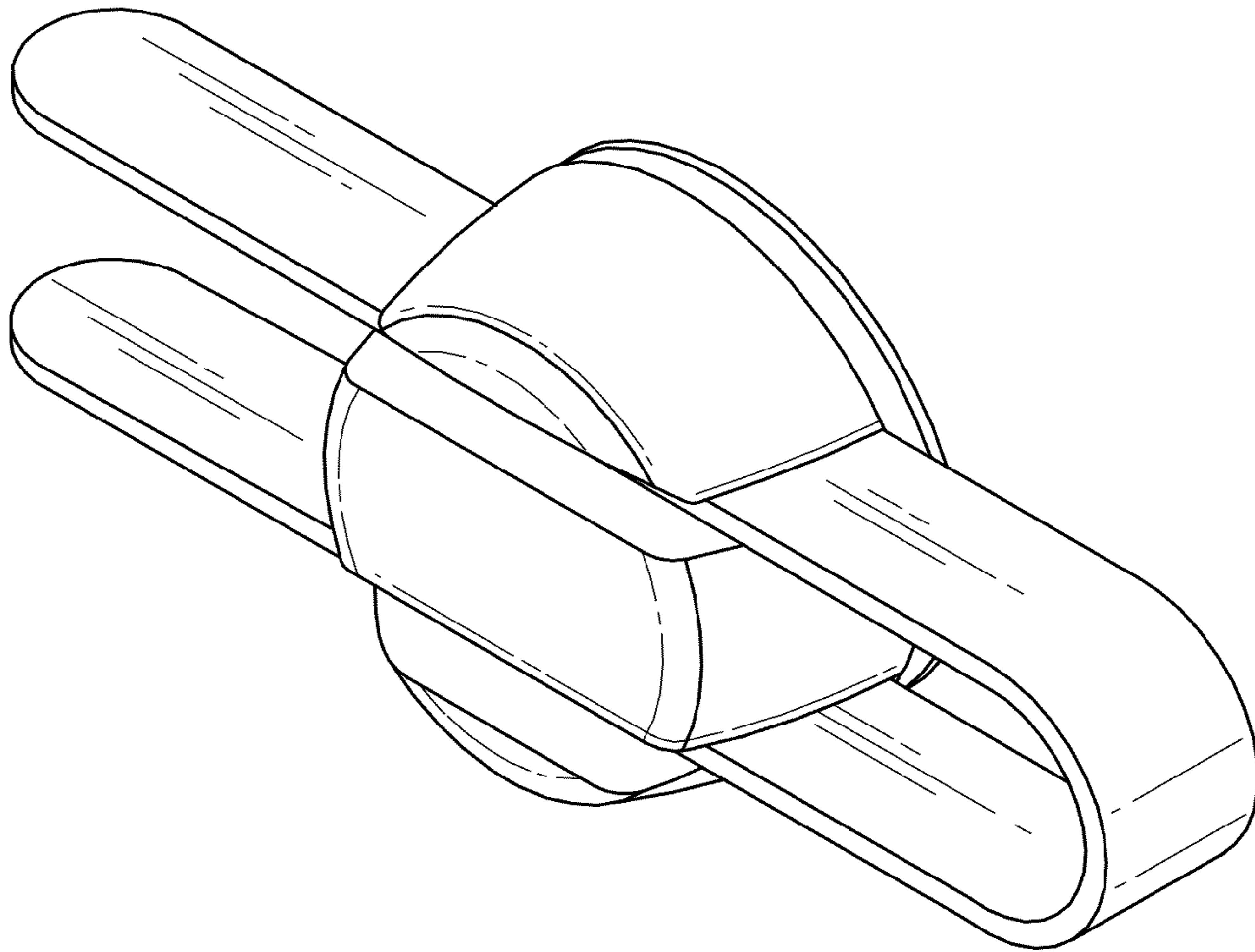


FIG. 1

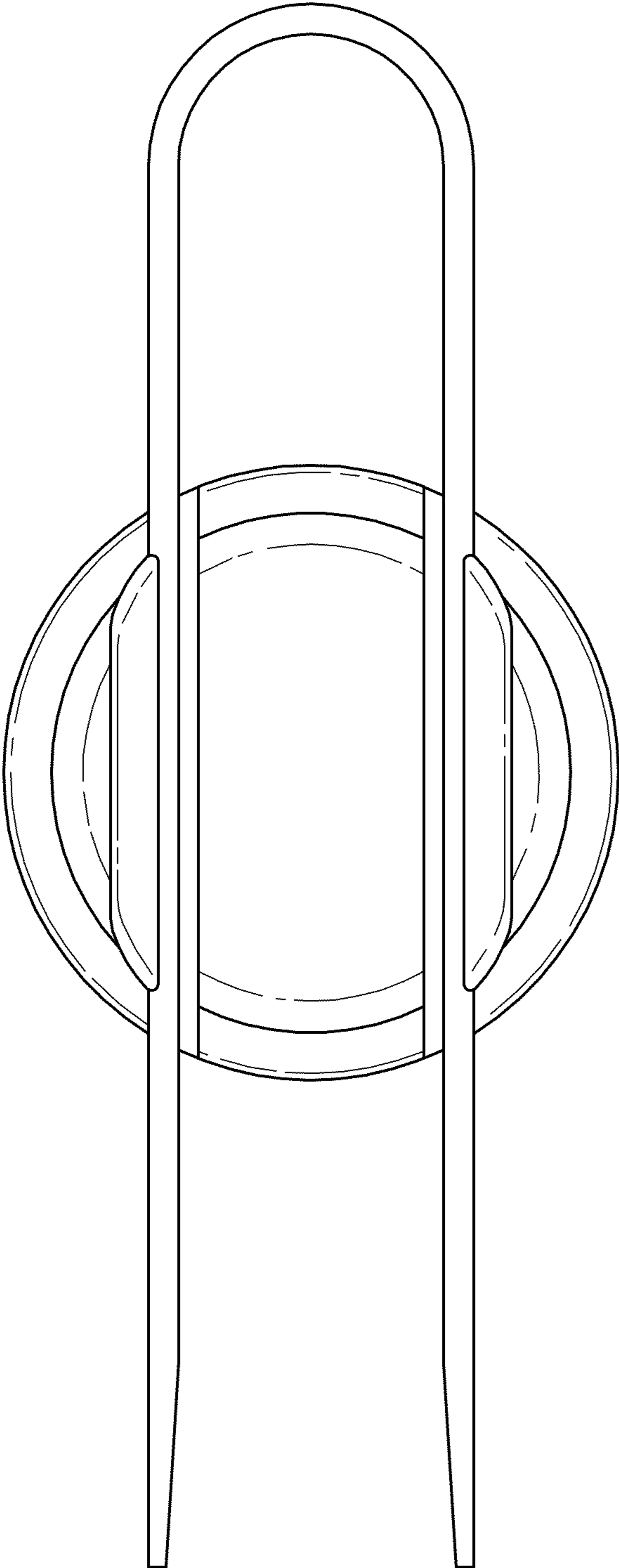


FIG. 2

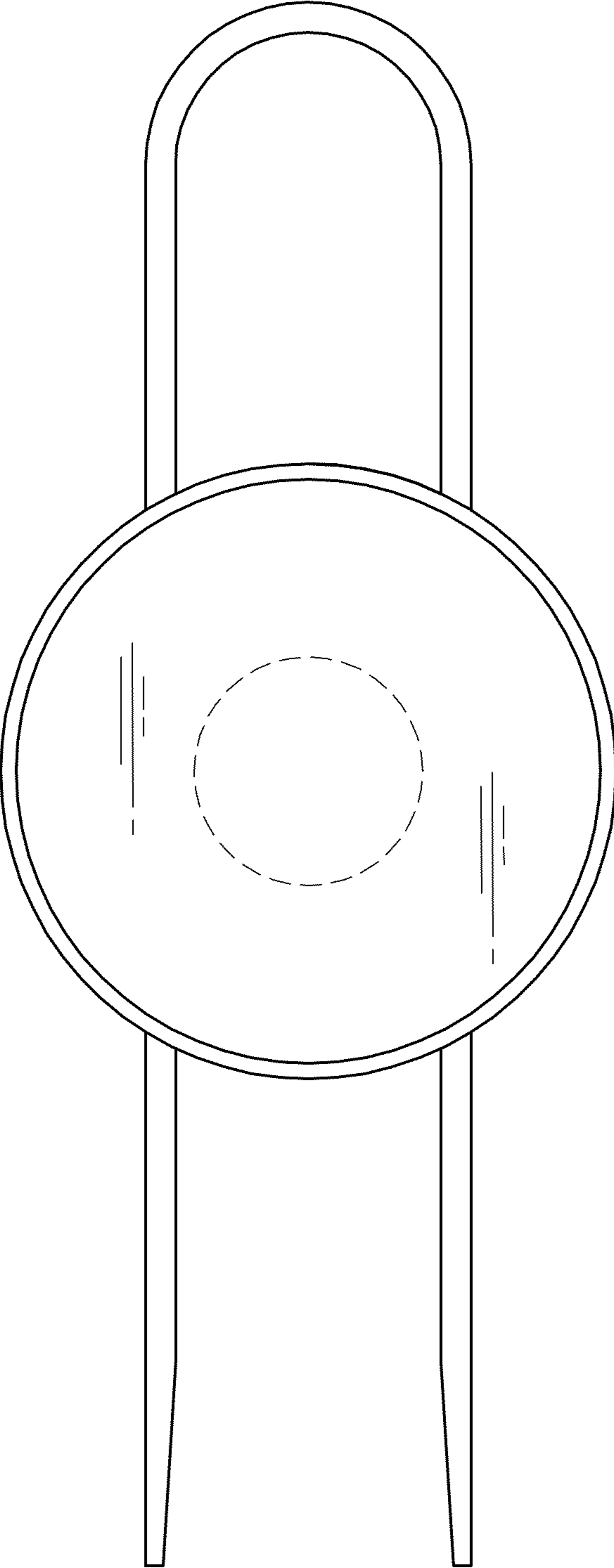


FIG. 3

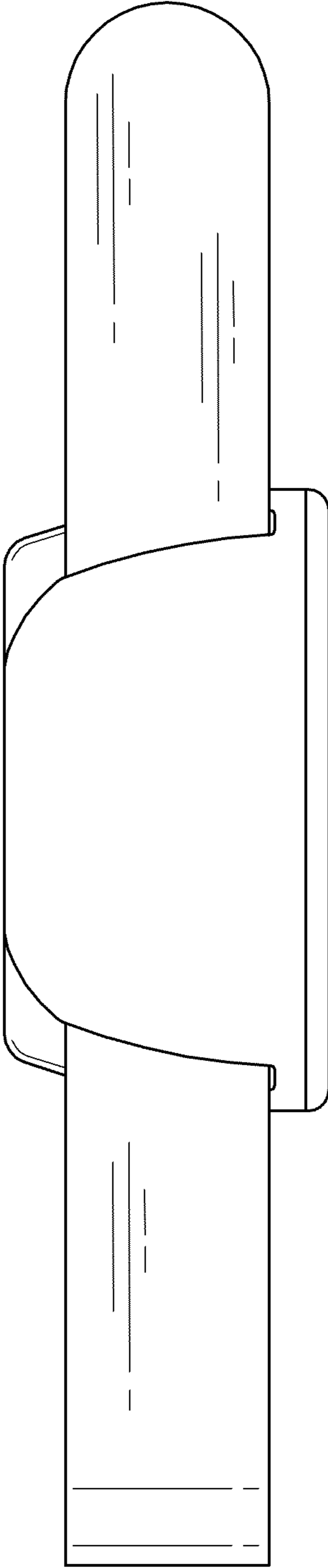


FIG. 4

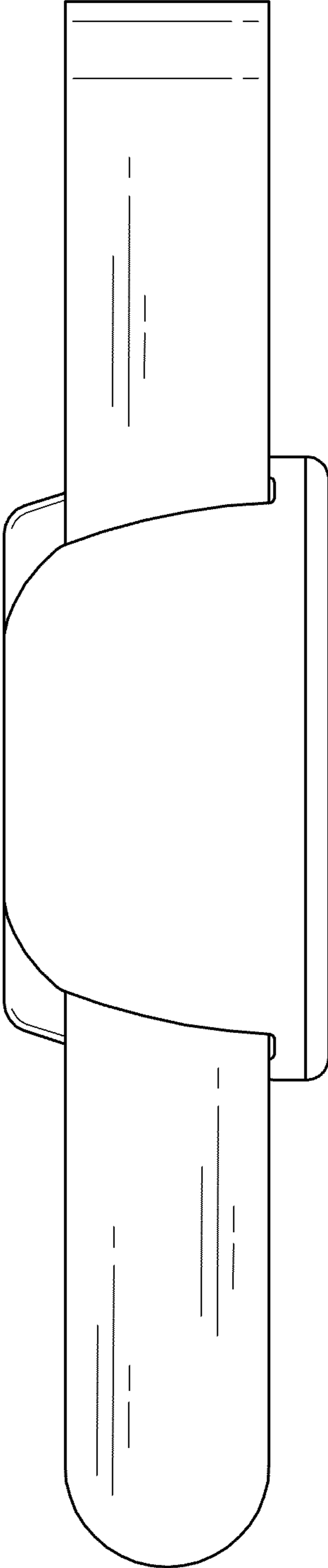


FIG. 5

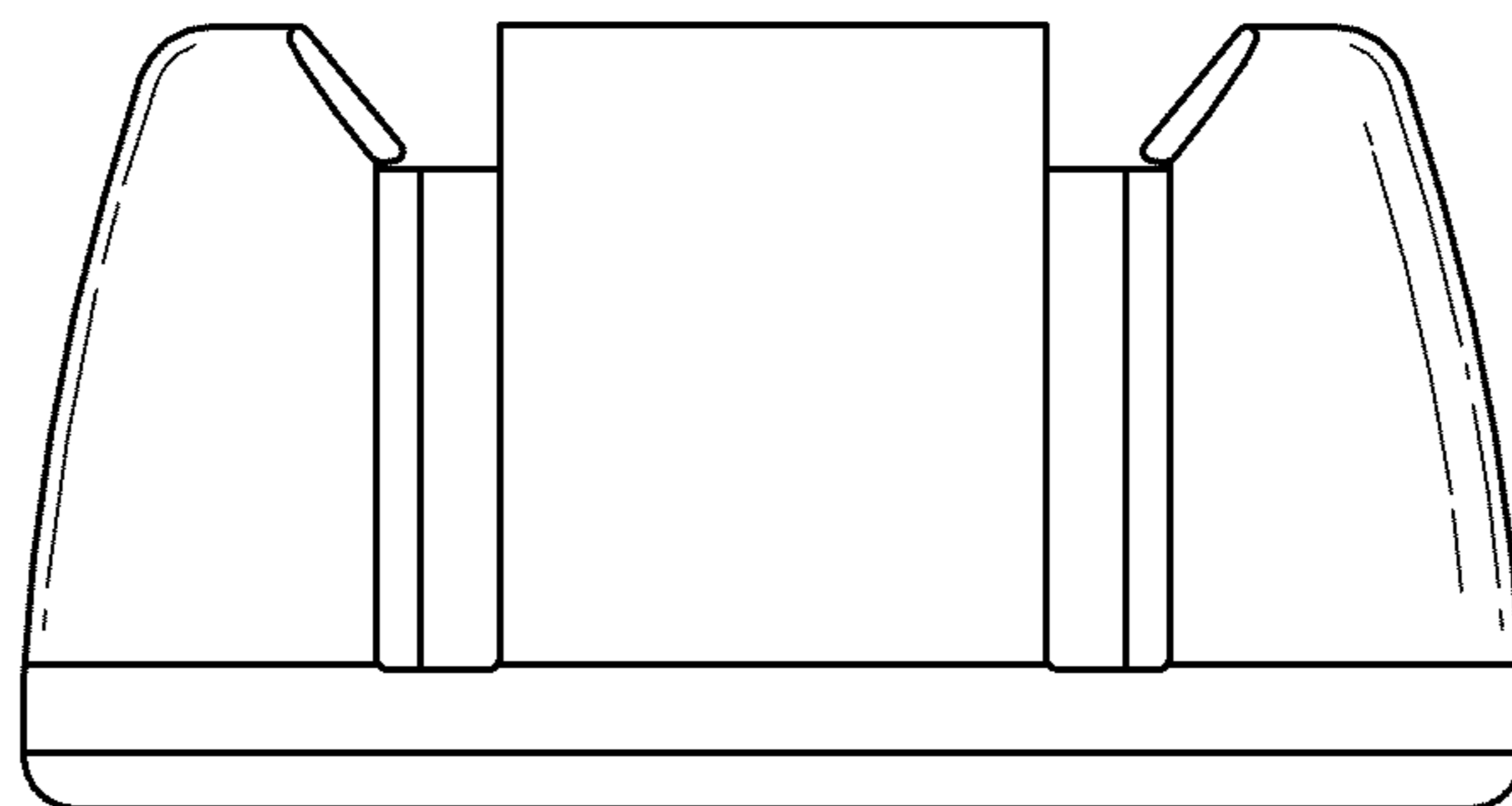


FIG. 6

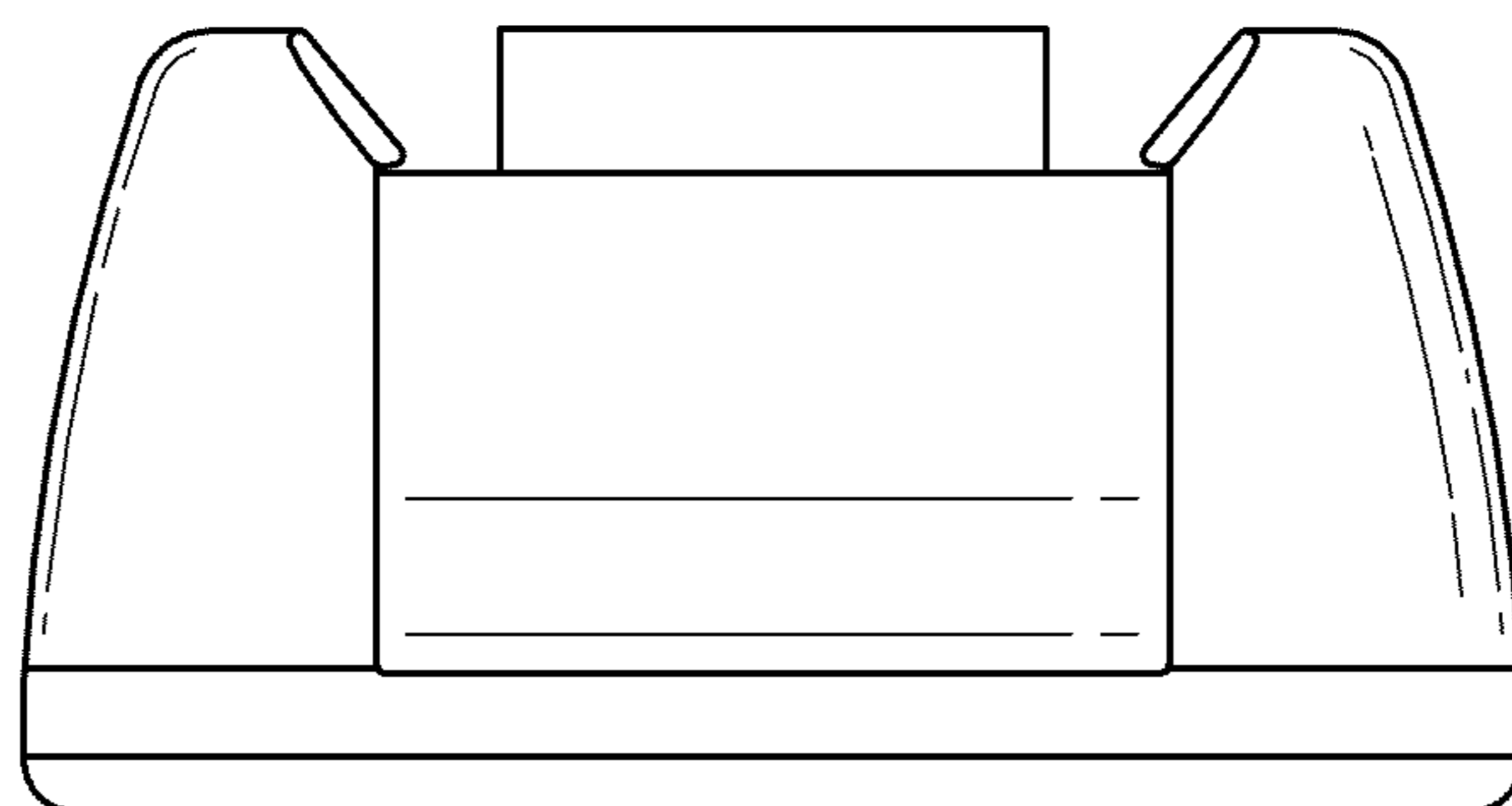


FIG. 7

FIG. 8

