

US00D723878S

(12) **United States Design Patent**
Smith

(10) **Patent No.:** **US D723,878 S**
(45) **Date of Patent:** **** Mar. 10, 2015**

- (54) **GRINDER**
- (71) Applicant: **Jeff Smith**, Needham, MA (US)
- (72) Inventor: **Jeff Smith**, Needham, MA (US)
- (**) Term: **14 Years**
- (21) Appl. No.: **29/450,924**
- (22) Filed: **Mar. 26, 2013**
- (51) **LOC (10) Cl.** **07-04**
- (52) **U.S. Cl.**
USPC **D7/679; D7/372**
- (58) **Field of Classification Search**
CPC A47J 42/08; A47J 43/25; A61J 7/007;
B02C 19/00; B02C 18/08
USPC D7/679, 372, 373, 401.1, 590–598;
222/142.1–142.9, 480; 99/484–485,
99/495, 509–510; 241/25, 101.2, 199.12,
241/101.3, 273.1–273.4, 282.1, 168, 169,
241/169.1, 83, 36, 92, 95
See application file for complete search history.

6,517,018	B2 *	2/2003	Manson	241/169.1
7,422,170	B2 *	9/2008	Bao	241/168
8,220,732	B2 *	7/2012	Griffin et al.	241/169.1
D673,006	S *	12/2012	Kent	D7/372
8,393,563	B2 *	3/2013	Chaoui et al.	241/168
2012/0097774	A1 *	4/2012	Hainbach	241/101.2
2013/0214068	A1 *	8/2013	Camitta	241/25

* cited by examiner

Primary Examiner — Terry Wallace

(74) *Attorney, Agent, or Firm* — Gary E. Lambert; David J. Connaughton, Jr.; Lambert & Associates

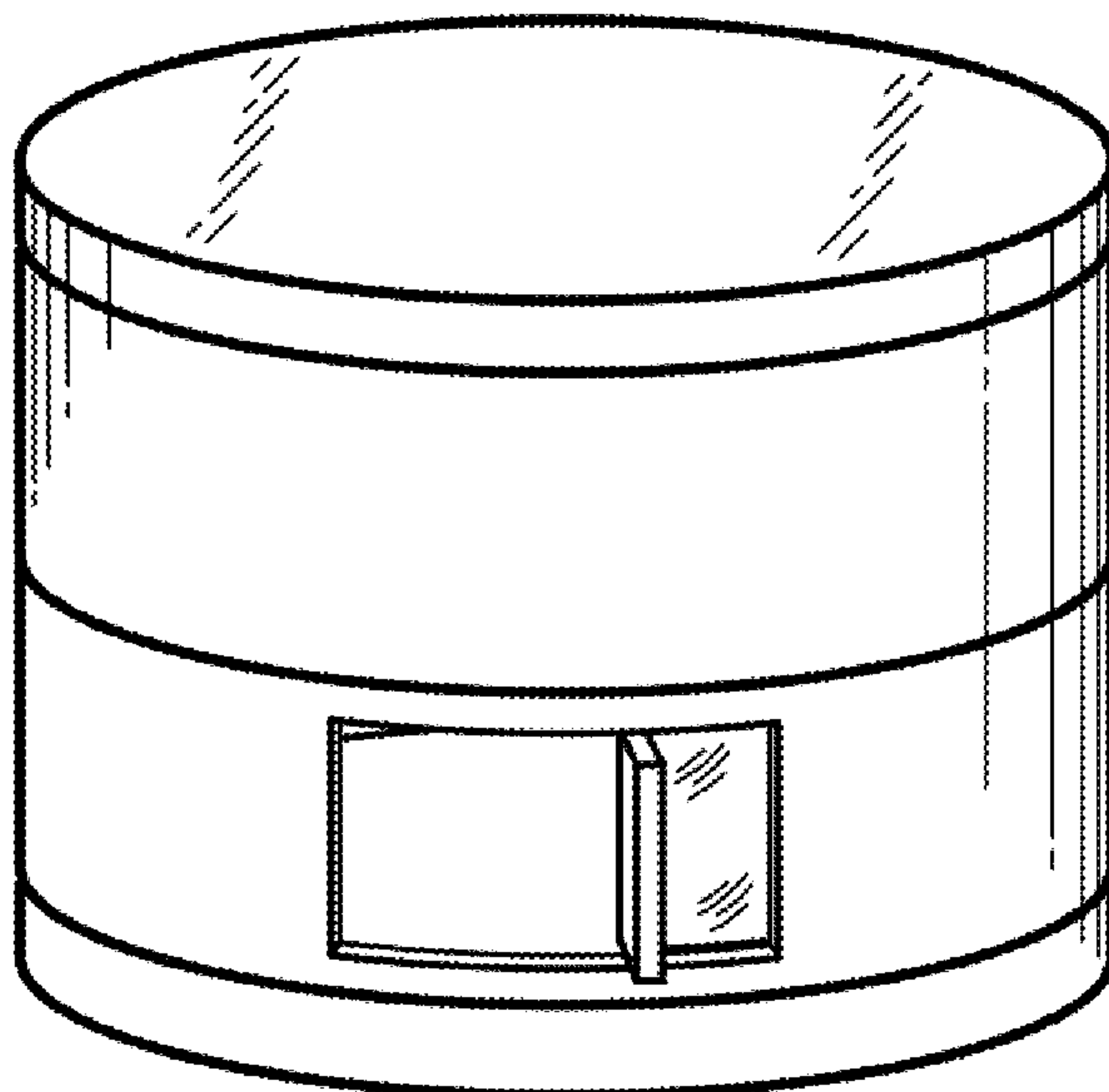
(57) **CLAIM**
The ornamental design for a grinder, as shown and described.

DESCRIPTION

FIG. 1 is a isometric view of the grinder, which embodies my design;
FIG. 2 is a top plane view of the grinder;
FIG. 3 is a bottom plane view of the grinder;
FIG. 4 is a left side view of the grinder;
FIG. 5 is a right side view of the grinder;
FIG. 6 is a front side view of the grinder;
FIG. 7 is a back side view of the grinder; and,
FIG. 8 is an exploded view of the grinder.

1 Claim, 3 Drawing Sheets

- (56) **References Cited**
U.S. PATENT DOCUMENTS
4,280,666 A * 7/1981 Jones 241/169.1
6,247,661 B1 * 6/2001 Chainani 241/169.1



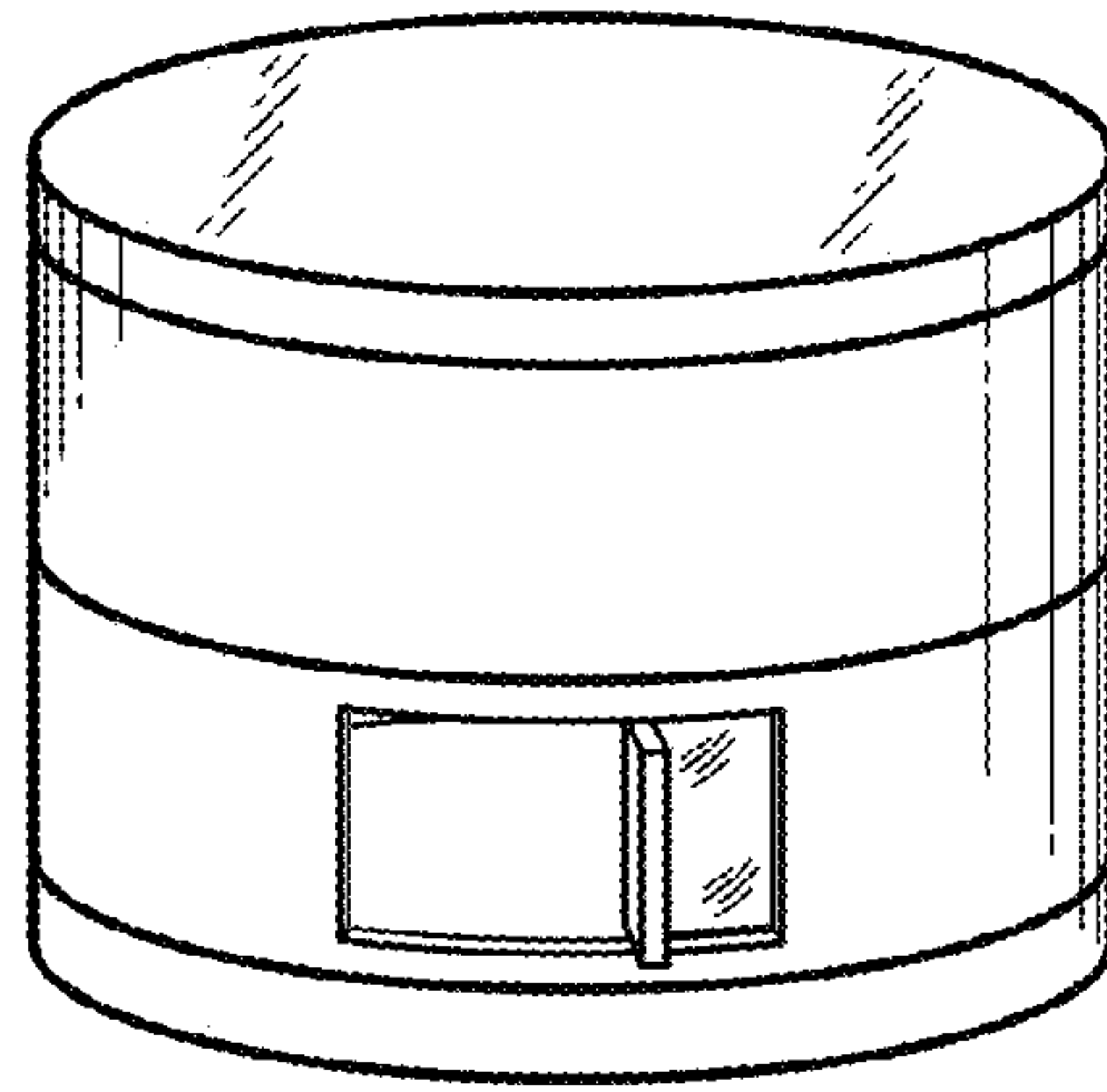


Fig. 1

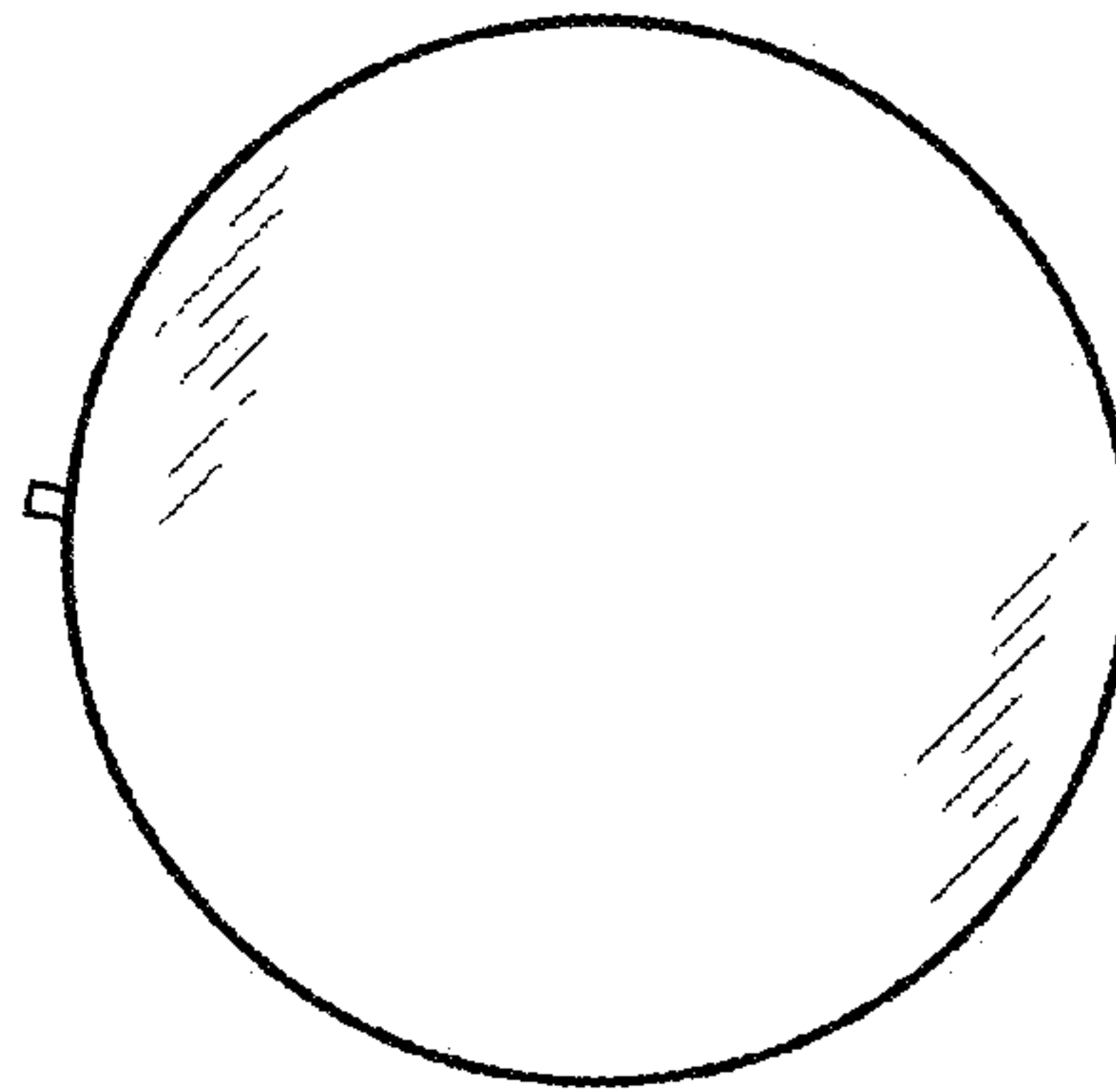


Fig. 2

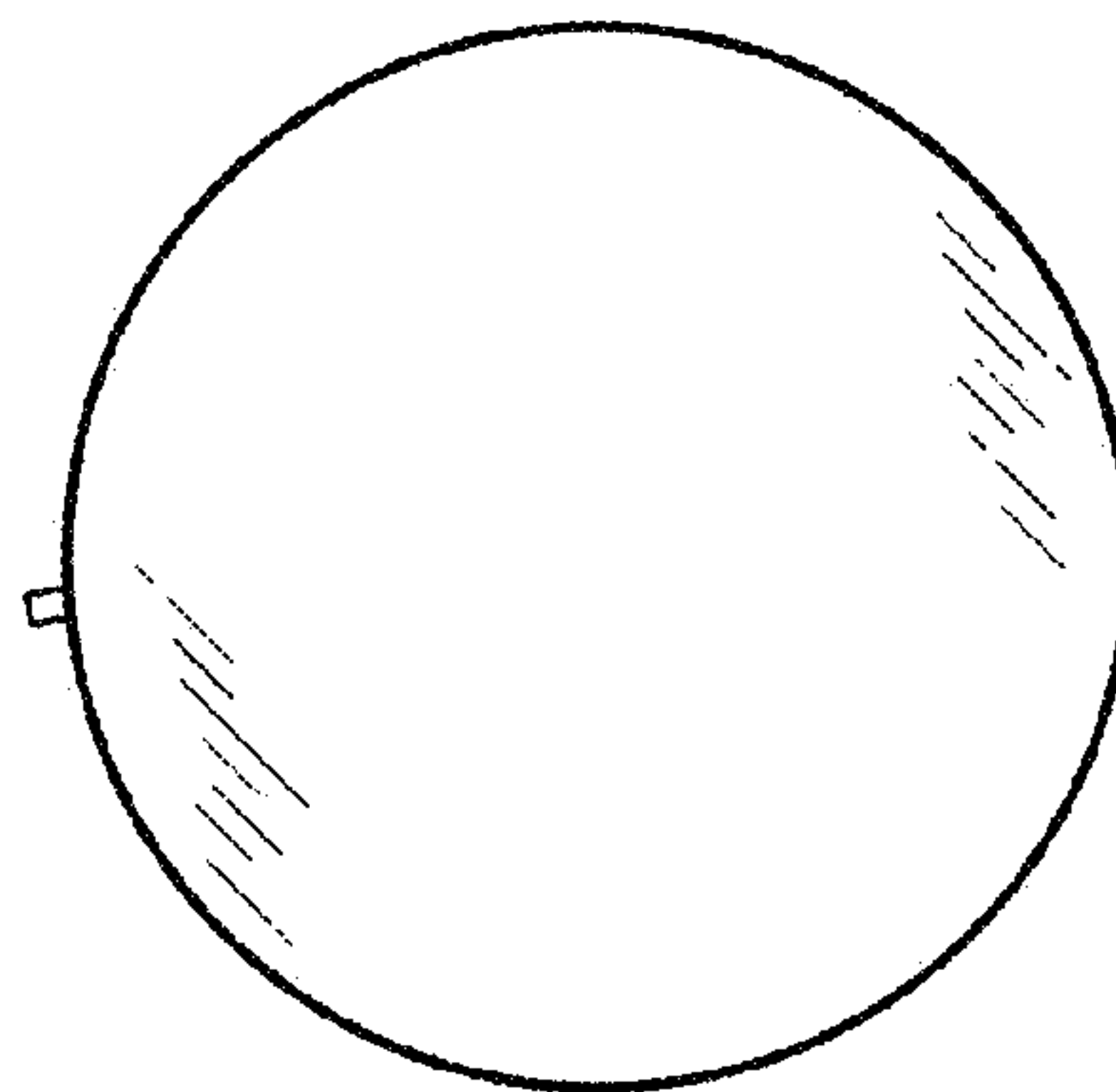


Fig. 3

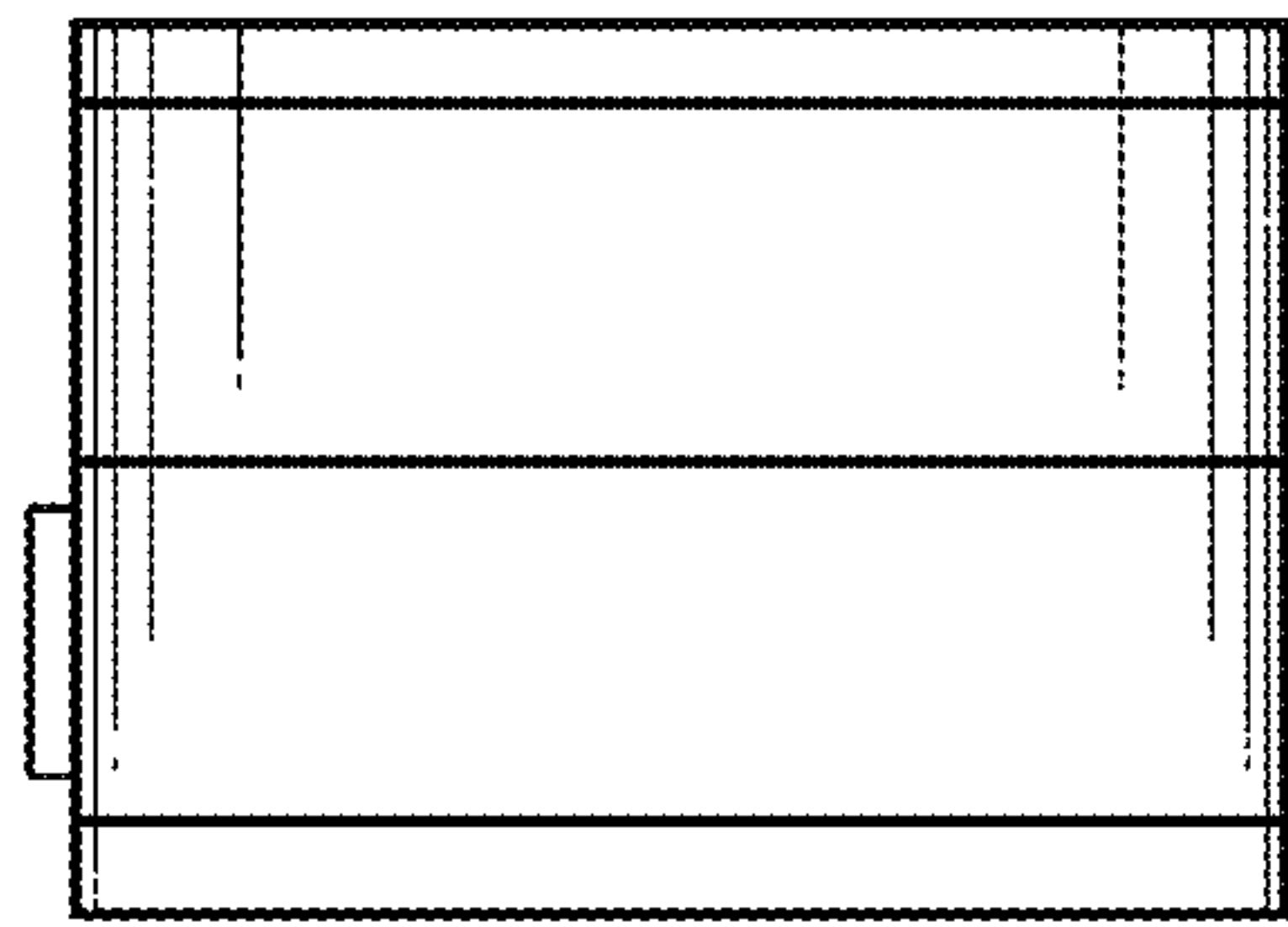


Fig. 4

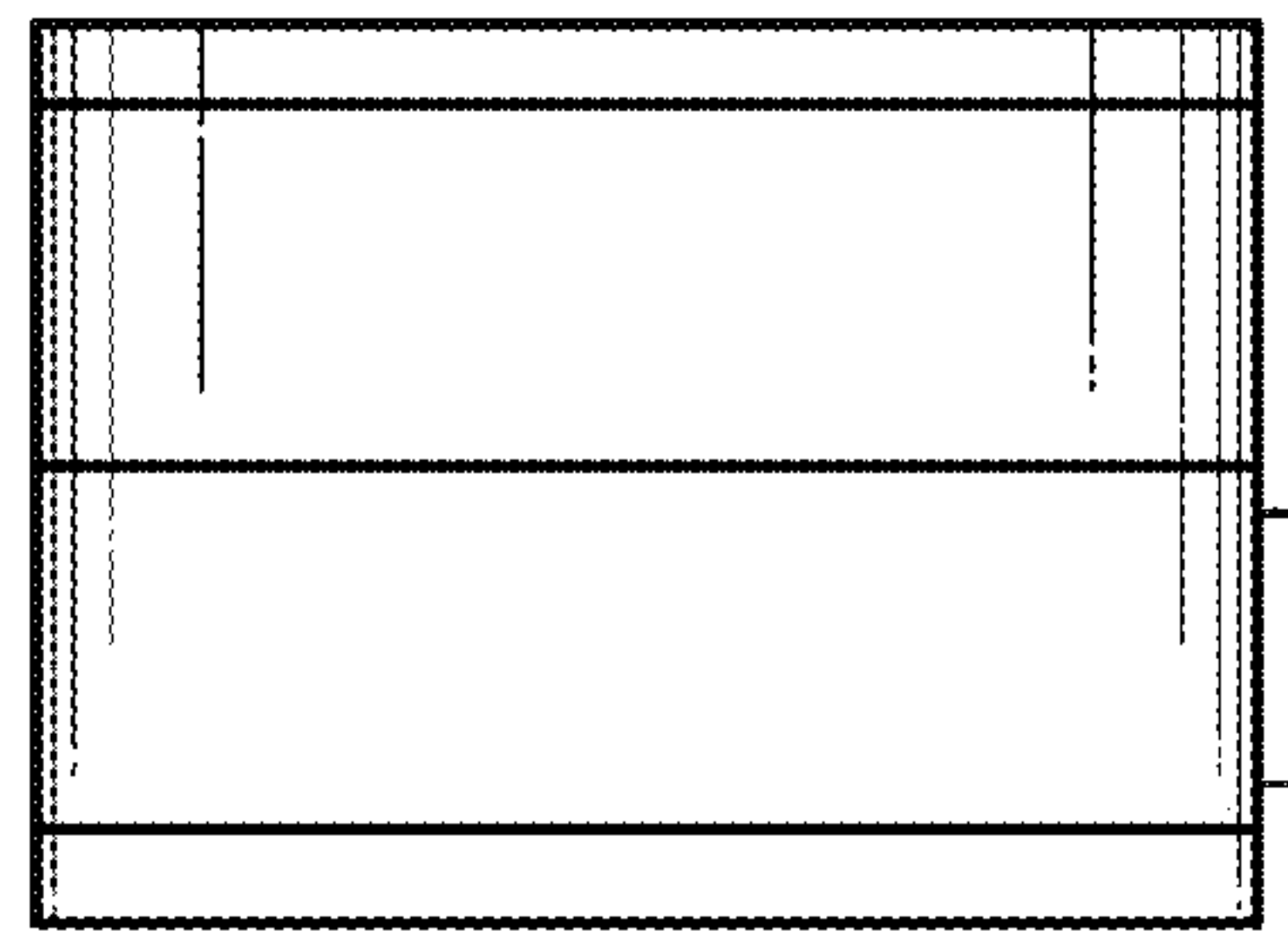


Fig. 5

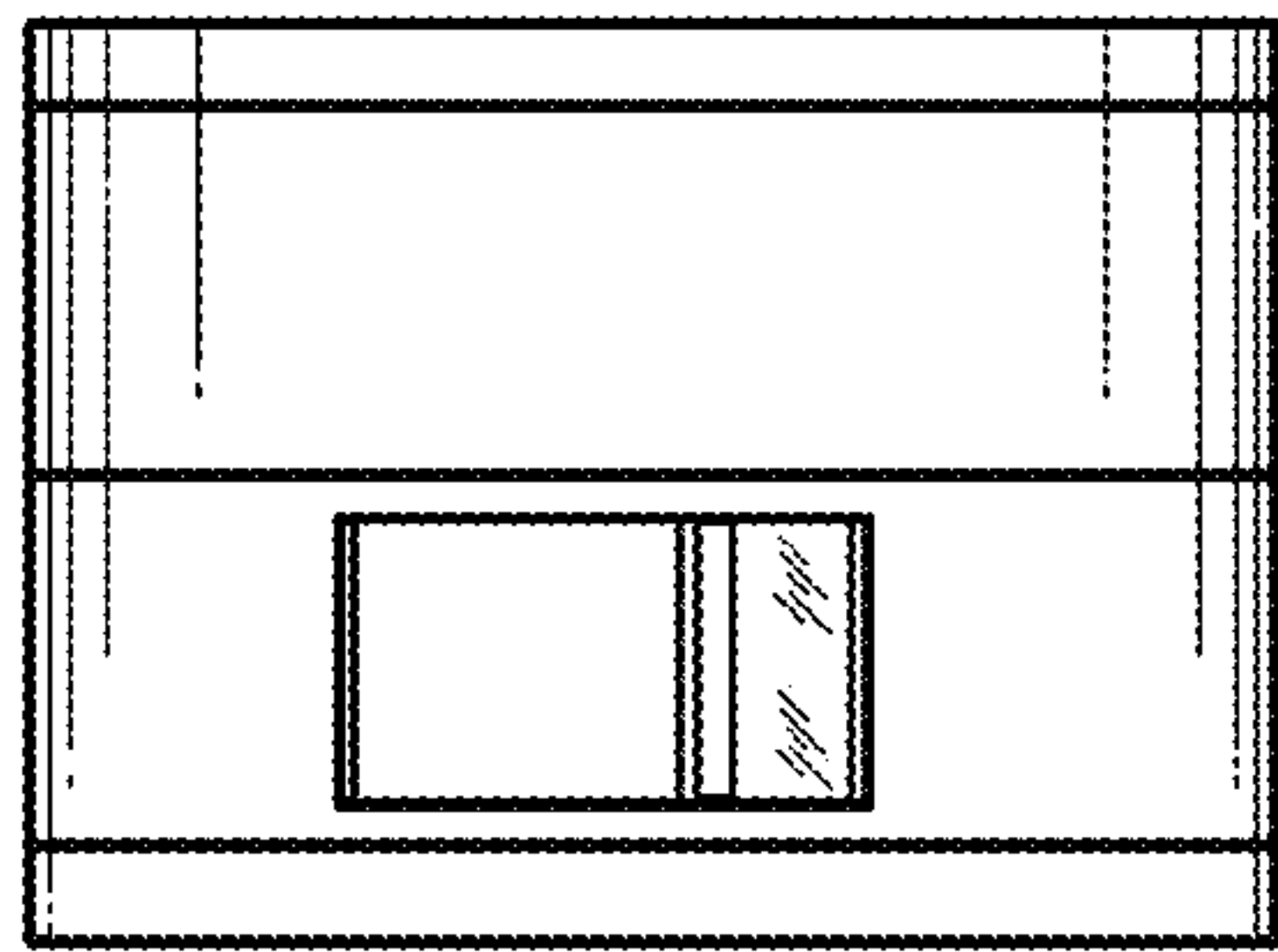


Fig. 6

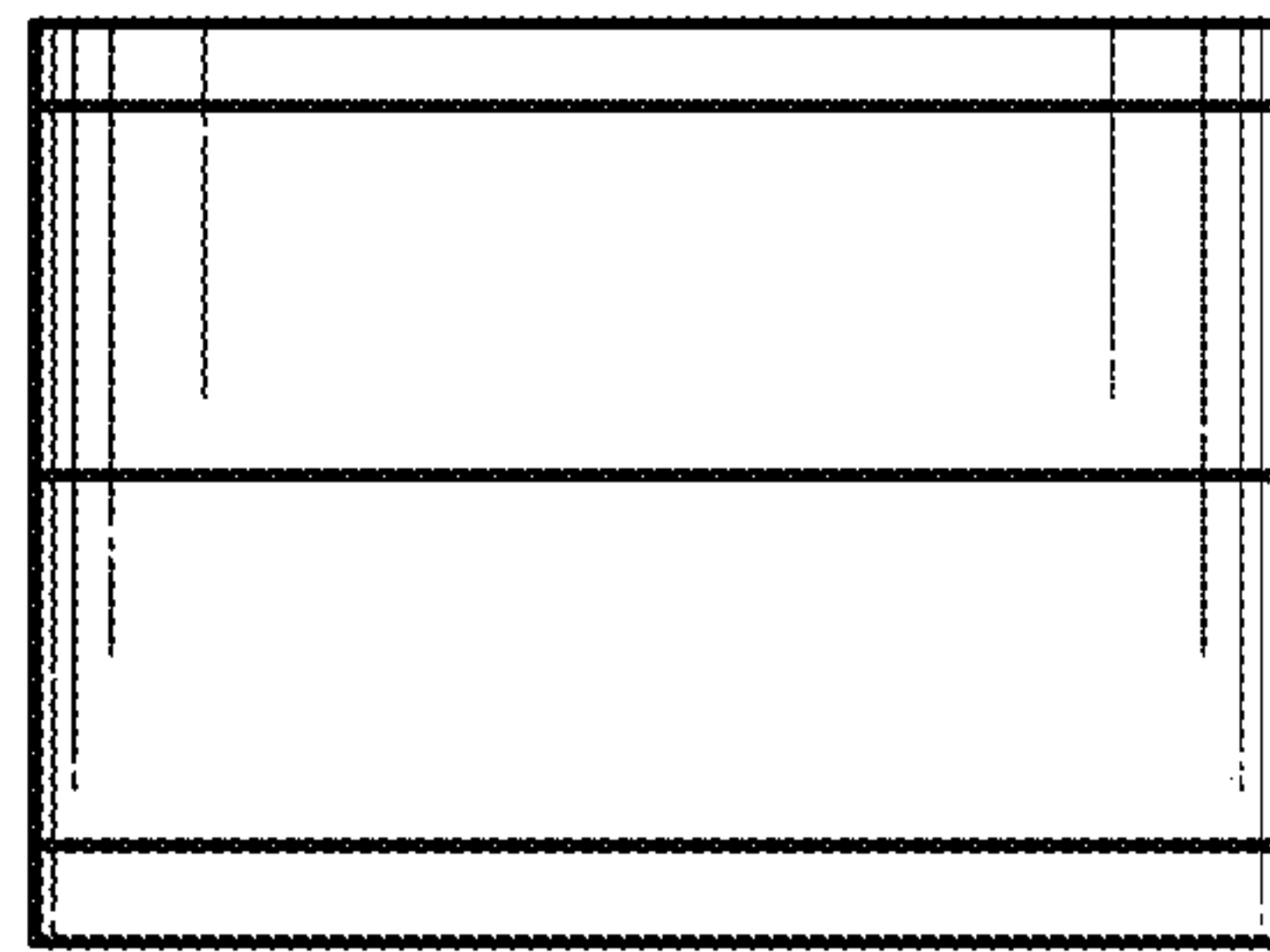


Fig. 7

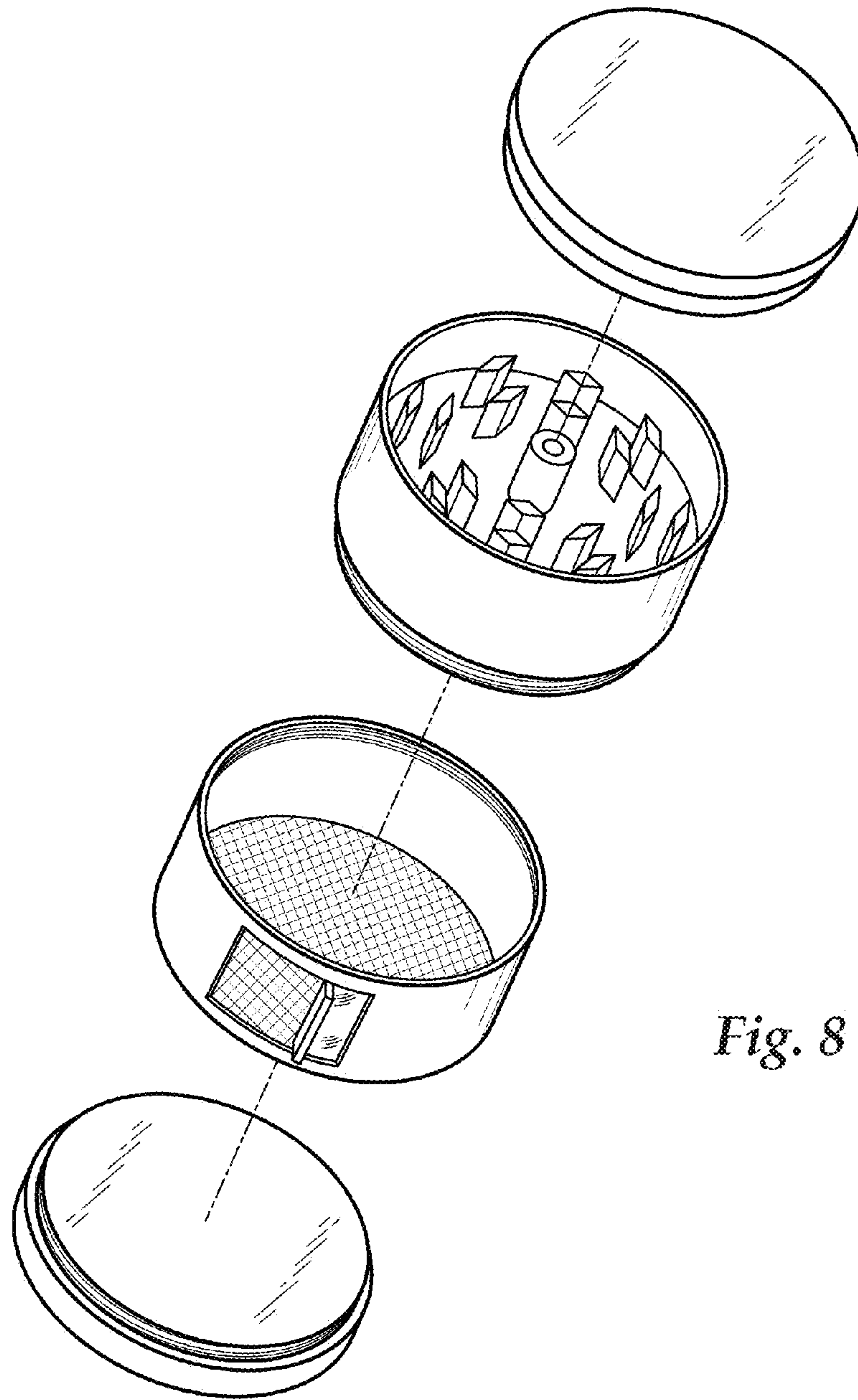


Fig. 8