



US00D723874S

(12) **United States Design Patent**  
**Marques**

(10) **Patent No.:** **US D723,874 S**  
(45) **Date of Patent:** **\*\* Mar. 10, 2015**

- (54) **BOWL**
- (71) Applicant: **Keith G Marques**, Cumberland, RI (US)
- (72) Inventor: **Keith G Marques**, Cumberland, RI (US)
- (\*\*) Term: **14 Years**
- (21) Appl. No.: **29/481,154**
- (22) Filed: **Feb. 2, 2014**
- (51) **LOC (10) Cl.** ..... **07-01**
- (52) **U.S. Cl.**  
USPC ..... **D7/558; D7/559; D7/584; D7/571**
- (58) **Field of Classification Search**  
USPC ..... **D7/558, 559, 562, 566, 567, 568, 569, D7/571, 572, 573, 575, 577, 584, 585, 506, D7/515, 527, 330, 354, 403, 533, 393, 300, D7/306, 307, 308, 309, 311; D30/121, D30/133, 129; D21/412; D9/659, 671, 673, D9/674, 559, 455; 99/95, 295, 280, 285, 99/304, 307; 222/108, 129.1, 129.2, 222/129.3, 129.4, 95; D11/113, 143, 154; D27/106, 113, 114, 115, 116, 121, 133**  
See application file for complete search history.

(56) **References Cited**

**U.S. PATENT DOCUMENTS**

D8,465 S *	7/1875	Lyon	.....	D7/558
237,151 A *	2/1881	Williams	.....	248/150
D35,139 S *	10/1901	Savage	.....	D7/403
D37,204 S *	11/1904	Pritchard	.....	D7/366
D49,777 S *	10/1916	Kindt	.....	D11/154
D69,665 S *	3/1926	Magee	.....	D7/584
D77,109 S *	12/1928	Magnussen	.....	D7/558
D97,308 S *	10/1935	Sledge, Jr.	.....	D7/559
D148,608 S *	2/1948	Bullock	.....	D30/104
D163,531 S *	6/1951	McCarron	.....	D7/403
D170,747 S *	11/1953	Chandler	.....	D27/116
2,657,891 A *	11/1953	Van Haften et al.	.....	248/146
D213,251 S *	1/1969	Sherbet	.....	D7/527

D225,169 S *	11/1972	Mc Gowan	.....	D7/366
3,940,100 A *	2/1976	Haug	.....	248/188.1
D275,807 S *	10/1984	Peterson	.....	D34/6
D289,807 S *	5/1987	Russell	.....	D30/129
D290,801 S *	7/1987	Petrossian	.....	D7/584
D330,816 S *	11/1992	Phillips	.....	D6/457
5,347,979 A *	9/1994	Haber	.....	126/43
D355,566 S *	2/1995	Stephen et al.	.....	D7/403
D393,922 S *	4/1998	Moore et al.	.....	D27/133
D410,781 S *	6/1999	Sharon	.....	D30/129
D412,605 S *	8/1999	Sharon	.....	D30/129
D418,016 S *	12/1999	Varlet	.....	D7/533
D427,018 S *	6/2000	Varlet	.....	D7/533
D430,950 S *	9/2000	Lee et al.	.....	D26/104
D471,668 S *	3/2003	Cheung	.....	D28/20
D488,350 S *	4/2004	Peddada	.....	D7/558
D488,351 S *	4/2004	Peddada	.....	D7/558
D494,325 S *	8/2004	Paterson	.....	D30/121
D498,981 S *	11/2004	Peddada	.....	D7/558

(Continued)

**OTHER PUBLICATIONS**

Rocket Ship Espresso Cup by The Green Head—[www.thegreenhead.com/2013/04/blast-off-rocket-ship-espresso-cups.php](http://www.thegreenhead.com/2013/04/blast-off-rocket-ship-espresso-cups.php).\*

*Primary Examiner* — Marianne Pandozzi

*Assistant Examiner* — Jae Liang

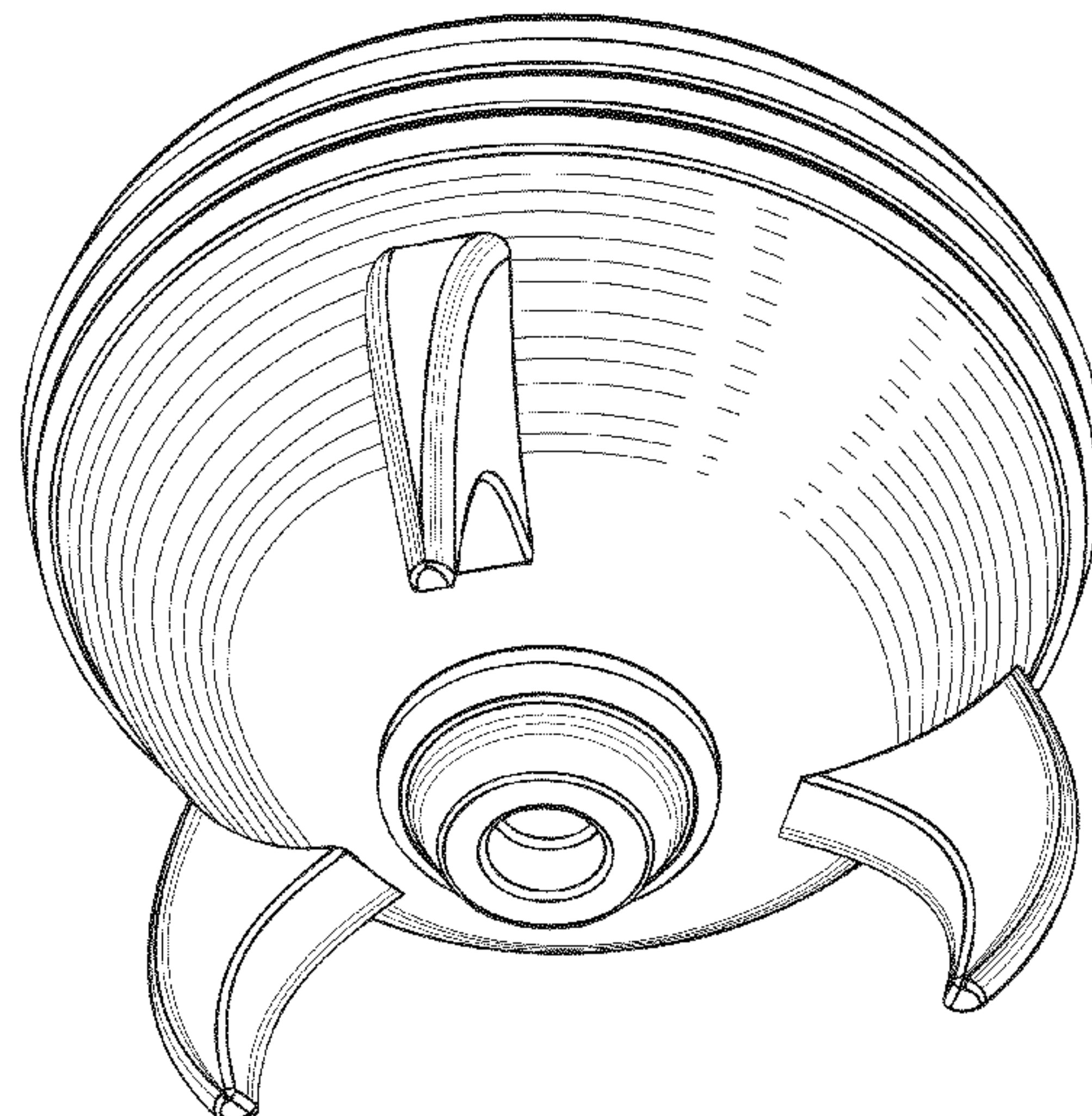
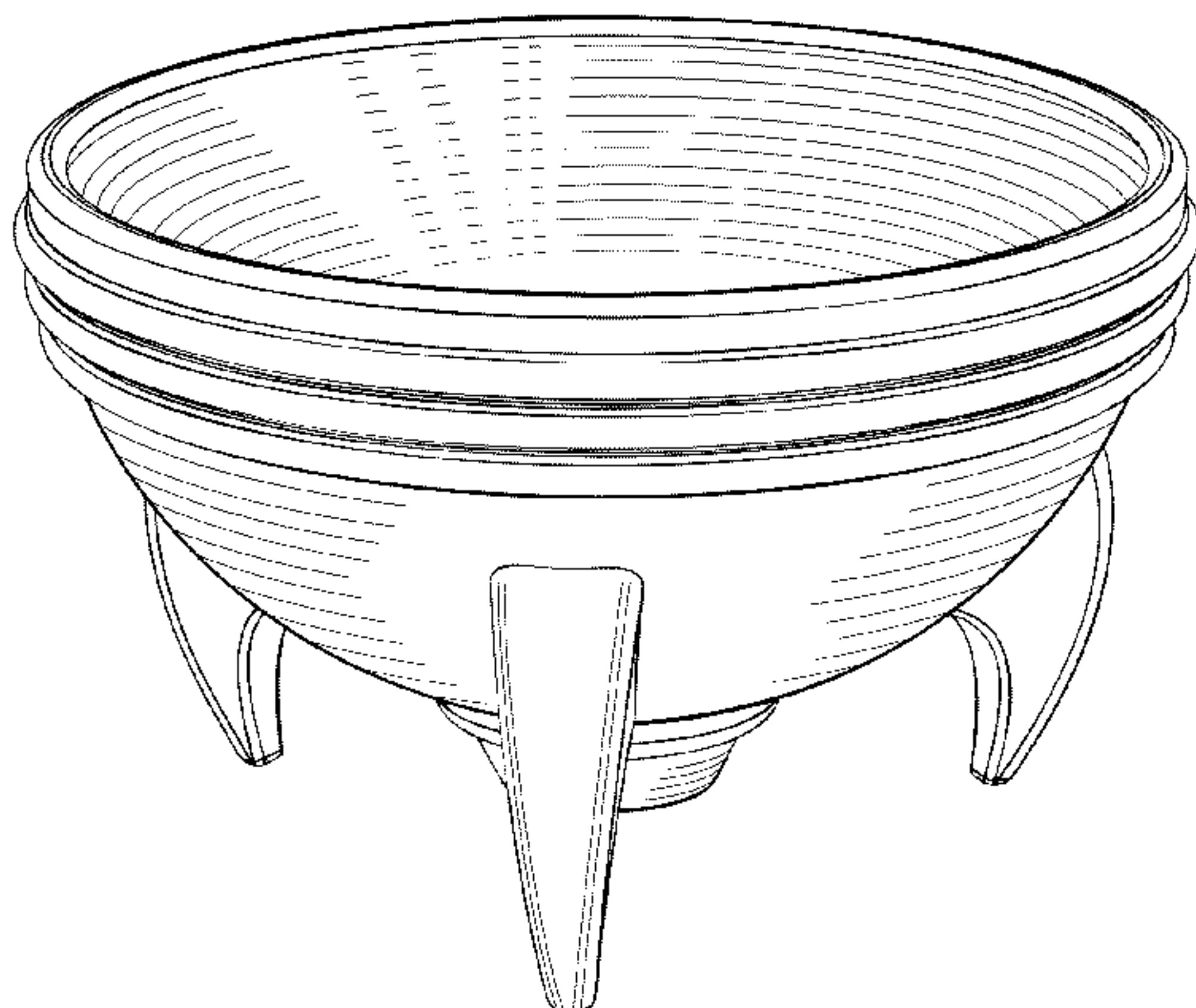
(57) **CLAIM**

The ornamental design for a bowl, as shown.

**DESCRIPTION**

FIG. 1 is a front perspective view of a bowl, showing my new design;  
 FIG. 2 is a bottom perspective view thereof;  
 FIG. 3 is a front elevation view thereof;  
 FIG. 4 is a rear elevation view thereof;  
 FIG. 5 is a right elevation view thereof;  
 FIG. 6 is a left elevation view thereof;  
 FIG. 7 is a top plan view thereof; and,  
 FIG. 8 is a bottom plan view thereof.

**1 Claim, 8 Drawing Sheets**



# US D723,874 S

Page 2

---

(56)

## References Cited

### U.S. PATENT DOCUMENTS

D527,069 S \* 8/2006 Hiscox et al. .... D22/122  
D543,769 S \* 6/2007 Ford ..... D7/301  
D604,633 S \* 11/2009 Stearns ..... D9/674

D612,037 S \* 3/2010 Jorgensen ..... D23/366  
D630,048 S \* 1/2011 Boonprasop ..... D7/393  
D655,054 S \* 2/2012 Lipscomb et al. .... D30/129

\* cited by examiner

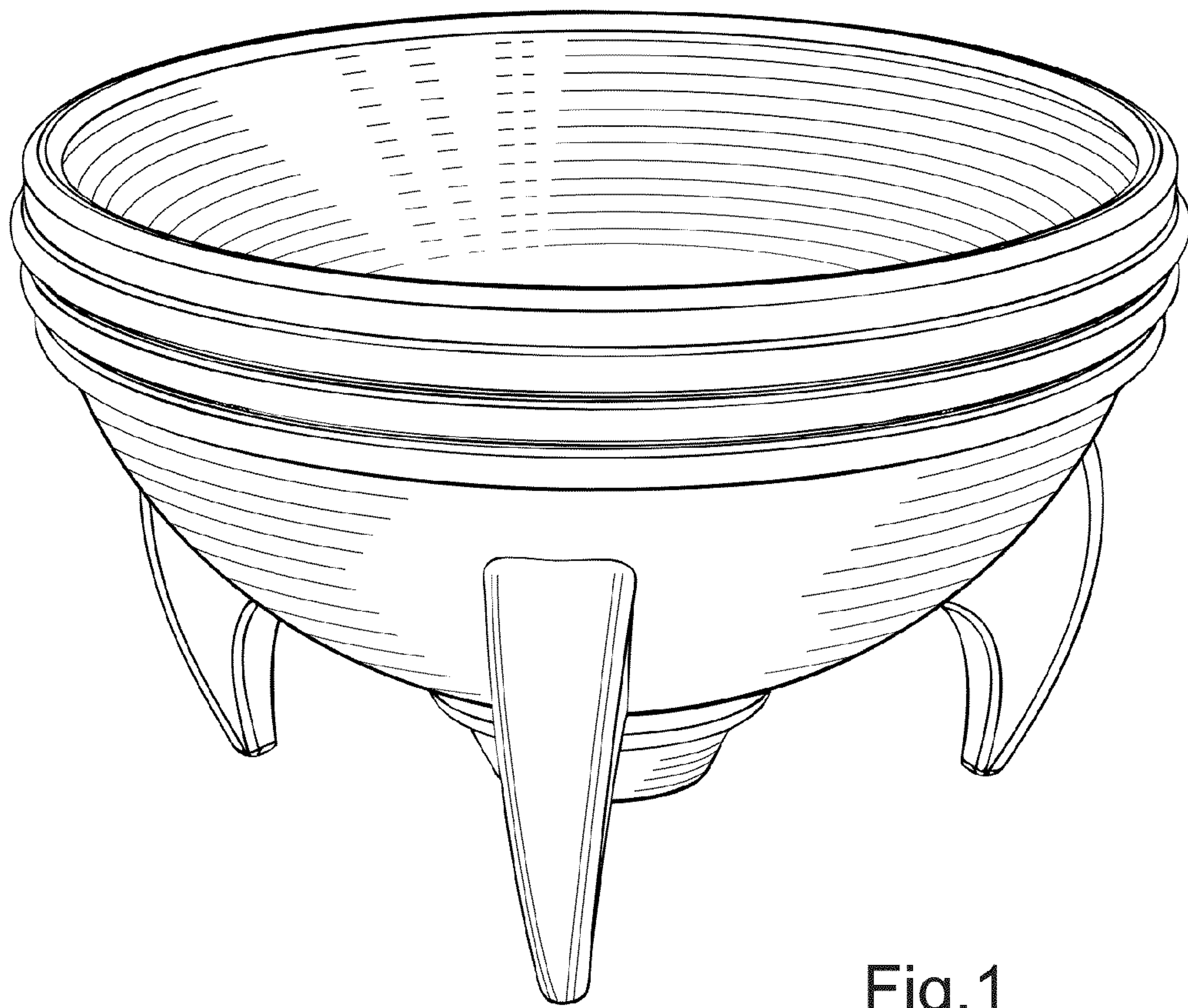


Fig. 1



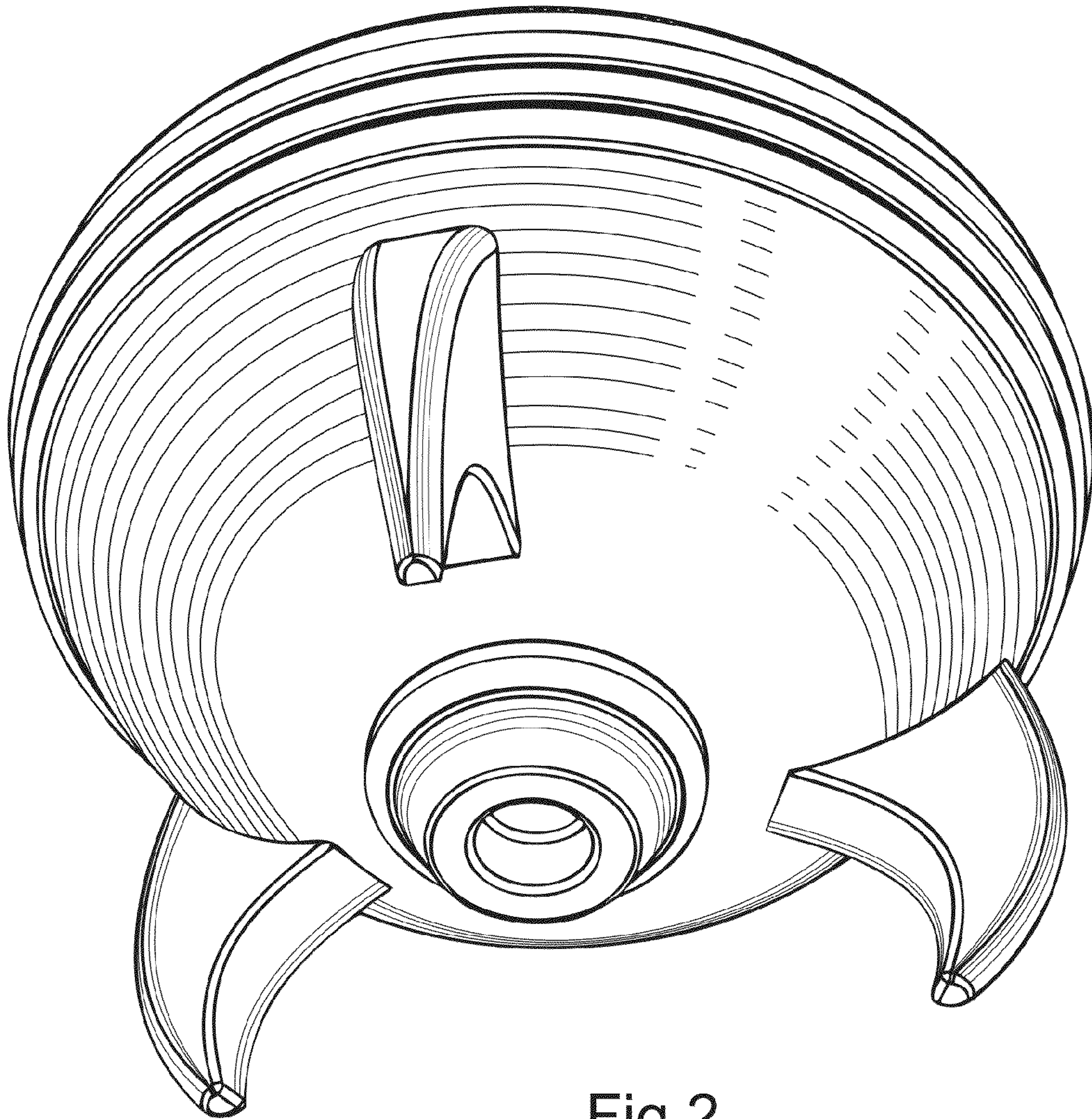


Fig.2

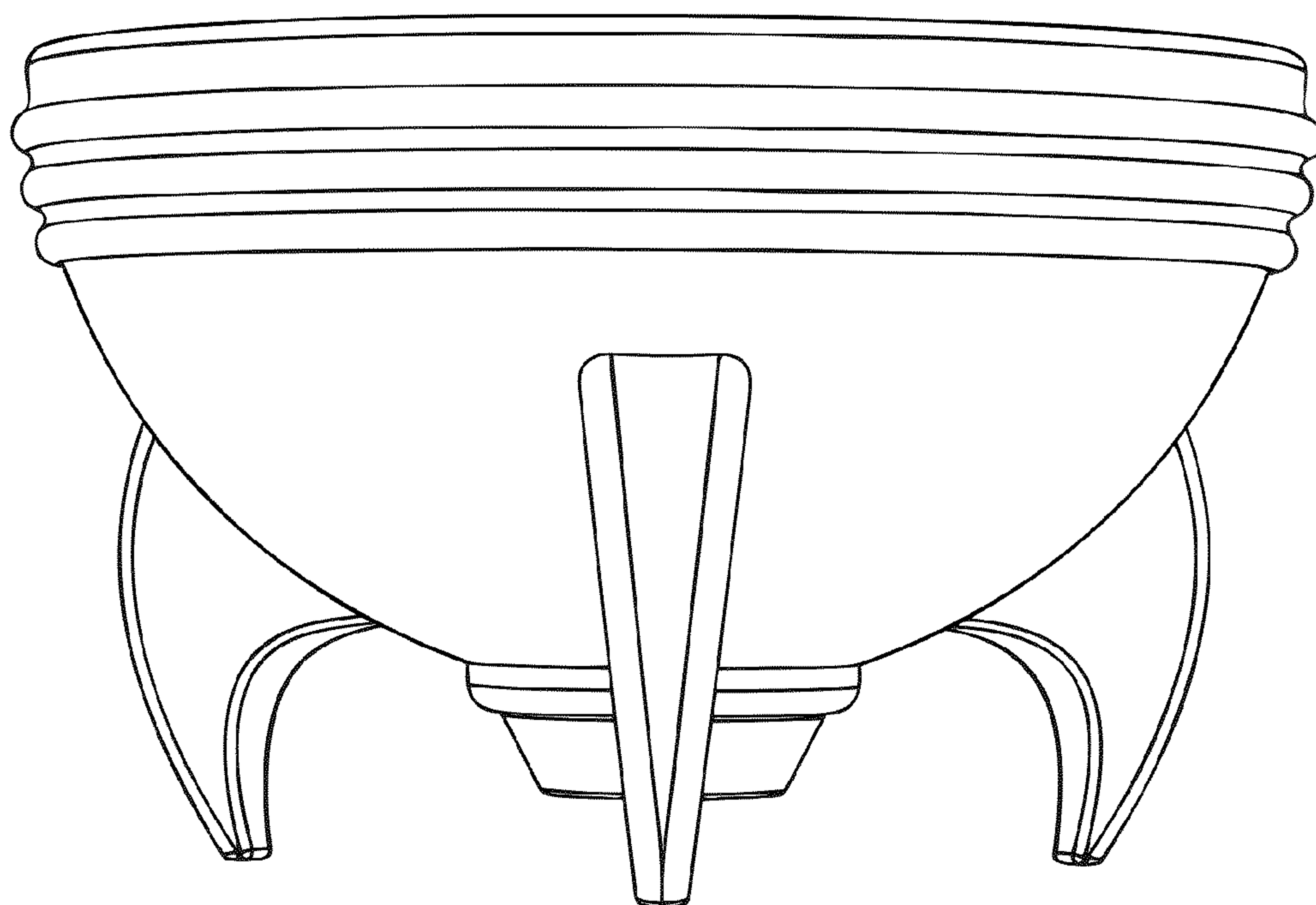


Fig.3

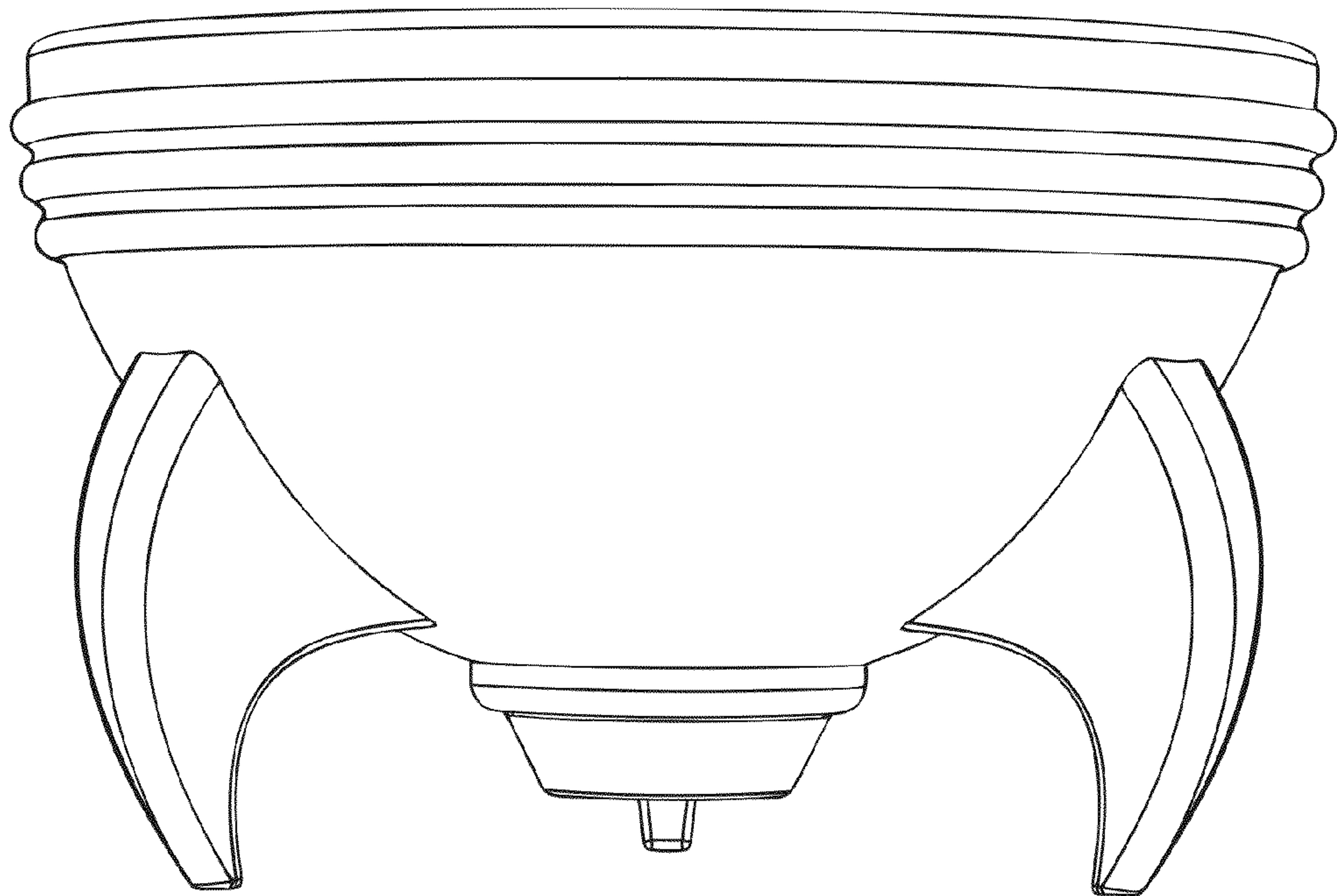


Fig.4

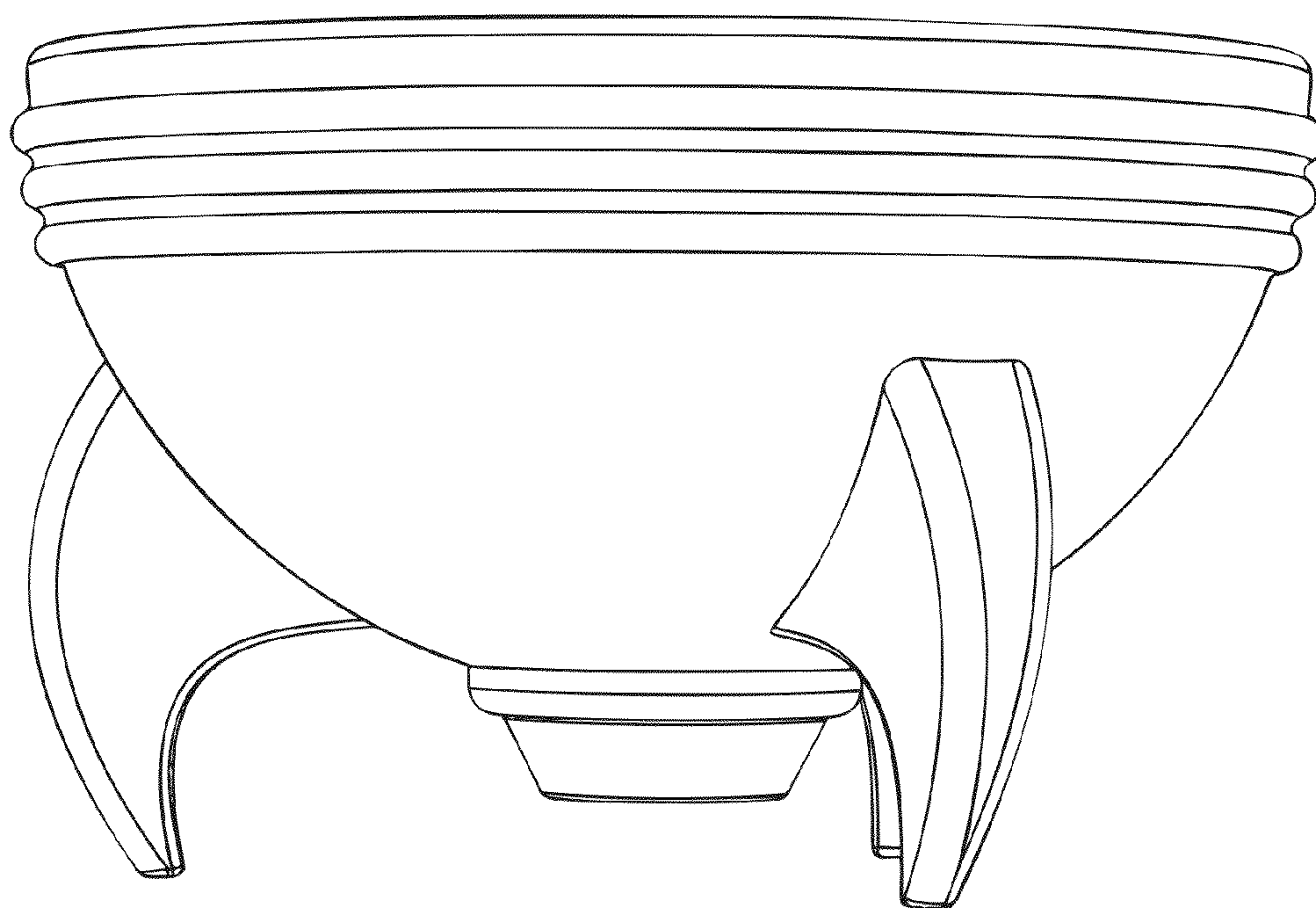


Fig.5

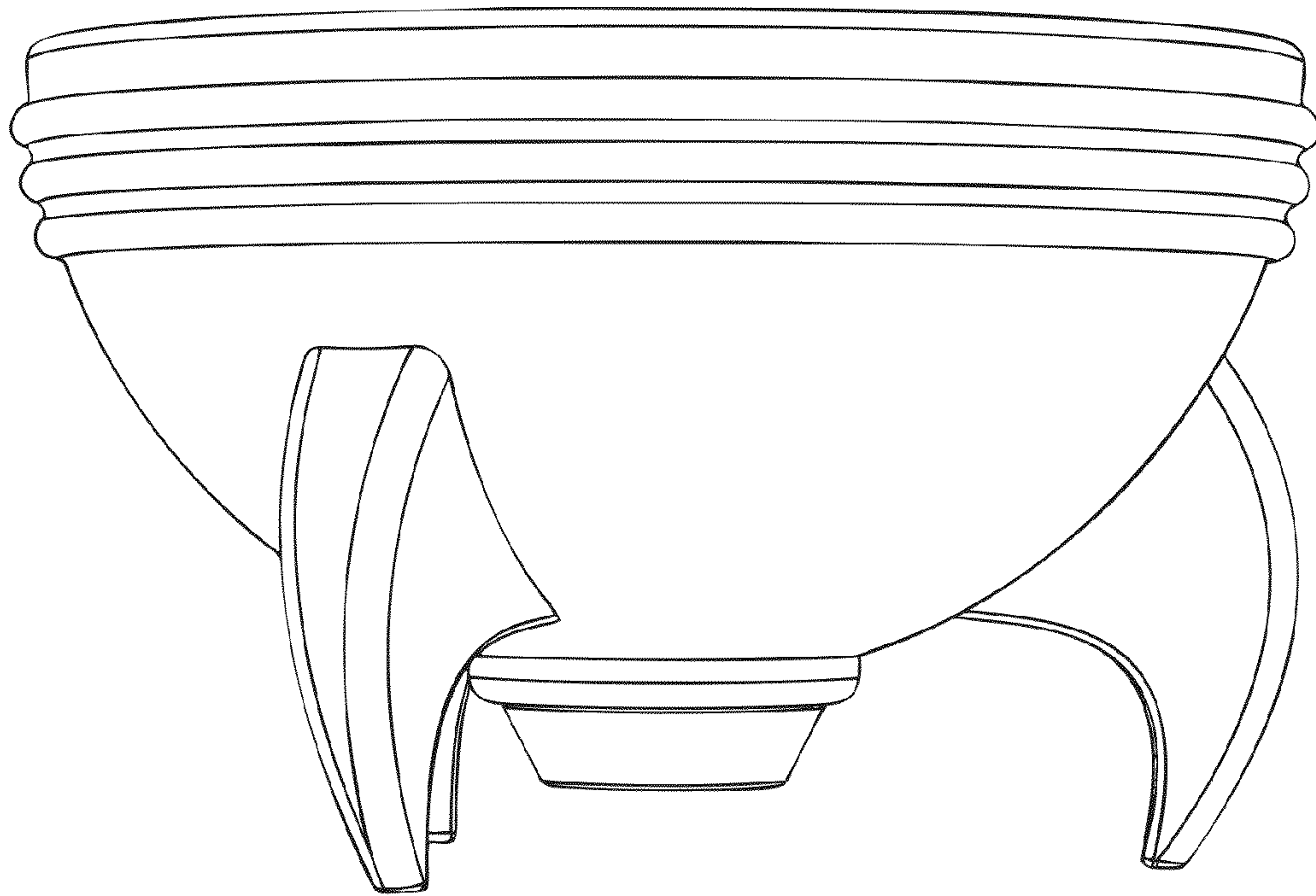


Fig.6



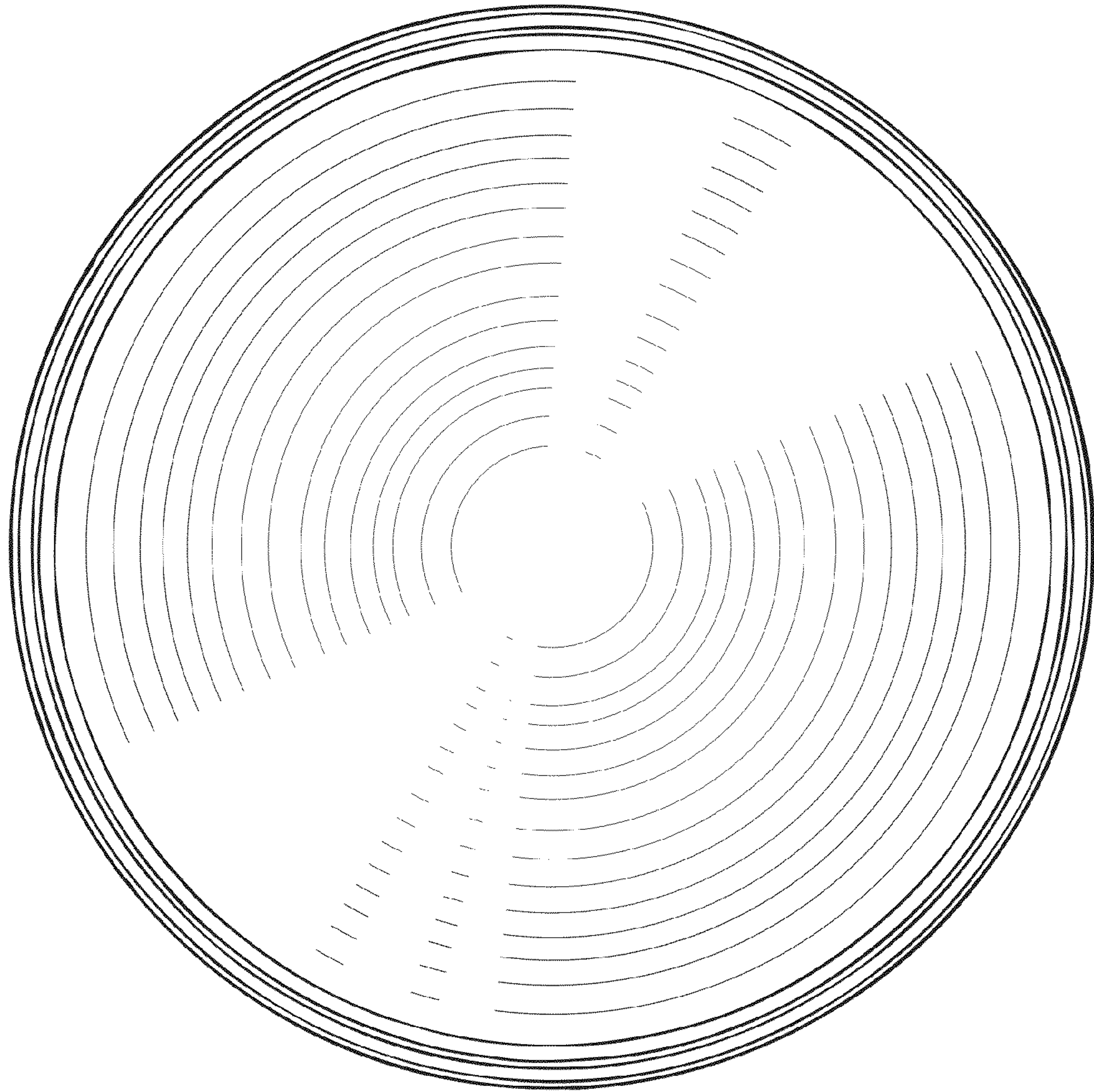


Fig.7

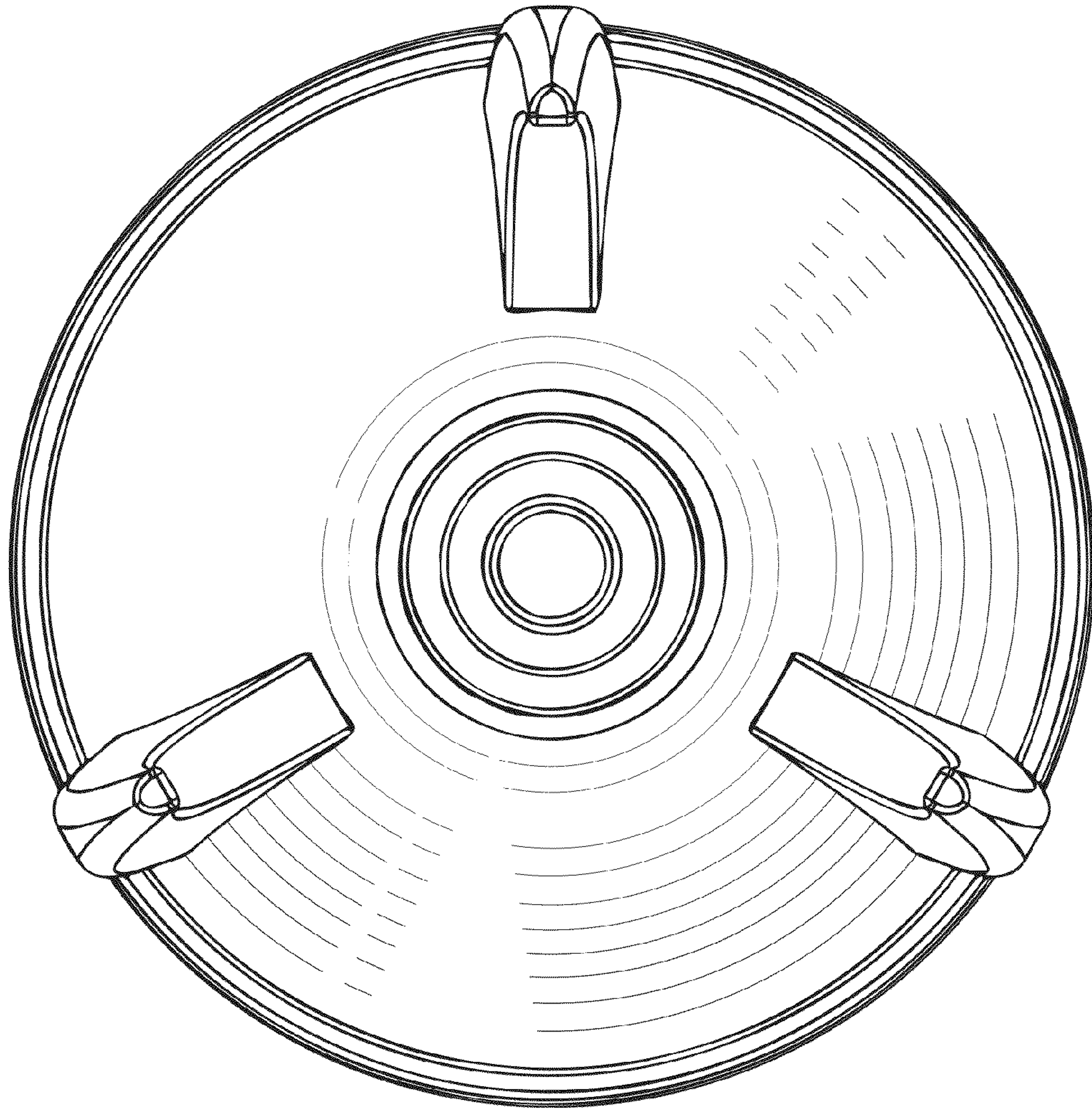


Fig.8