



US00D723872S

(12) **United States Design Patent**
Kostler et al.

(10) **Patent No.:** **US D723,872 S**
(45) **Date of Patent:** **** Mar. 10, 2015**

(54) **CONTAINER**

(71) Applicants: **Carter Kostler**, Virginia Beach, VA (US); **Mark David Weisman**, Virginia Beach, VA (US); **Carla Anne Weisman**, Virginia Beach, VA (US)

(72) Inventors: **Carter Kostler**, Virginia Beach, VA (US); **Mark David Weisman**, Virginia Beach, VA (US); **Carla Anne Weisman**, Virginia Beach, VA (US)

(**) Term: **14 Years**

(21) Appl. No.: **29/463,179**

(22) Filed: **Aug. 26, 2013**

(51) **LOC (10) Cl.** **07-01**

(52) **U.S. Cl.**
USPC **D7/510; D7/608**

(58) **Field of Classification Search**
USPC D7/510, 511, 605, 608; D9/500-504, D9/549, 559, 574, 575; 215/12.1, 12.2, 215/13.1, 382, 387, 388
See application file for complete search history.

(56) **References Cited**

U.S. PATENT DOCUMENTS

D38,167 S	8/1906	Wintermann
D139,381 S	11/1944	Harris
D189,374 S	11/1960	Harris
4,201,294 A	5/1980	Roccaforte
D307,646 S	5/1990	Kingsford
D375,895 S	11/1996	Miller
D386,350 S	11/1997	Mogadam
D407,980 S	4/1999	Dinand
D408,740 S	4/1999	Jones et al.
D412,281 S	7/1999	Lindsay et al.
D413,067 S	8/1999	Haley
D415,319 S	10/1999	Bakic
D416,199 S	11/1999	Alguire et al.

D419,719 S	1/2000	Garcia	
D421,910 S	3/2000	Warner et al.	
D422,902 S *	4/2000	Kikuchi	D9/689
D428,342 S	7/2000	Stoller	
D436,501 S *	1/2001	Huang	D7/608
D441,296 S	5/2001	Majerowski	
D441,916 S *	5/2001	Faillant-Dumas	D28/88
D443,821 S	6/2001	Bakic	
D444,390 S	7/2001	Kokenge et al.	
D446,121 S	8/2001	Maddy	
D448,306 S	9/2001	de Giovellina	
D448,678 S	10/2001	Bakic	
D472,147 S	3/2003	Herrmann	
D476,894 S	7/2003	Masotta et al.	
D479,470 S	9/2003	Braaten et al.	
D486,394 S	2/2004	Bakic	
D487,016 S	2/2004	DeBiasse et al.	

(Continued)

OTHER PUBLICATIONS

U.S. Trademark Registration No. 2,696,925; Registration Date Mar. 18, 2003.

Primary Examiner — Terry Wallace

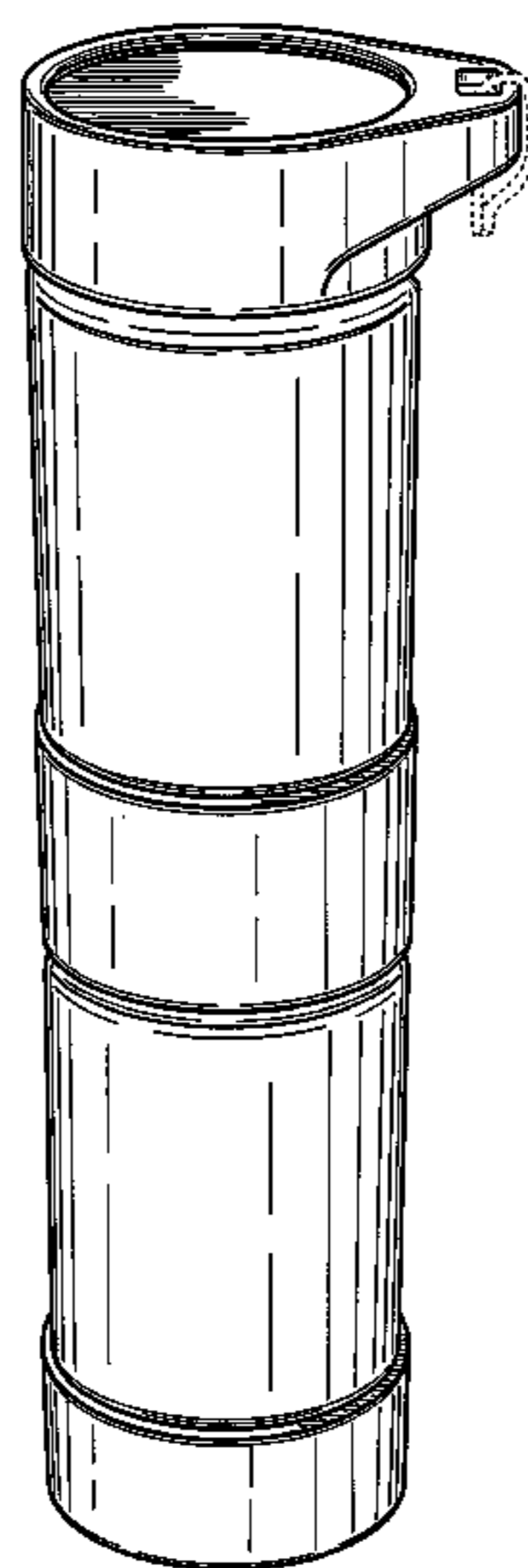
(57) **CLAIM**

The ornamental design for a container, as shown and described.

DESCRIPTION

FIG. 1 is a perspective top view of a container showing our new design;
FIG. 2 is a perspective bottom view of the container in FIG. 1;
FIG. 3 is a side view of the container in FIG. 1;
FIG. 4 is a front elevation view of the container in FIG. 1;
FIG. 5 is a rear elevation view of the container in FIG. 1;
FIG. 6 is a side view of the container in FIG. 1;
FIG. 7 is a top plan view of the container in FIG. 1; and,
FIG. 8 is a bottom plan view of the container in FIG. 1.
The broken lines are for illustrative purposes only and form no part of the claimed design.

1 Claim, 4 Drawing Sheets



(56)

References Cited

U.S. PATENT DOCUMENTS

D490,313 S 5/2004 DeBiasse et al.

D620,756 S * 8/2010 Lown et al. D7/510
D674,242 S * 1/2013 Eyal D7/510
D693,223 S * 11/2013 Walter et al. D9/504

* cited by examiner

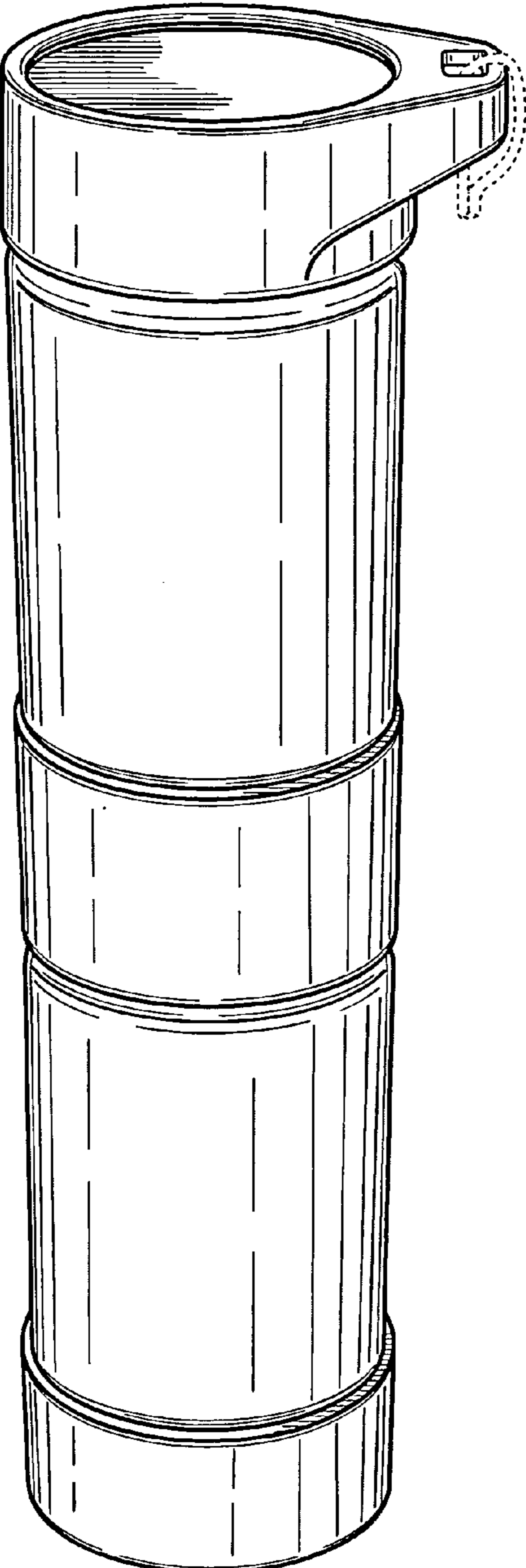


FIG. 1

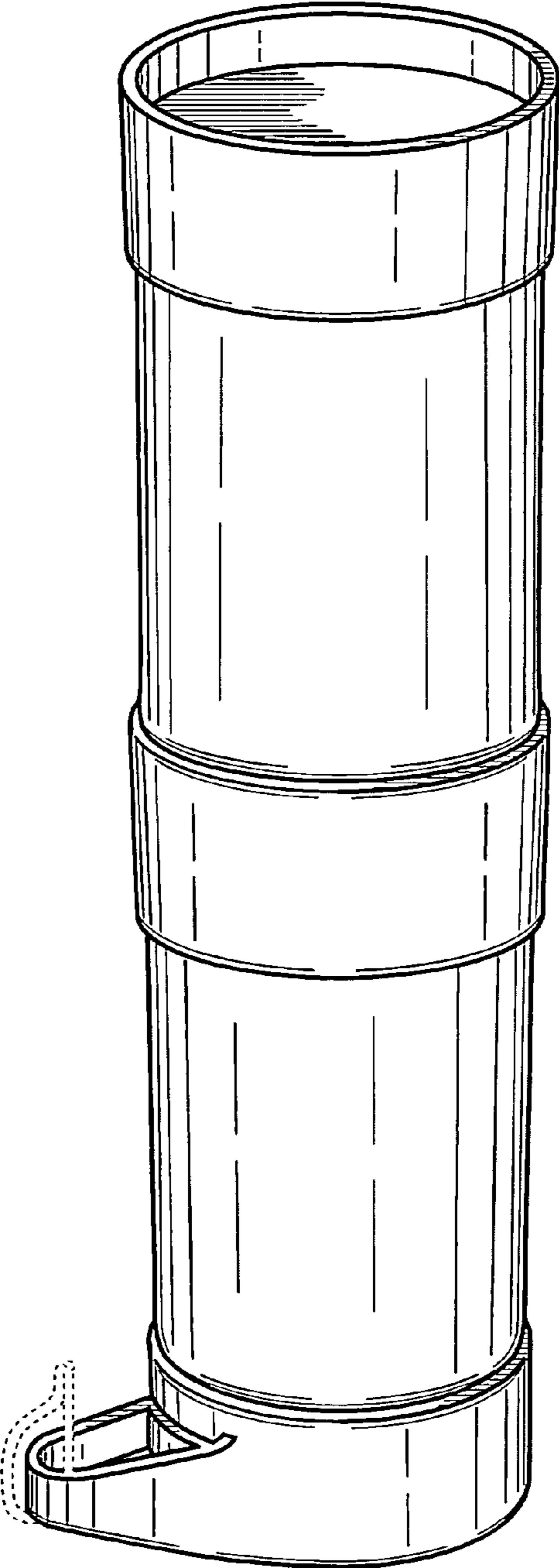


FIG. 2

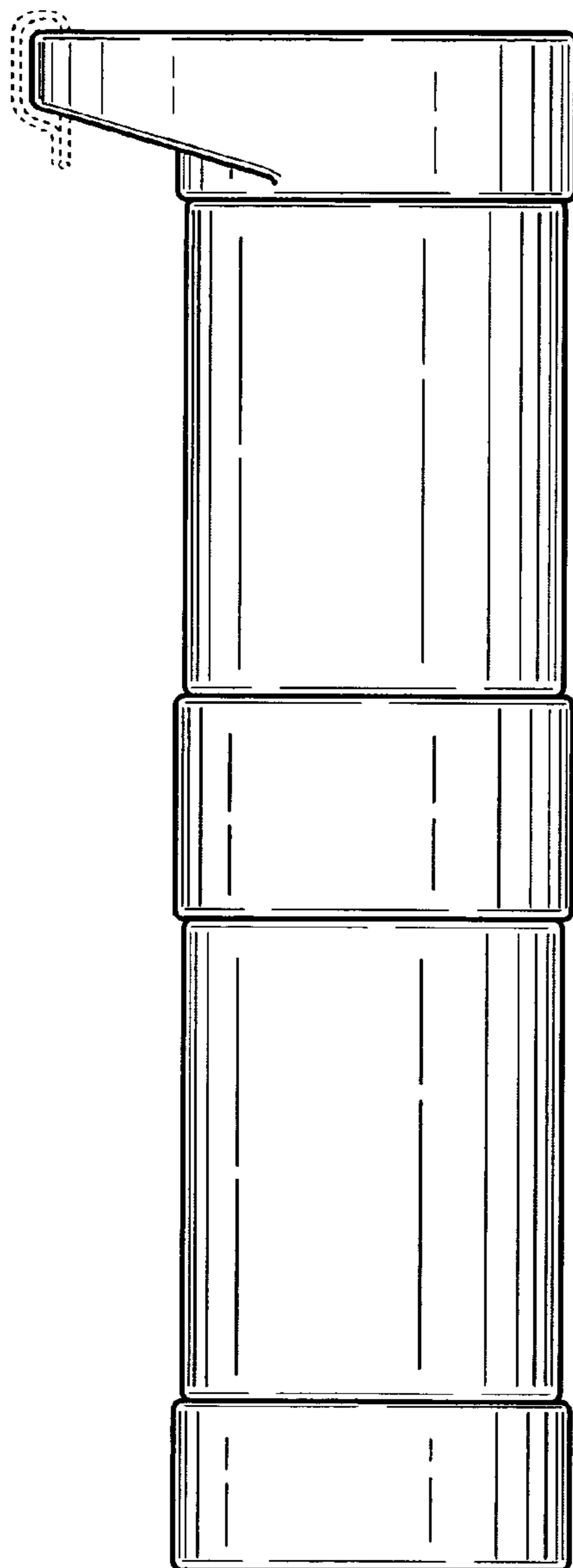


FIG. 3

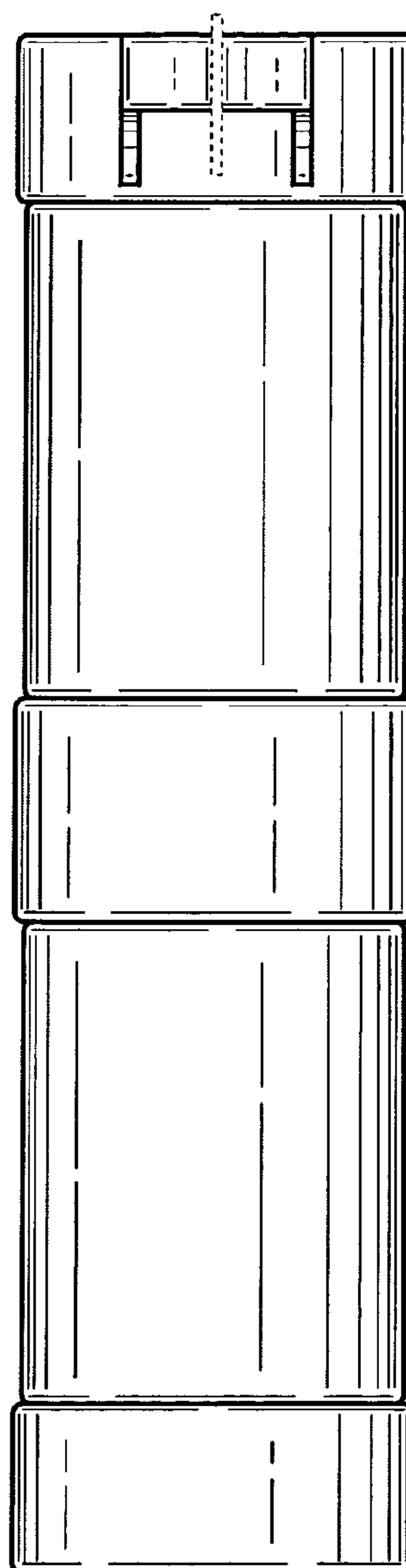


FIG. 4

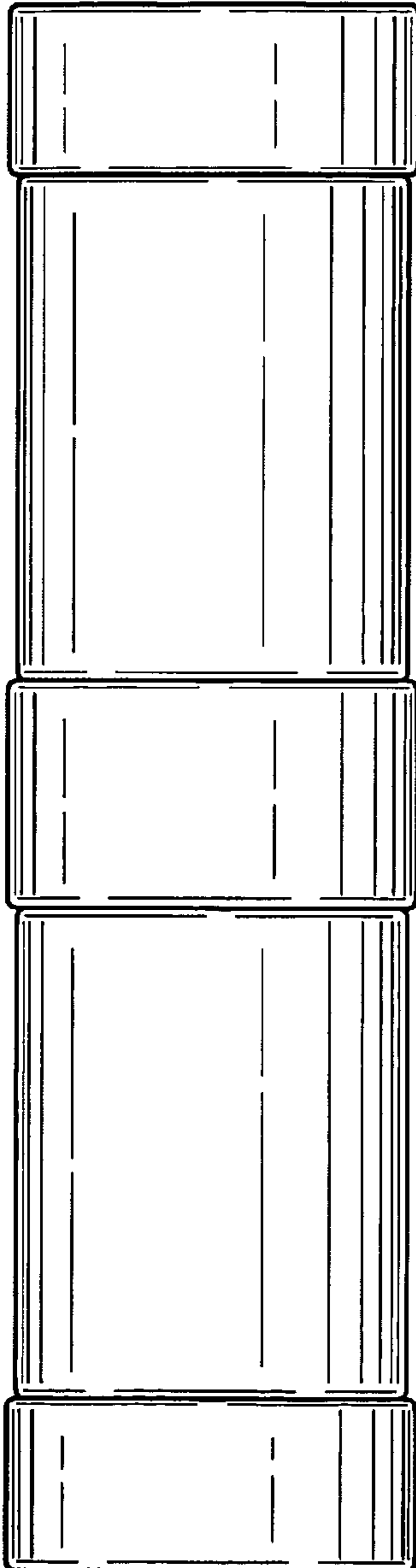


FIG. 5

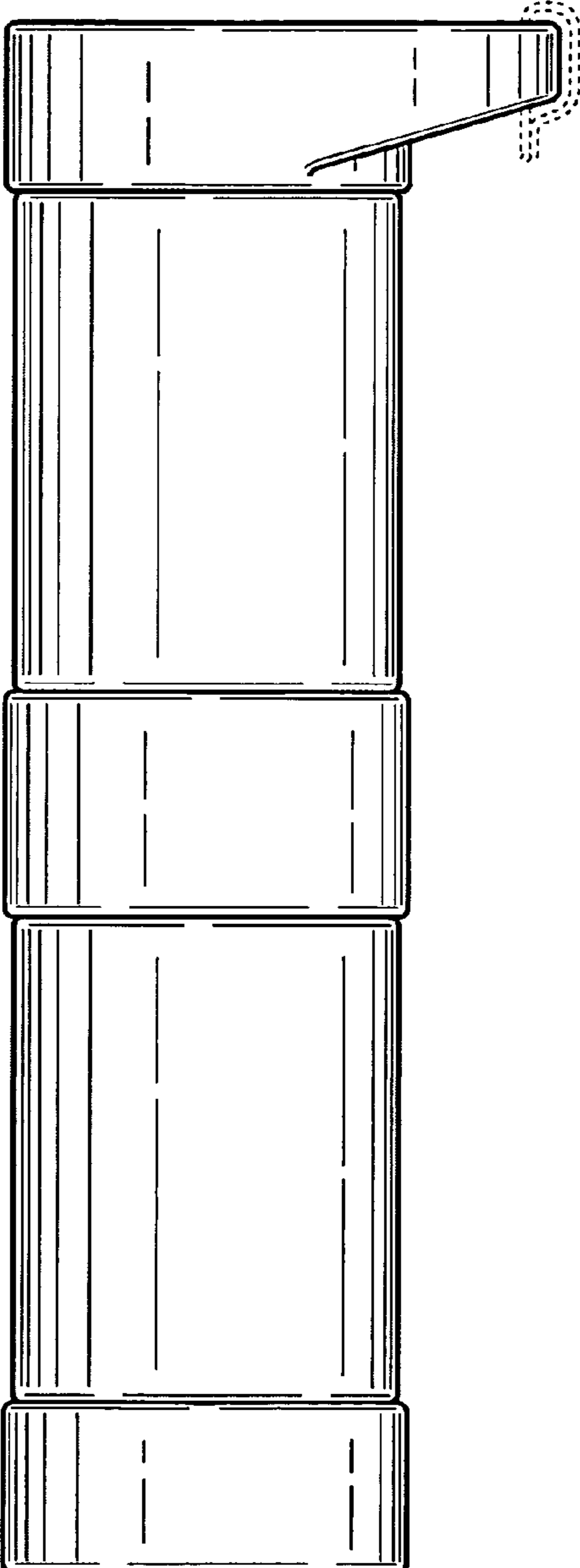


FIG. 6

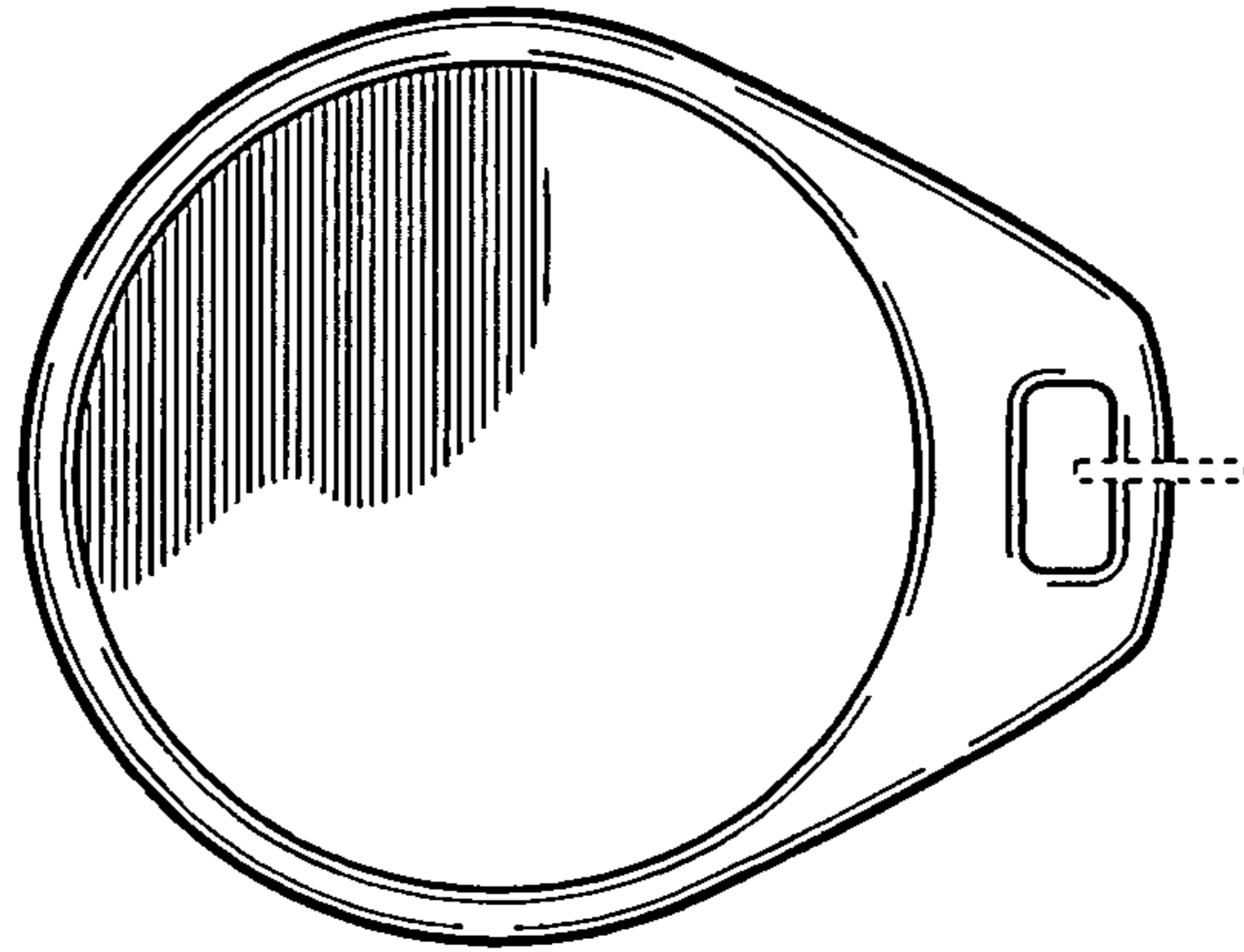


FIG. 7

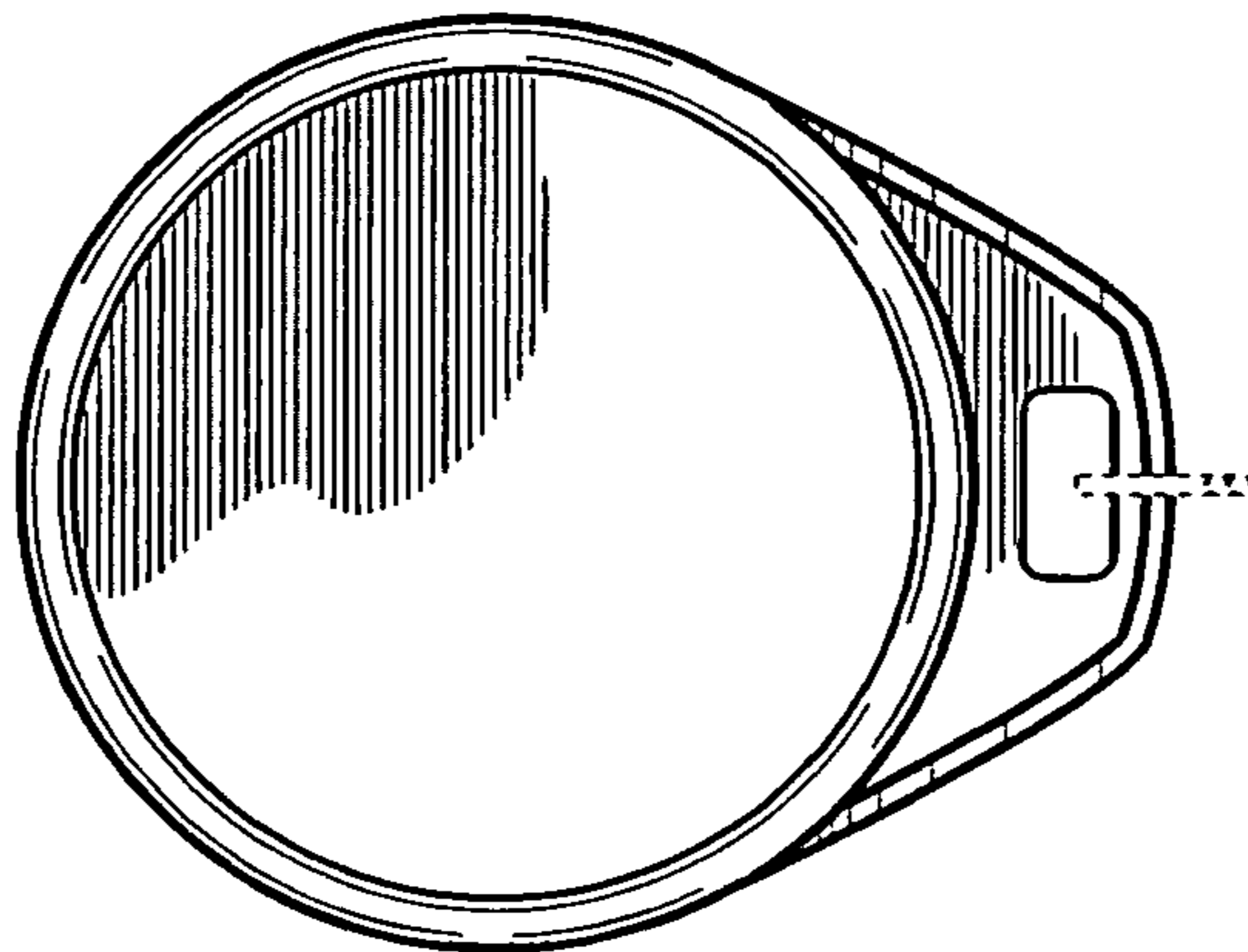


FIG. 8