

US00D723869S

(12) **United States Design Patent**
Joseph

(10) **Patent No.:** **US D723,869 S**
(45) **Date of Patent:** **** Mar. 10, 2015**

(54) **ELEVATED WOODEN SPOON**
(71) Applicant: **Joseph Joseph Ltd**, London (GB)
(72) Inventor: **Antony Joseph**, London (GB)
(73) Assignee: **Joseph Joseph Ltd.**, London (GB)
(**) Term: **14 Years**

(21) Appl. No.: **29/448,152**
(22) Filed: **Mar. 11, 2013**

(30) **Foreign Application Priority Data**

Sep. 21, 2012 (EM) 002107078-0001

(51) **LOC (10) Cl.** **07-03**

(52) **U.S. Cl.**
USPC **D7/401.2; D7/642; D7/653**

(58) **Field of Classification Search**
CPC A01D 9/02; A01D 9/04; A01D 9/06;
A47G 21/00; A47G 21/004; A47G 21/005;
A47G 21/02; A47G 21/023; A47G 21/04;
A47G 21/06; A47G 21/08; A47G 21/145;
A47J 43/28; A47J 43/281; A47J 43/282;
A61F 13/10; A61J 7/0023; B25G 1/00;
B25G 1/01; B25G 1/02; B25G 3/00; B65D
75/56; B65D 75/563; B65D 75/566; B67B
7/00; B67B 7/724; B67B 7/73
USPC D7/368, 395, 401.2, 669, 675-677, 683,
D7/688-689, 691; D8/107, 300-301;
D22/117-118; 16/110.1, 407, 430;
30/1, 137, 142-150, 298.4, 322-329,
30/340, 342-345; 248/37.6; 294/25-26,
294/49, 55.5, 57

See application file for complete search history.

(56) **References Cited**

U.S. PATENT DOCUMENTS

275,112 A * 4/1883 Aldom 30/327
983,736 A * 2/1911 Maconochie 30/1
2,274,219 A * 2/1942 Seller 248/37.6
D291,046 S * 7/1987 Johnson D7/653

D292,663 S * 11/1987 Johnson D7/691
D293,295 S * 12/1987 Johnson D7/688
D307,095 S * 4/1990 Juergens D7/653
D312,749 S * 12/1990 Kessler D7/395
D323,768 S * 2/1992 Friederichs D7/691
D345,284 S * 3/1994 Burdick et al. D7/649
D345,486 S * 3/1994 Burdick et al. D7/401.2
D346,722 S * 5/1994 Burdick et al. D7/645
D351,091 S * 10/1994 Burdick et al. D7/653
D351,310 S * 10/1994 Burdick et al. D7/401.2
D355,565 S * 2/1995 Burdick et al. D7/401.2
D358,741 S * 5/1995 Burdick et al. D7/653
5,590,472 A * 1/1997 Yaakov 30/323
D460,901 S * 7/2002 Geborek D7/691
D520,295 S * 5/2006 Schreiber-Pethan et al. .. D7/395
D546,634 S * 7/2007 Hauser D7/653
D659,467 S * 5/2012 Buchanan D7/395
D674,669 S * 1/2013 Gerli D7/645
D681,401 S * 5/2013 Donovan D7/653
2007/0006470 A1 * 1/2007 Sumner-Trivisani
et al. 30/298.4
2007/0084063 A1 * 4/2007 Hughes 30/298.4
2013/0133207 A1 * 5/2013 Donovan 30/298.4

* cited by examiner

Primary Examiner — Ricky Pham

(74) *Attorney, Agent, or Firm* — Millen, White, Zelano & Branigan, P.C.

(57) **CLAIM**

The ornamental design for an elevated wooden spoon, as shown and described.

DESCRIPTION

FIG. 1 is a perspective view of the elevated wooden spoon showing my new design.

FIG. 2 is a top view thereof.

FIG. 3 is bottom view thereof.

FIG. 4 is front view thereof.

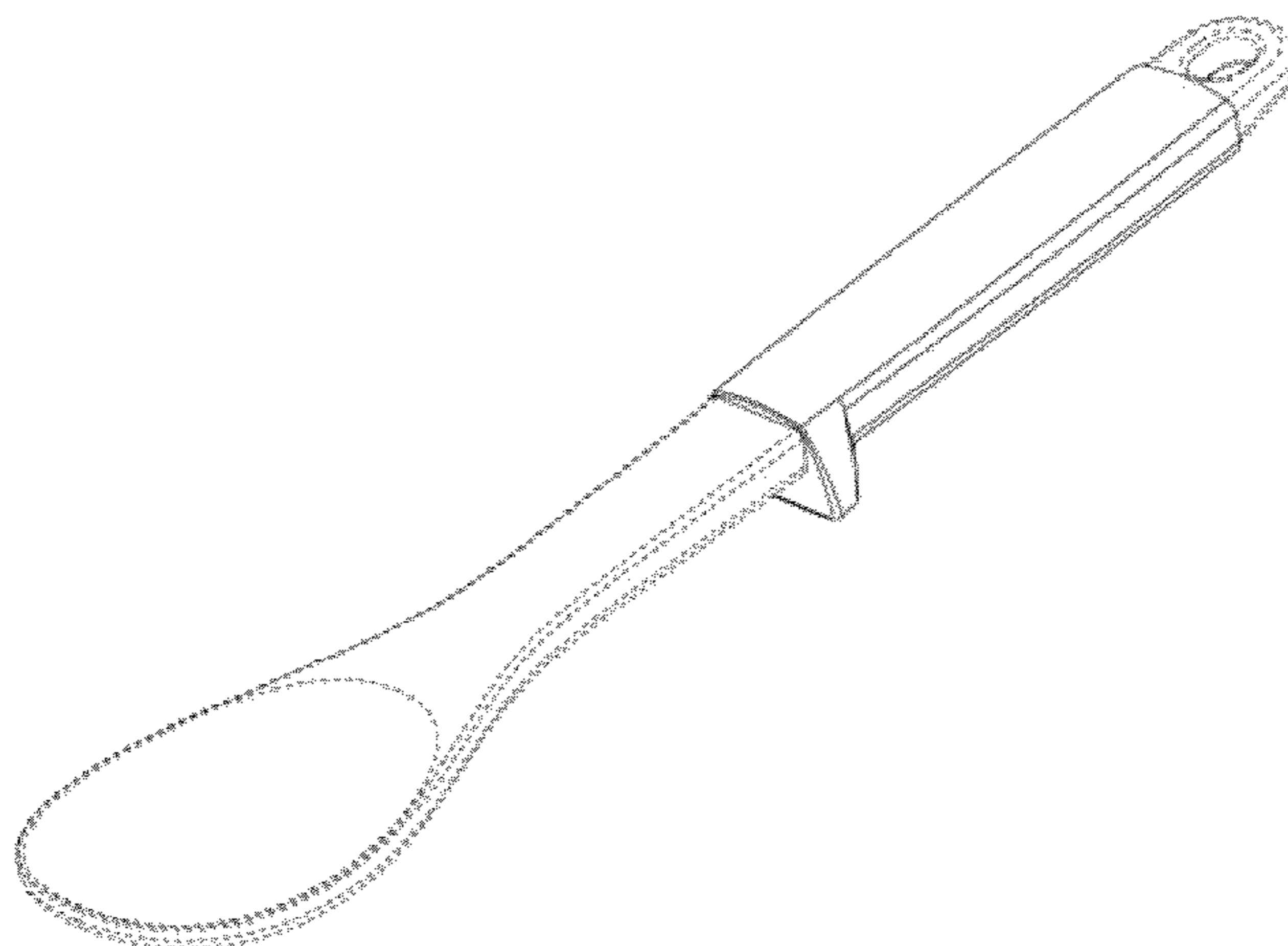
FIG. 5 is back view thereof.

FIG. 6 is a side view thereof; and,

FIG. 7 is another side view thereof.

The broken lines shown in the drawings are for illustrative purposes only and form no part of the claimed design.

1 Claim, 7 Drawing Sheets



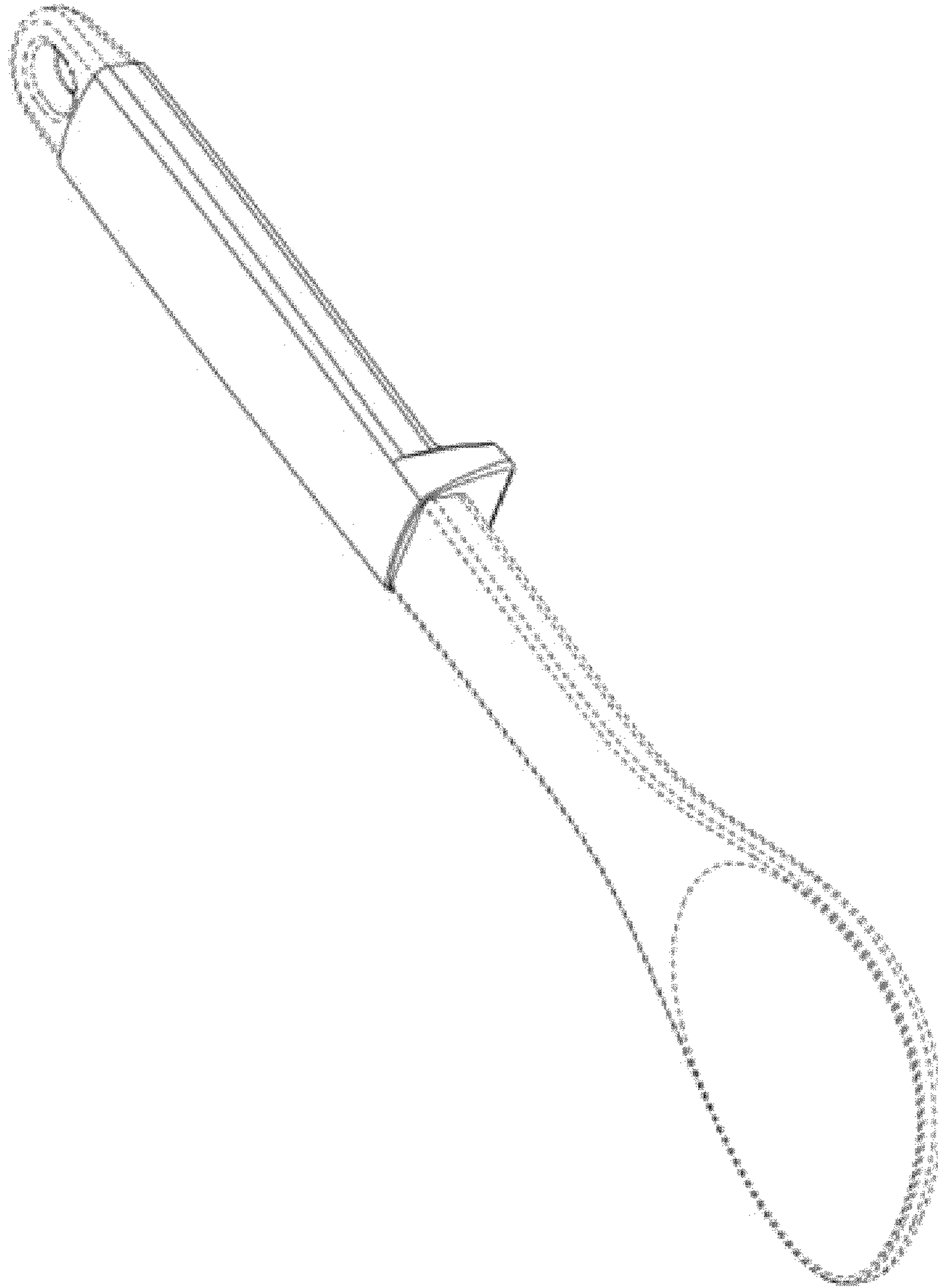


FIG. 1

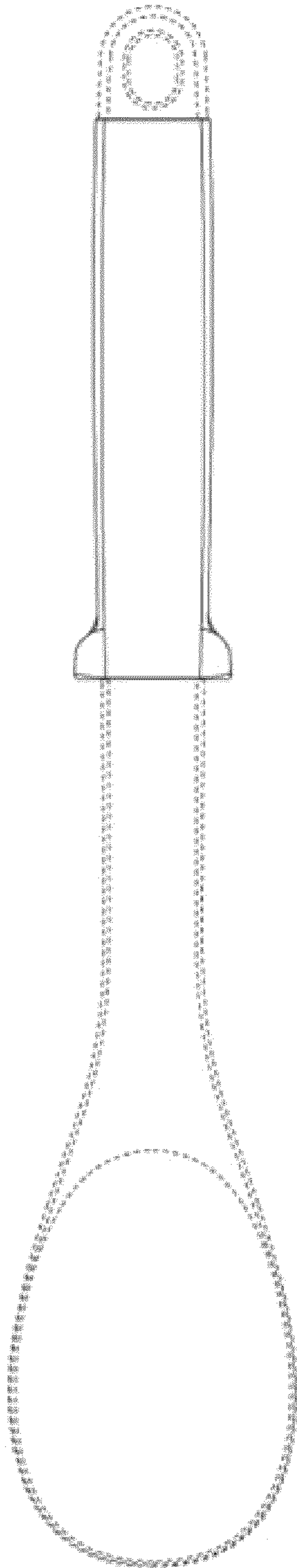


FIG. 2

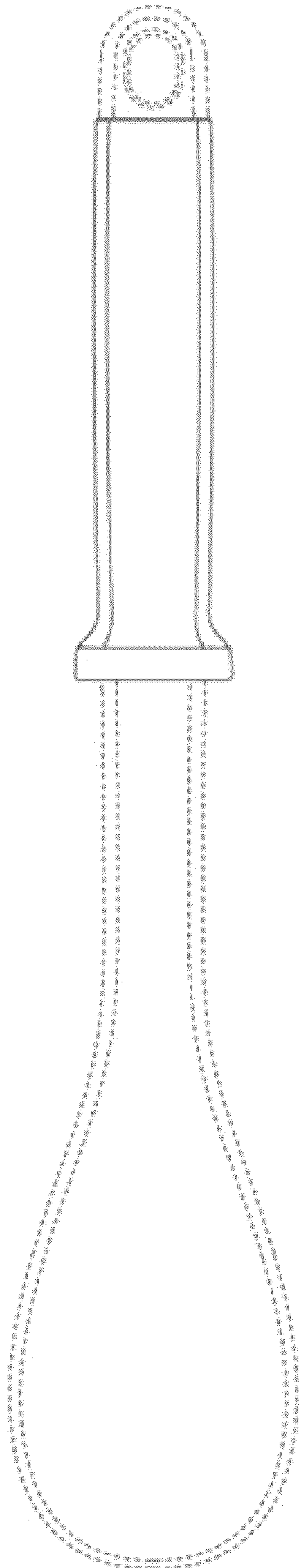


FIG. 3

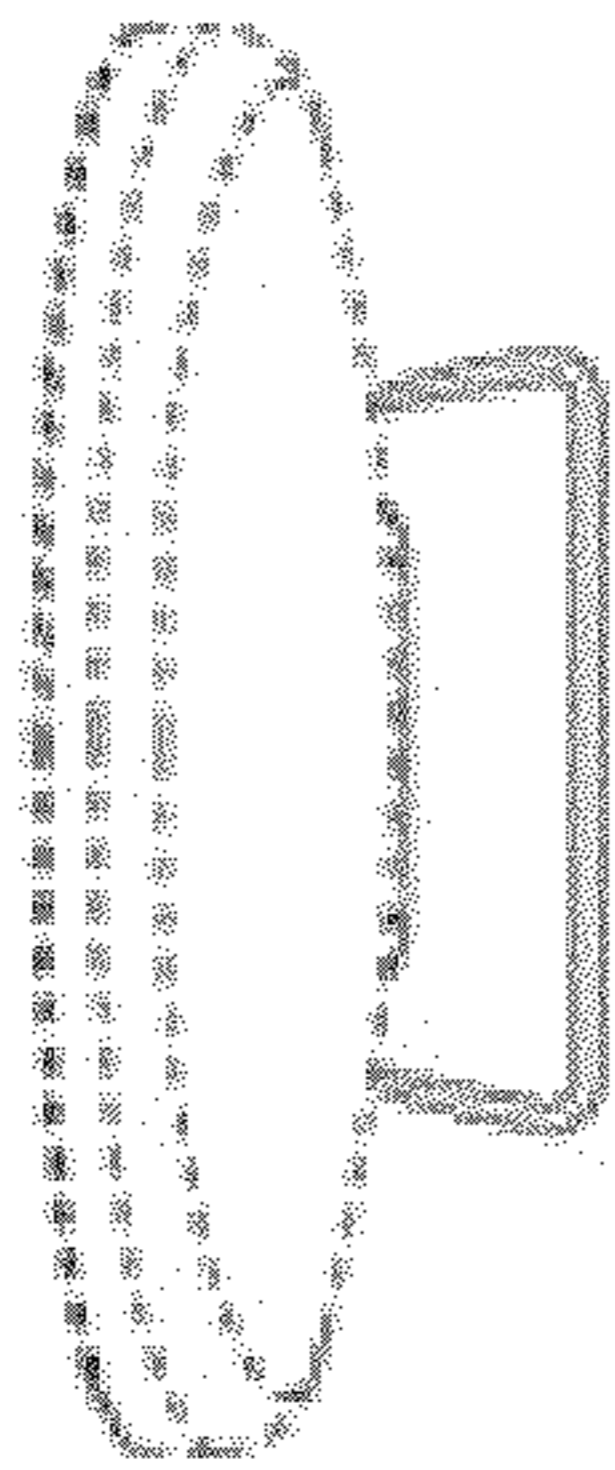


FIG. 4

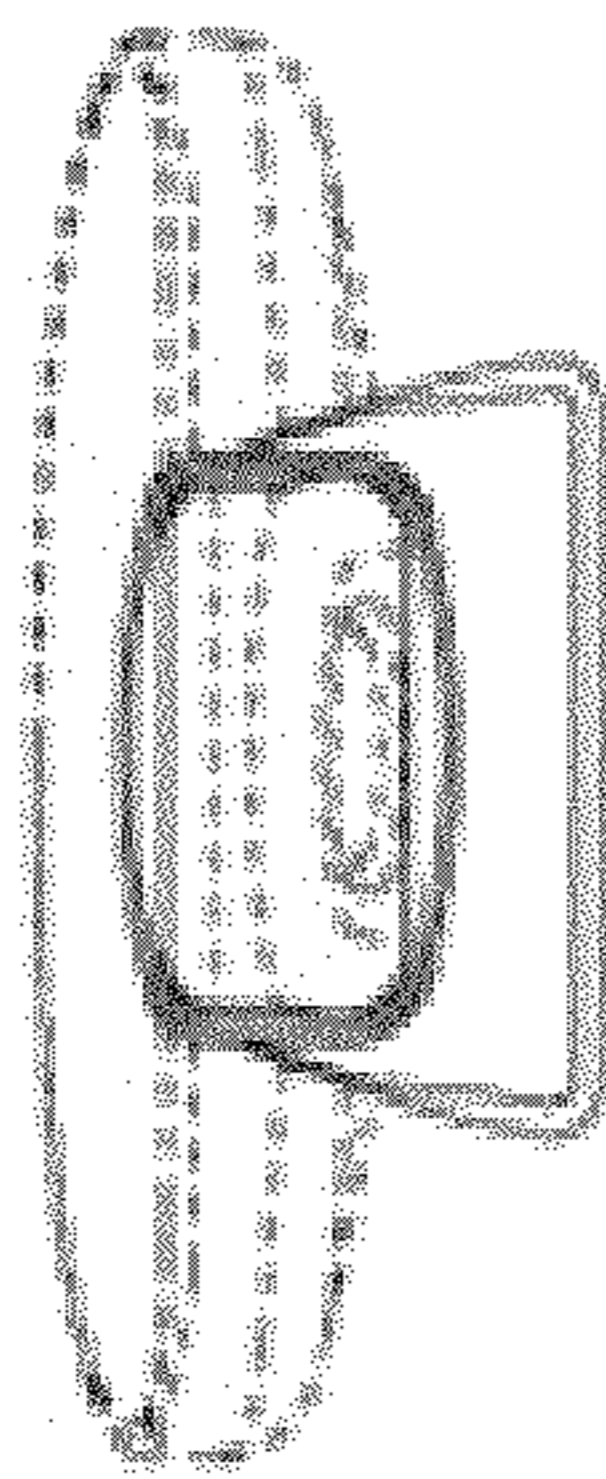


FIG. 5

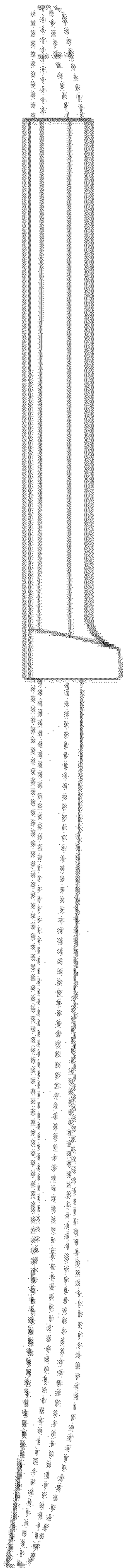


FIG. 6

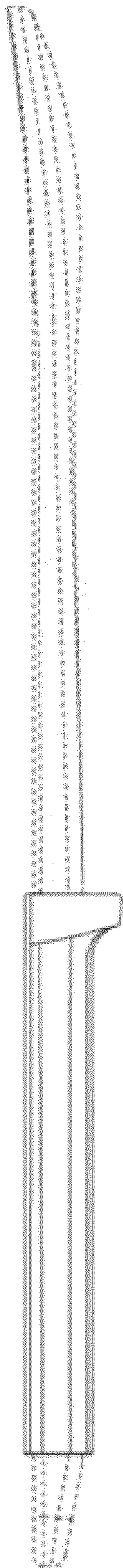


FIG. 7