



US00D723867S

(12) **United States Design Patent**
Andreesen

(10) **Patent No.:** **US D723,867 S**
(45) **Date of Patent:** **** Mar. 10, 2015**

- (54) **SPOUT FOR COFFEE MAKER**
- (71) Applicant: **Koninklijke Philips N.V.**, Eindhoven (NL)
- (72) Inventor: **Stefan Andreesen**, Amsterdam (NL)
- (73) Assignee: **Koninklijke Philips N.V.**, Eindhoven (NL)
- (**) Term: **14 Years**
- (21) Appl. No.: **29/483,510**
- (22) Filed: **Feb. 28, 2014**
- (30) **Foreign Application Priority Data**

Sep. 4, 2013 (EM) 002302497-0002

- (51) **LOC (10) Cl.** **07-99**
- (52) **U.S. Cl.**
USPC **D7/398**; D7/399; D7/397; D23/255;
D23/243

- (58) **Field of Classification Search**
CPC .. B67D 1/0042; B67D 1/0081; B67D 1/0832;
E03C 1/04
USPC D7/398, 399, 400, 401, 386, 387, 393,
D7/397; D23/233, 234, 236, 238, 242,
D23/243, 244, 245, 246, 249, 250, 255, 257,
D23/262, 266, 421, 252, 499, 241, 263;
222/506, 508, 509, 129.1, 144.5;
D8/354, 355; 99/275, 280; 141/362;
D24/190, 129; 128/203.12
See application file for complete search history.

- (56) **References Cited**
U.S. PATENT DOCUMENTS

D239,879 S * 5/1976 Komendowski D24/110
D245,507 S * 8/1977 Crow D23/255

D251,734 S * 5/1979 McCaw et al. D24/129
D273,319 S * 4/1984 Mattingly et al. D23/263
5,181,508 A * 1/1993 Poole, Jr. 128/203.12
D398,237 S * 9/1998 Walter D9/520
D404,302 S * 1/1999 Martin D9/743
D409,728 S * 5/1999 Helmsderfer D23/266
D445,182 S * 7/2001 Haynes D24/129
D447,540 S * 9/2001 Starck D23/241
D456,075 S * 4/2002 Clements et al. D24/121
D456,493 S * 4/2002 Paterson et al. D23/263
D478,155 S * 8/2003 Marinov et al. D23/255
D506,933 S * 7/2005 Kearney D9/743
D515,672 S * 2/2006 Chu D23/249
D585,985 S * 2/2009 Aaberg et al. D24/129
D599,446 S * 9/2009 Price et al. D23/262
D601,429 S * 10/2009 Handy D9/545
D670,558 S * 11/2012 Luzano-Belfield D9/447
D693,435 S * 11/2013 Starck D23/238
D693,441 S * 11/2013 Starck D23/255

* cited by examiner

Primary Examiner — Marianne Pandozzi

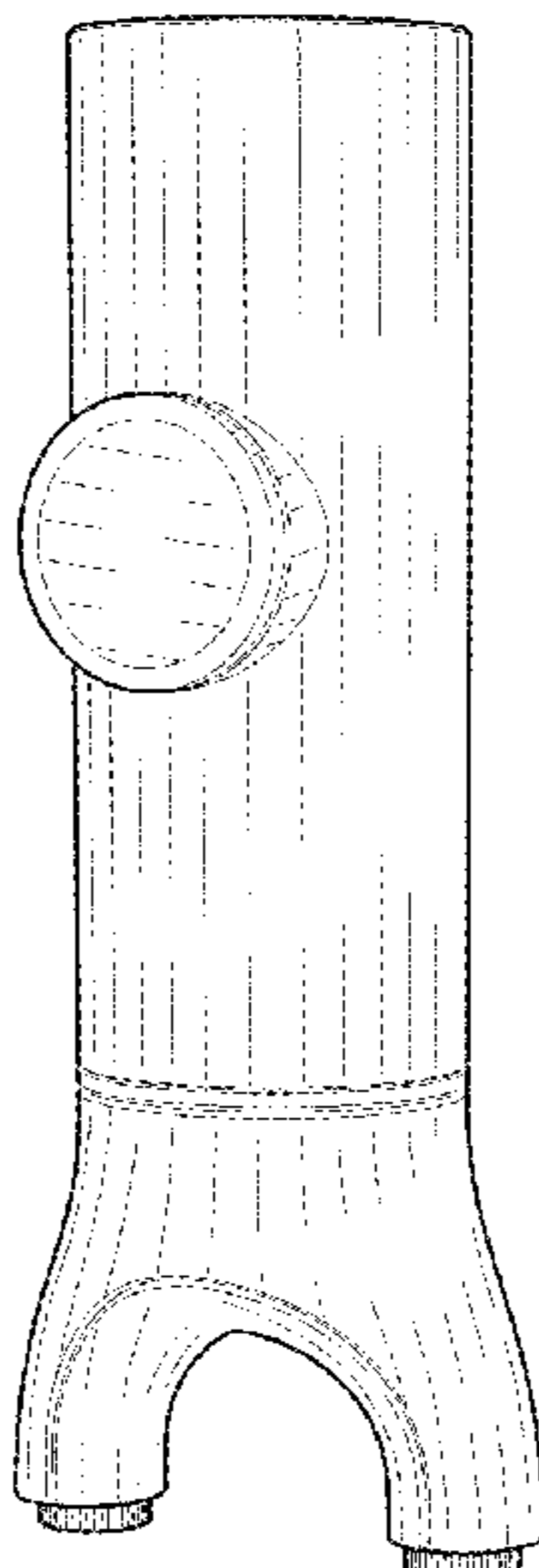
Assistant Examiner — Jae Liang

- (57) **CLAIM**
The ornamental design for a spout for coffee maker, as shown.

DESCRIPTION

FIG. 1 is a perspective view showing my design;
FIG. 2 is a front elevational view thereof;
FIG. 3 is a rear elevational view thereof;
FIG. 4 is a right side elevational view thereof;
FIG. 5 is a left side elevational view thereof;
FIG. 6 is a top plan view thereof; and,
FIG. 7 is a bottom plan view thereof.

1 Claim, 3 Drawing Sheets



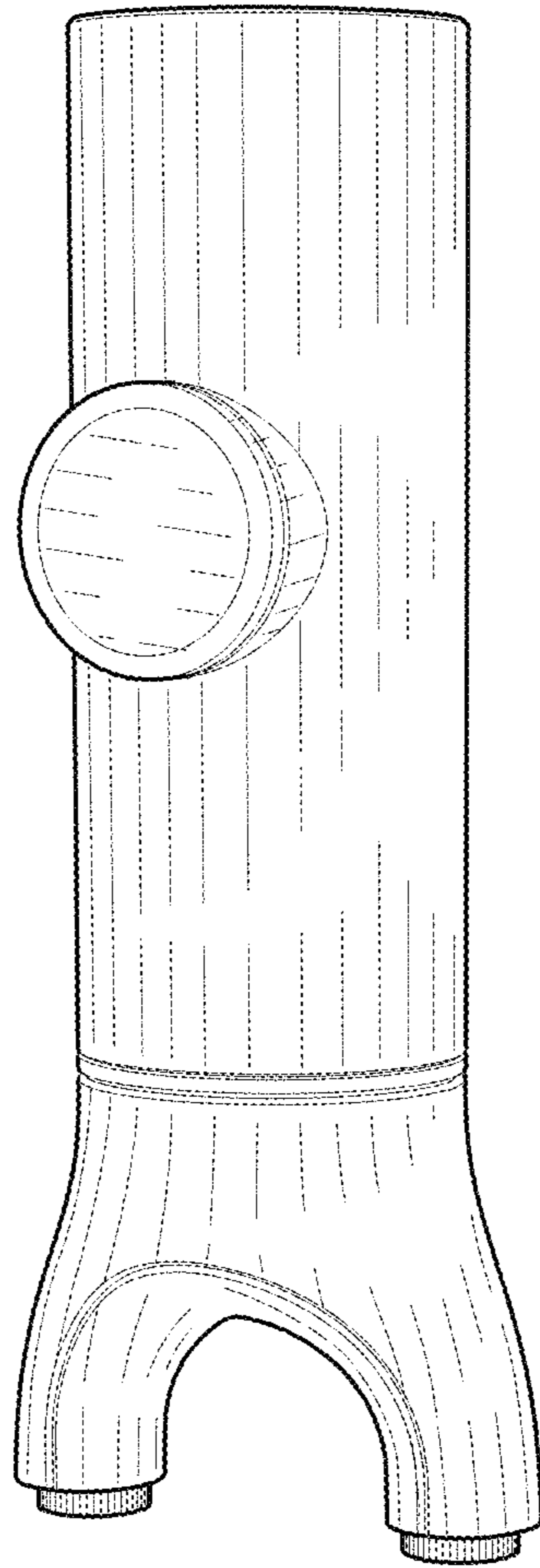


FIG. 1

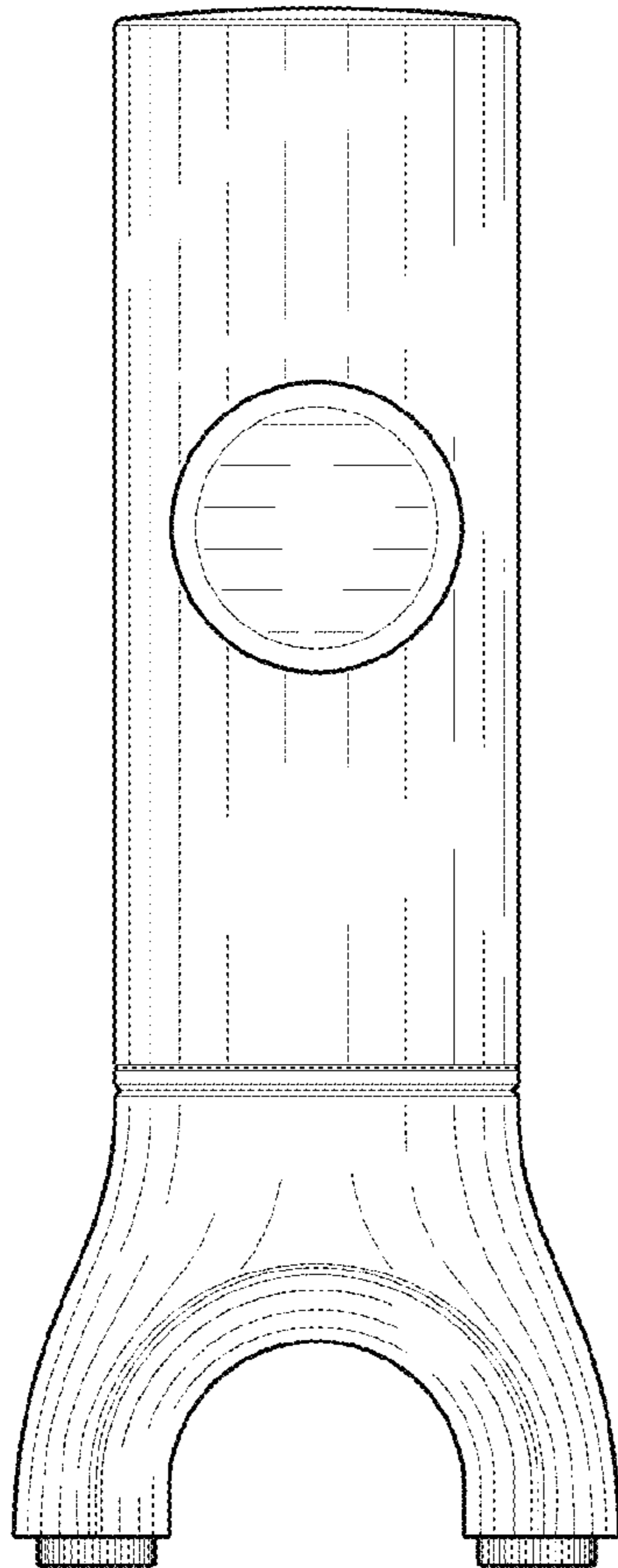


FIG. 2

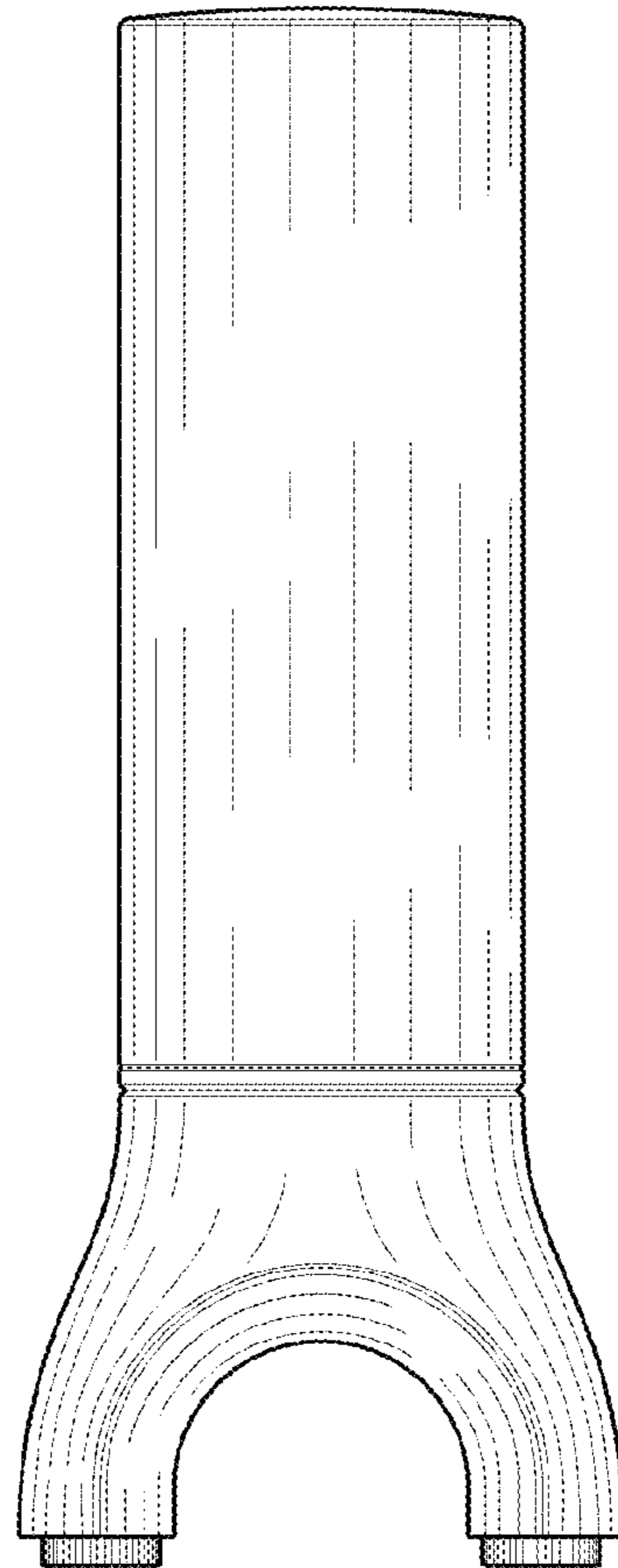


FIG. 3

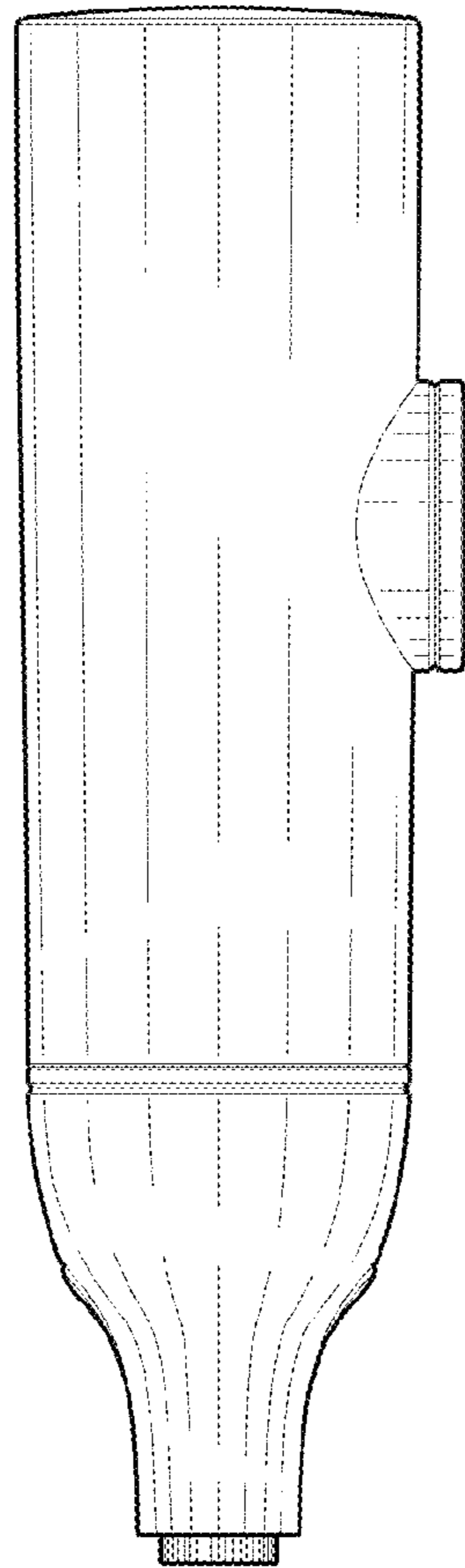


FIG. 4

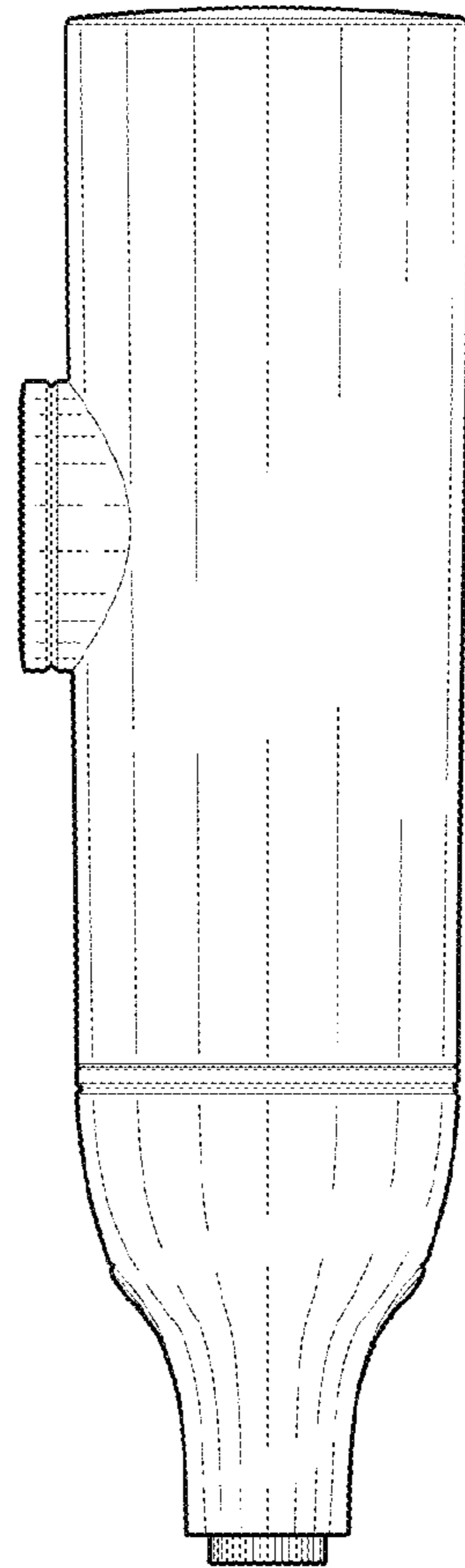


FIG. 5

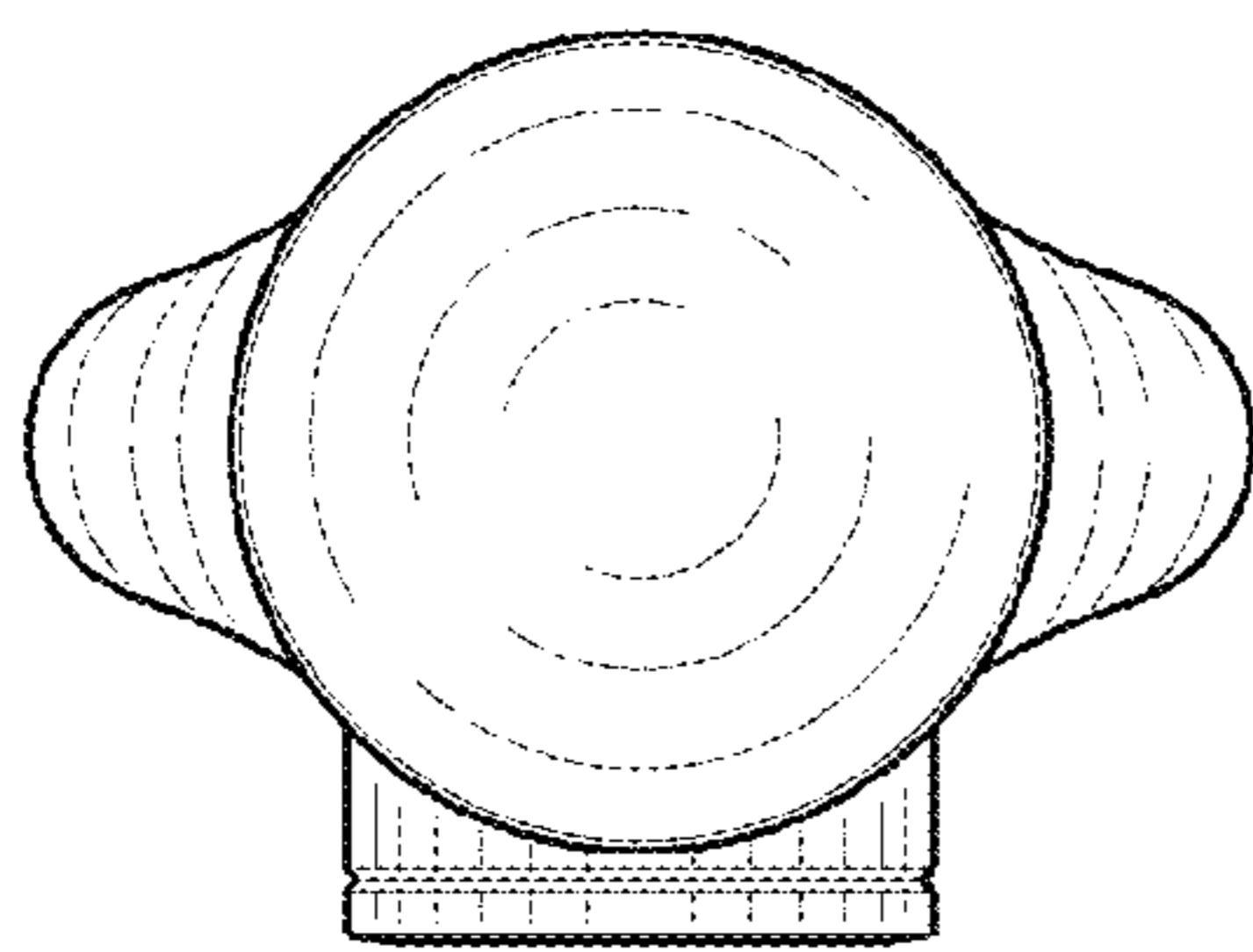


FIG. 6

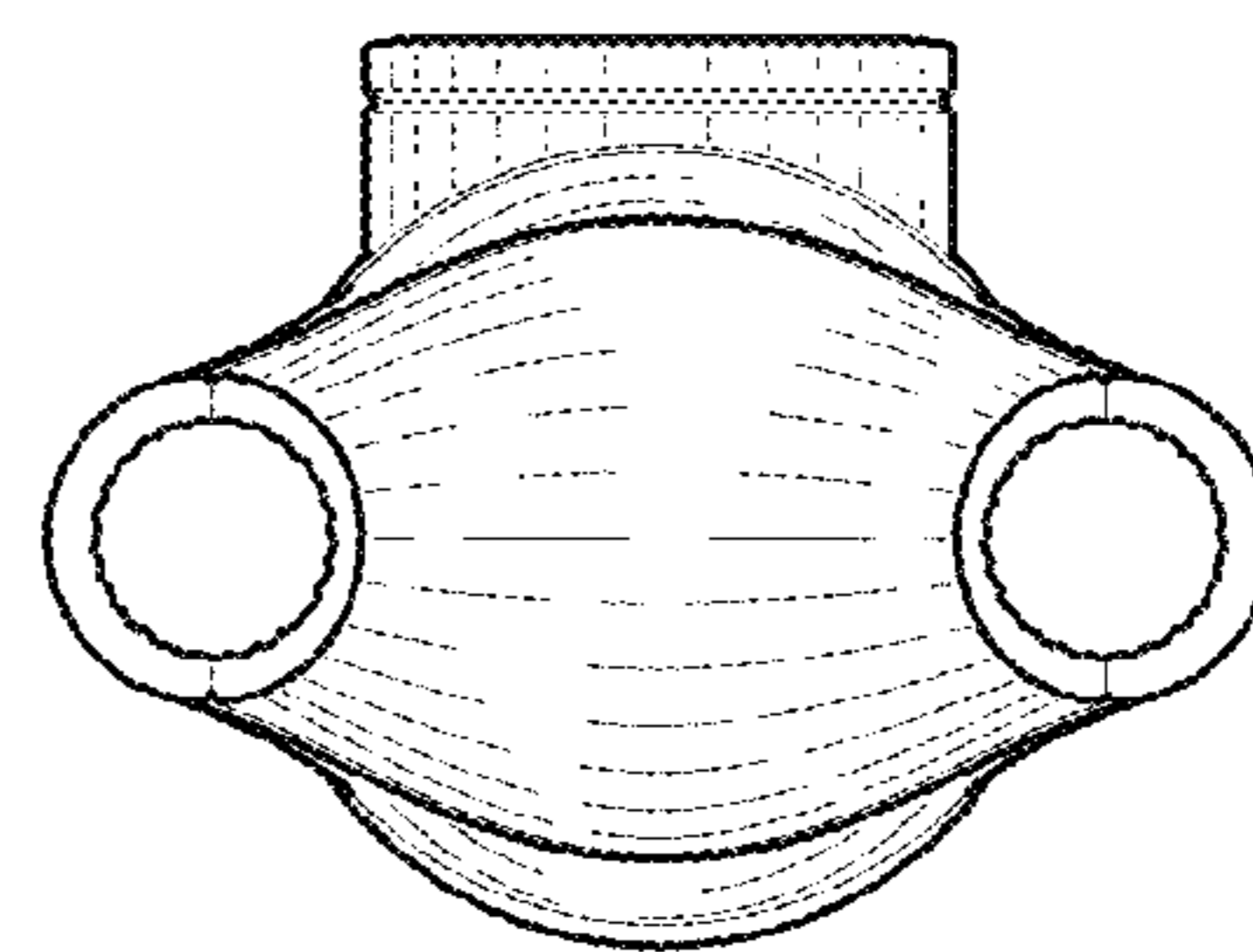


FIG. 7