

US00D723864S

(12) **United States Design Patent**
Thurin et al.

(10) **Patent No.:** **US D723,864 S**
(45) **Date of Patent:** **** Mar. 10, 2015**

(54) **CONTAINER**

(71) Applicant: **S.C. Johnson & Son, Inc.**, Racine, WI
(US)

(72) Inventors: **Matthew N. Thurin**, Wauwatosa, WI
(US); **Rishabh Singh**, Milwaukee, WI
(US); **Christopher M. Wlezien**,
Chicago, IL (US); **Peter I. Capraro**, San
Francisco, CA (US); **Allan Freas Velzy**,
Boston, MA (US)

(73) Assignee: **S.C. Johnson & Son, Inc.**, Racine, WI
(US)

(**) Term: **14 Years**

(21) Appl. No.: **29/461,256**

(22) Filed: **Jul. 19, 2013**

(51) **LOC (10) Cl.** **07-01**

(52) **U.S. Cl.**
USPC **D7/392.1**

(58) **Field of Classification Search**
CPC B65D 43/02; B65D 21/0209
USPC D7/392.1, 391, 392, 397; 220/212, 213;
D9/451, 435, 452; 215/11.1, 41
See application file for complete search history.

(56) **References Cited**

U.S. PATENT DOCUMENTS

| | | | |
|---------------|---------|------------------|---------|
| 1,542,115 A | 6/1925 | Weis | |
| 2,412,325 A | 12/1946 | Devine et al. | |
| 2,575,770 A | 11/1951 | Roop | |
| 2,606,586 A | 8/1952 | Hill | |
| 2,695,115 A | 11/1954 | Roop | |
| 2,752,970 A * | 7/1956 | Tupper | 220/802 |
| 3,117,692 A | 1/1964 | Carpenter et al. | |
| 3,262,602 A | 7/1966 | McConnell et al. | |
| 3,338,468 A | 8/1967 | Wilson | |
| 3,452,896 A | 7/1969 | Elliot | |
| 3,589,554 A | 6/1971 | Smith | |

| | | | |
|---------------|---------|---------------------|---------|
| 3,981,401 A | 9/1976 | Blanchard | |
| 4,412,630 A * | 11/1983 | Daenen | 220/792 |
| 4,483,455 A | 11/1984 | Prophet, Jr. et al. | |
| D277,632 S * | 2/1985 | Staufenberg | D7/629 |
| D279,251 S | 6/1985 | Daenen et al. | |
| 4,562,937 A | 1/1986 | Iyengar | |
| 4,700,842 A | 10/1987 | Grusin | |
| 4,742,935 A | 5/1988 | Schellenberg | |
| 4,844,263 A | 7/1989 | Hadtke | |
| 4,899,925 A | 2/1990 | Bowden et al. | |
| 4,951,832 A | 8/1990 | Tenney et al. | |

(Continued)

FOREIGN PATENT DOCUMENTS

| | | |
|----|-------------------|---------|
| GB | 4021888 | 10/2011 |
| WO | WO 2012/009035 A1 | 1/2012 |

OTHER PUBLICATIONS

Co-pending U.S. Appl. No. 13/946,513, filed Jul. 19, 2013.

(Continued)

Primary Examiner — George D Kirschbaum

Assistant Examiner — Kendra L Hamilton

(57) **CLAIM**

The ornamental design for a container, as shown and described.

DESCRIPTION

FIG. 1 is a top perspective view of a container showing our new design;

FIG. 2 is a front view thereof;

FIG. 3 is a rear view thereof;

FIG. 4 is a right side view thereof;

FIG. 5 is a left side view thereof;

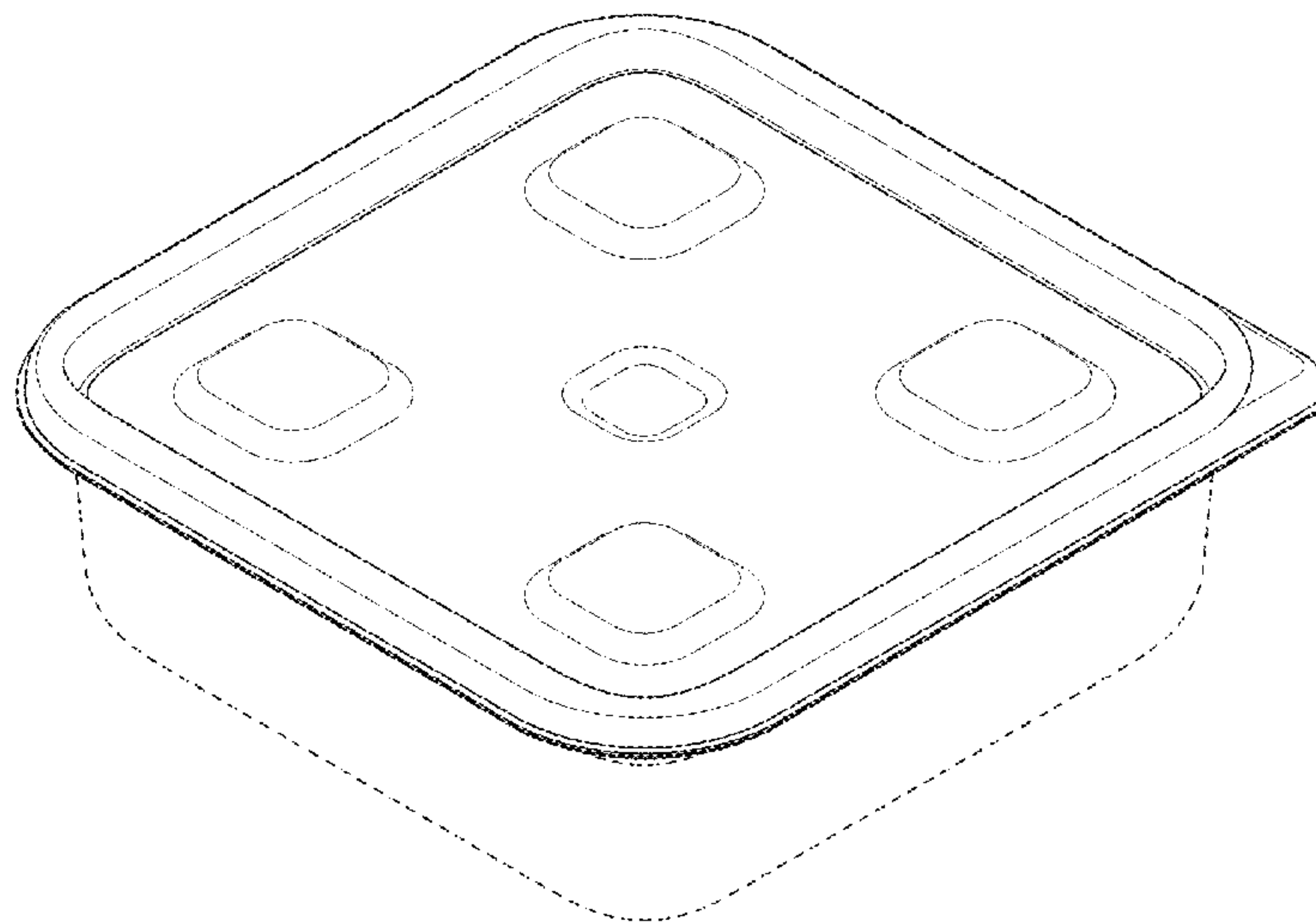
FIG. 6 is a top view thereof;

FIG. 7 is a bottom view thereof; and,

FIG. 8 is a bottom perspective view thereof.

The broken lines in the Figures show portions of the container which form no part of the claimed design.

1 Claim, 8 Drawing Sheets



(56)

References Cited

U.S. PATENT DOCUMENTS

| | | | | | | | | |
|-----------|----|----------|-------------------|--------------|----|-----------|------------------|----------|
| 5,184,745 | A | 2/1993 | Havens et al. | D527,954 | S | 9/2006 | Roth | |
| 5,356,026 | A | 10/1994 | Andress et al. | D536,922 | S | 2/2007 | Roth et al. | |
| 5,377,860 | A | 1/1995 | Littlejohn et al. | D536,923 | S | 2/2007 | Roth et al. | |
| 5,409,126 | A | 4/1995 | DeMars | D539,099 | S | * 3/2007 | Tucker et al. | D7/629 |
| D360,105 | S | 7/1995 | Doxey | D542,100 | S | 5/2007 | Kim | |
| 5,542,234 | A | 8/1996 | Wyslotsky et al. | 7,216,769 | B2 | 5/2007 | Palder | |
| 5,560,315 | A | 10/1996 | Lampe | D545,618 | S | 7/2007 | Zettle et al. | |
| 5,586,656 | A | 12/1996 | Abrums | D547,177 | S | 7/2007 | Sherman et al. | |
| 5,634,559 | A | 6/1997 | Foos et al. | D548,538 | S | 8/2007 | Liu | |
| D388,325 | S | 12/1997 | Tucker et al. | 7,261,219 | B2 | 8/2007 | Tucker et al. | |
| 5,692,617 | A | 12/1997 | Adams | D551,496 | S | 9/2007 | Ablo et al. | |
| 5,709,304 | A | 1/1998 | Credle, Jr. | 7,264,135 | B2 | 9/2007 | Savicki et al. | |
| D390,109 | S | 2/1998 | Tucker et al. | D555,475 | S | 11/2007 | Enriquez et al. | |
| 5,769,229 | A | 6/1998 | Andress et al. | D556,517 | S | 12/2007 | Lown et al. | |
| 5,799,792 | A | 9/1998 | Abrums | 7,347,327 | B2 | 3/2008 | Lobman et al. | |
| 5,810,187 | A | 9/1998 | Woodring | 7,357,272 | B2 | 4/2008 | Maxwell | |
| D411,741 | S | 6/1999 | Wilson et al. | D568,693 | S | 5/2008 | Furlong | |
| 5,992,679 | A | 11/1999 | Porchia et al. | D568,694 | S | 5/2008 | Furlong | |
| D419,829 | S | * 2/2000 | Wilson et al. | D569,722 | S | 5/2008 | Stamper et al. | |
| D420,252 | S | 2/2000 | Loew et al. | 7,380,412 | B2 | 6/2008 | Roth et al. | |
| 6,032,827 | A | 3/2000 | Zettle et al. | D575,100 | S | 8/2008 | Liu | |
| D427,063 | S | 6/2000 | May | 7,451,875 | B1 | 11/2008 | Norris | |
| D428,310 | S | 7/2000 | Zettle et al. | D585,699 | S | 2/2009 | Furlong | |
| 6,168,044 | B1 | 1/2001 | Zettle et al. | D586,179 | S | 2/2009 | Furlong | |
| 6,170,696 | B1 | 1/2001 | Tucker et al. | D588,417 | S | 3/2009 | Doliwa | |
| D439,744 | S | 4/2001 | Ho | D589,759 | S | 4/2009 | Ozery et al. | |
| D440,470 | S | 4/2001 | Tucker et al. | 7,549,540 | B2 | 6/2009 | Lee et al. | |
| D443,184 | S | 6/2001 | Maxwell et al. | D600,113 | S | * 9/2009 | Edwards et al. | D9/425 |
| D443,798 | S | 6/2001 | Tucker et al. | D603,697 | S | 11/2009 | Edwards et al. | |
| D446,117 | S | 8/2001 | Conti | D606,812 | S | 12/2009 | Wu | |
| D447,382 | S | 9/2001 | Tucker et al. | 7,661,528 | B2 | 2/2010 | Vovan et al. | |
| D448,606 | S | 10/2001 | Conti | D611,807 | S | 3/2010 | Miga, Jr. | |
| D448,969 | S | 10/2001 | Conti | D613,111 | S | * 4/2010 | Furlong | D7/392.1 |
| D449,495 | S | 10/2001 | Tucker et al. | D615,349 | S | 5/2010 | Furlong | |
| D450,983 | S | 11/2001 | Tucker et al. | D618,516 | S | 6/2010 | DiPietro et al. | |
| D451,769 | S | 12/2001 | Stanos et al. | 7,726,483 | B2 | 6/2010 | Ramanujam et al. | |
| 6,415,945 | B1 | 7/2002 | Zank et al. | 7,735,674 | B2 | 6/2010 | Cai | |
| D462,880 | S | 9/2002 | Maxwell et al. | D623,893 | S | * 9/2010 | Smyers | D7/392 |
| 6,467,647 | B1 | 10/2002 | Tucker et al. | 7,866,502 | B2 | 1/2011 | Maxwell | |
| D465,382 | S | 11/2002 | Wolf et al. | D642,861 | S | 8/2011 | Samartgis | |
| D466,364 | S | 12/2002 | Demore | 8,006,513 | B2 | 8/2011 | Roth et al. | |
| D472,774 | S | 4/2003 | Pelstring et al. | 8,011,205 | B2 | 9/2011 | Roth et al. | |
| 6,557,720 | B2 | 5/2003 | Tosdale et al. | D648,171 | S | * 11/2011 | Rusnak | D7/392 |
| D485,468 | S | * 1/2004 | Roth et al. | D648,538 | S | * 11/2011 | Reinhart et al. | D3/318 |
| D485,473 | S | 1/2004 | Dais et al. | 8,074,830 | B2 | 12/2011 | Pomfrey | |
| 6,672,473 | B2 | 1/2004 | Torniainen et al. | 8,083,084 | B2 | 12/2011 | Vovan | |
| 6,685,049 | B1 | 2/2004 | Paladino | 8,083,095 | B2 | 12/2011 | Hui | |
| D490,278 | S | 5/2004 | Welsh | 8,118,190 | B2 | 2/2012 | Coonce | |
| 6,729,472 | B2 | 5/2004 | Stucke et al. | 8,123,064 | B2 | 2/2012 | Vovan | |
| 6,761,041 | B2 | 7/2004 | Roth et al. | 8,146,766 | B2 | 4/2012 | Vovan et al. | |
| 6,796,430 | B2 | 9/2004 | Mercier et al. | 8,157,123 | B2 | 4/2012 | Tucker et al. | |
| 6,874,650 | B2 | 4/2005 | Welsh et al. | 8,308,021 | B2 | 11/2012 | Turvey et al. | |
| 6,886,694 | B2 | 5/2005 | McNeeley et al. | 8,322,530 | B2 | 12/2012 | Furlong | |
| D505,835 | S | 6/2005 | Schultz et al. | 8,381,909 | B2 | 2/2013 | Hernandez et al. | |
| D505,839 | S | 6/2005 | Stanos et al. | D677,568 | S | * 3/2013 | Sina | D9/451 |
| D505,840 | S | 6/2005 | Schultz et al. | 2004/0144781 | A1 | 7/2004 | Dees et al. | |
| D506,106 | S | 6/2005 | Ordiway et al. | 2006/0011626 | A1 | 1/2006 | Palder | |
| D506,359 | S | 6/2005 | Zettle et al. | 2006/0070907 | A1 | 4/2006 | O'Shea | |
| 6,910,599 | B2 | 6/2005 | Tucker et al. | 2007/0119743 | A1 | 5/2007 | Tucker et al. | |
| D507,155 | S | 7/2005 | Gosen et al. | 2007/0187277 | A1 | 8/2007 | Furlong | |
| D507,937 | S | 8/2005 | Dais et al. | 2008/0105630 | A1 | 5/2008 | Lown | |
| D508,187 | S | 8/2005 | Dais et al. | 2009/0084796 | A1 | 4/2009 | Coonce et al. | |
| D508,188 | S | 8/2005 | Zettle et al. | 2009/0145797 | A1 | 6/2009 | Steinmeyer | |
| D511,435 | S | 11/2005 | Roth et al. | 2009/0173656 | A1 | 7/2009 | Furlong | |
| D512,278 | S | 12/2005 | Schultz et al. | 2010/0006467 | A1 | 1/2010 | Joseph et al. | |
| D514,390 | S | 2/2006 | Palder | 2010/0065461 | A1 | 3/2010 | Chhay | |
| D516,859 | S | 3/2006 | Zettle et al. | 2010/0170824 | A1 | 7/2010 | Ramanujam et al. | |
| 7,017,775 | B2 | 3/2006 | Zettle et al. | 2010/0176022 | A1 | 7/2010 | Furlong | |
| 7,032,773 | B2 | 4/2006 | Dees et al. | 2010/0181323 | A1 | 7/2010 | Thaler et al. | |
| D522,319 | S | 6/2006 | Palder | 2010/0200588 | A1 | 8/2010 | Bergman et al. | |
| 7,063,231 | B2 | 6/2006 | Stanos et al. | 2011/0031153 | A1 | 2/2011 | Vovan | |
| D526,161 | S | 8/2006 | Roth et al. | 2011/0114638 | A1 | 5/2011 | Kettner et al. | |
| D527,224 | S | 8/2006 | Roth et al. | 2011/0309075 | A1 | 12/2011 | Roth et al. | |
| D527,951 | S | 9/2006 | Roth et al. | 2011/0315702 | A1 | 12/2011 | LeBoeuf et al. | |
| D527,952 | S | 9/2006 | Roth et al. | 2012/0006837 | A1 | 1/2012 | Becklin | |

(56)

References Cited

U.S. PATENT DOCUMENTS

2012/0037652 A1* 2/2012 Turvey et al. 220/780
2012/0048874 A1 3/2012 Oakes et al.

OTHER PUBLICATIONS

Infantino Annabel Karmel Feeding Accessories, <<http://www.thanksmailcarrier.com/2010/11/infantino-annabel-karmel-feeding.html>>, accessed Jan. 25, 2013.

LunchBlox™ Sandwich Kit, <http://www.rubbermaid.com/category/pages/productdetail.aspx?Prod_ID=RP092026>, accessed Jan. 25, 2013.

Play With Your Food: Lego Bento Box, <<http://kawaii-fabric.com/tag/fun-bento-boxes/>>, accessed Jan. 25, 2013.

Set of 5 Stackable Containers, <<http://www.etsy.com/listing/50125726/set-5-of-stackable-containers>>, accessed Jan. 25, 2013.

Co-pending U.S. Appl. No. 29/461,249, filed Jul. 19, 2013.

Co-pending U.S. Appl. No. 29/461,250, filed Jul. 19, 2013.

Co-pending U.S. Appl. No. 29/461,251, filed Jul. 19, 2013.

Co-pending U.S. Appl. No. 29/461,252, filed Jul. 19, 2013.

Co-pending U.S. Appl. No. 29/461,253, filed Jul. 19, 2013.

Co-pending U.S. Appl. No. 29/461,254, filed Jul. 19, 2013.

Co-pending U.S. Appl. No. 29/461,255, filed Jul. 19, 2013.

Co-pending U.S. Appl. No. 29/461,257, filed Jul. 19, 2013.

Co-pending U.S. Appl. No. 29/461,258, filed Jul. 19, 2013.

Co-pending U.S. Appl. No. 29/461,259, filed Jul. 19, 2013.

Co-pending U.S. Appl. No. 29/461,260, filed Jul. 19, 2013.

Co-pending U.S. Appl. No. 29/461,261, filed Jul. 19, 2013.

Co-pending U.S. Appl. No. 29/469,505, filed Oct. 10, 2013.

Co-pending U.S. Appl. No. 29/469,506, filed Oct. 10, 2013.

* cited by examiner

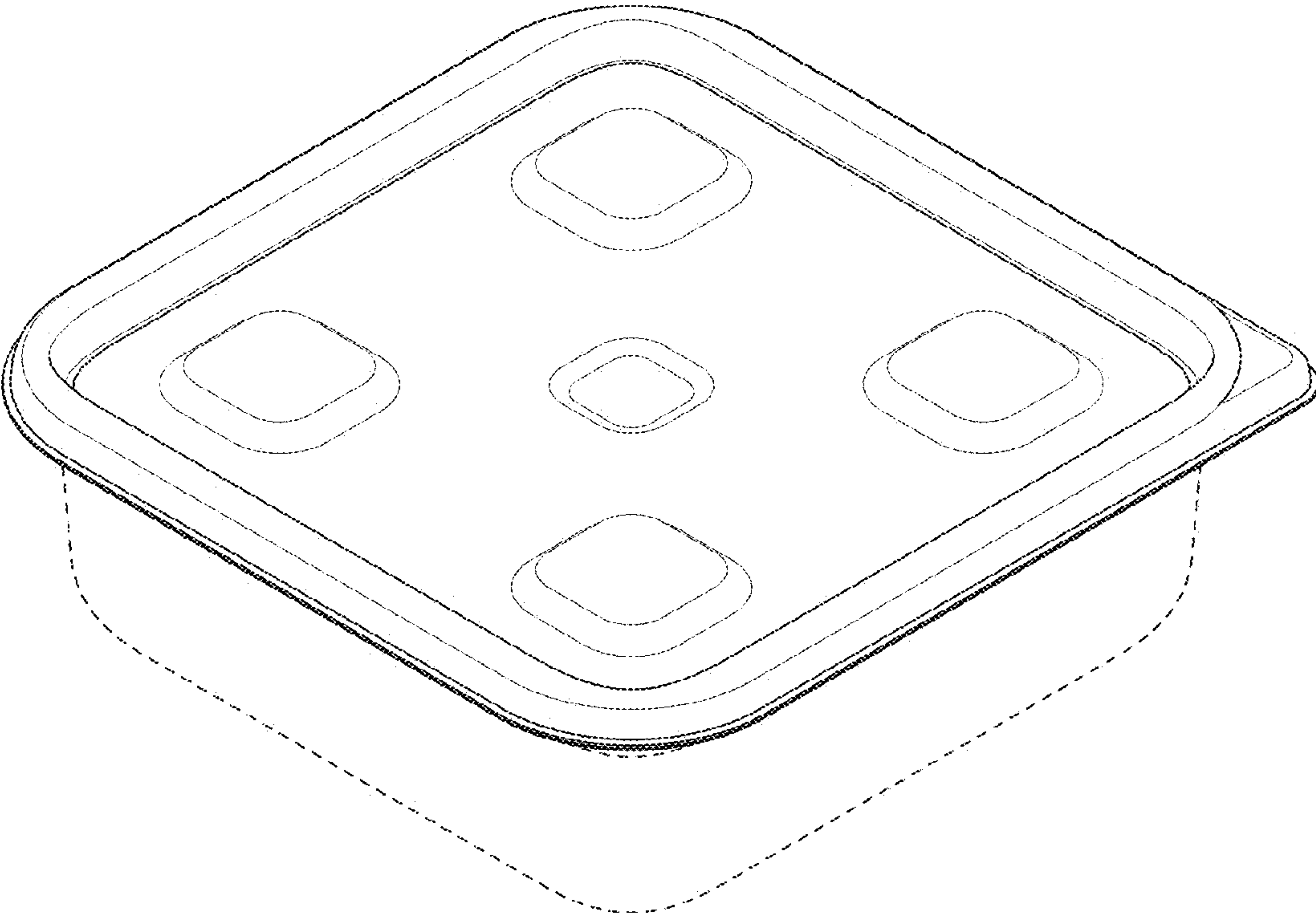


FIG. 1

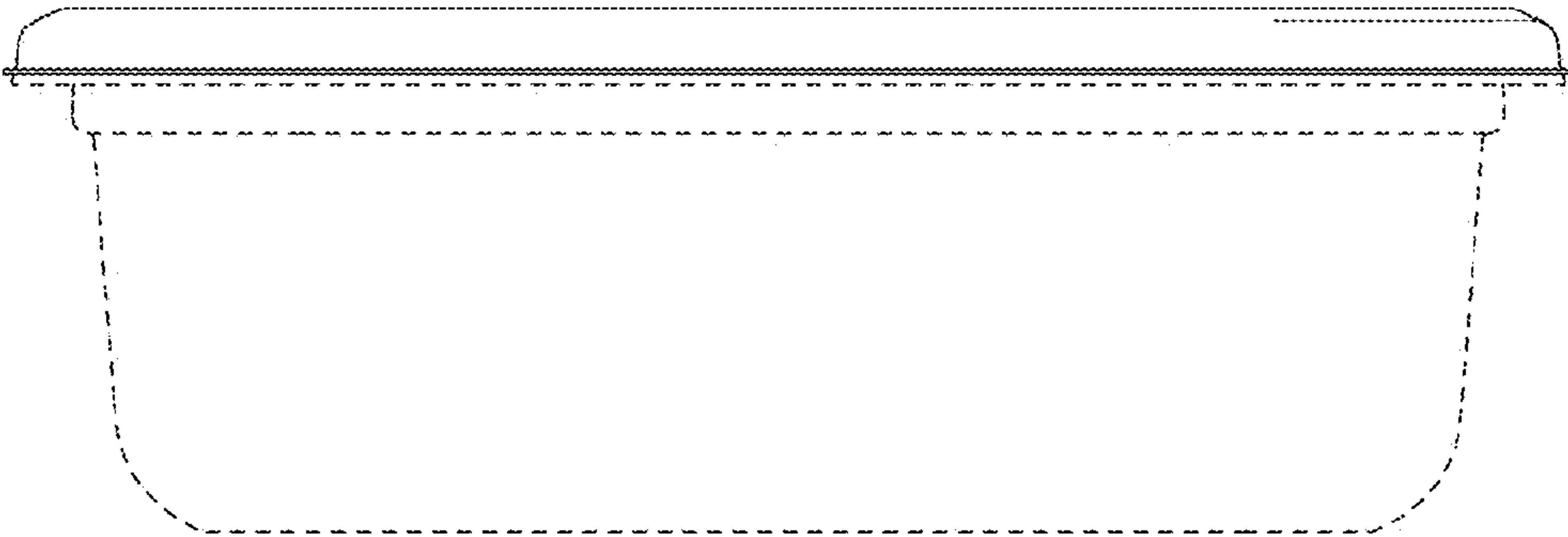


FIG. 2

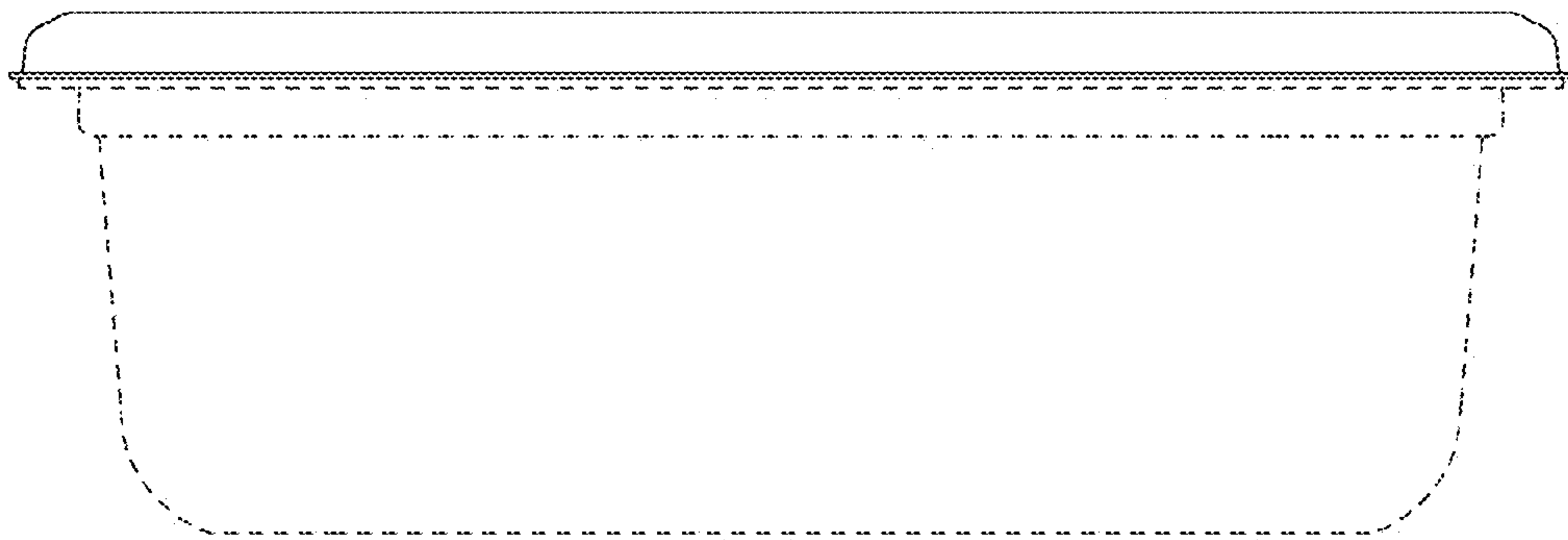


FIG. 3

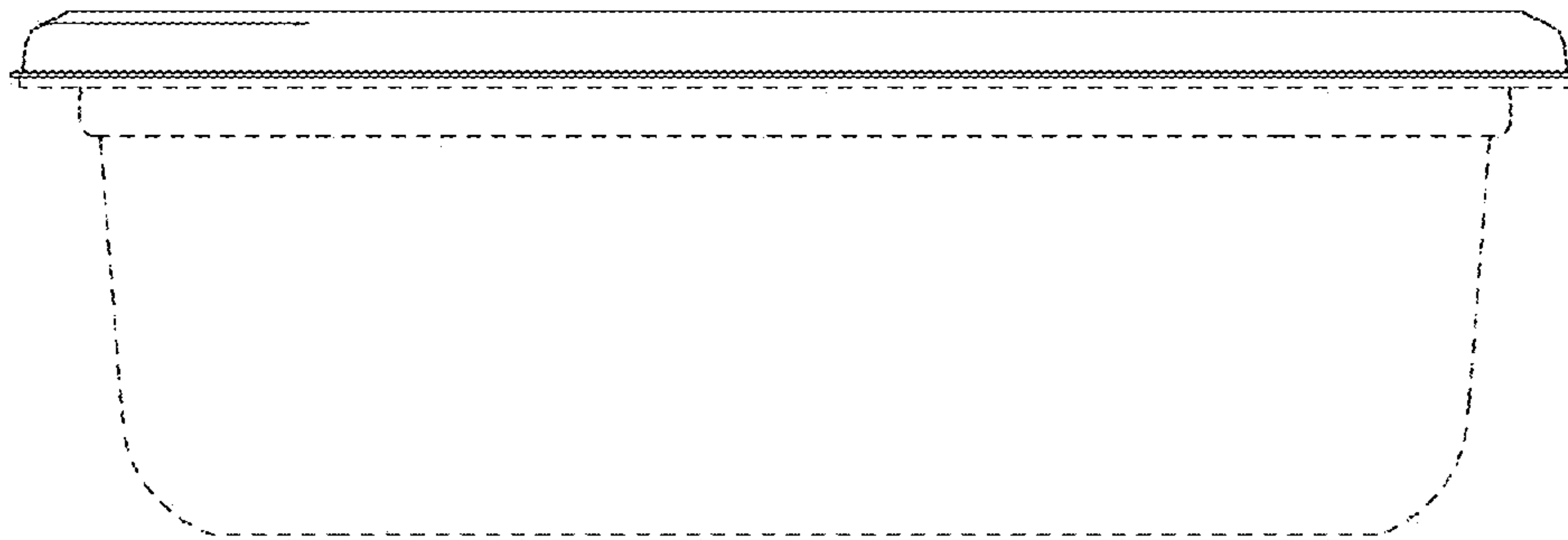


FIG. 4

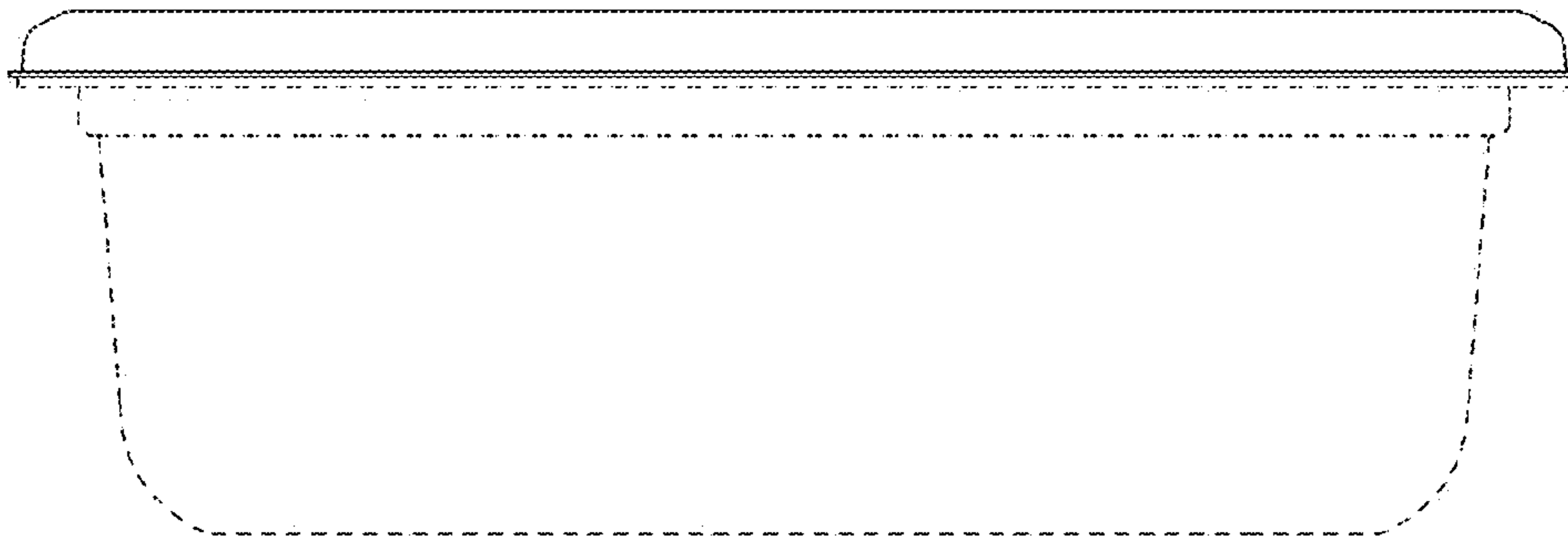


FIG. 5

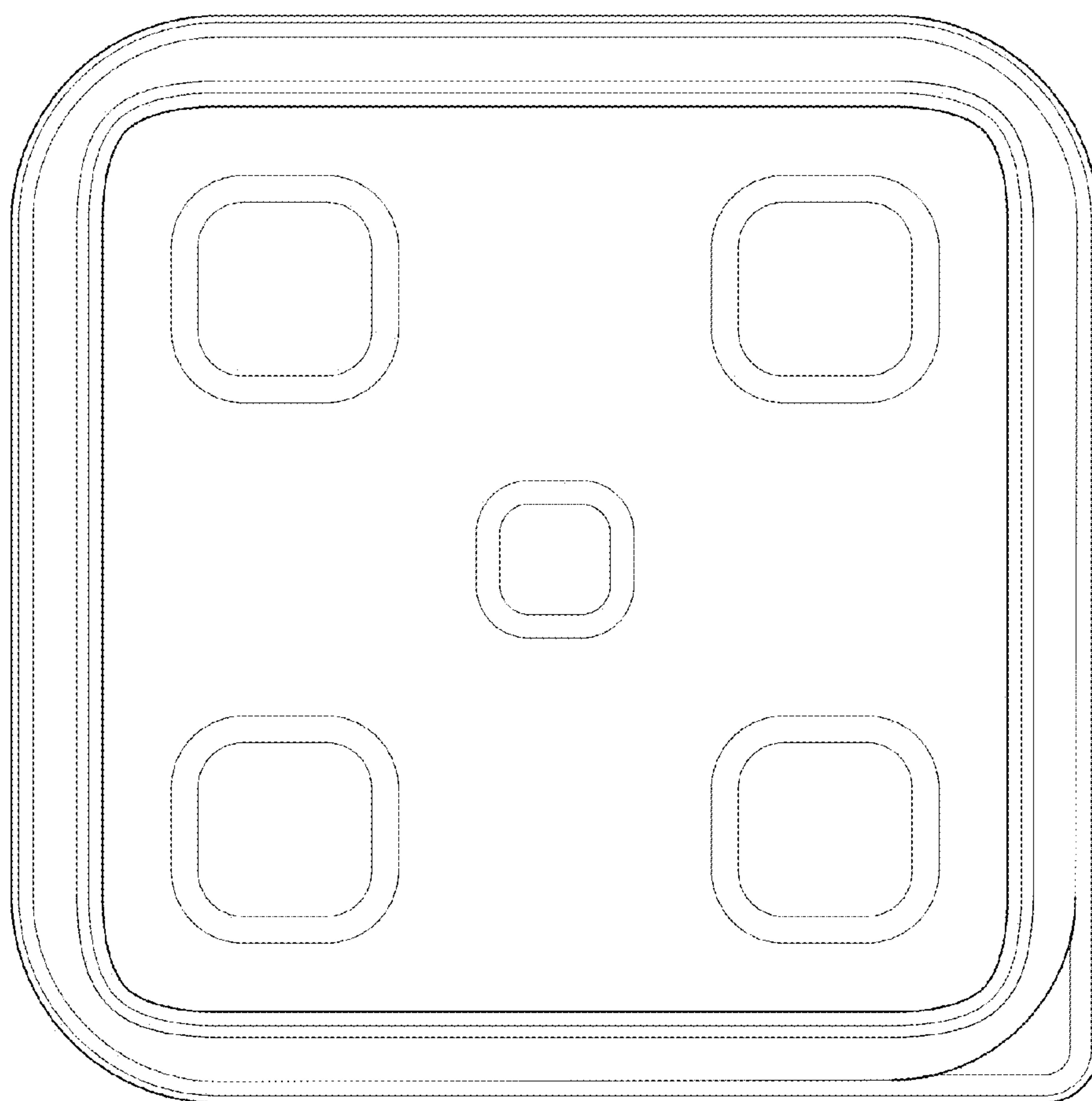


FIG. 6

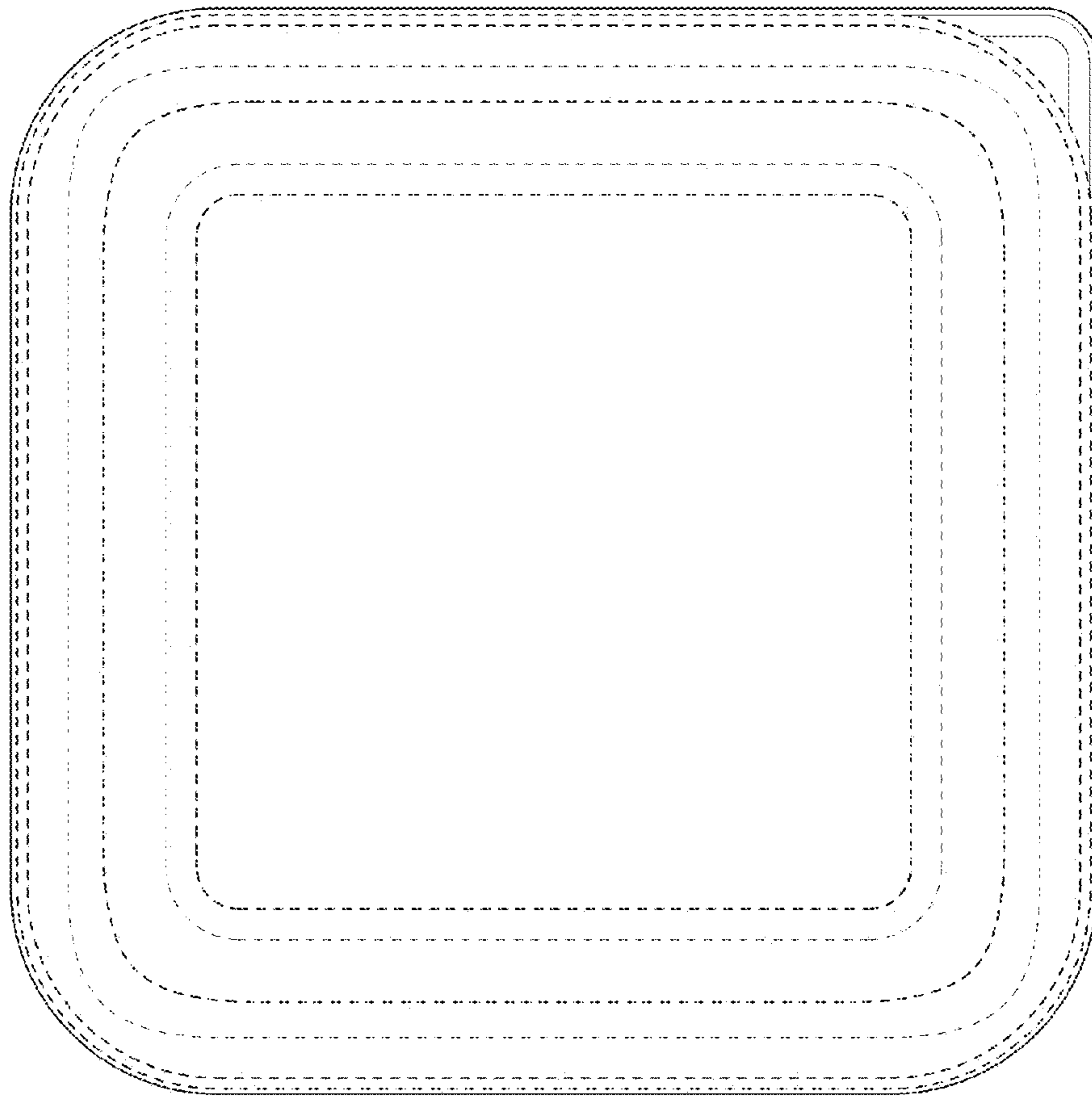


FIG. 7

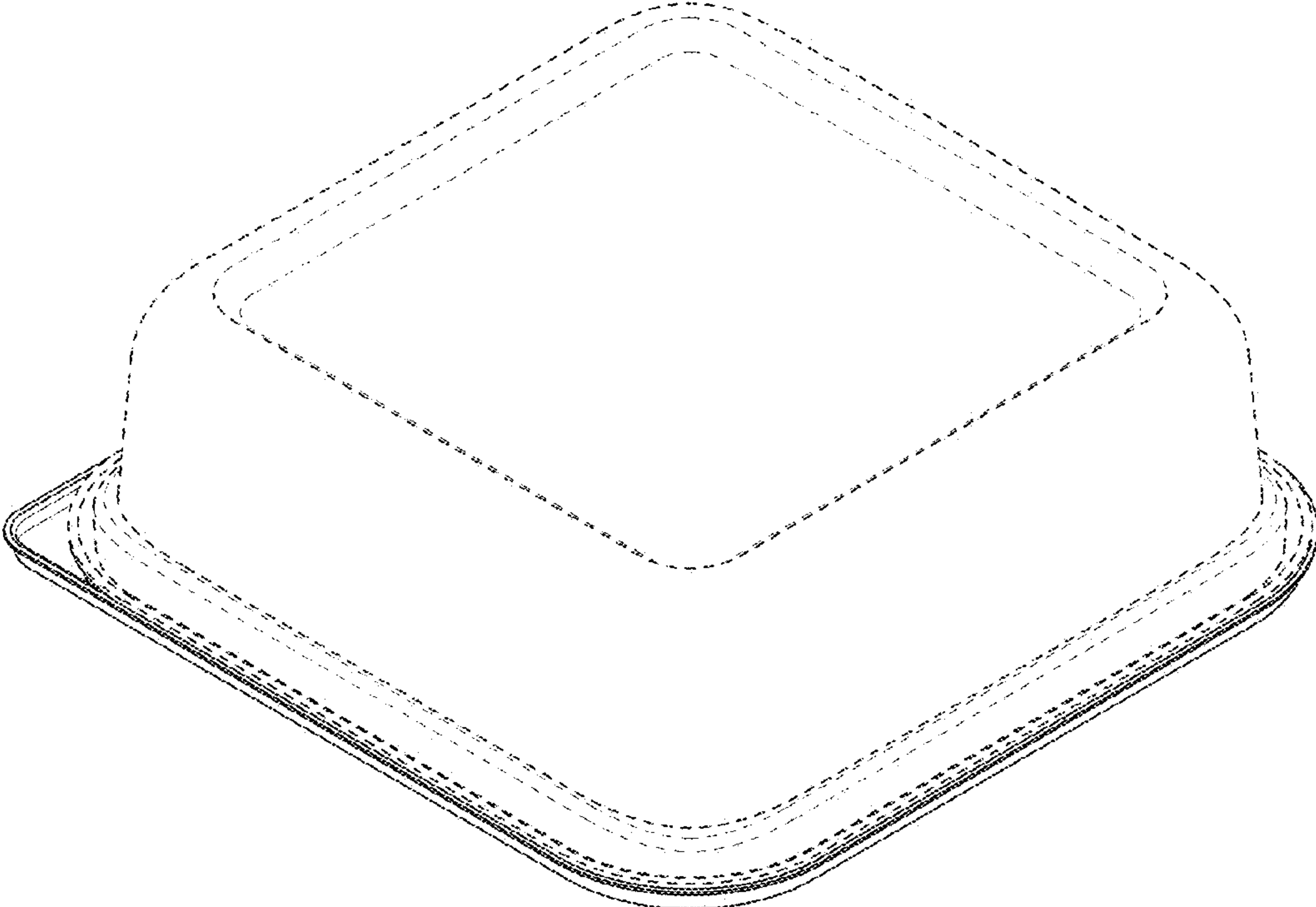


FIG. 8