



US00D723863S

(12) **United States Design Patent**
Arnold et al.

(10) **Patent No.:** **US D723,863 S**
(45) **Date of Patent:** **** Mar. 10, 2015**

- (54) **MUG LID**
- (71) Applicants: **Kent M. Arnold**, Cincinnati, OH (US);
Troy Cooksey, Cincinnati, OH (US);
Bradley M. Ruff, Bowling Green, OH (US)
- (72) Inventors: **Kent M. Arnold**, Cincinnati, OH (US);
Troy Cooksey, Cincinnati, OH (US);
Bradley M. Ruff, Bowling Green, OH (US)

2,538,684 A	1/1951	Gushard et al.
D202,511 S	10/1965	Ziskin
3,556,341 A	1/1971	Rains
3,642,122 A	2/1972	Von Ende
3,847,311 A	11/1974	Flores et al.
3,964,631 A *	6/1976	Albert 220/715
3,972,443 A	8/1976	Albert
4,040,549 A	8/1977	Sadler
4,163,374 A	8/1979	Moore et al.
4,276,992 A	7/1981	Susich

(Continued)

FOREIGN PATENT DOCUMENTS

WO PCT/US11/50814 9/2011

OTHER PUBLICATIONS

U.S. Appl. No. 13/227,914, filed Sep. 8, 2011, Arnold, et al.

(Continued)

Primary Examiner — George D Kirschbaum

Assistant Examiner — Kendra L Hamilton

(74) *Attorney, Agent, or Firm* — Hasse & Nesbitt LLC; W. Charles Ehlers; Daniel F Nesbitt

- (73) Assignee: **Broodle Brands, LLC**, Cincinnati, OH (US)

(**) Term: **14 Years**

(21) Appl. No.: **29/464,590**

(22) Filed: **Aug. 19, 2013**

Related U.S. Application Data

- (62) Division of application No. 29/412,988, filed on Feb. 9, 2012, now Pat. No. Des. 688,092.

(51) **LOC (10) Cl.** **07-02**

(52) **U.S. Cl.**
USPC **D7/392**; D9/449

(58) **Field of Classification Search**
USPC D7/300, 300.1, 391, 392, 392.1, 396.2,
D7/509-511, 523, 608, 900; D9/443, 446,
D9/447, 449, 450, 453, 454, 505;
215/11.6, 44, 224, 229, 306, 311;
220/3.75, 23.83, 212.5, 292, 714, 705;
222/83, 420, 450, 530, 543

See application file for complete search history.

(56) **References Cited**

U.S. PATENT DOCUMENTS

2,154,346 A	4/1939	Mills
2,187,927 A	1/1940	Ayotte
2,272,867 A	2/1942	Cobel
D155,439 S	10/1949	Muller-Munk

(57) **CLAIM**

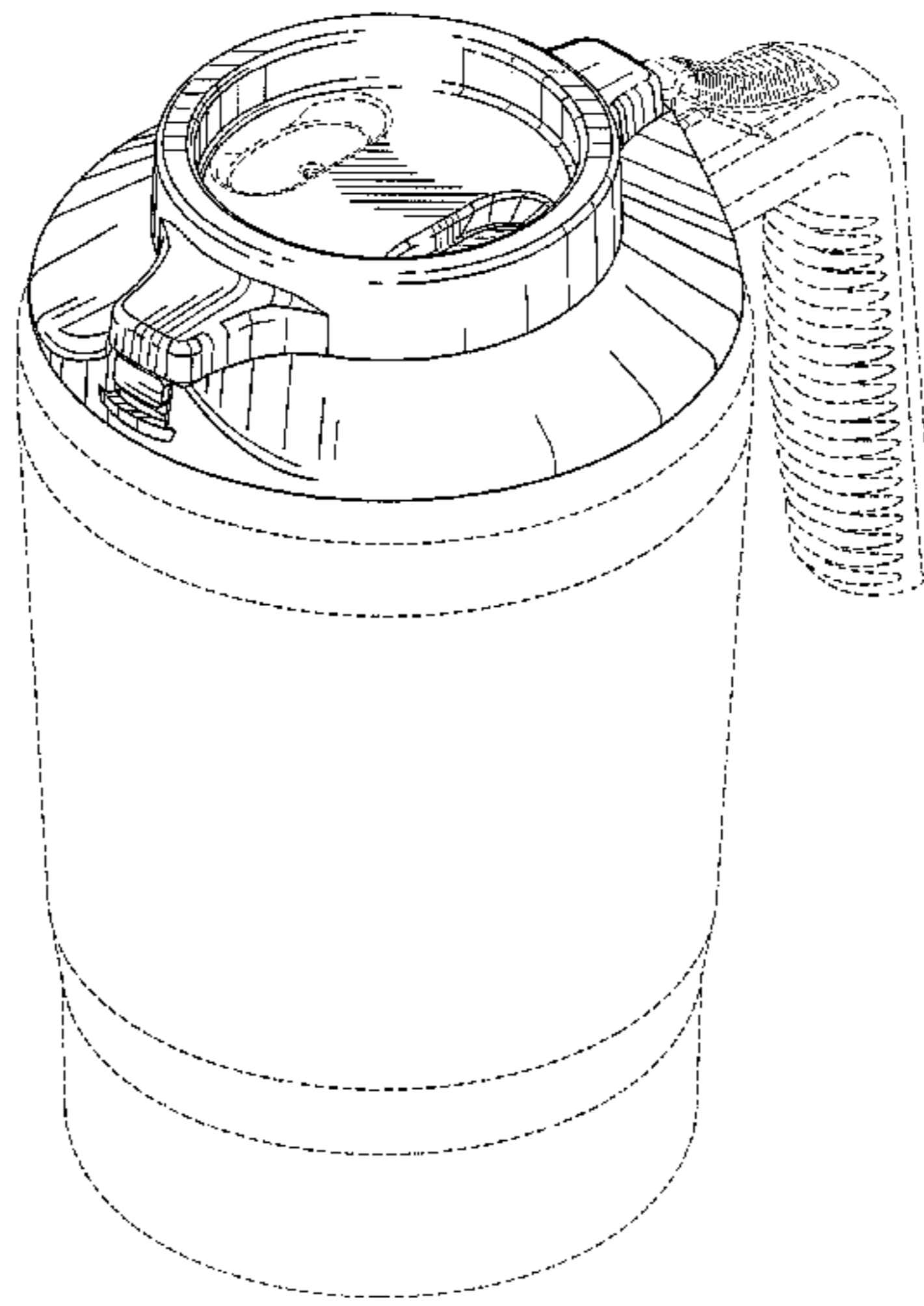
We claim the ornamental design for a mug lid, as shown and described.

DESCRIPTION

FIG. 1 is a perspective view of the mug lid;
FIG. 2 is a right side elevation thereof;
FIG. 3 is a front elevation view thereof;
FIG. 4 is a left side elevation view thereof;
FIG. 5 is a back elevation view thereof;
FIG. 6 is a top view thereof; and,
FIG. 7 is a bottom view thereof.

The broken line showing of a portion of the mug lid illustrates a portion of the mug lid which forms no part of the claimed design. The broken line showing of the mug illustrates environmental structure and forms no part of the claimed design.

1 Claim, 7 Drawing Sheets



(56)

References Cited

U.S. PATENT DOCUMENTS

4,303,173 A 12/1981 Nergard
 D264,926 S 6/1982 McClelland
 4,561,563 A 12/1985 Woods
 4,615,463 A 10/1986 Price et al.
 4,699,282 A 10/1987 Farrar
 4,974,741 A 12/1990 Gustafson et al.
 4,989,811 A 2/1991 Millis et al.
 5,009,413 A 4/1991 Allen
 5,036,993 A 8/1991 Ramsey
 5,067,329 A 11/1991 Tomlinson
 5,148,936 A * 9/1992 DeGrow 220/254.3
 5,169,016 A 12/1992 Hinz, Jr.
 5,186,350 A 2/1993 McBride
 5,222,623 A 6/1993 Eger et al.
 D339,023 S * 9/1993 De Coster D7/318
 5,249,703 A 10/1993 Karp
 5,294,014 A * 3/1994 Wyatt et al. 220/253
 5,307,950 A 5/1994 Li
 5,465,891 A 11/1995 Bridges
 5,477,980 A 12/1995 Chaffin
 5,533,700 A 7/1996 Porter
 5,653,124 A 8/1997 Weber
 D388,489 S 12/1997 Sikorski
 D388,490 S 12/1997 Sikorski
 D392,845 S * 3/1998 Lown et al. D7/615
 5,740,940 A 4/1998 Weiss
 D396,383 S 7/1998 Hanson
 5,794,771 A * 8/1998 Krawec et al. 206/223
 D398,815 S 9/1998 Hatsumoto et al.
 5,839,596 A 11/1998 Zahn et al.
 D412,373 S * 7/1999 Krawec et al. D27/190
 5,918,761 A 7/1999 Wissinger
 5,921,425 A 7/1999 Markey
 D417,714 S 12/1999 Yeung
 6,098,834 A * 8/2000 Hatsumoto et al. 220/715
 6,155,452 A 12/2000 Laurent
 D448,995 S * 10/2001 McDonald D9/449
 6,305,656 B1 10/2001 Wemyss
 6,352,166 B1 3/2002 Copeland
 6,398,179 B1 6/2002 Soles
 D462,875 S 9/2002 Norris et al.
 6,557,717 B1 5/2003 Keck
 6,616,493 B2 9/2003 Powell et al.
 6,626,326 B2 9/2003 Murakami
 D481,591 S 11/2003 Lin
 D482,933 S 12/2003 Norris et al.
 D483,615 S 12/2003 Norris et al.
 6,763,964 B1 7/2004 Hurlbut et al.

6,790,112 B2 9/2004 Kirk
 6,817,280 B2 11/2004 Hall et al.
 D501,670 S 2/2005 Landi, Jr.
 6,872,117 B1 3/2005 Chen
 7,052,347 B2 5/2006 Goldmeier
 D526,159 S 8/2006 Schmidt
 D536,926 S 2/2007 Schreitmueller
 D543,790 S 6/2007 Szymanski
 D554,435 S 11/2007 Carreno et al.
 7,318,762 B2 1/2008 Goldmeier
 D562,623 S 2/2008 Nybakke
 D563,168 S 3/2008 Gibbons et al.
 7,513,380 B2 4/2009 Canedo
 7,516,931 B2 4/2009 Sarullo
 D593,790 S 6/2009 Lin
 7,614,516 B2 11/2009 Beggins
 D618,968 S 7/2010 Belden
 D621,208 S 8/2010 Gilbert et al.
 D621,449 S 8/2010 Wong
 D621,450 S 8/2010 Wong
 D621,451 S 8/2010 Wong
 D621,452 S 8/2010 Wong
 D623,011 S 9/2010 Gilbert et al.
 D657,633 S 4/2012 Butler
 D661,581 S * 6/2012 Kallenbach et al. D9/449
 D677,118 S 3/2013 Rosenfeld
 8,393,487 B1 * 3/2013 Pillers et al. 220/253
 D686,883 S 7/2013 Arnold et al.
 D688,092 S 8/2013 Arnold et al.
 D688,094 S 8/2013 Arnold et al.
 D690,988 S * 10/2013 Audette D7/392.1
 2005/0006386 A1 1/2005 Ronn et al.
 2006/0283859 A1 * 12/2006 Lu 220/253
 2009/0057324 A1 * 3/2009 Wang Wu 220/711
 2010/0102059 A1 4/2010 Ruse, Jr.
 2010/0108703 A1 5/2010 French

OTHER PUBLICATIONS

U.S. Appl. No. 13/369,926, filed Feb. 9, 2012, Arnold, et al.
 U.S. Appl. No. 29/412,993, filed Feb. 9, 2012, Arnold, et al.
 U.S. Appl. No. 13/841,093, filed Mar. 15, 2013, Arnold.
 U.S. Appl. No. 29/450,011, filed Mar. 15, 2013, Arnold.
 International Search Report and Written Opinion for corresponding International Application No. PCT/US2011/050814, dated Jun. 29, 2012 (8 pages).
 International Preliminary Report on Patentability for corresponding International Application No. PCT/US2011/050814, dated Mar. 28, 2013 (5 pages).

* cited by examiner

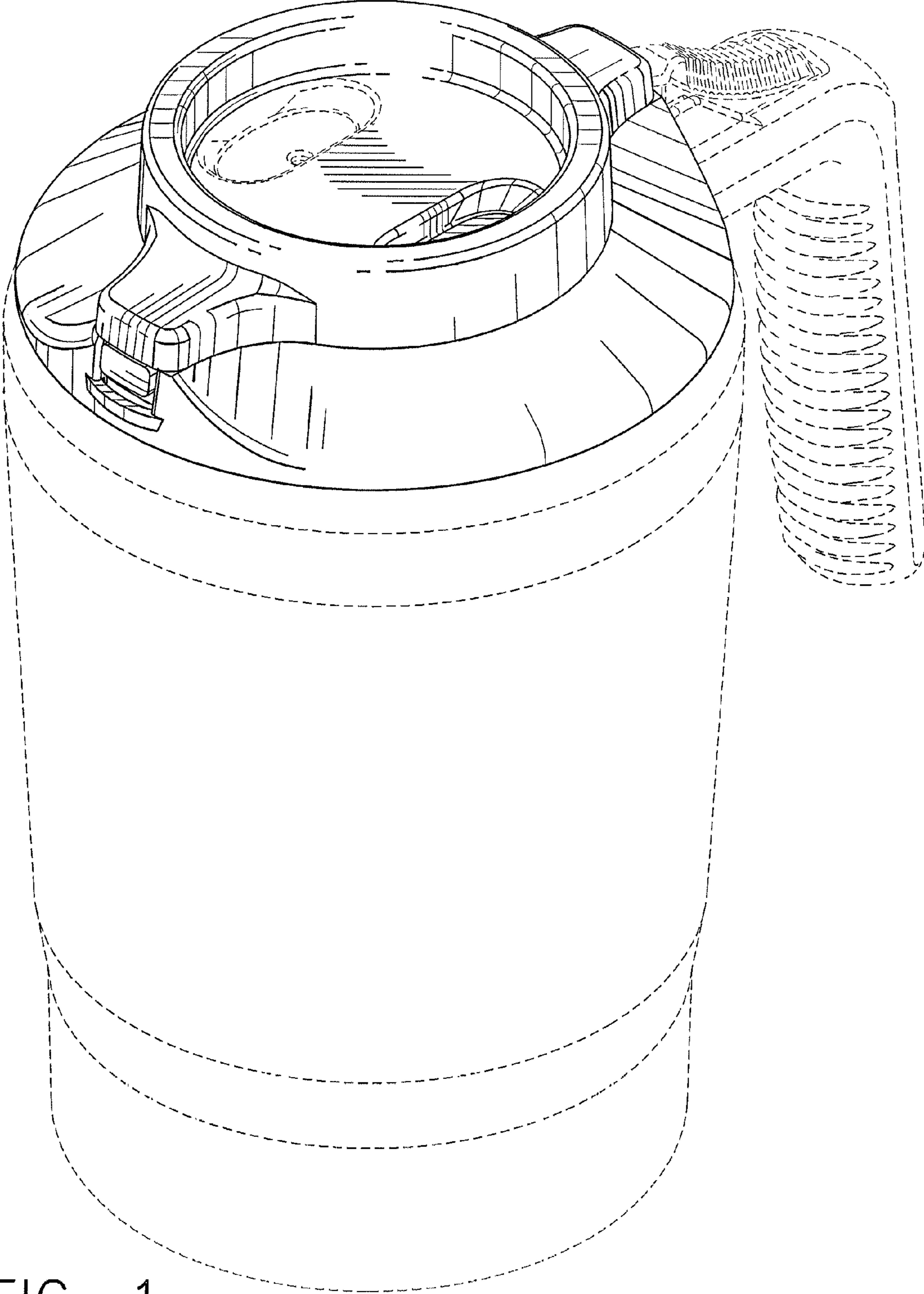


FIG. 1

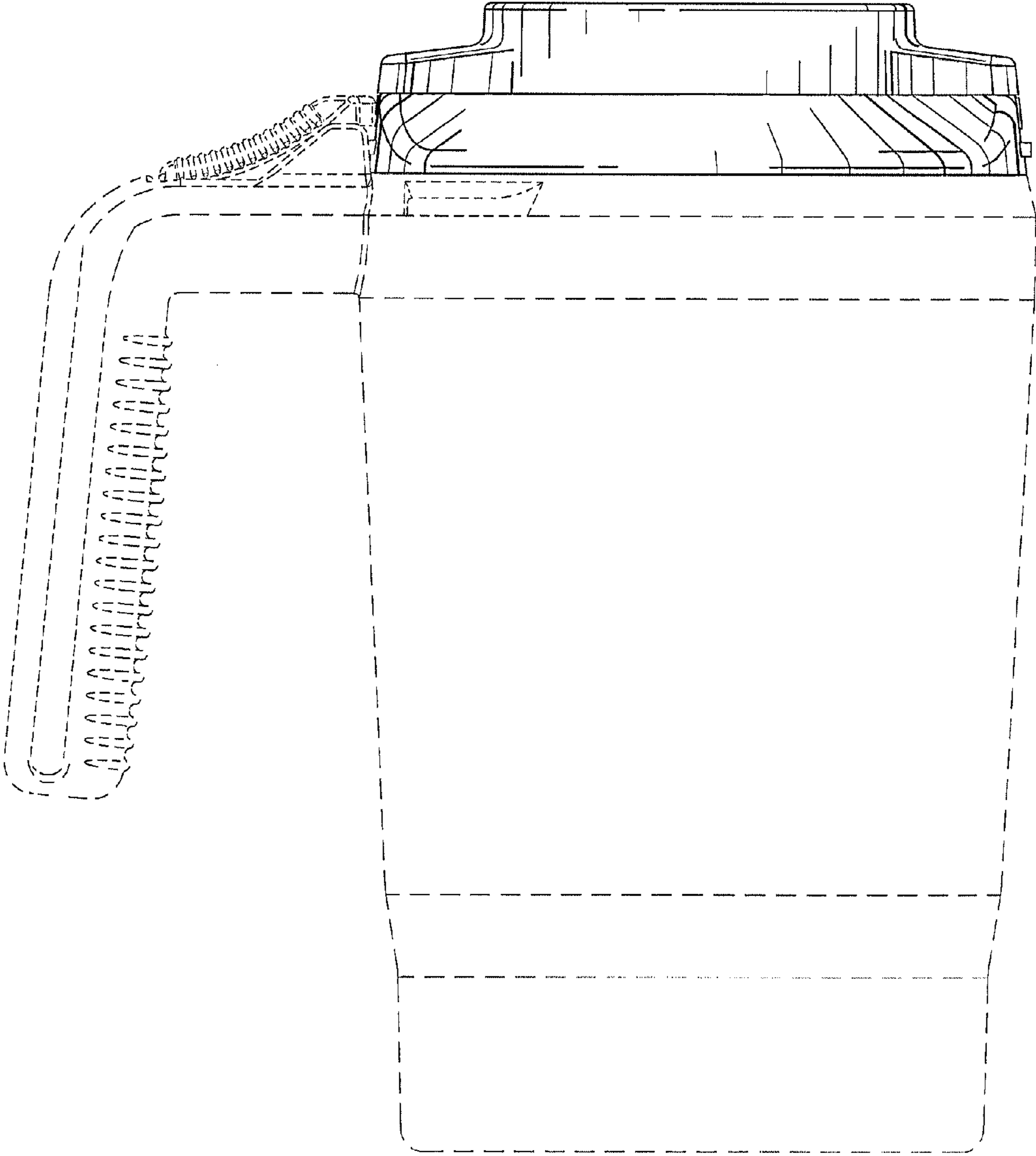


FIG. 2

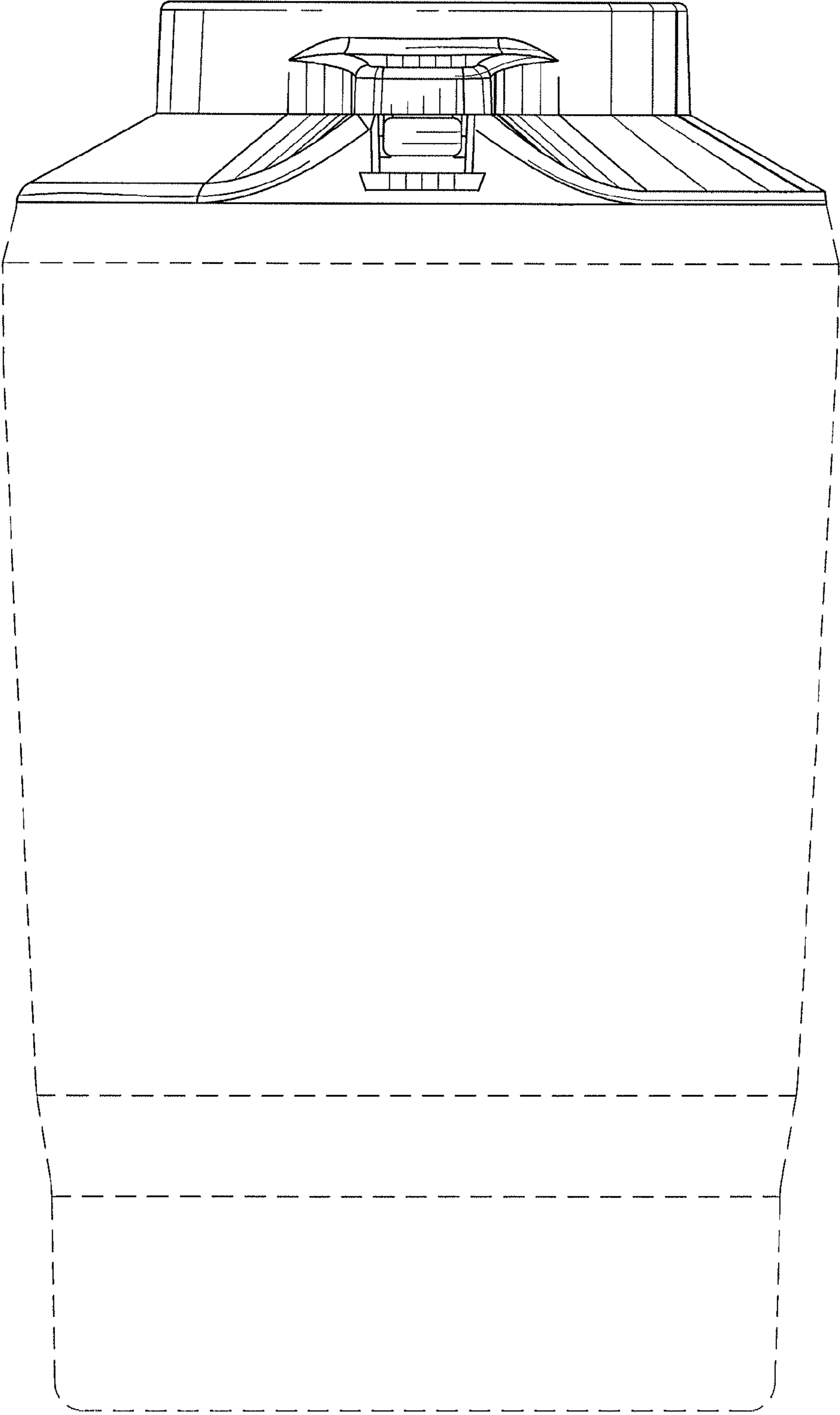


FIG. 3

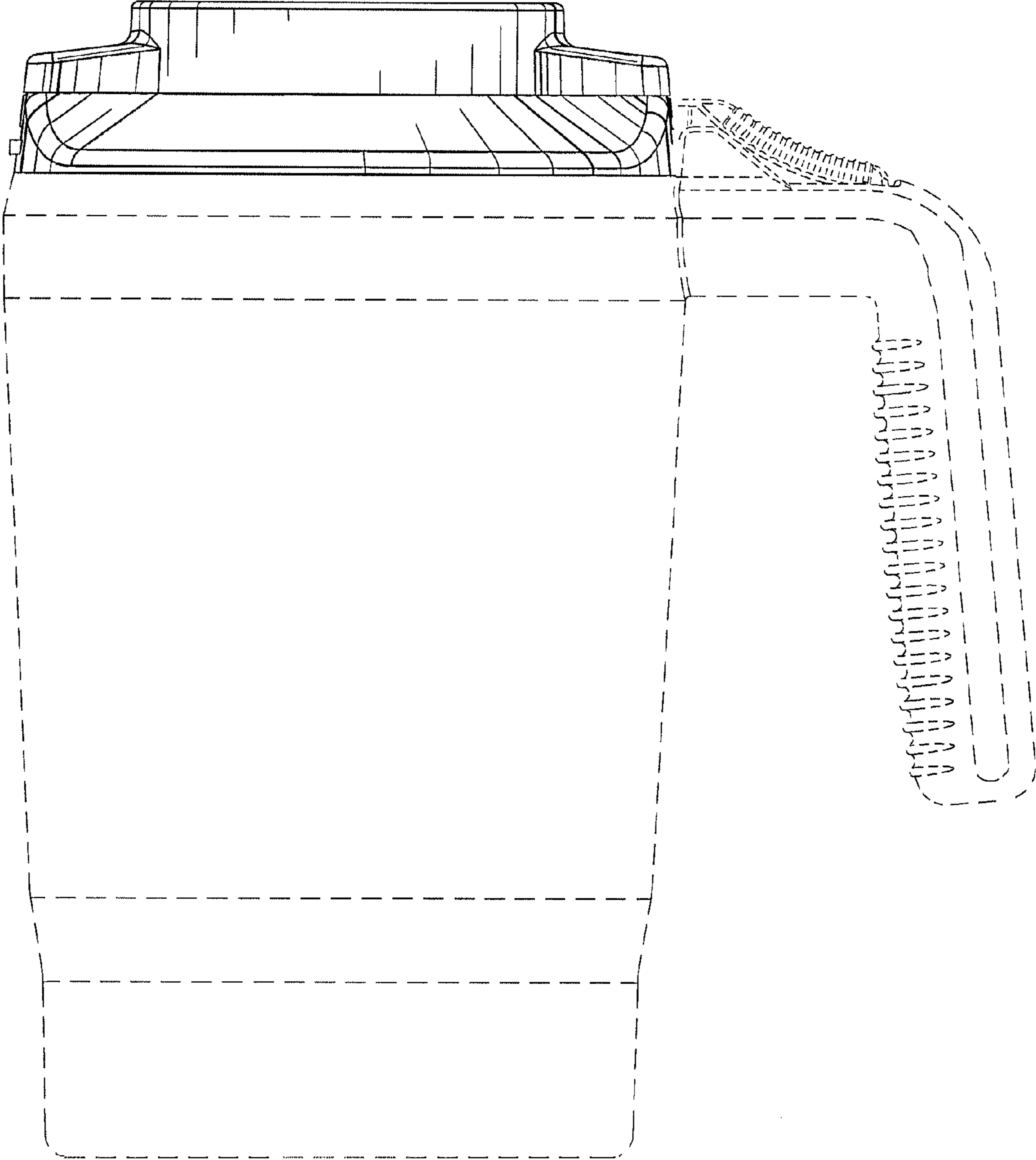


FIG. 4

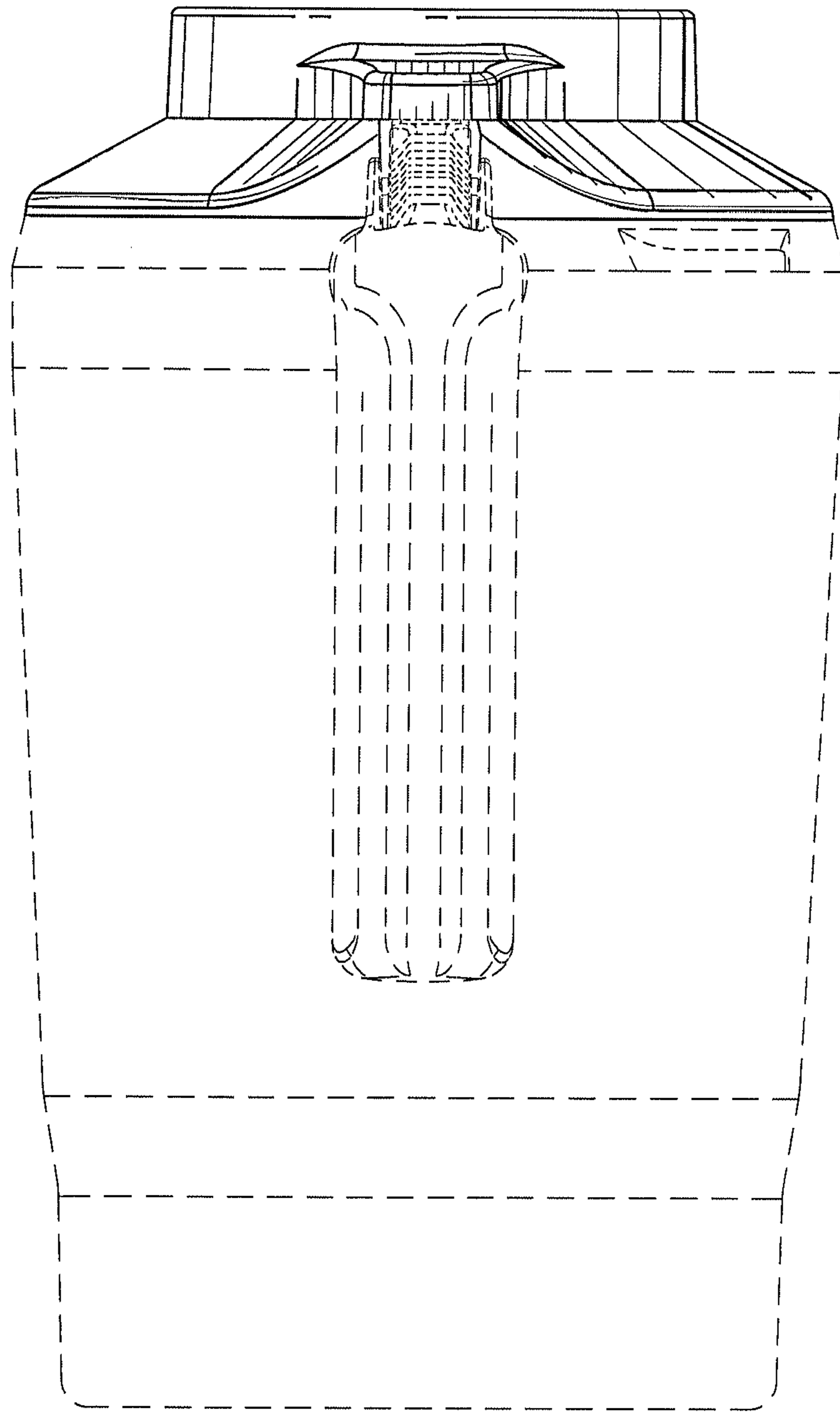


FIG. 5

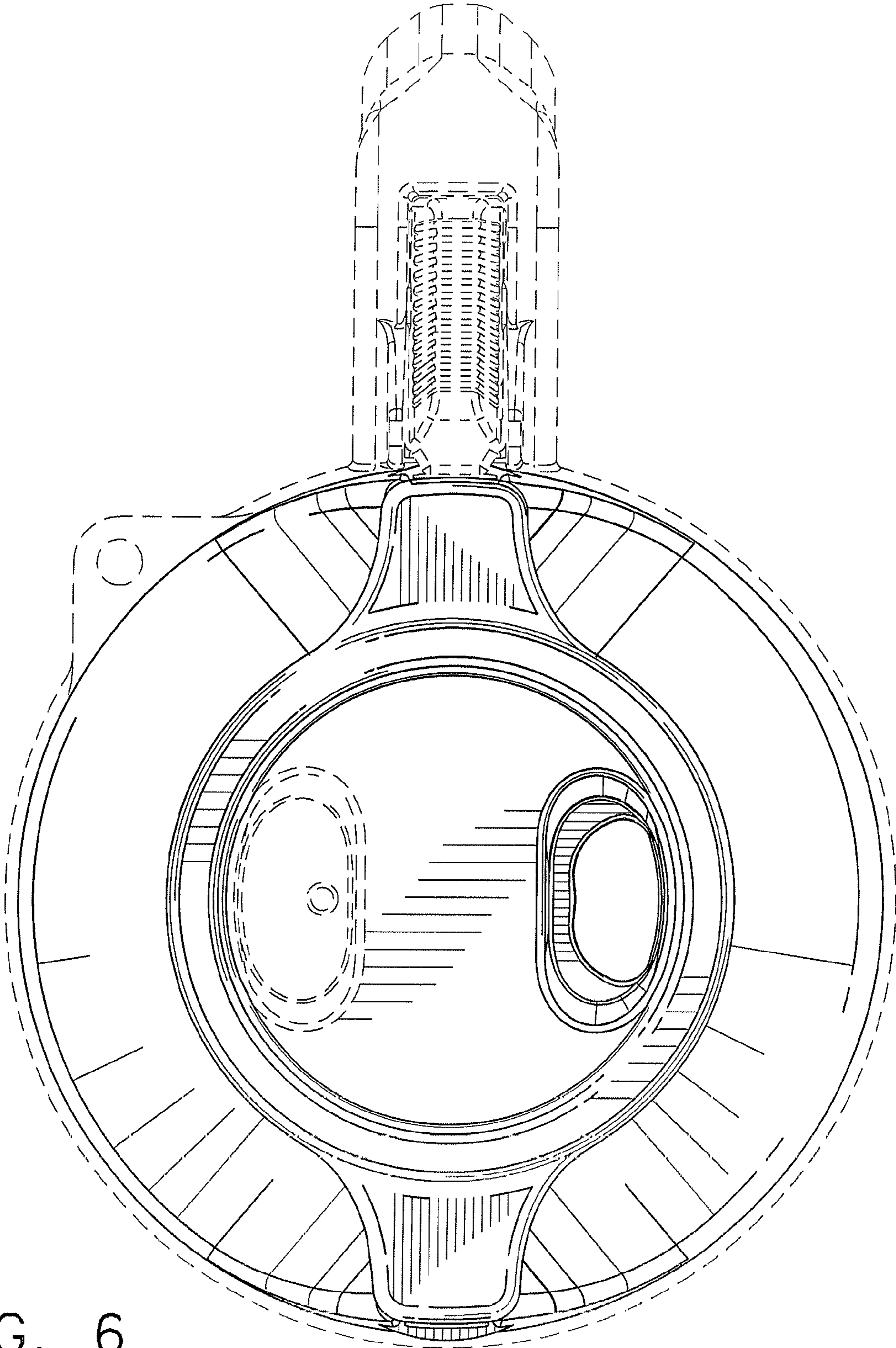


FIG. 6

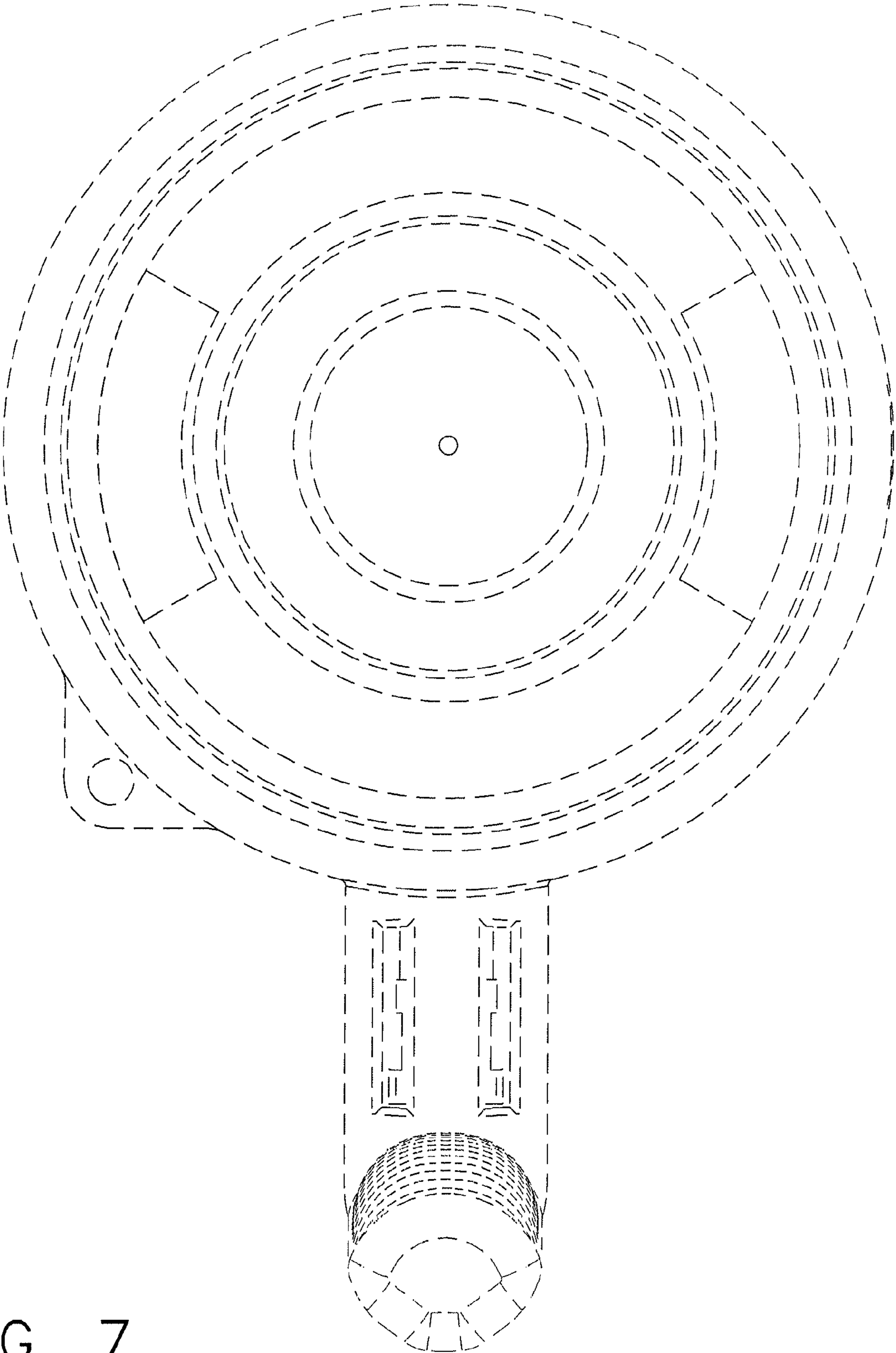


FIG. 7