

US00D723862S

(12) **United States Design Patent**
Landrum et al.

(10) **Patent No.:** **US D723,862 S**
(45) **Date of Patent:** **** Mar. 10, 2015**

- (54) **DRINKING STRAW PROTECTOR**
- (71) Applicants: **Rickey L. Landrum**, Shawnee, OK (US); **Shalah Suzan Black**, Shawnee, OK (US)
- (72) Inventors: **Rickey L. Landrum**, Shawnee, OK (US); **Shalah Suzan Black**, Shawnee, OK (US)
- (**) Term: **14 Years**
- (21) Appl. No.: **29/472,083**
- (22) Filed: **Nov. 8, 2013**
- (51) **LOC (10) Cl.** **07-99**
- (52) **U.S. Cl.**
USPC **D7/387; D7/300.2; D7/700; D7/213; D9/436**
- (58) **Field of Classification Search**
CPC A47G 21/18; A47G 19/2222; B43K 1/01
USPC D7/387, 388, 700, 900, 213, 300.2, 305, D7/392.1, 507, 510, 511, 392; D9/436, D9/434, 435, 715, 718, 716, 445; 215/389, 215/391, 387, 388, 228, 229; 239/16, 24, 239/33; 206/216; D24/122; 220/705
See application file for complete search history.

- (56) **References Cited**
U.S. PATENT DOCUMENTS

1,236,029	A	8/1917	Williams	
2,109,750	A *	3/1938	Paul	40/311
D272,793	S *	2/1984	Appel et al.	D7/510
D305,089	S *	12/1989	Thompson	D7/379
5,005,717	A	4/1991	Oilar	
D318,427	S	7/1991	Sherburne, Jr.	
5,048,709	A	9/1991	Alverson	
5,054,264	A	10/1991	Miller	
D324,824	S	3/1992	Hansen	
5,154,327	A	10/1992	Long	
D346,718	S *	5/1994	Timmermans	D7/392.1
5,653,353	A	8/1997	Otto et al.	
D402,166	S *	12/1998	Wallays	D7/669

- D408,283 S * 4/1999 Tucker D9/435
- 6,039,062 A 3/2000 Karakaedos
- D449,105 S * 10/2001 Azo D24/122
- 6,565,899 B1 5/2003 Cecere
- D494,809 S * 8/2004 Yerelien D7/396.2
- D499,180 S * 11/2004 Best D24/122
- D499,482 S * 12/2004 Gugliotta D24/122
- D511,455 S * 11/2005 Newell D9/436
- D527,101 S * 8/2006 Fernandez D24/122
- D536,968 S * 2/2007 Keller D9/439
- D563,720 S * 3/2008 Dai D7/387
- D577,435 S * 9/2008 Ivie et al. D24/122
- D592,505 S * 5/2009 Mobley et al. D9/436
- D602,156 S * 10/2009 Young D24/122
- D613,564 S * 4/2010 Goettler D7/624.2
- 7,717,291 B2 * 5/2010 Stuhmer 220/714
- 7,798,360 B2 * 9/2010 Roberts 220/710
- D637,444 S * 5/2011 Lipson D7/300.2

(Continued)

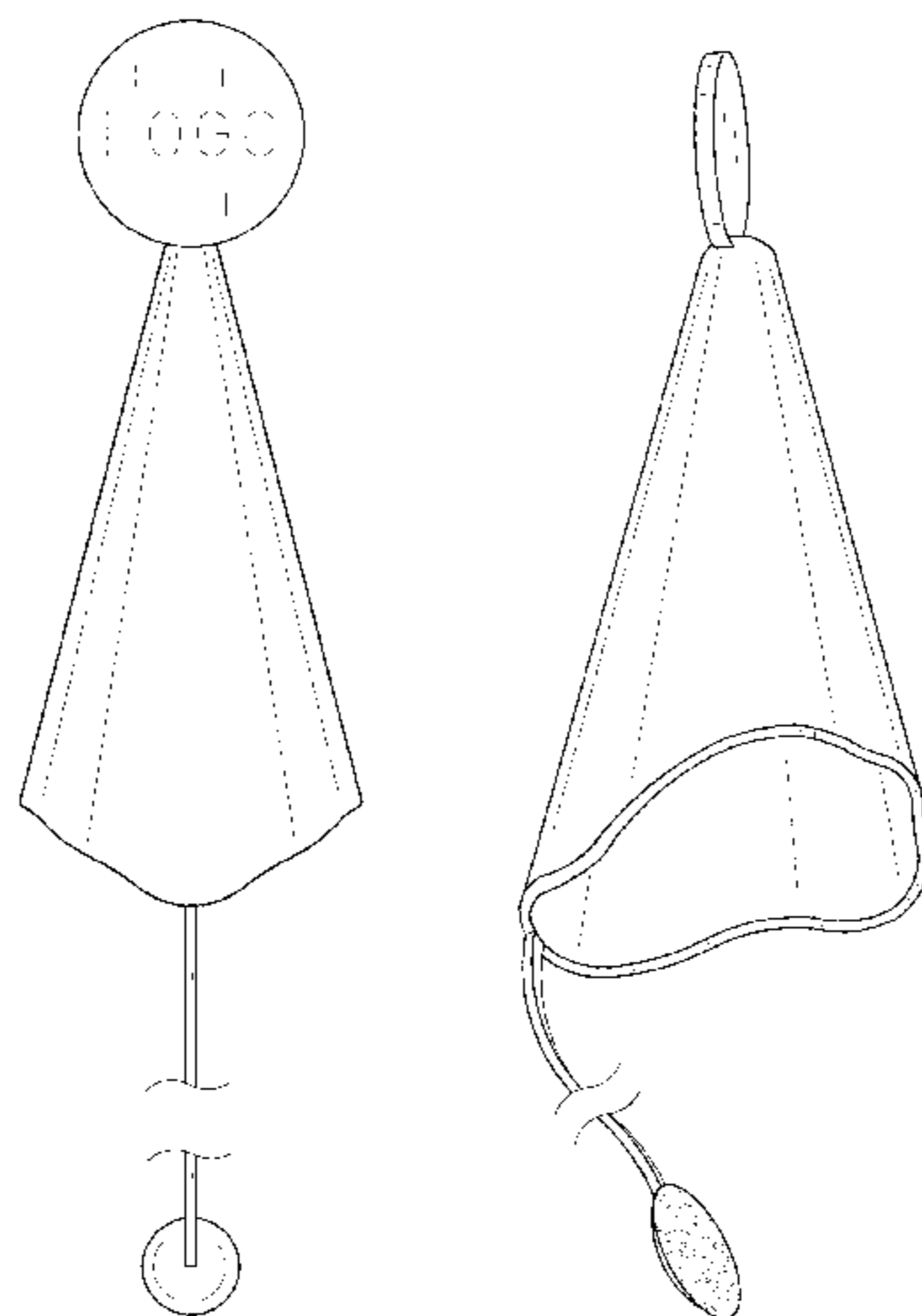
Primary Examiner — Marianne Pandozzi
Assistant Examiner — Jae Liang
(74) *Attorney, Agent, or Firm* — Crossley Patent Law

(57) **CLAIM**
The ornamental design for a drinking straw protector, as shown and described.

DESCRIPTION

FIG. 1 is a right side elevation view of a drinking straw protector showing my new design, the opposite side being a mirror image;
FIG. 2 is a front elevation view thereof;
FIG. 3 is a rear elevation view thereof;
FIG. 4 is a top plan view thereof;
FIG. 5 is a bottom plan view thereof; and,
FIG. 6 is an isometric view thereof.
The broken lines in FIGS. 2 and 3 of the drawings depict environmental subject matter only and form no part of the claimed design. A tether member of the drinking straw protector is shown in fragmentary form, portions thereof having been eliminated for ease of illustration.

1 Claim, 3 Drawing Sheets



(56)

References Cited

U.S. PATENT DOCUMENTS

8,459,492 B2 * 6/2013 Merino 220/705
D687,080 S * 7/2013 Carroll D15/150
D689,339 S * 9/2013 Bodechon D7/624.2
8,579,138 B2 * 11/2013 Jamison et al. 220/212.5

D703,811 S * 4/2014 Ludert et al. D24/122
D711,229 S * 8/2014 George D9/440
D716,908 S * 11/2014 Alesi et al. D23/200
2001/0006073 A1 7/2001 Patarra
2006/0144955 A1 * 7/2006 Farnsworth et al. 239/33
2008/0223818 A1 * 9/2008 Shafik 215/388

* cited by examiner

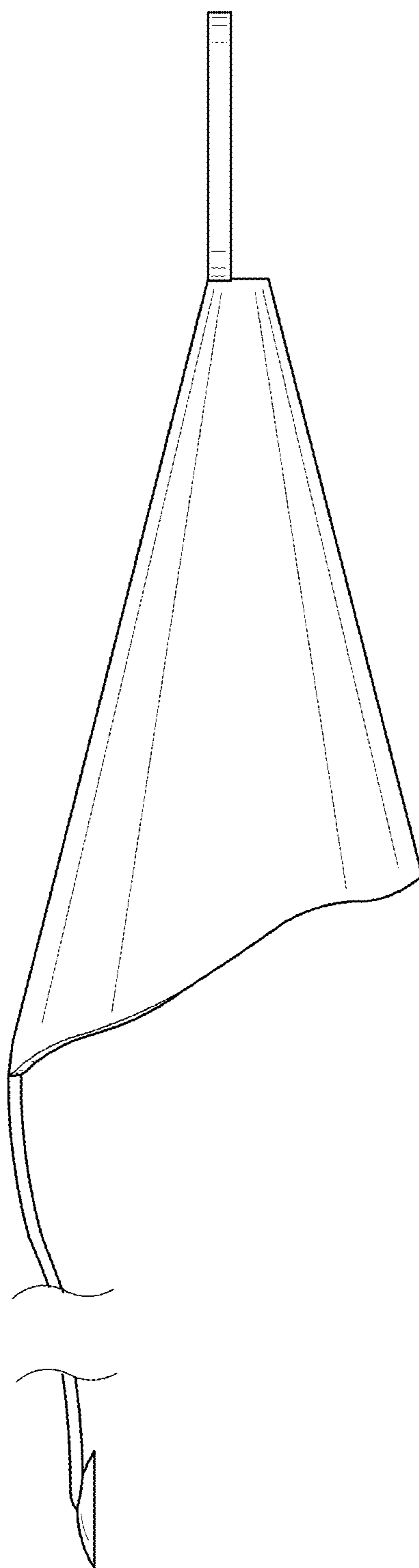


FIG. 1

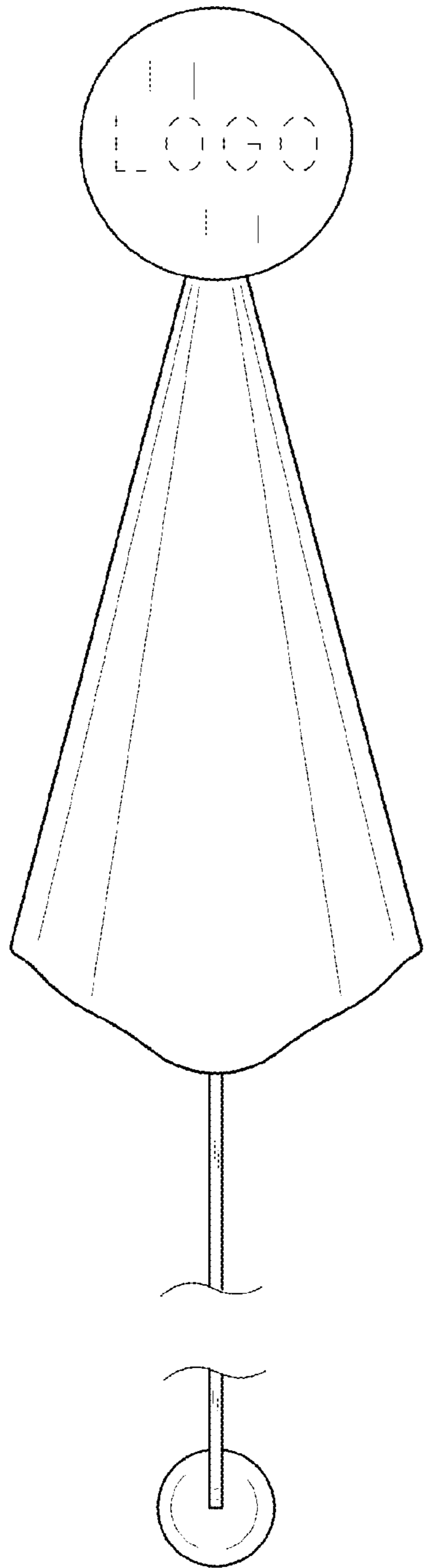


FIG. 2

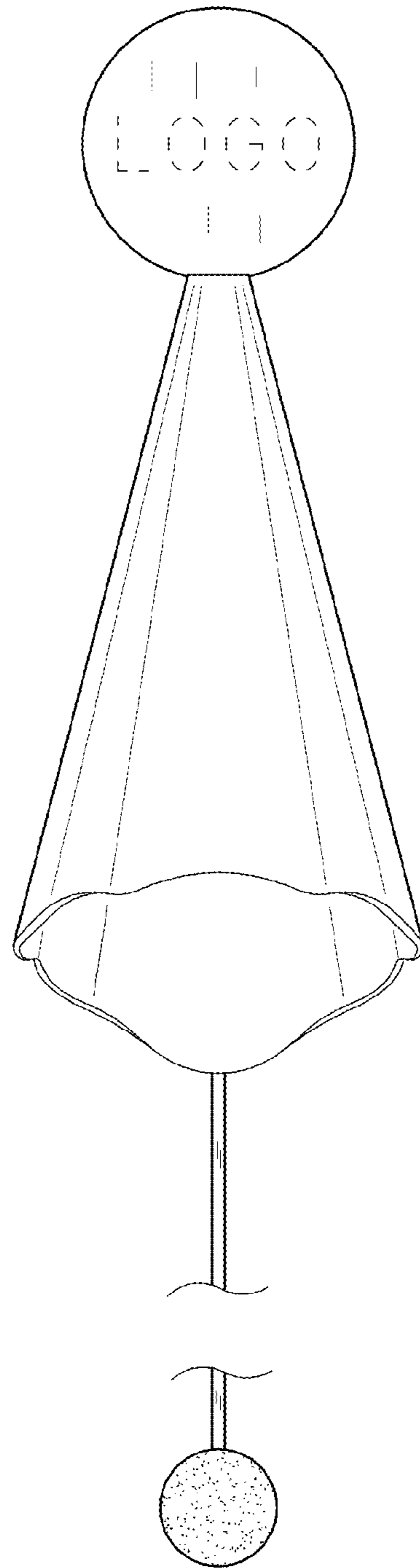


FIG. 3

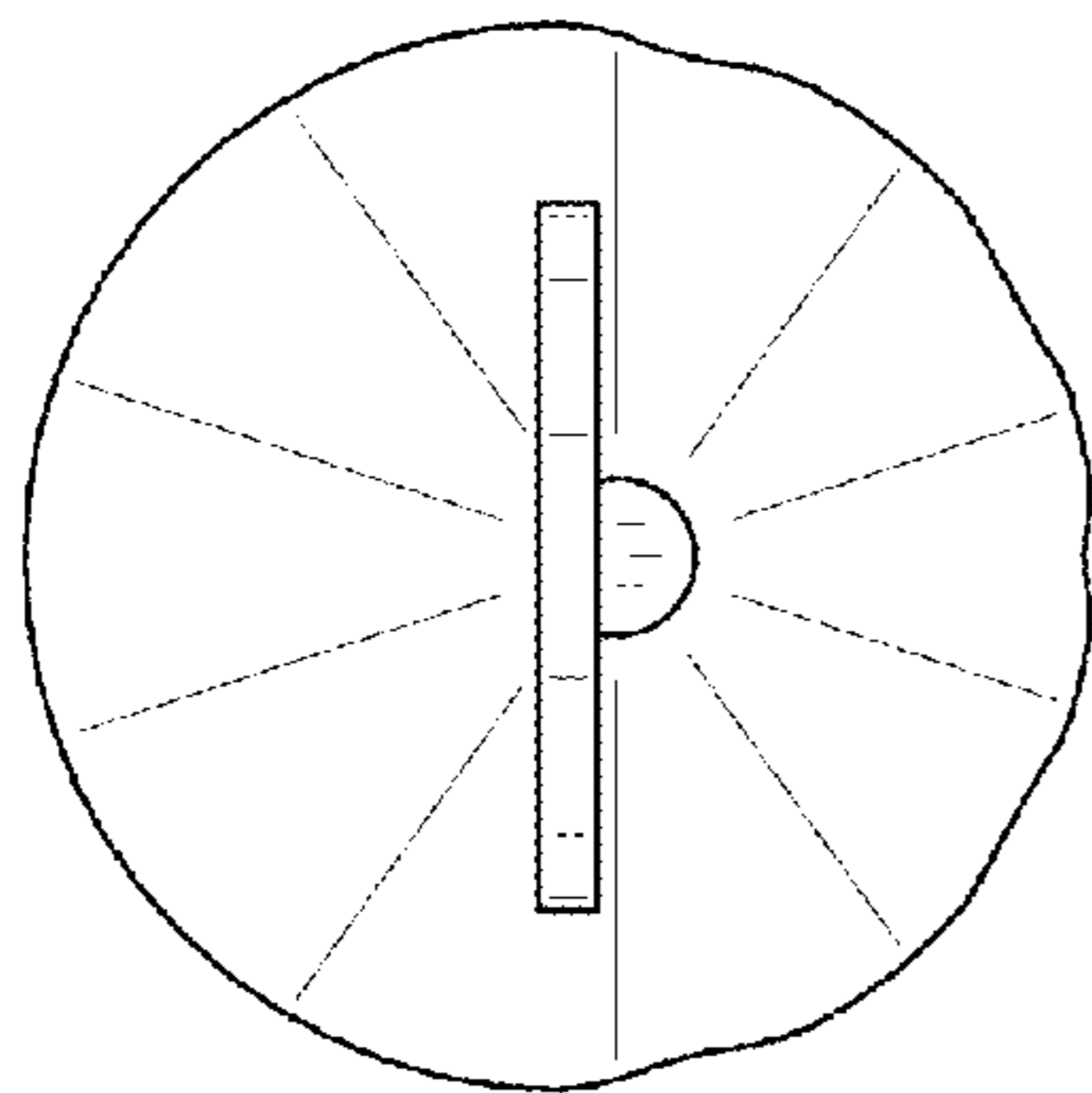


FIG. 4

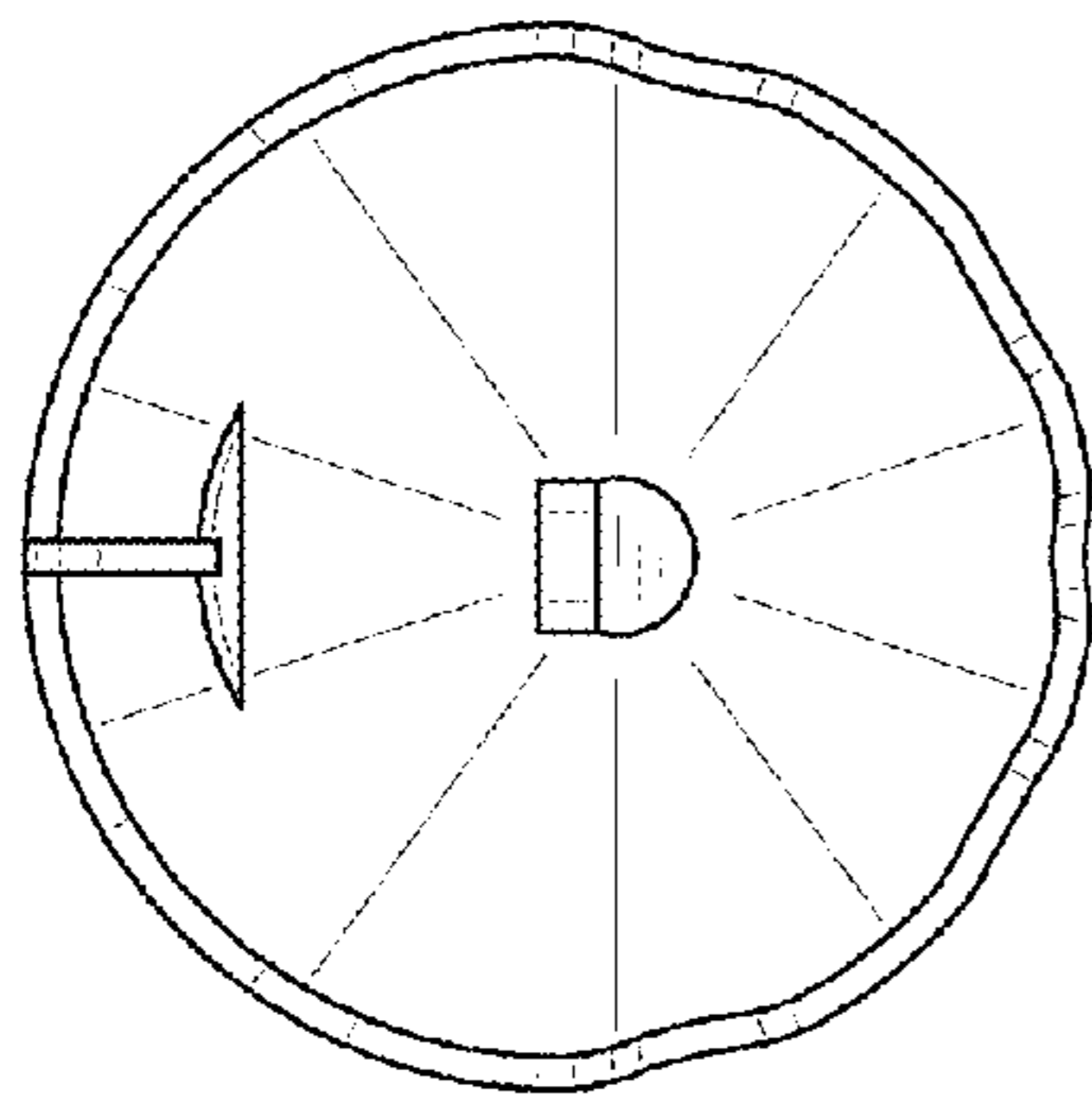


FIG. 5

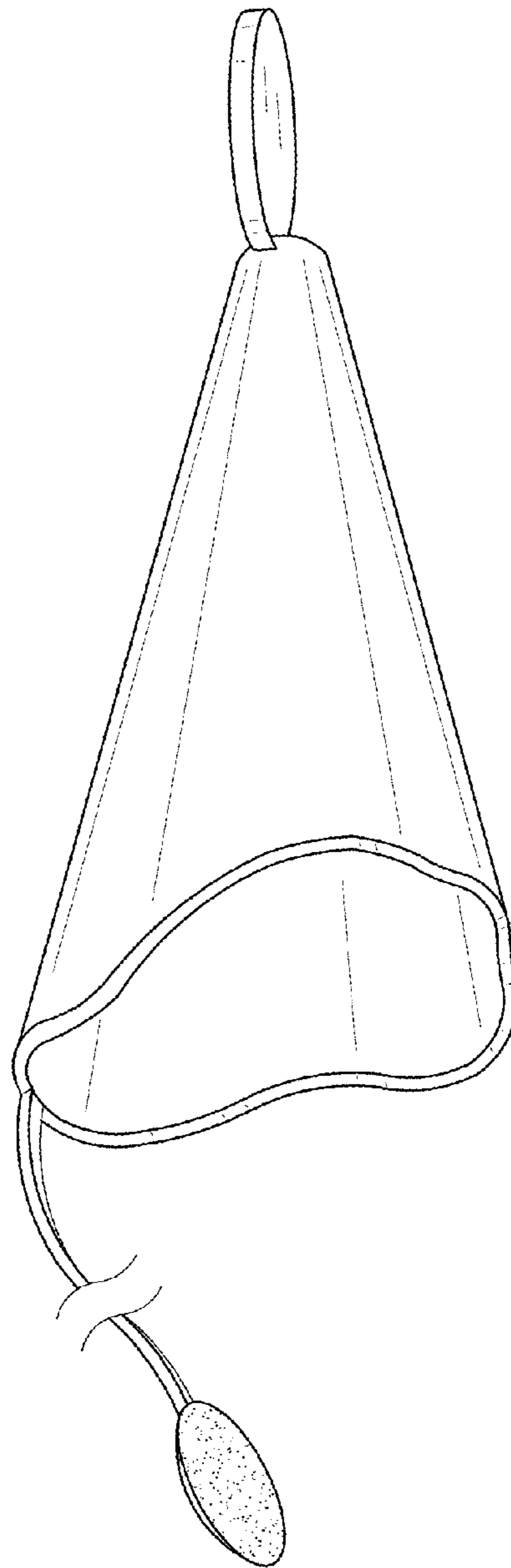


FIG. 6