



US00D723861S

(12) **United States Design Patent**  
**Solbjerg**

(10) **Patent No.:** **US D723,861 S**  
(45) **Date of Patent:** **\*\* Mar. 10, 2015**

(54) **GRILL**  
(75) Inventor: **Poul Solbjerg**, Solbjerg (DK)  
(73) Assignee: **Ideen APS**, Solbjerg (DE)  
(\*\*) Term: **14 Years**  
(21) Appl. No.: **29/333,034**  
(22) Filed: **Mar. 2, 2009**

(30) **Foreign Application Priority Data**

Aug. 29, 2008 (EM) ..... 000994066

(51) **LOC (10) Cl.** ..... **07-02**

(52) **U.S. Cl.**  
USPC ..... **D7/335**

(58) **Field of Classification Search**  
USPC ..... D7/332, 334-337, 402-404, 406-407;  
126/37 R, 25 R, 41 R, 41 C, 41 D, 41 E,  
126/9 R, 44, 50, 39 E, 91 A; 99/339, 340,  
99/450, 444; 431/354

See application file for complete search history.

(56) **References Cited**

**U.S. PATENT DOCUMENTS**

D142,417 S \* 9/1945 Jones ..... D7/332  
D185,280 S \* 1/1959 Greenblat ..... D7/337

D184,876 S \* 4/1959 Joseph ..... D7/332  
D187,095 S \* 1/1960 Joseph ..... D7/337  
D188,641 S \* 8/1960 Christenson et al. .... D7/332  
D277,541 S \* 2/1985 Espinda ..... D7/337  
D299,305 S \* 1/1989 Vollborn ..... D7/332  
D320,527 S \* 10/1991 Carroll ..... D7/332  
D330,991 S \* 11/1992 Christie ..... D7/335  
D340,613 S \* 10/1993 Kesling ..... D7/337  
D376,722 S \* 12/1996 Oftedal et al. .... D7/332

\* cited by examiner

*Primary Examiner* — Ruth McInroy

(74) *Attorney, Agent, or Firm* — Antonelli, Terry, Stout & Kraus, LLP.

(57) **CLAIM**

I claim the ornamental design for a grill, as shown and described.

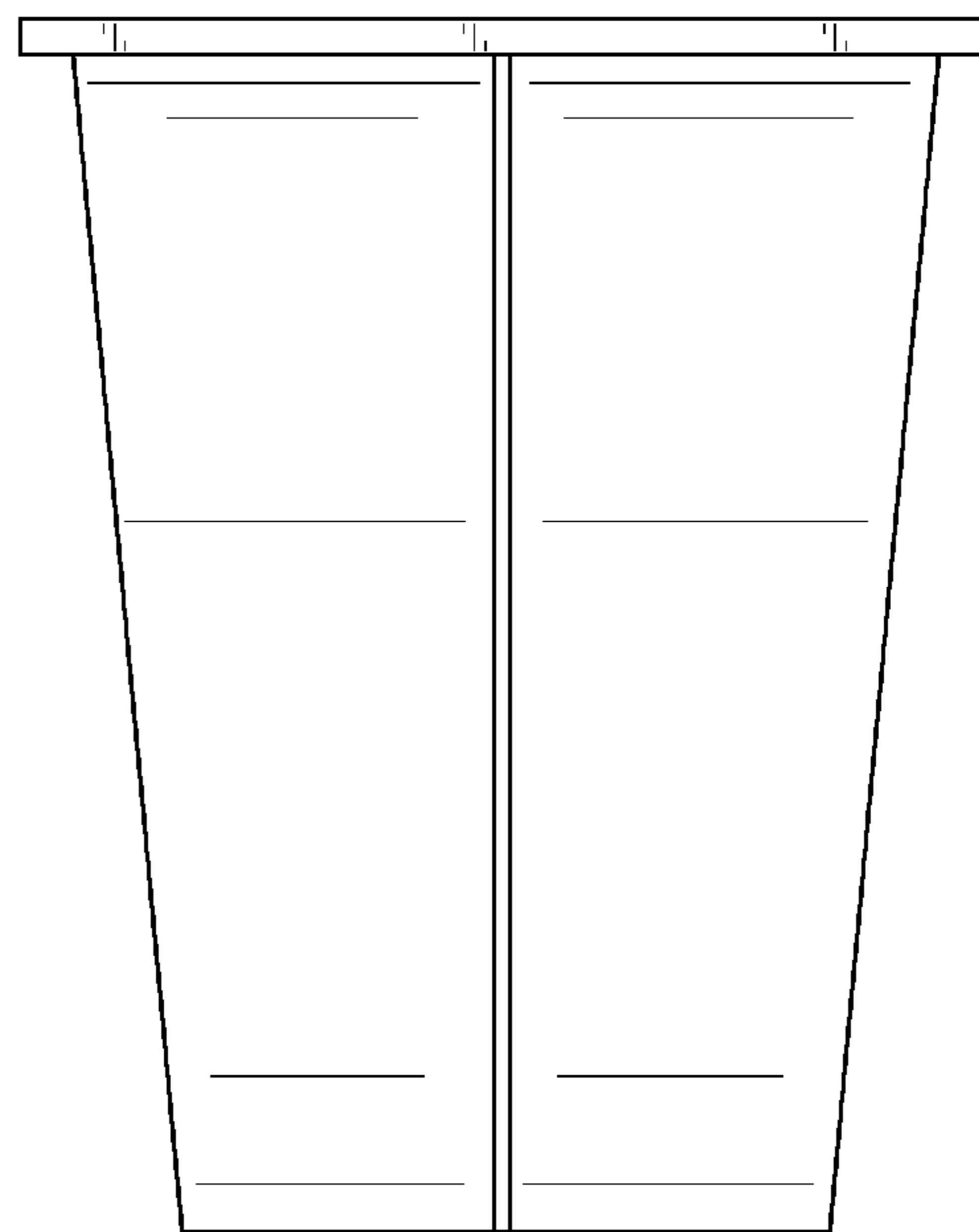
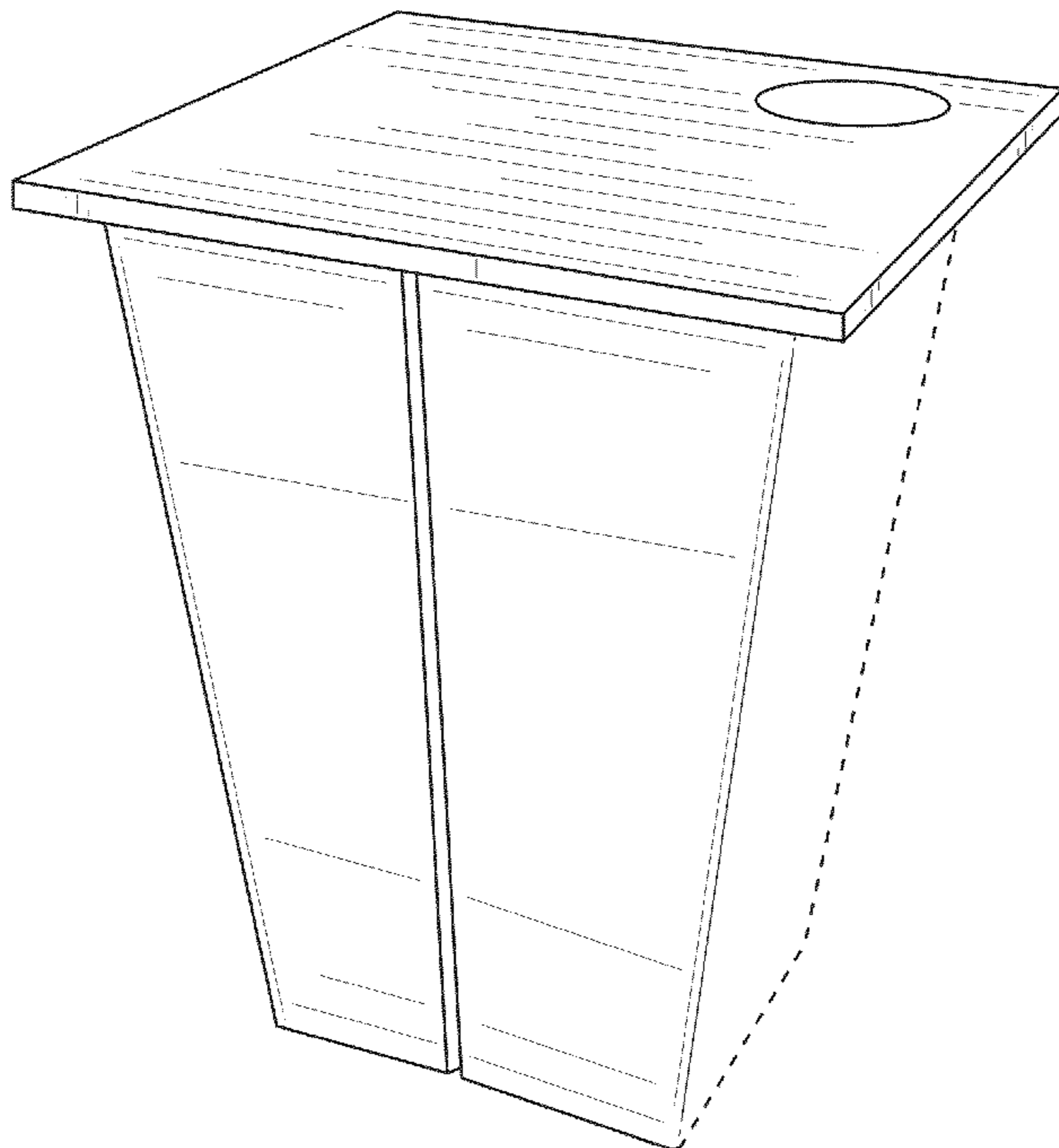
**DESCRIPTION**

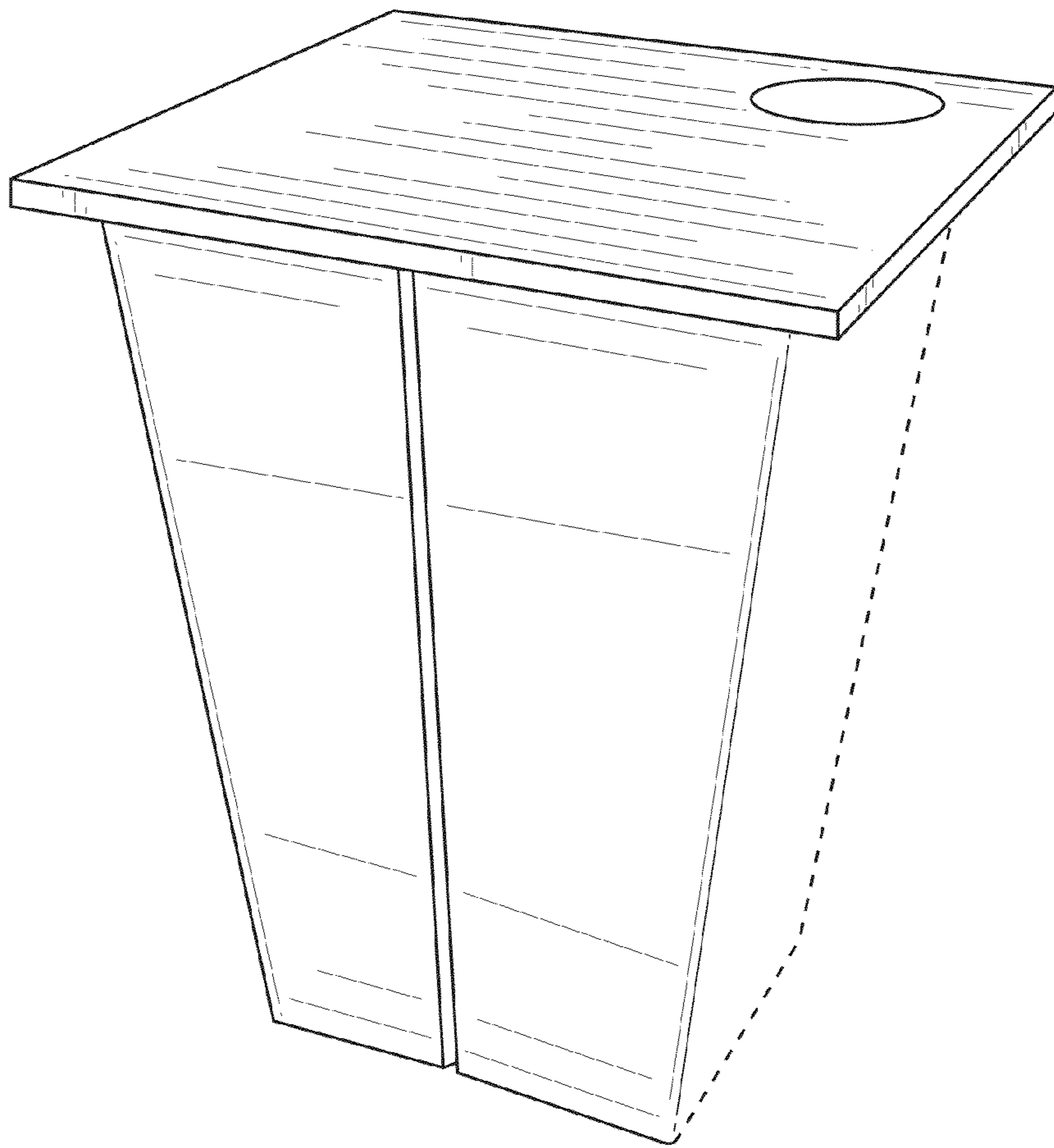
FIG. 1 is a top perspective view of a grill showing my new design; and,

FIG. 2 is a front view thereof.

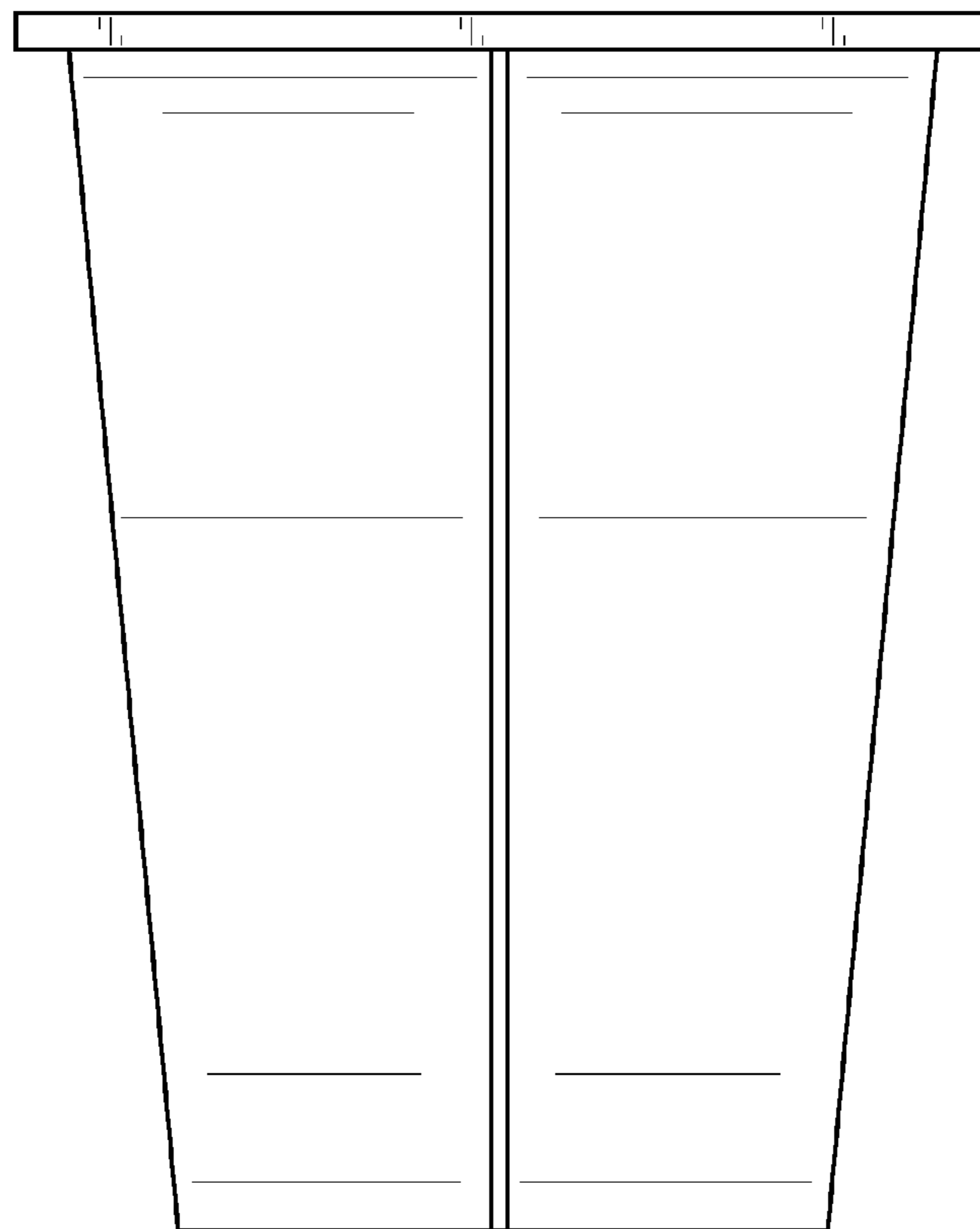
The left side is symmetrical with the right side shown in FIG. 1. The bottom of the grill and the details shown in broken lines form no part of the claimed design.

**1 Claim, 2 Drawing Sheets**





**FIG. 1**



**FIG. 2**