



US00D723860S

(12) **United States Design Patent**
Chung

(10) **Patent No.:** **US D723,860 S**
(45) **Date of Patent:** **** Mar. 10, 2015**

(54) **BARBECUE GRILL**

(71) Applicant: **Kiosky Chung**, Taichung (TW)

(72) Inventor: **Kiosky Chung**, Taichung (TW)

(**) Term: **14 Years**

(21) Appl. No.: **29/475,873**

(22) Filed: **Dec. 7, 2013**

(51) **LOC (10) Cl.** **07-02**

(52) **U.S. Cl.**
USPC **D7/334**

(58) **Field of Classification Search**
USPC D7/332, 334-337, 402-405, 362, 367;
99/481-482, 449, 340; 431/206;
126/19 M, 19 R, 39 R, 39 H, 39 B, 25 R,
126/43, 41 R, 9 R, 38, 37 R, 40, 50
See application file for complete search history.

(56) **References Cited**

U.S. PATENT DOCUMENTS

D549,512 S * 8/2007 Chung D7/334
D571,142 S * 6/2008 Chung D7/334
D624,782 S * 10/2010 Chung D7/334

D662,347 S * 6/2012 May et al. D7/334
D682,007 S * 5/2013 Davis et al. D7/334
D688,512 S * 8/2013 Chung D7/334
D693,624 S * 11/2013 Chung D7/334
D694,568 S * 12/2013 Alden et al. D7/334

* cited by examiner

Primary Examiner — Ruth McInroy

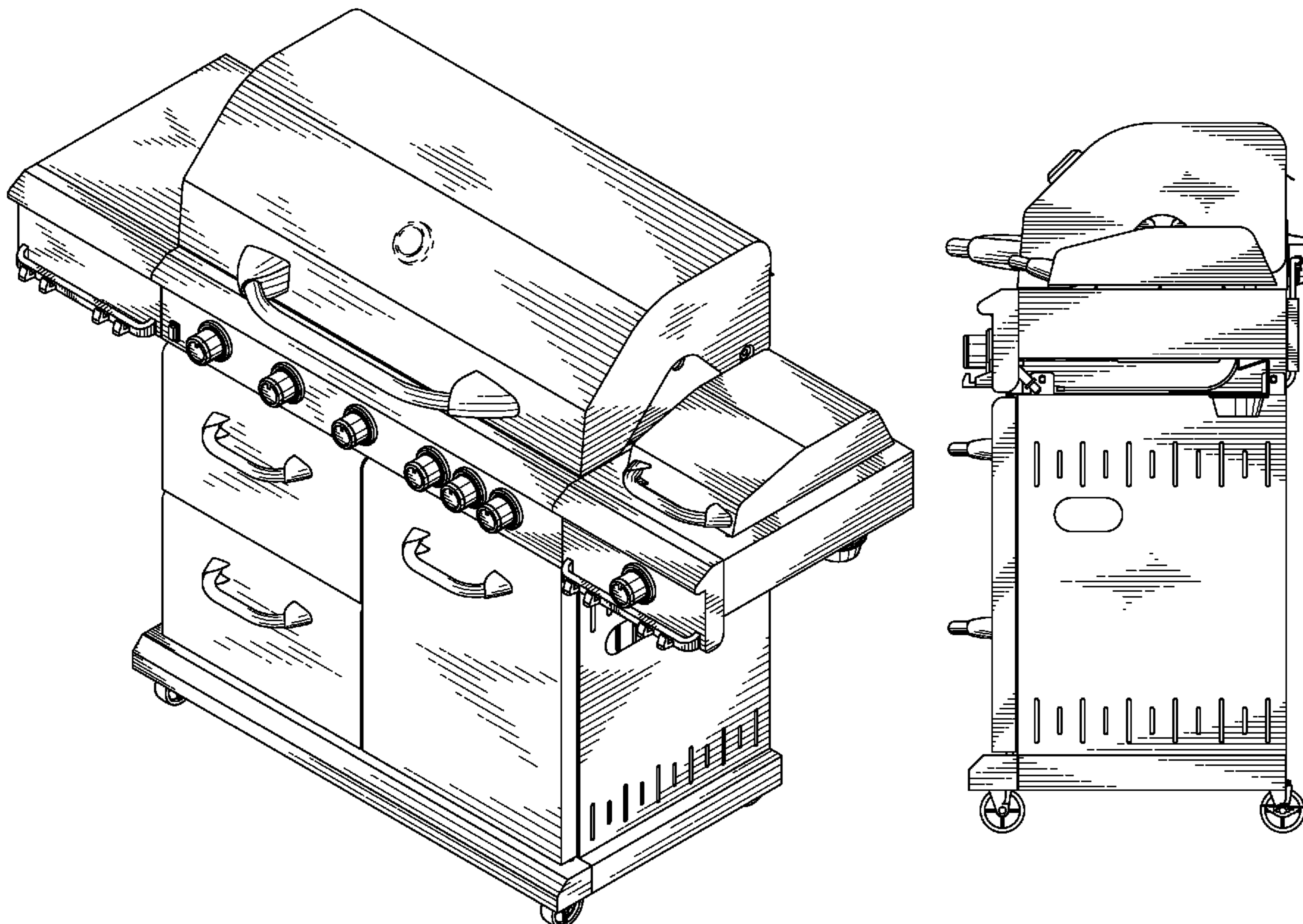
(57) **CLAIM**

I claim the ornamental design for a barbecue grill, as shown and described.

DESCRIPTION

FIG. 1 is a perspective view of a barbecue grill, showing my new design;
FIG. 2 is a front elevational view thereof;
FIG. 3 is a rear elevational view thereof;
FIG. 4 is a left side elevational view thereof;
FIG. 5 is a right side elevational view thereof;
FIG. 6 is a top plan view thereof; and,
FIG. 7 is a bottom plan view thereof.
The broken lines shown in the drawings are for the purpose of illustrating unclaimed portions of the barbecue grill and form no part of the claimed design.

1 Claim, 7 Drawing Sheets



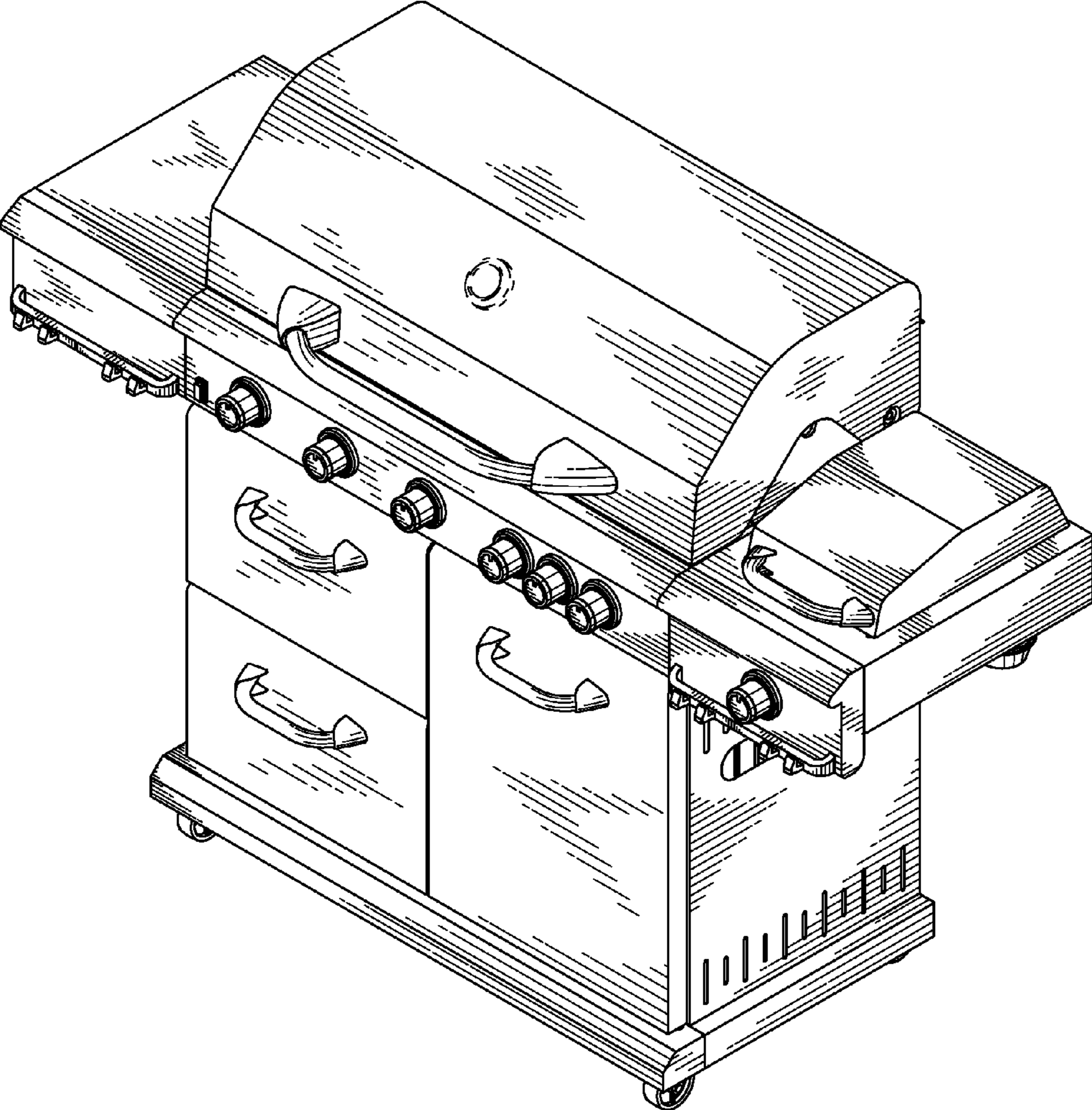


FIG.1

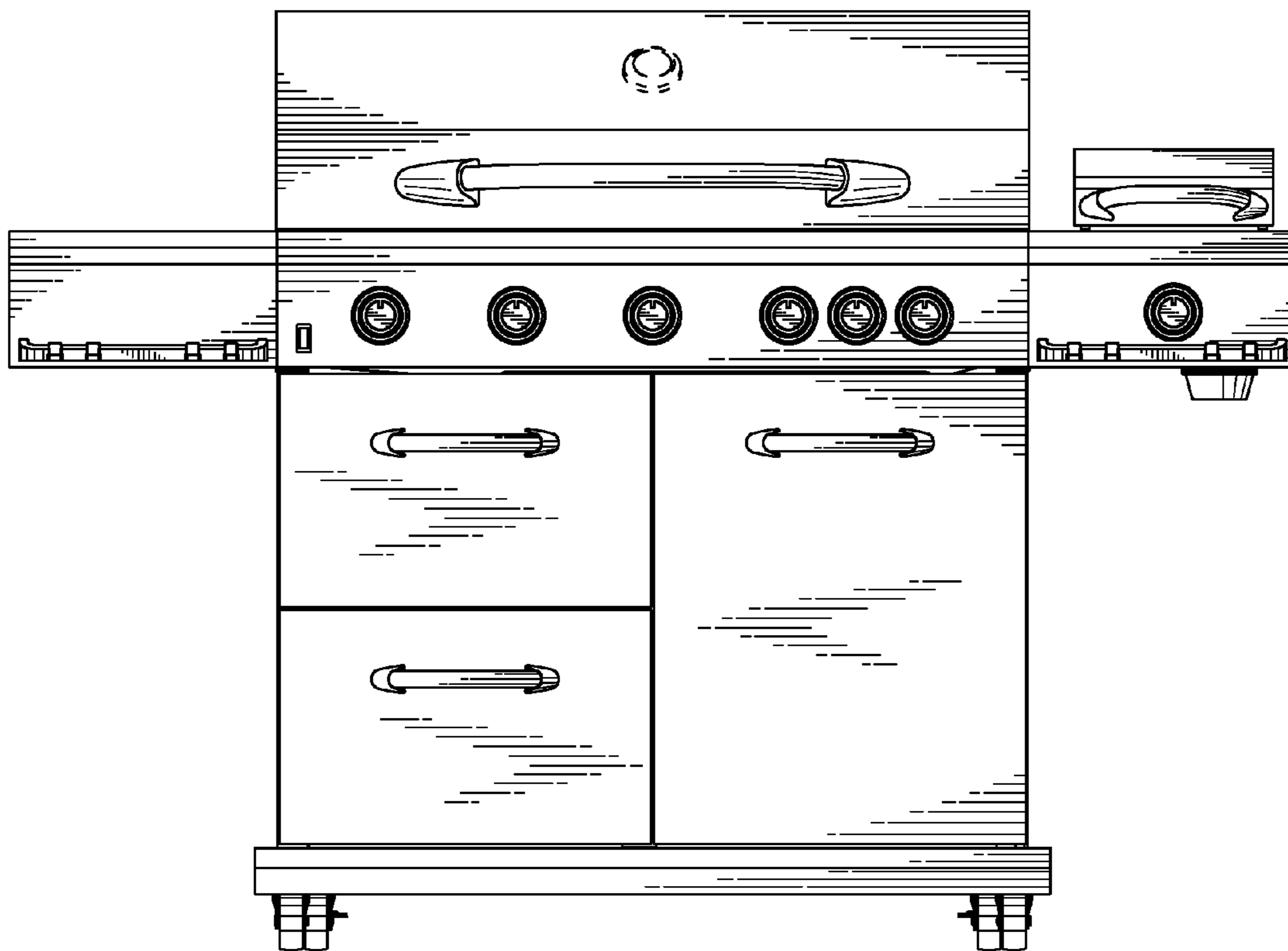


FIG.2

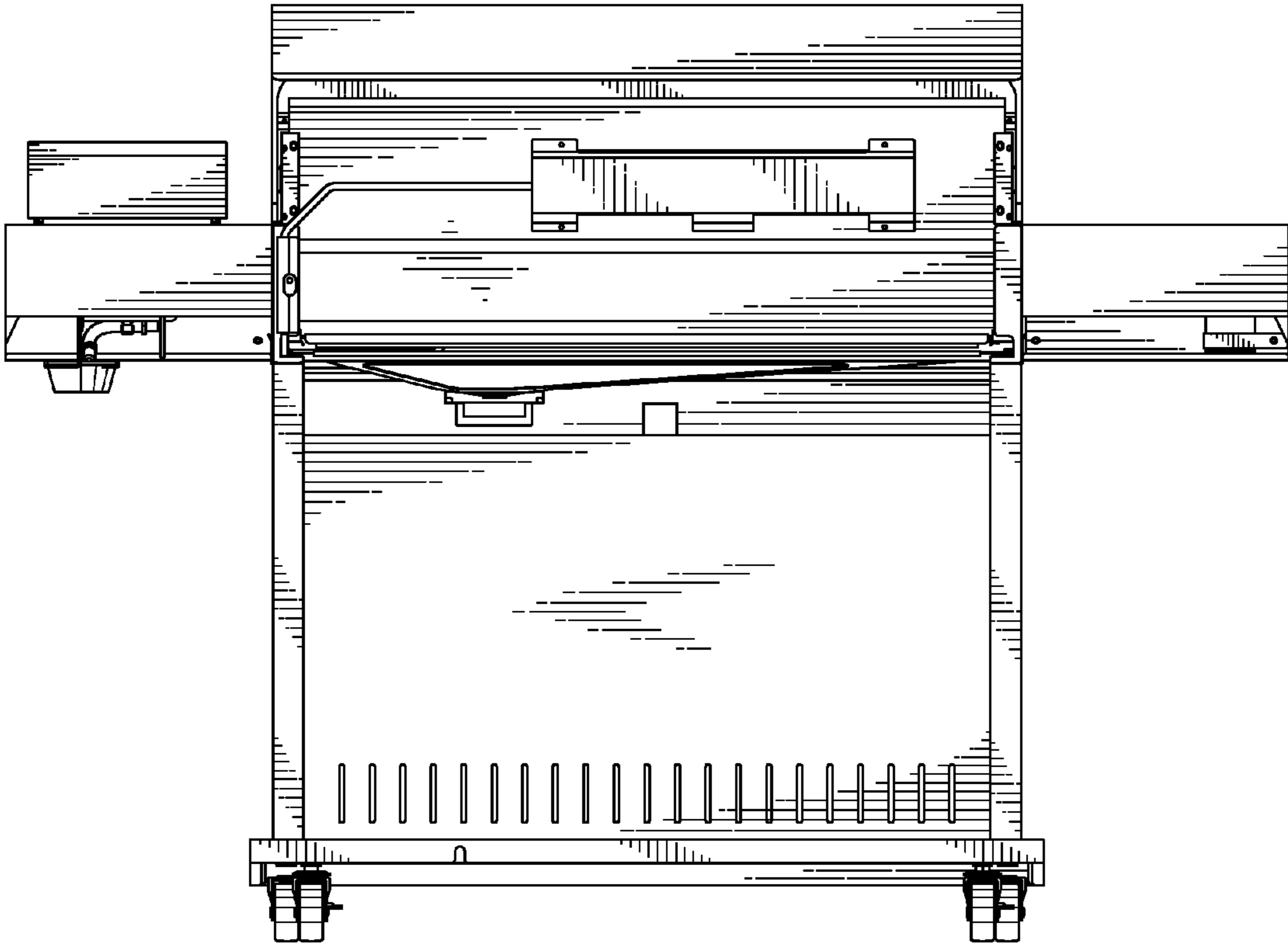


FIG.3

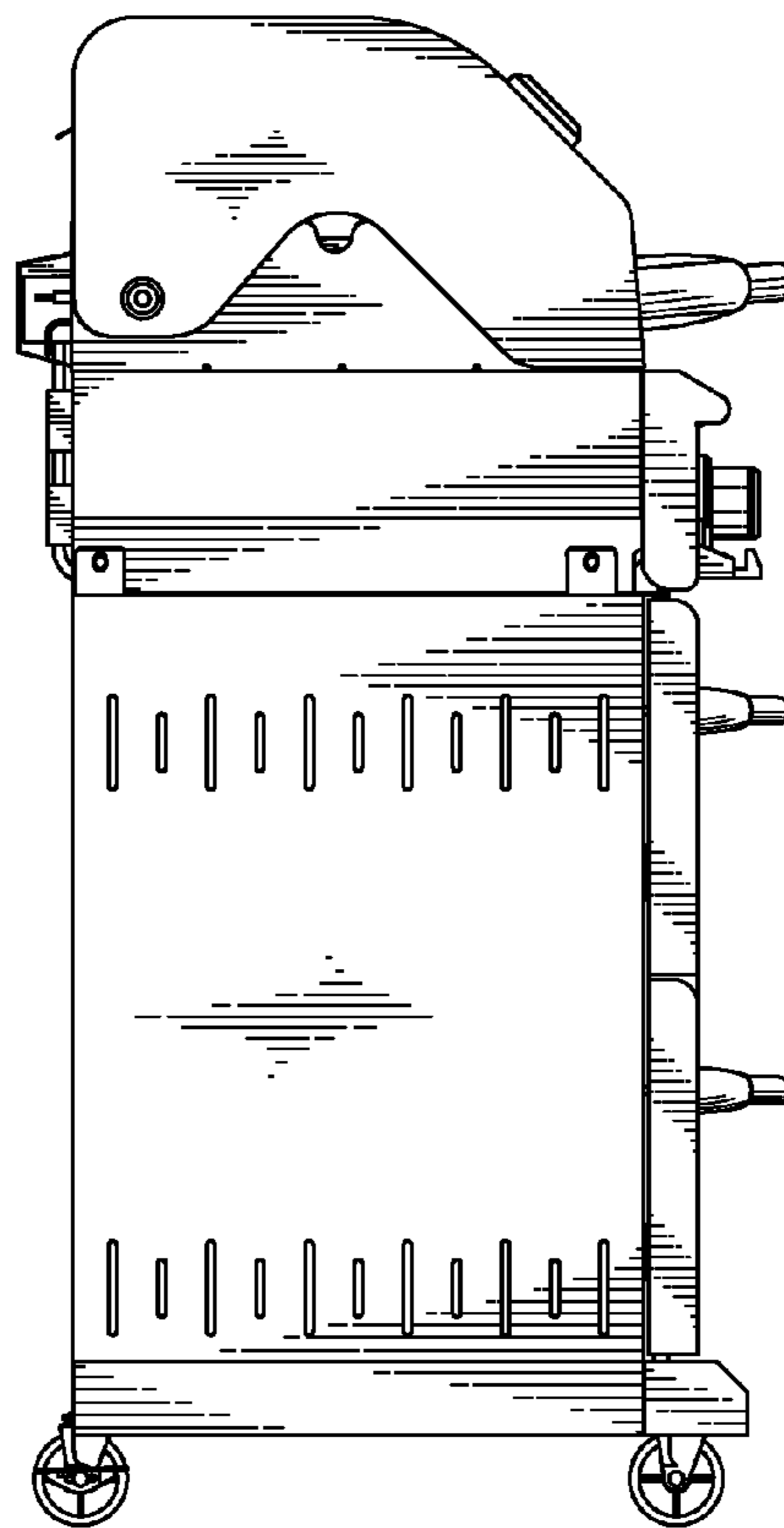


FIG.4

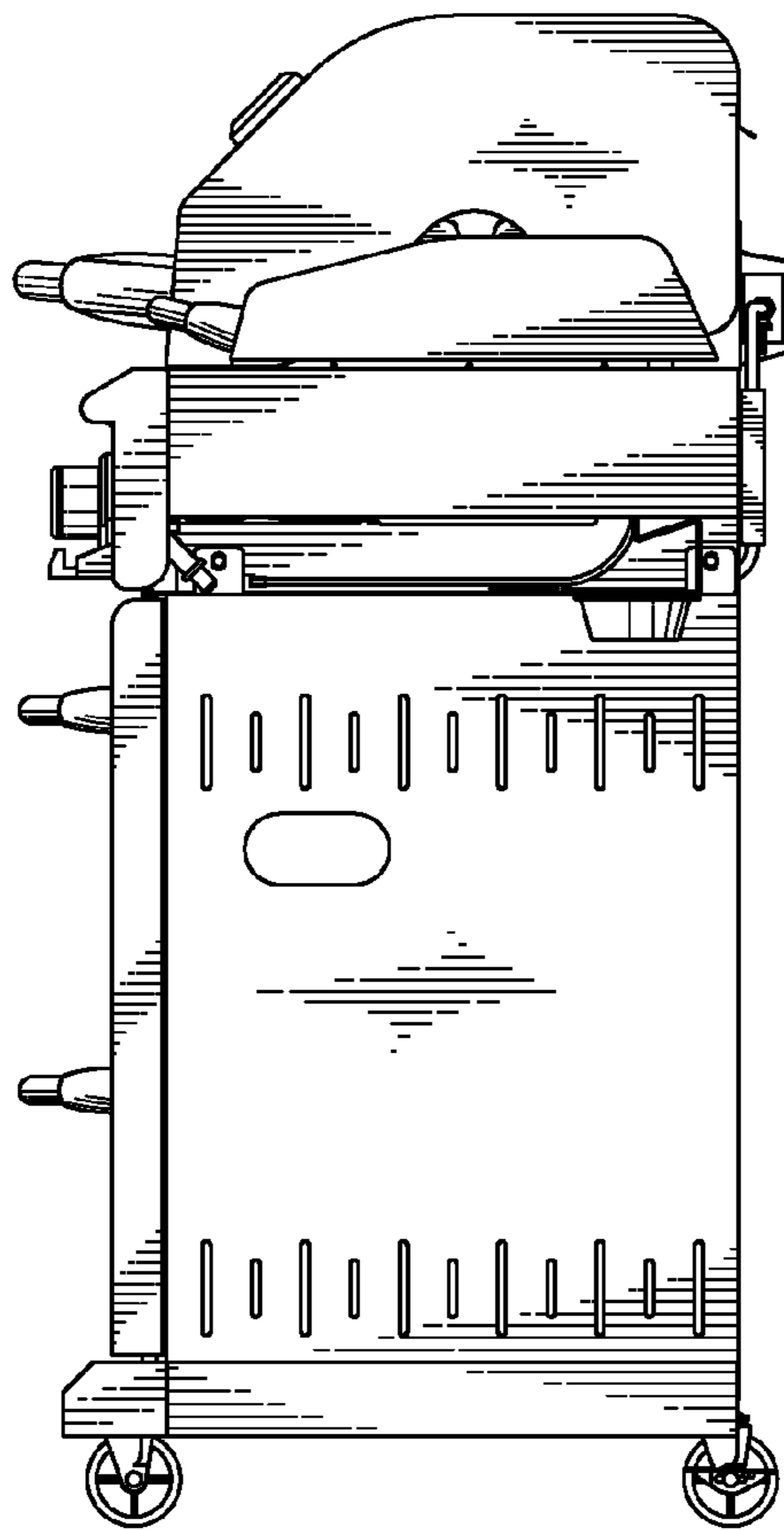


FIG.5

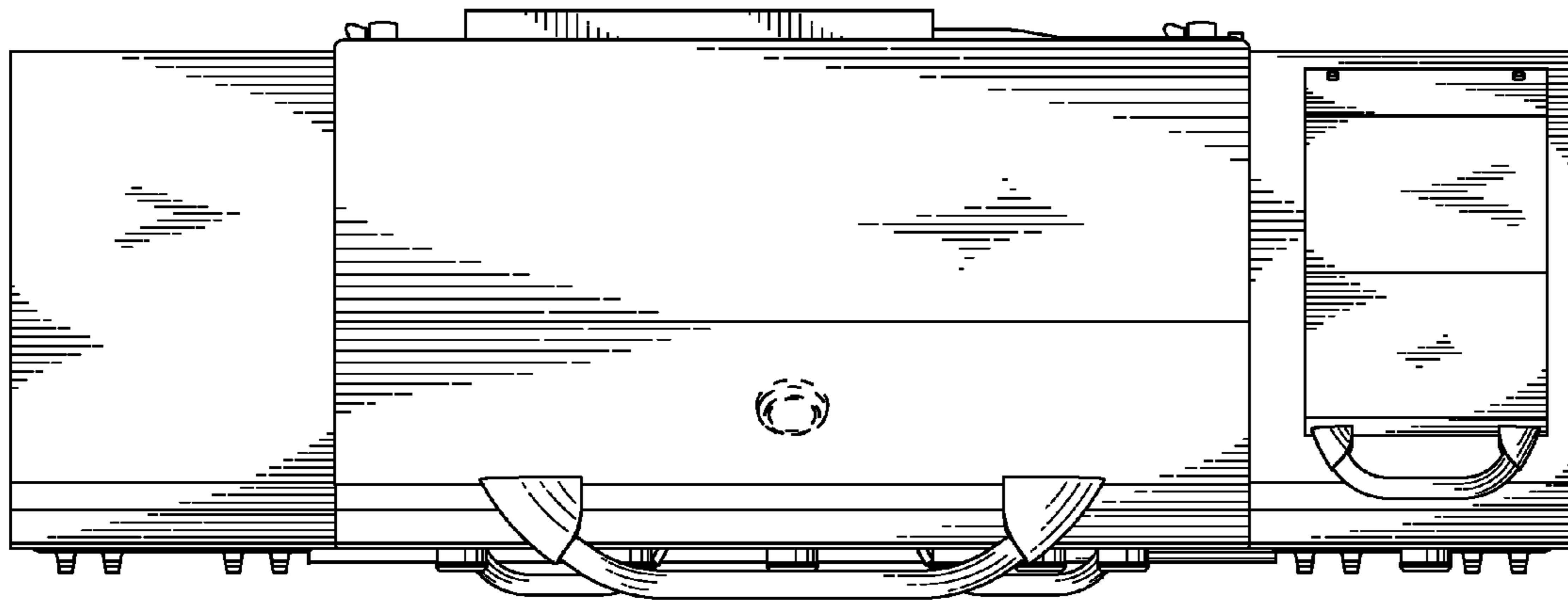


FIG.6

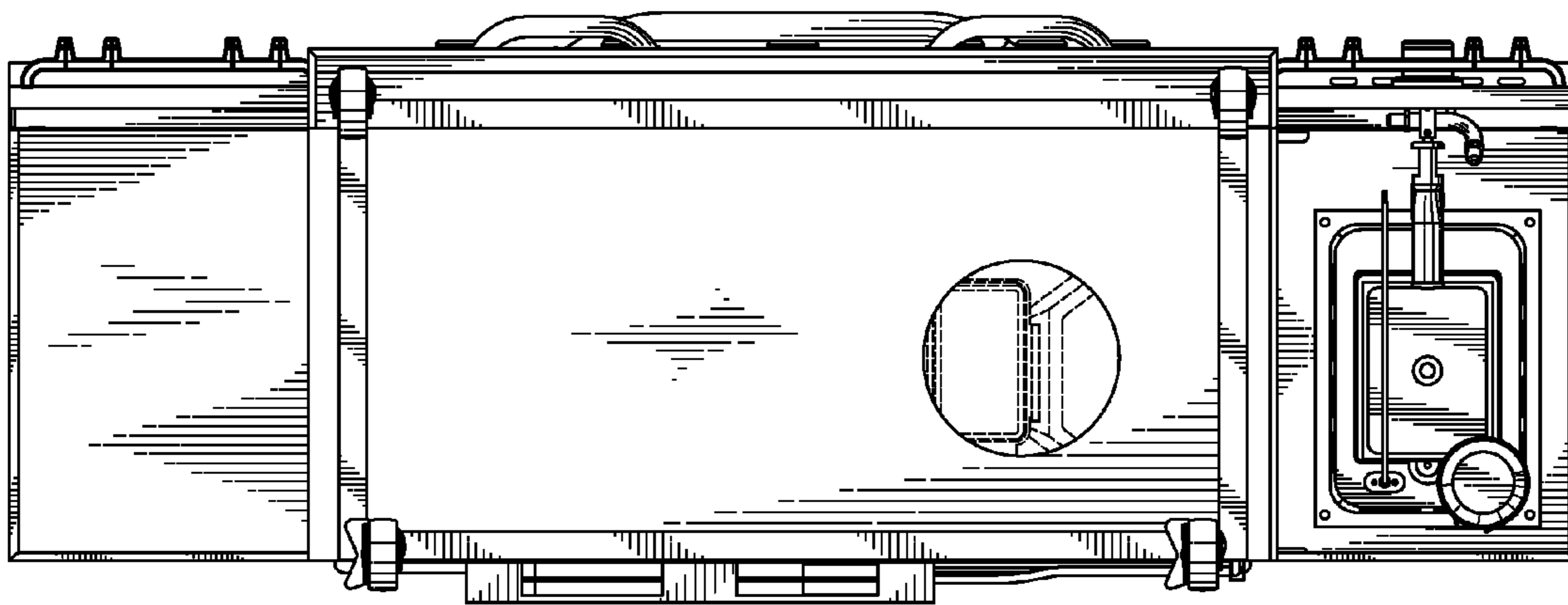


FIG.7