



US00D723858S

(12) **United States Design Patent**  
**Ye**

(10) **Patent No.:** **US D723,858 S**  
(45) **Date of Patent:** **\*\* Mar. 10, 2015**

(54) **COFFEE MACHINE**

(56)

**References Cited**

(71) Applicant: **Tsann Kuen (Zhangzhou) Enterprise Co., Ltd.**, Zhang Zhou, Fujian (CN)

U.S. PATENT DOCUMENTS

(72) Inventor: **Yan Ye**, Zhang Zhou (CN)

D442,010	S	*	5/2001	Collin et al.	.....	D7/306
D514,867	S	*	2/2006	Steiner	.....	D7/309
D570,149	S	*	6/2008	Truong	.....	D7/309
D586,171	S	*	2/2009	Picozza et al.	.....	D7/309
D594,266	S	*	6/2009	Nakatani	.....	D7/306
D600,490	S	*	9/2009	Pino et al.	.....	D7/306
D600,493	S	*	9/2009	Pino et al.	.....	D7/309
D610,388	S	*	2/2010	Hazan et al.	.....	D7/306
D617,603	S	*	6/2010	Garman et al.	.....	D7/373
D619,409	S	*	7/2010	Pino et al.	.....	D7/309
D619,410	S	*	7/2010	Pino et al.	.....	D7/309
D620,301	S	*	7/2010	Picozza et al.	.....	D7/309
D634,962	S	*	3/2011	Butler	.....	D7/306
D637,859	S	*	5/2011	Orkney et al.	.....	D7/306
D682,598	S	*	5/2013	Wu et al.	.....	D7/306
D701,072	S	*	3/2014	Rousselin	.....	D7/306

(73) Assignee: **Tsann Kuen (Zhangzhou) Enterprise Co., Ltd.**, Zhang Zhou (CN)

(\*\*) Term: **14 Years**

(21) Appl. No.: **29/469,823**

(22) Filed: **Oct. 15, 2013**

(30) **Foreign Application Priority Data**

Apr. 15, 2013 (CN) ..... 2013 3 0114409

\* cited by examiner

*Primary Examiner* — Marianne Pandozzi

(51) **LOC (10) Cl.** ..... **07-01**

*Assistant Examiner* — Jae Liang

(74) *Attorney, Agent, or Firm* — Rabin & Berdo, P.C.

(52) **U.S. Cl.**  
USPC ..... **D7/309**; D7/399; D7/397; D7/306;  
D7/311

(57) **CLAIM**

The ornamental design for coffee machine, as shown and described.

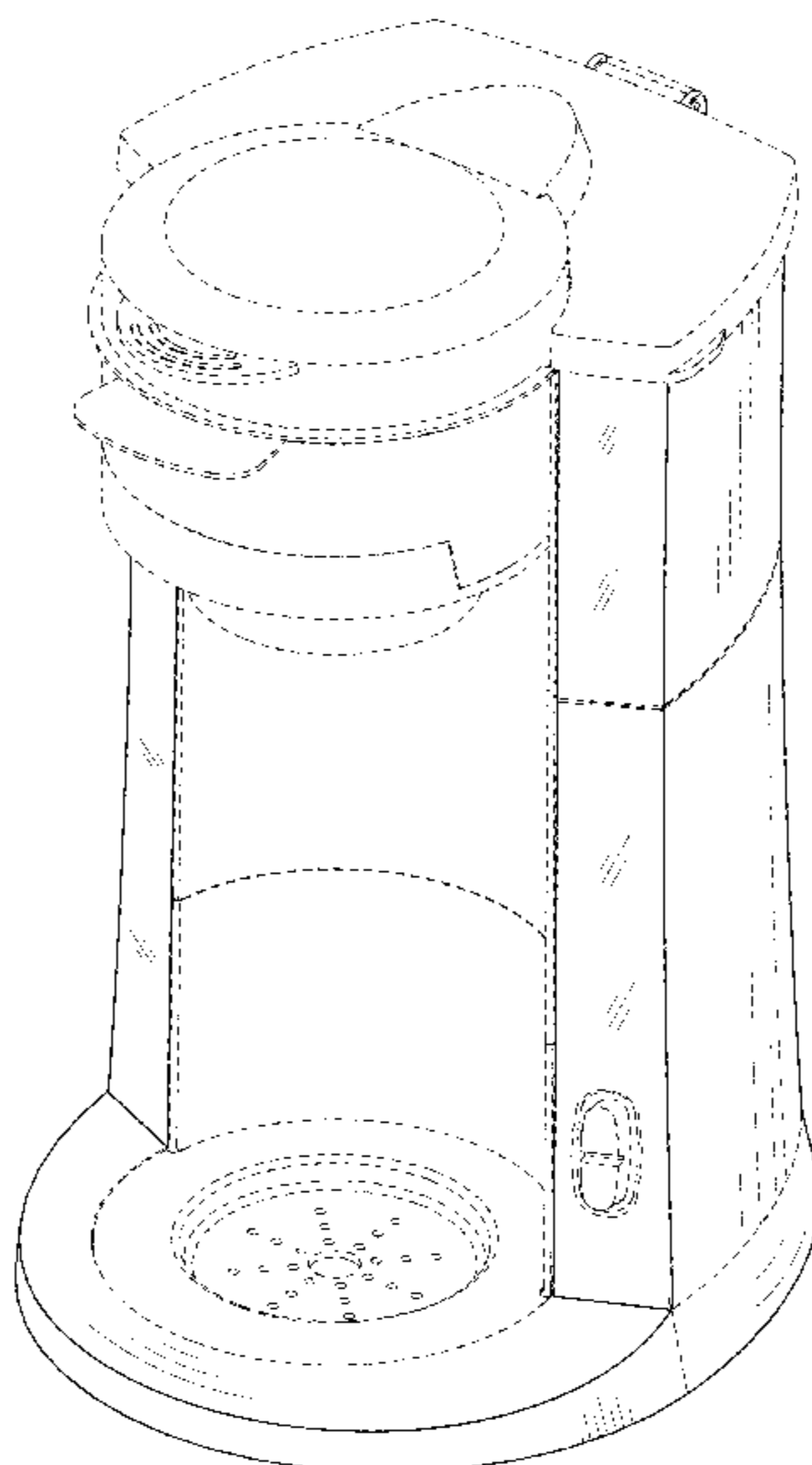
(58) **Field of Classification Search**  
CPC ..... A47J 31/14; A47J 31/12; A47J 31/106;  
A47J 31/103; A47J 31/10; A47J 31/42;  
A47J 31/44  
USPC ..... D7/397, 398, 399, 376, 377, 378, 379,  
D7/304, 305, 306, 307, 308, 309, 310, 311,  
D7/313, 412, 413, 414, 415; 366/129, 130,  
366/279; 222/174, 146.5; 99/283, 295, 229,  
99/293

**DESCRIPTION**

FIG. 1 is a front view of a coffee machine showing my new design;  
FIG. 2 is a rear view thereof;  
FIG. 3 is a left side view thereof;  
FIG. 4 is a right side view thereof;  
FIG. 5 is a top plan view thereof;  
FIG. 6 is a bottom plan view thereof; and,  
FIG. 7 is a perspective view thereof.

See application file for complete search history.

**1 Claim, 7 Drawing Sheets**



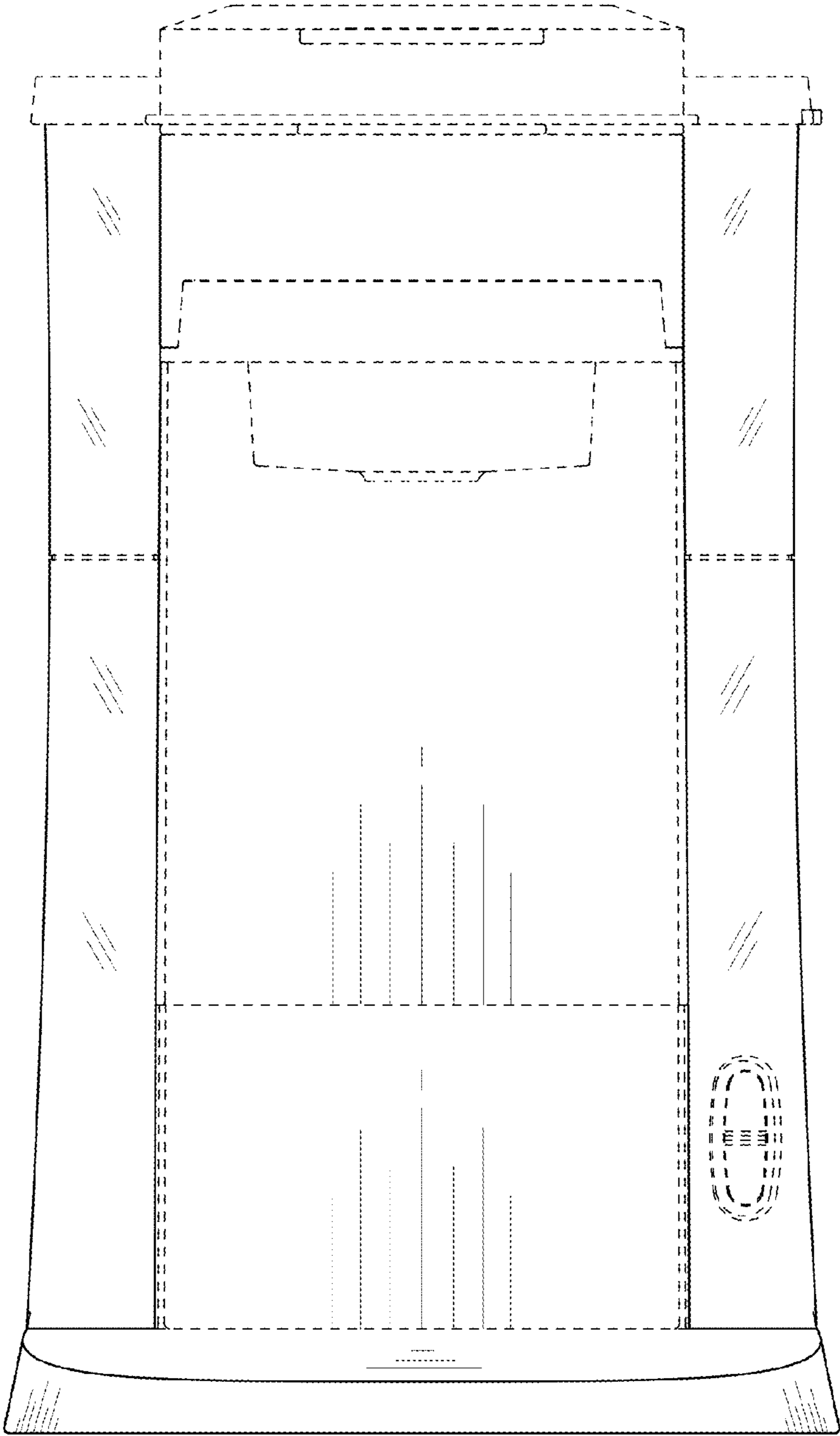


FIG. 1

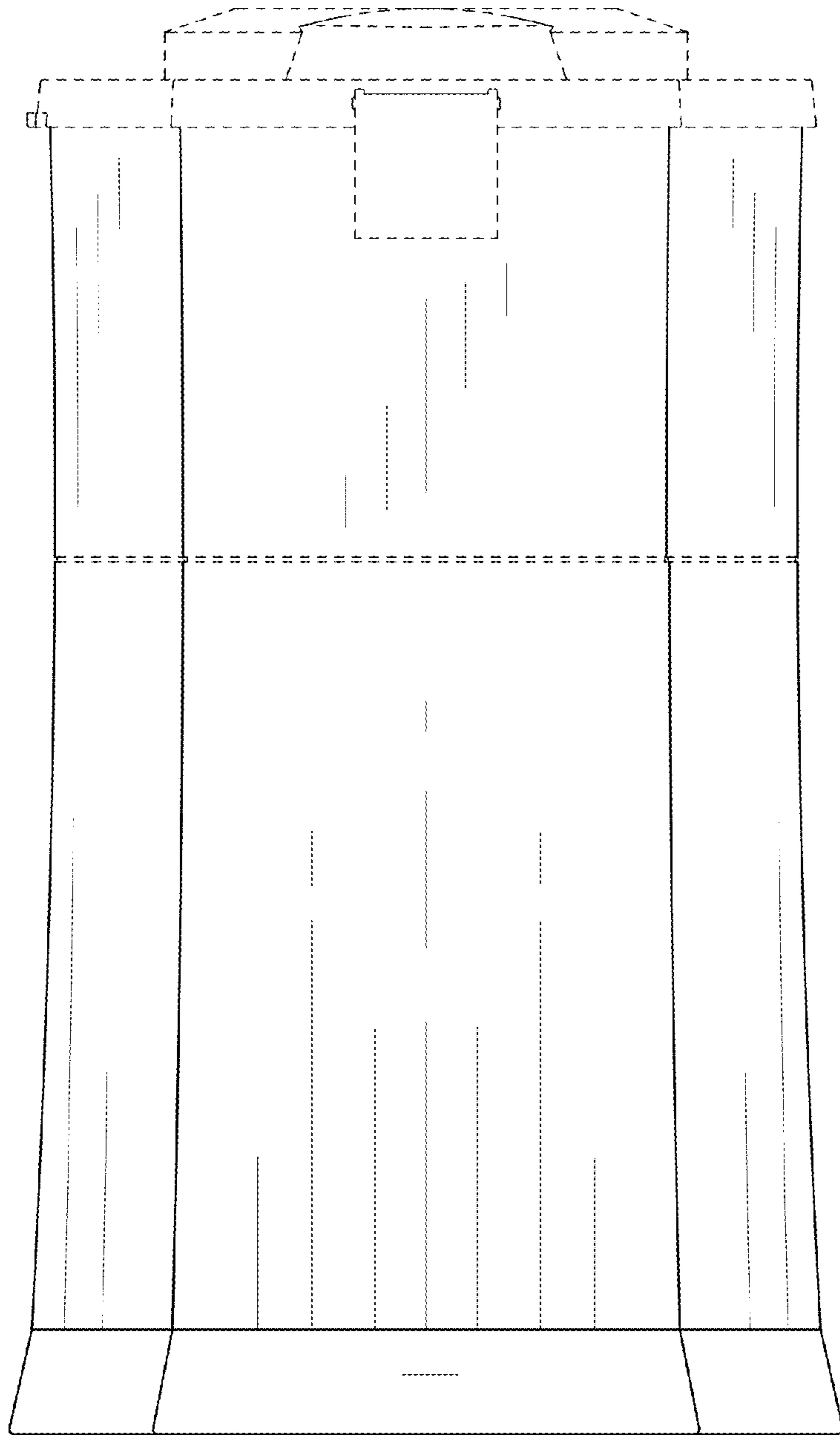


FIG. 2

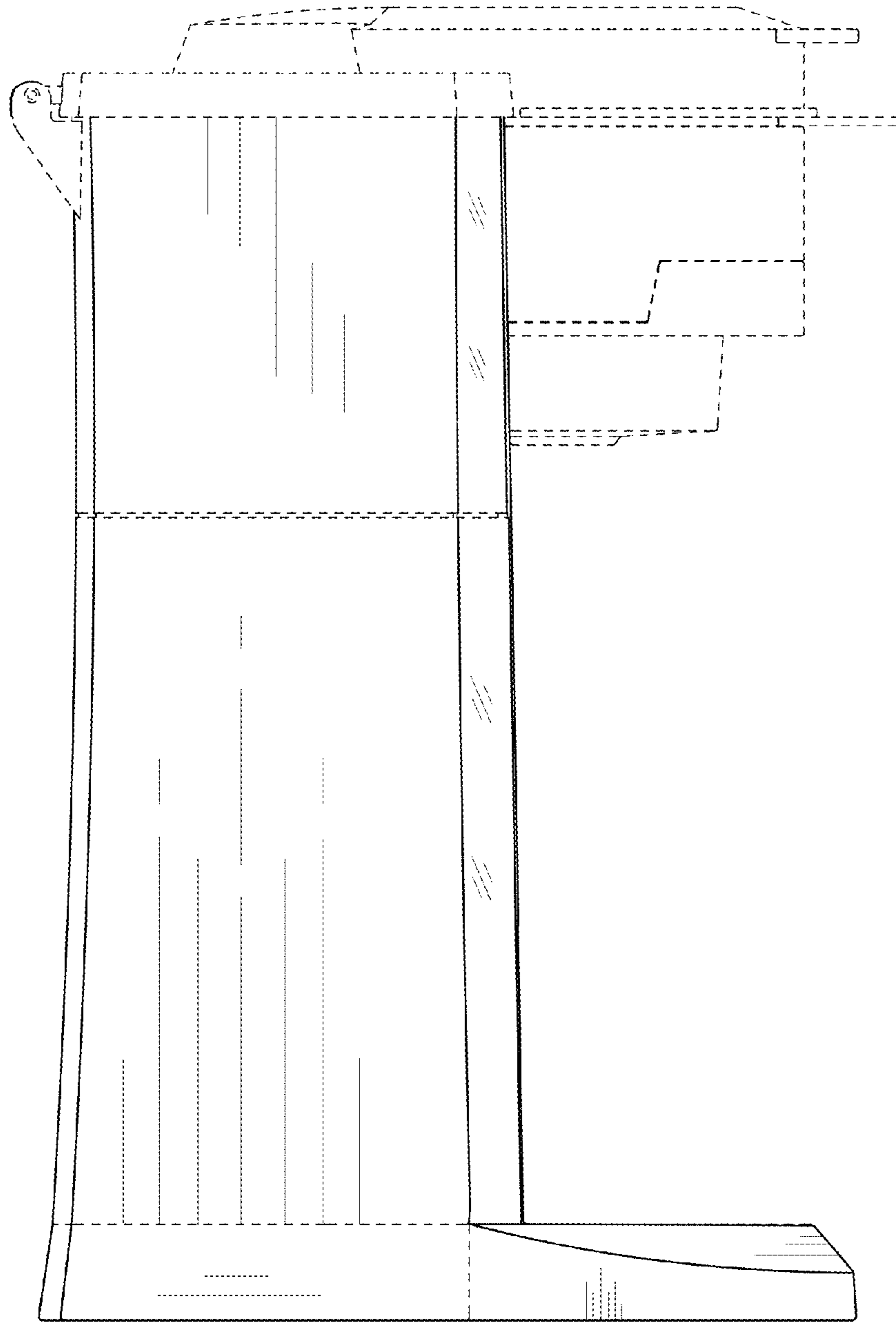


FIG. 3

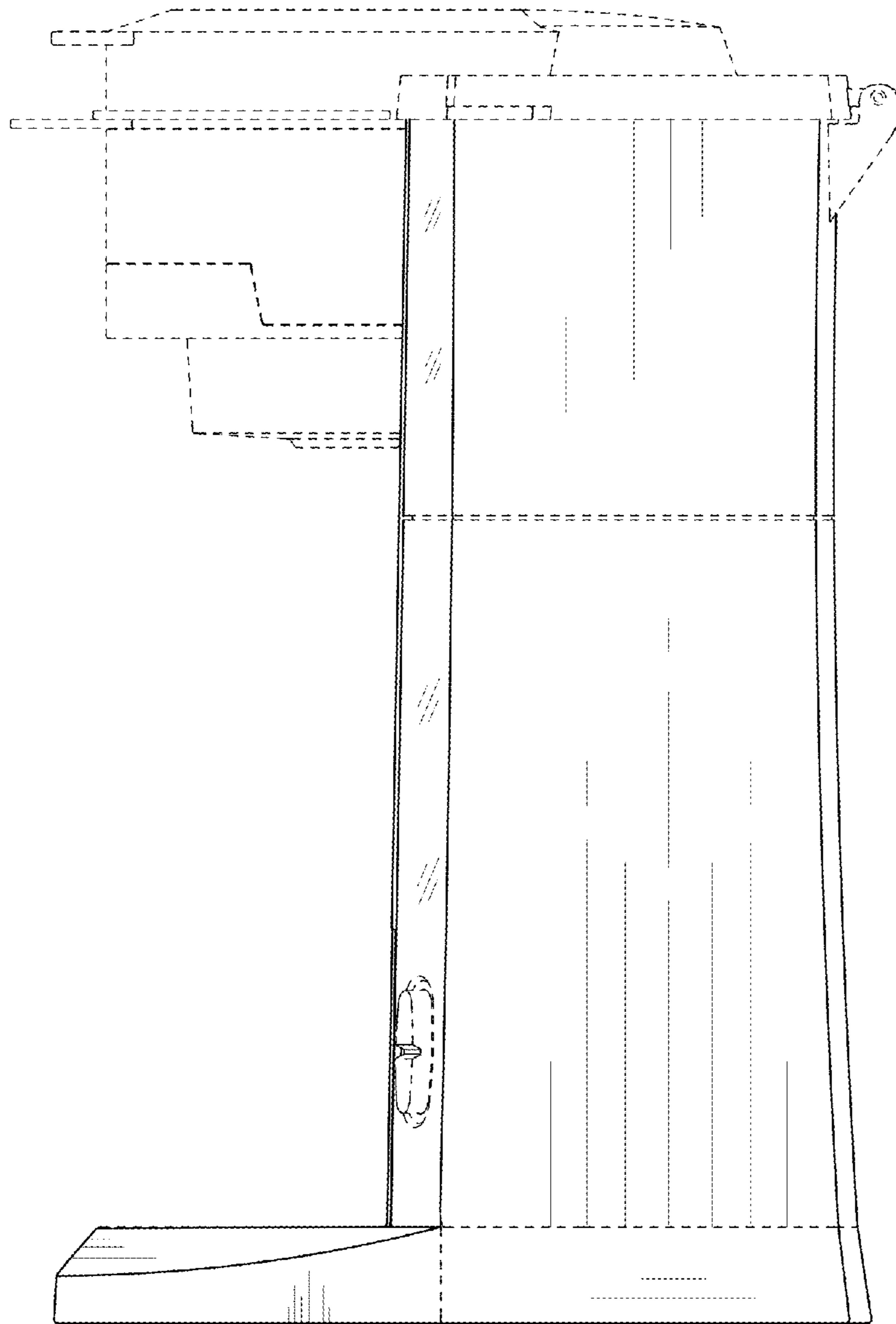


FIG. 4

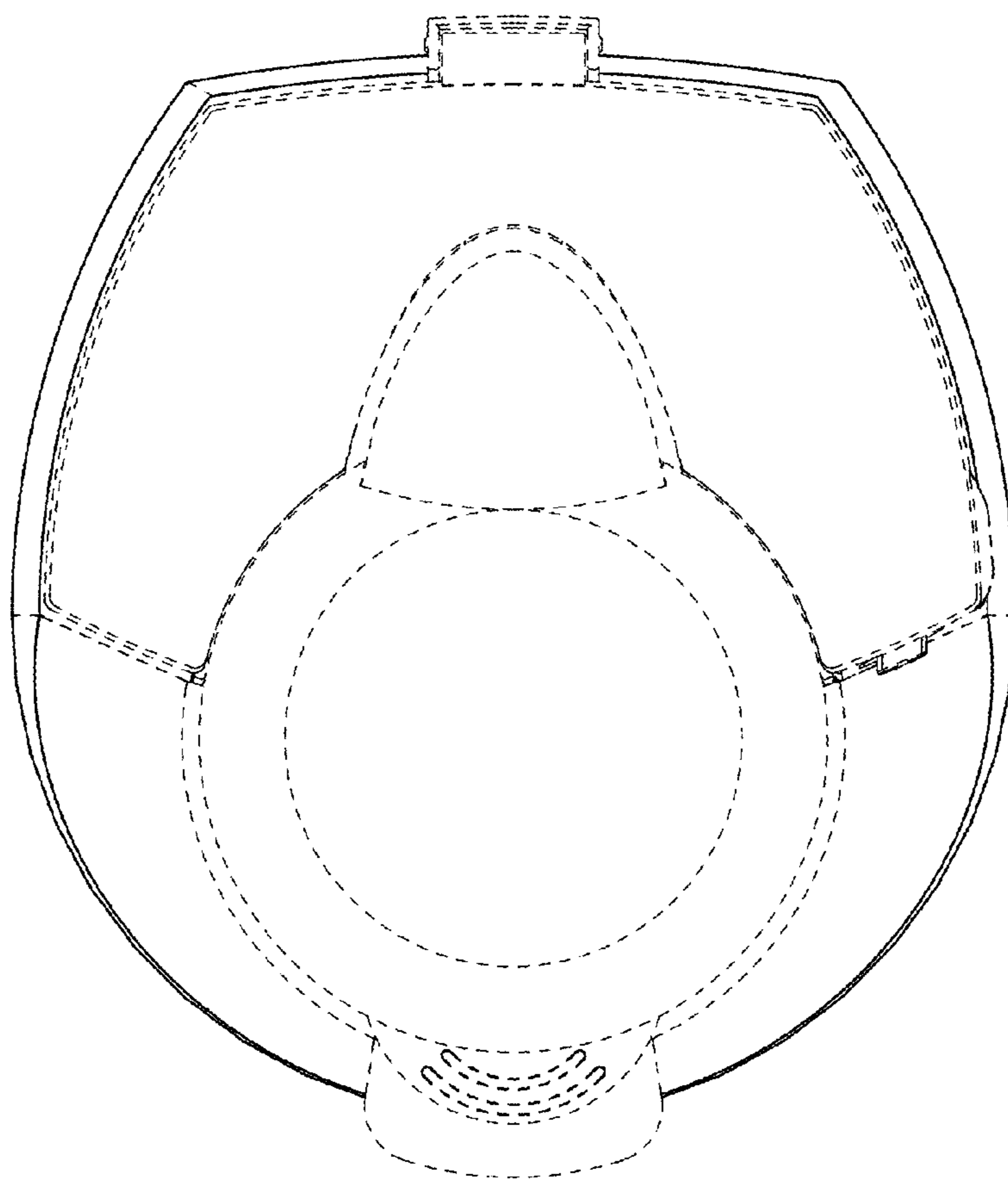


FIG. 5

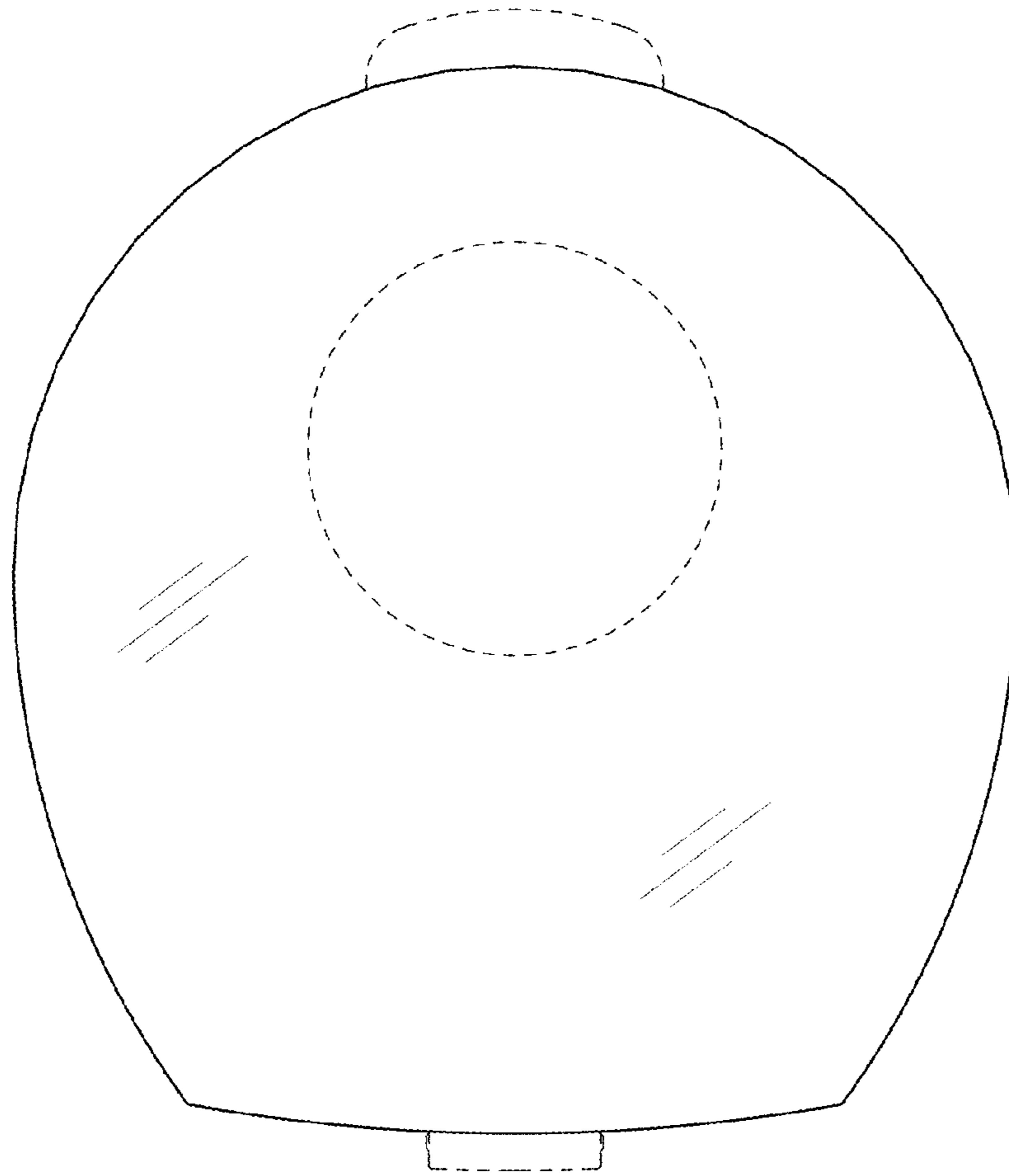


FIG. 6

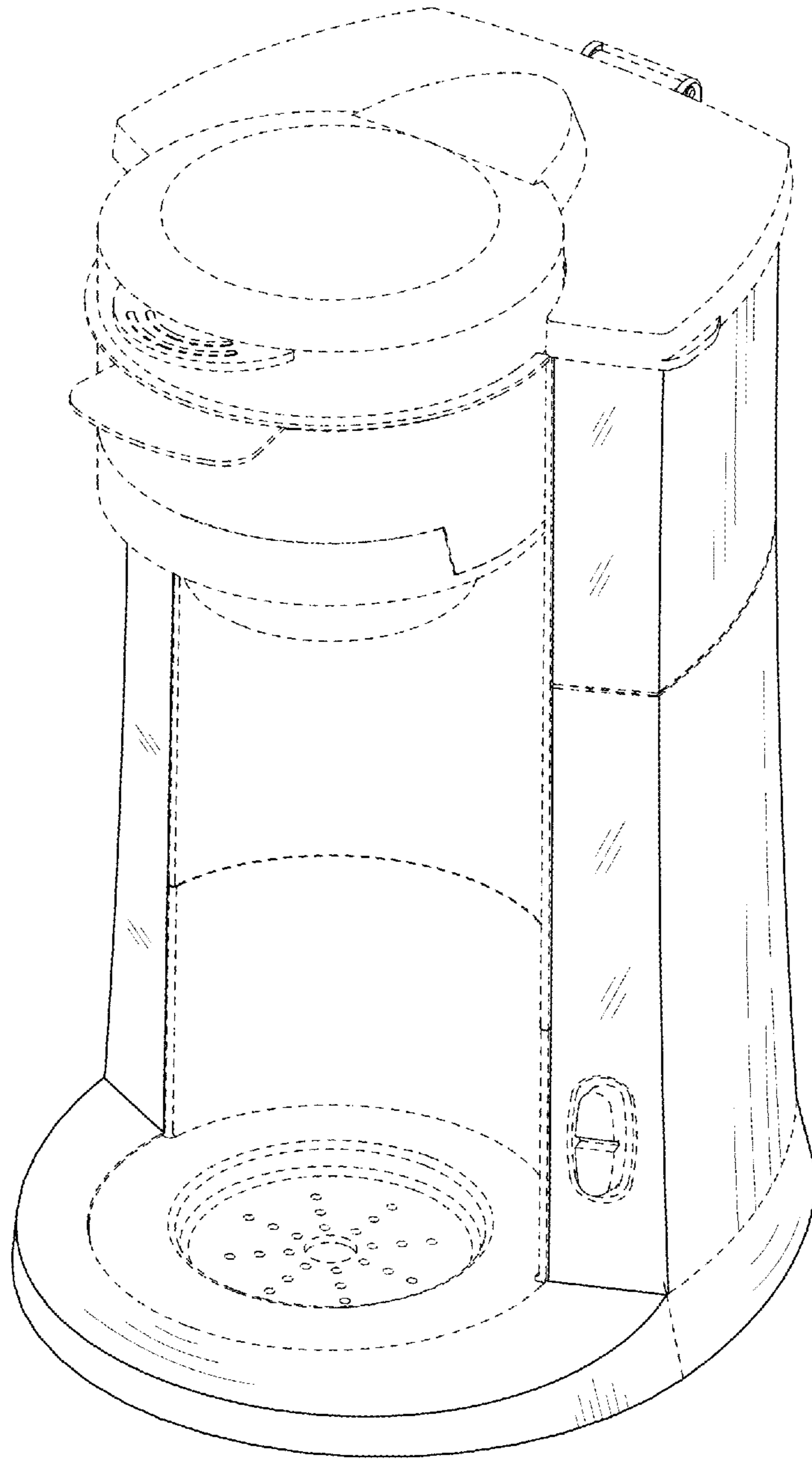


FIG. 7