



US00D723852S

(12) **United States Design Patent**  
**Martin**

(10) **Patent No.:** **US D723,852 S**  
(45) **Date of Patent:** **\*\* Mar. 10, 2015**

- (54) **FURNITURE SUPPORT**
- (71) Applicant: **Gayla Martin**, Fyffe, AL (US)
- (72) Inventor: **Gayla Martin**, Fyffe, AL (US)
- (\*\*) Term: **14 Years**
- (21) Appl. No.: **29/448,581**
- (22) Filed: **Mar. 13, 2013**
- (51) **LOC (10) Cl.** ..... **06-06**
- (52) **U.S. Cl.**  
USPC ..... **D6/717**
- (58) **Field of Classification Search**  
USPC ..... D6/708, 708.16, 708.17, 708.2, 708.21,  
D6/708.22, 708.25, 717; D8/71, 353-354,  
D8/400, 402; D34/31; 108/147.19, 147.21,  
108/153.1, 155-156, 157.1, 161; 248/188,  
248/188.1, 188.5, 188.8, 298.1, 345.1, 351,  
248/354.1, 357, 423; 297/423.45, 463.1  
See application file for complete search history.

- 3,322,389 A \* 5/1967 Janin ..... 248/345.1
- D257,761 S \* 1/1981 Abel ..... D8/402
- D336,424 S \* 6/1993 Barber ..... D8/402
- D350,888 S \* 9/1994 Perry ..... D8/71
- D387,659 S \* 12/1997 Harrick et al. .... D8/402
- D483,661 S \* 12/2003 French ..... D8/402
- D523,740 S 6/2006 Harris
- 7,066,554 B2 \* 6/2006 Lin ..... 297/463.1
- D656,289 S \* 3/2012 Crump ..... D34/31
- 8,424,828 B1 \* 4/2013 Roccasalva et al. .... 248/345.1

\* cited by examiner

*Primary Examiner* — Ricky Pham

(74) *Attorney, Agent, or Firm* — Robert C. Montgomery;  
Montgomery Patent & Design

(56) **References Cited**

U.S. PATENT DOCUMENTS

- 1,158,350 A 10/1915 White
- 1,445,726 A \* 2/1923 Soros ..... 248/345.1
- 2,473,947 A \* 6/1949 Hamstrom ..... 297/423.45
- 2,683,328 A \* 7/1954 Thulin ..... 248/345.1
- 3,191,811 A \* 6/1965 McBroom ..... 248/345.1

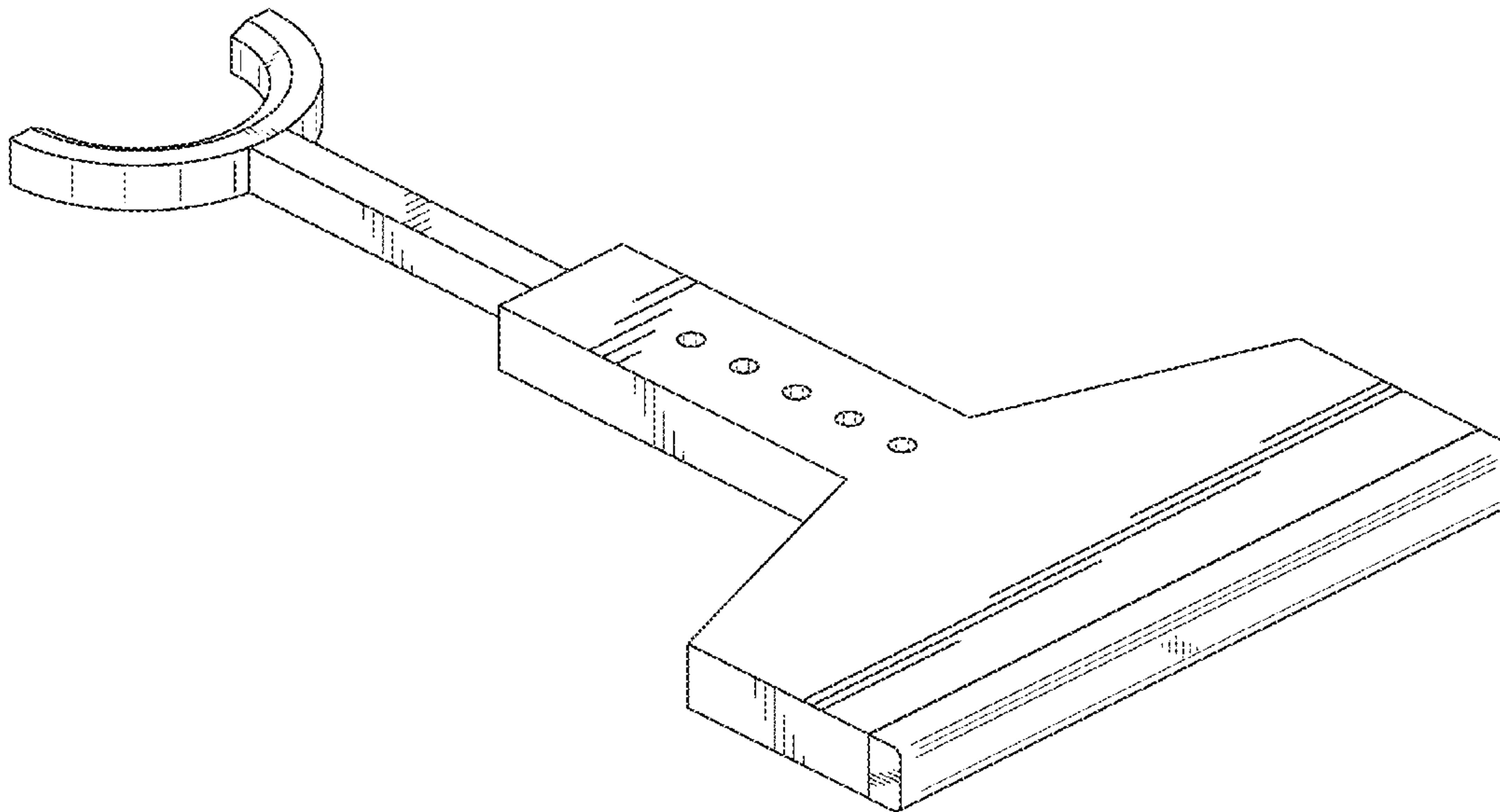
(57) **CLAIM**

The ornamental design for a furniture support, as shown and described.

**DESCRIPTION**

FIG. 1 is an isometric view of a furniture support;  
 FIG. 2 is a front view thereof;  
 FIG. 3 is a rear view thereof;  
 FIG. 4 is a right-hand side view thereof, wherein a left-hand side view is a mirror image of the right-hand side view; and,  
 FIG. 5 is a top view thereof, wherein a bottom view is a mirror image of the top view.

**1 Claim, 4 Drawing Sheets**



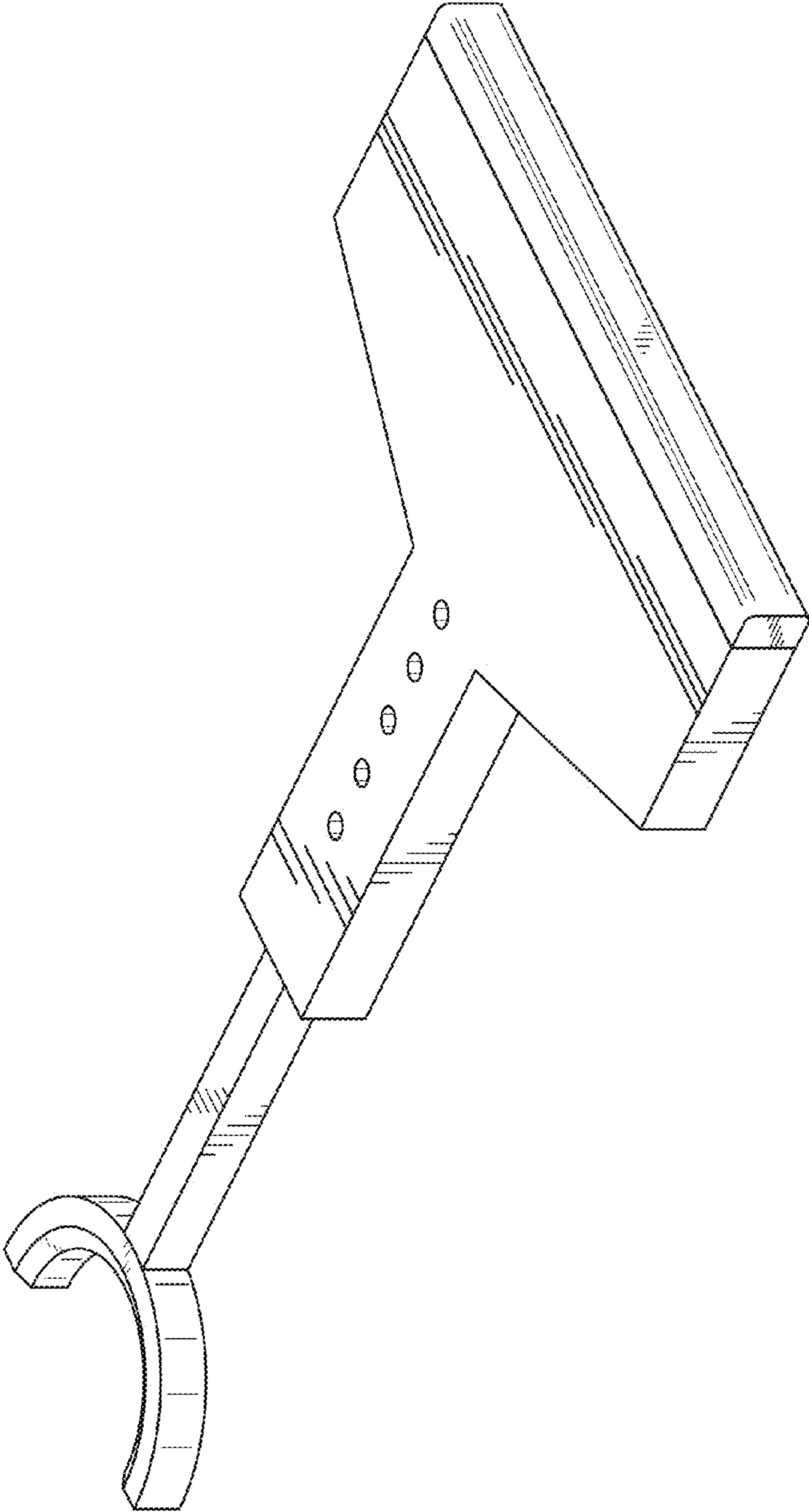


Fig. 1

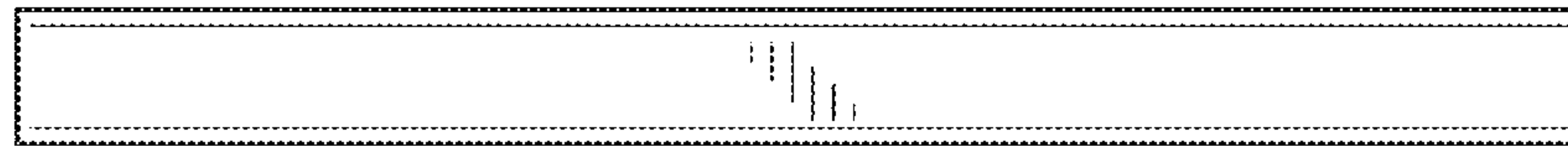


Fig. 2

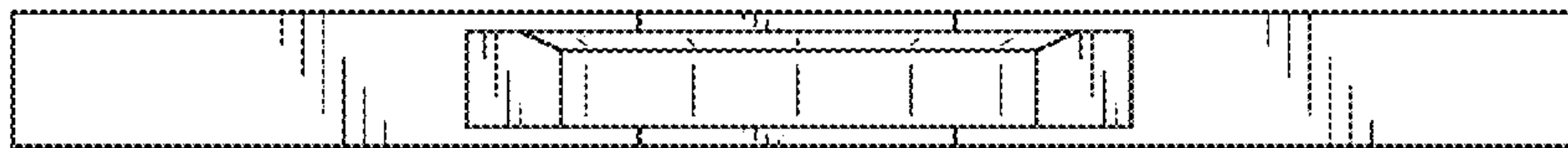


Fig. 3



Fig. 4

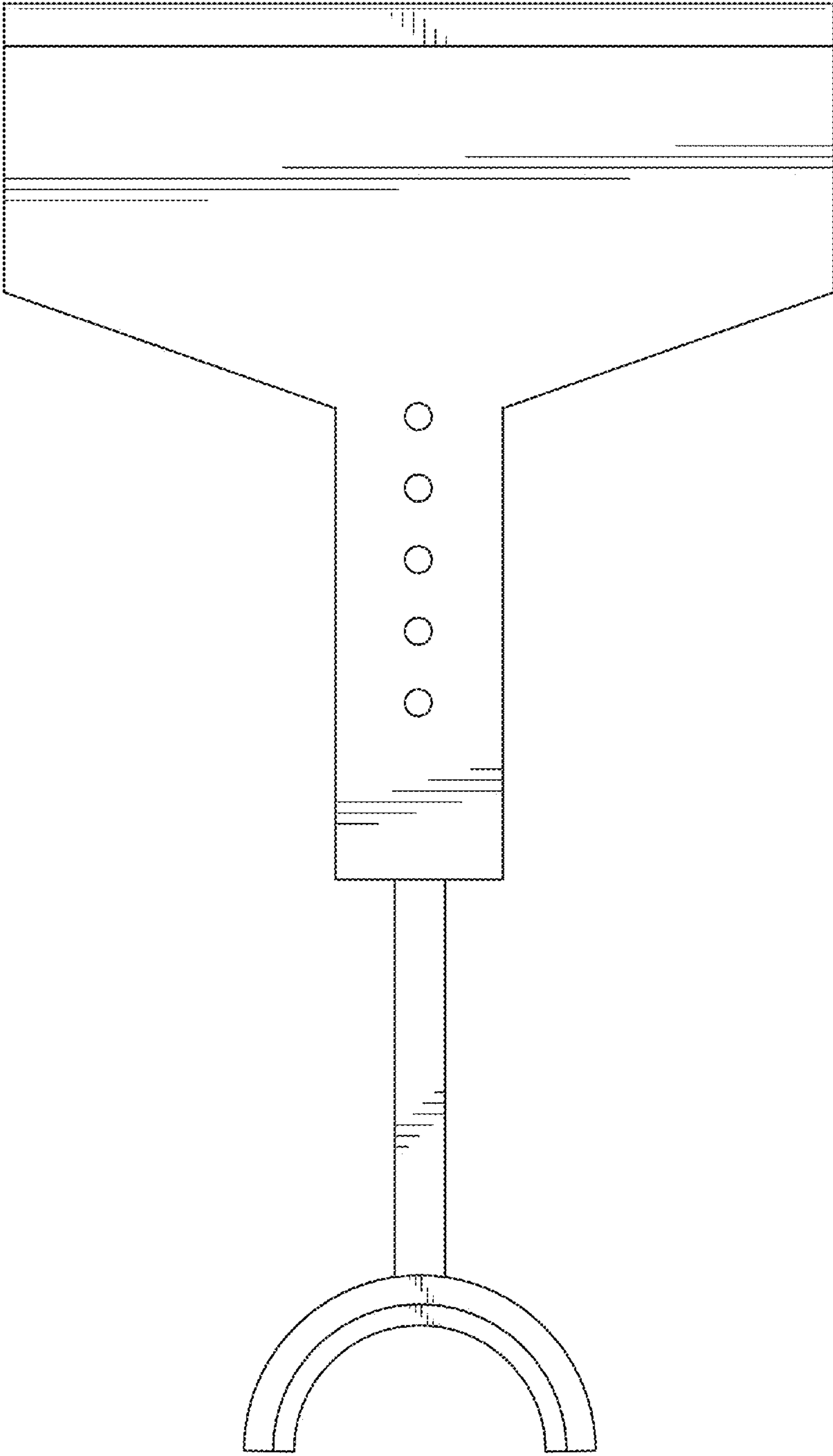


Fig. 5