



US00D723849S

(12) **United States Design Patent**  
**Mueller et al.**

(10) **Patent No.:** **US D723,849 S**  
(45) **Date of Patent:** **\*\* Mar. 10, 2015**

- (54) **TABLE LEG**
- (71) Applicant: **Steelcase Werndl AG**, Rosenheim (DE)
- (72) Inventors: **Karl-Heinz Mueller**, Prutting (DE);  
**John Small**, London (GB)
- (73) Assignee: **Steelcase Werndl AG**, Rosenheim (DE)
- (\*\*) Term: **14 Years**
- (21) Appl. No.: **29/500,992**
- (22) Filed: **Aug. 29, 2014**

**Related U.S. Application Data**

- (63) Continuation of application No. 29/450,659, filed on Mar. 20, 2013.

**Foreign Application Priority Data**

- (30) Sep. 20, 2012 (EM) ..... 001345490-0001

- (51) **LOC (10) CL.** ..... **06-06**

- (52) **U.S. CL.**  
USPC ..... **D6/709**

- (58) **Field of Classification Search**  
USPC ..... D6/702, 709, 656.16, 656.17;  
108/50.01, 50.02, 153.1, 156, 157.1,  
108/161, 144.11, 146, 147.19; 248/188,  
248/188.1, 188.7, 188.8  
See application file for complete search history.

(56) **References Cited**

**U.S. PATENT DOCUMENTS**

D203,199 S	12/1965	Beckman
D236,058 S	7/1975	Kramer
D239,073 S	3/1976	George
D277,717 S	2/1985	Petrick
D314,299 S	2/1991	Diffrient
D330,302 S	10/1992	Heidmann
D355,317 S	2/1995	Gutgsell

D379,127 S	5/1997	Schacht	
D379,411 S	5/1997	Funk	
D380,632 S	7/1997	Schacht	
5,845,590 A *	12/1998	Seidl	108/147
D409,861 S	5/1999	Newhouse	
D412,256 S	7/1999	Gutgsell	
D423,822 S	5/2000	Takemasa	
D437,152 S	2/2001	Brown et al.	
6,360,675 B1 *	3/2002	Jones	108/50.02
D461,072 S	8/2002	Ko	
D489,551 S	5/2004	Cesaroni et al.	
D498,091 S	11/2004	Winter et al.	
D512,251 S	12/2005	Sakurai et al.	
D512,587 S	12/2005	Frenkler et al.	
6,997,114 B2	2/2006	Chang	
D555,945 S	11/2007	Pearsons et al.	
D563,697 S *	3/2008	Glass et al.	D6/499
D569,662 S	5/2008	Simonsen	
D573,812 S	7/2008	Saotome	
D574,634 S	8/2008	Saotome	
D578,324 S	10/2008	Glass et al.	

(Continued)

*Primary Examiner* — Janice Seeger

(74) *Attorney, Agent, or Firm* — Price Heneveld LLP

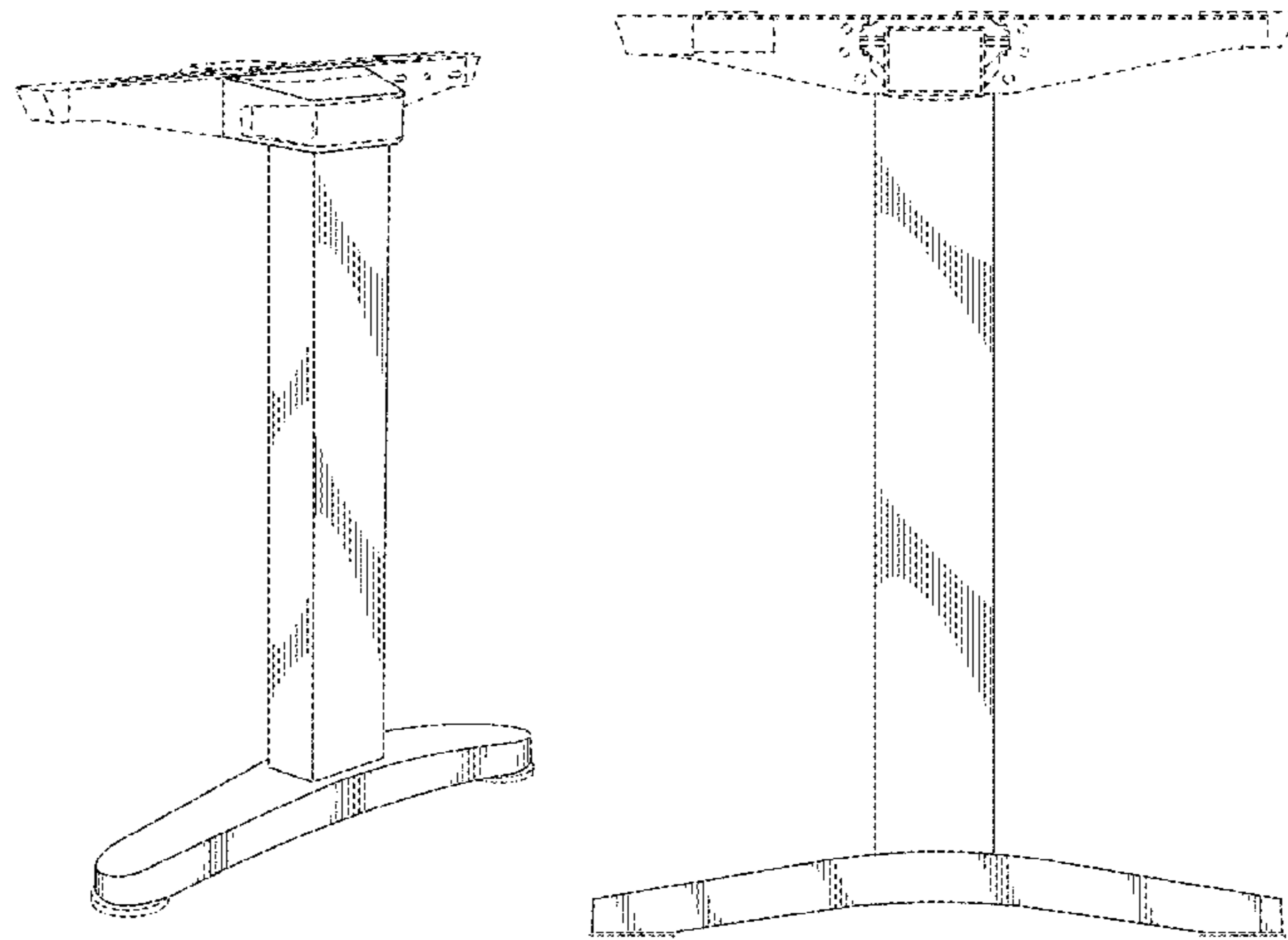
(57) **CLAIM**

We claim the ornamental design for a table leg, as shown and described.

**DESCRIPTION**

FIG. 1 is an elevational view of a first side of a table leg embodying the present invention;  
 FIG. 2 is a perspective view of a top, the first side and a rear of the table leg;  
 FIG. 3 is a perspective view of a top, a second side and the rear of the table leg;  
 FIG. 4 is a top plan view of the table leg; and,  
 FIG. 5 is an elevational view of the second side of the table leg.  
 The broken lines are for environmental purposes only and form no part of the claimed design.

**1 Claim, 5 Drawing Sheets**



(56)

**References Cited**

U.S. PATENT DOCUMENTS

D586,591 S 2/2009 Stoller  
D604,532 S 11/2009 Stoller  
D623,445 S 9/2010 Pai et al.  
7,798,454 B2 9/2010 Stoller

D640,075 S 6/2011 Petrick et al.  
D644,044 S \* 8/2011 Kitajima ..... D6/480  
D644,459 S 9/2011 Babick  
D644,860 S 9/2011 Saito  
D661,520 S 6/2012 Henriott et al.  
2002/0104464 A1 \* 8/2002 Isensee et al. .... 108/50.02

\* cited by examiner

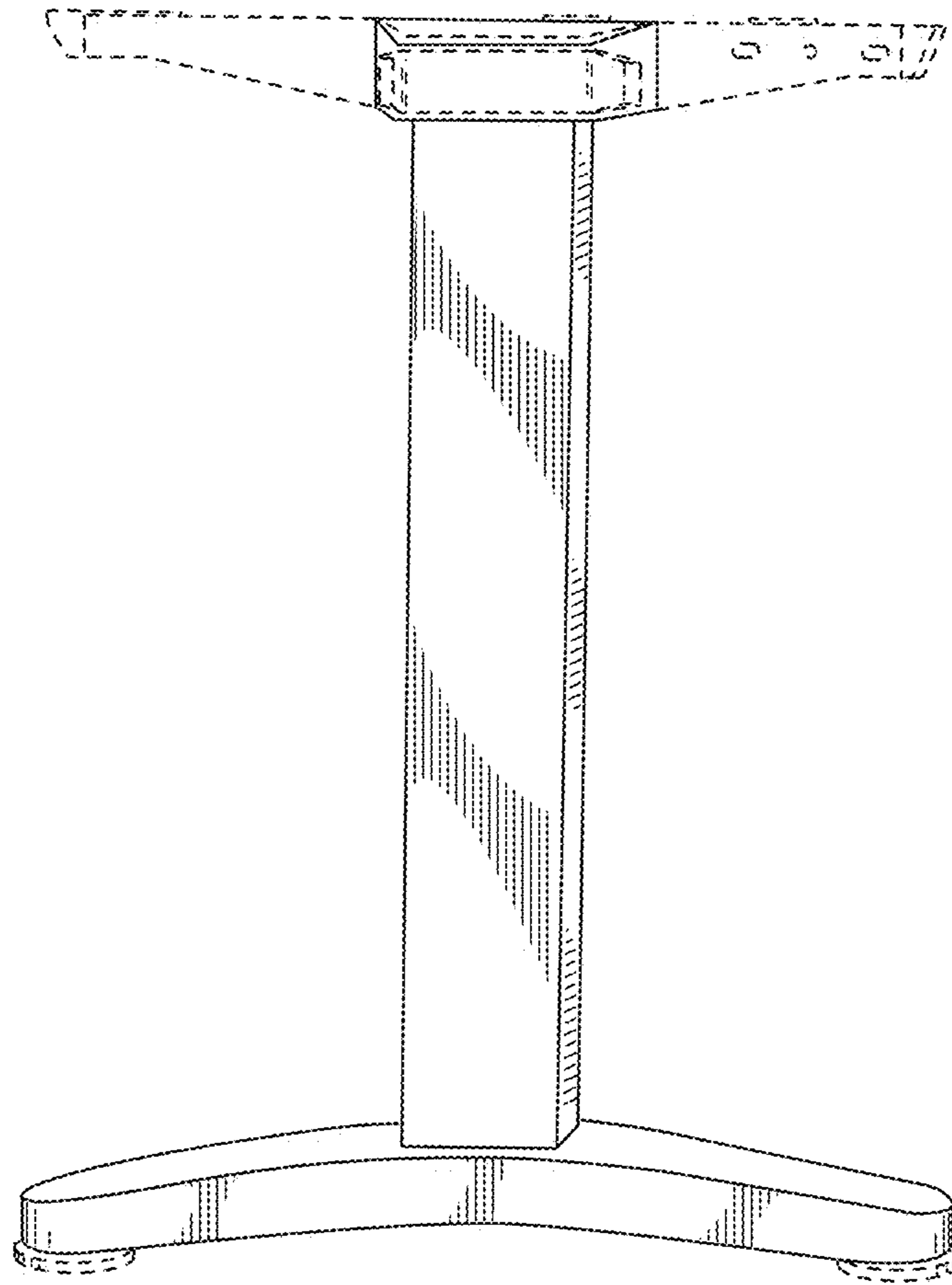


Fig. 1

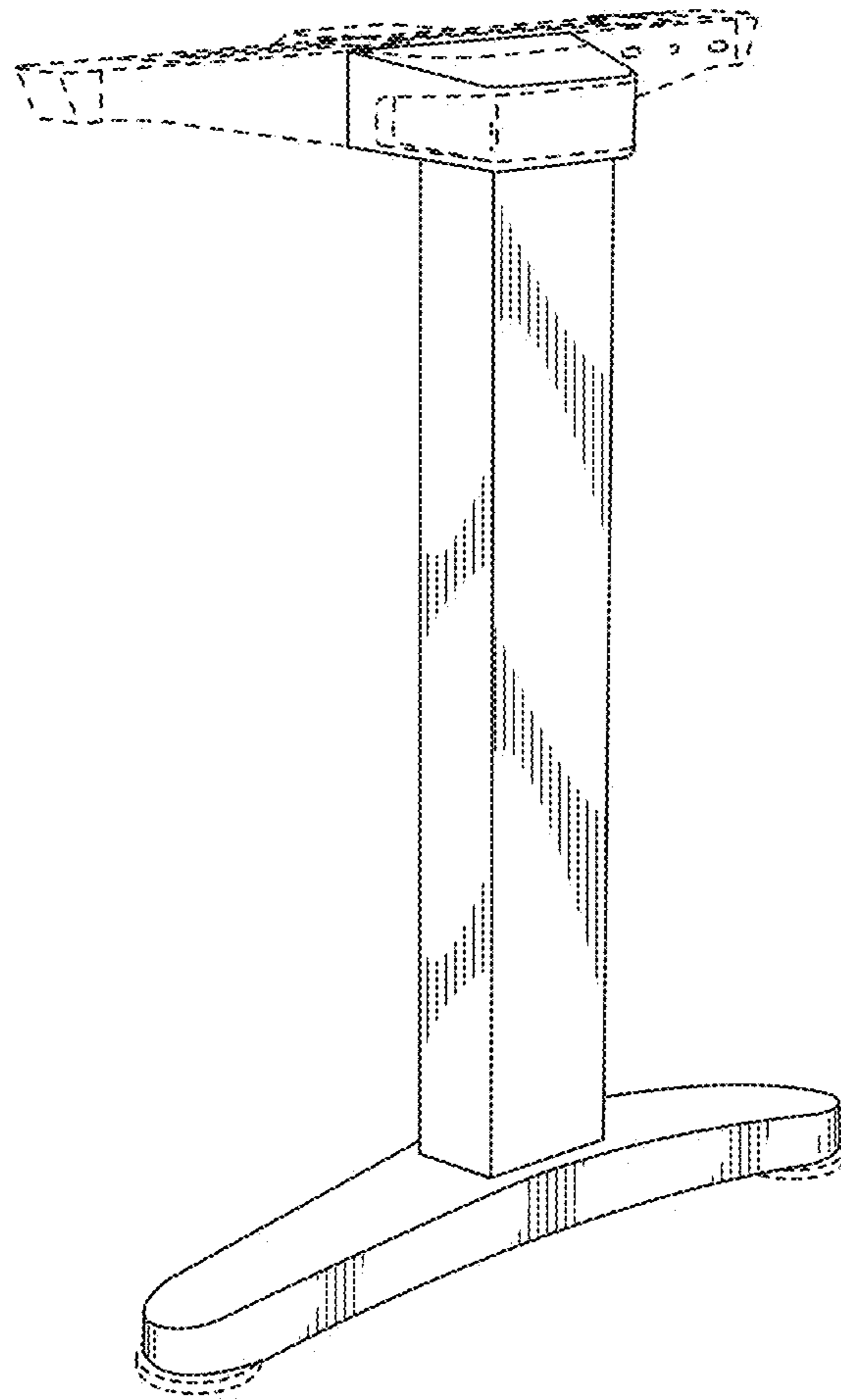


Fig. 2

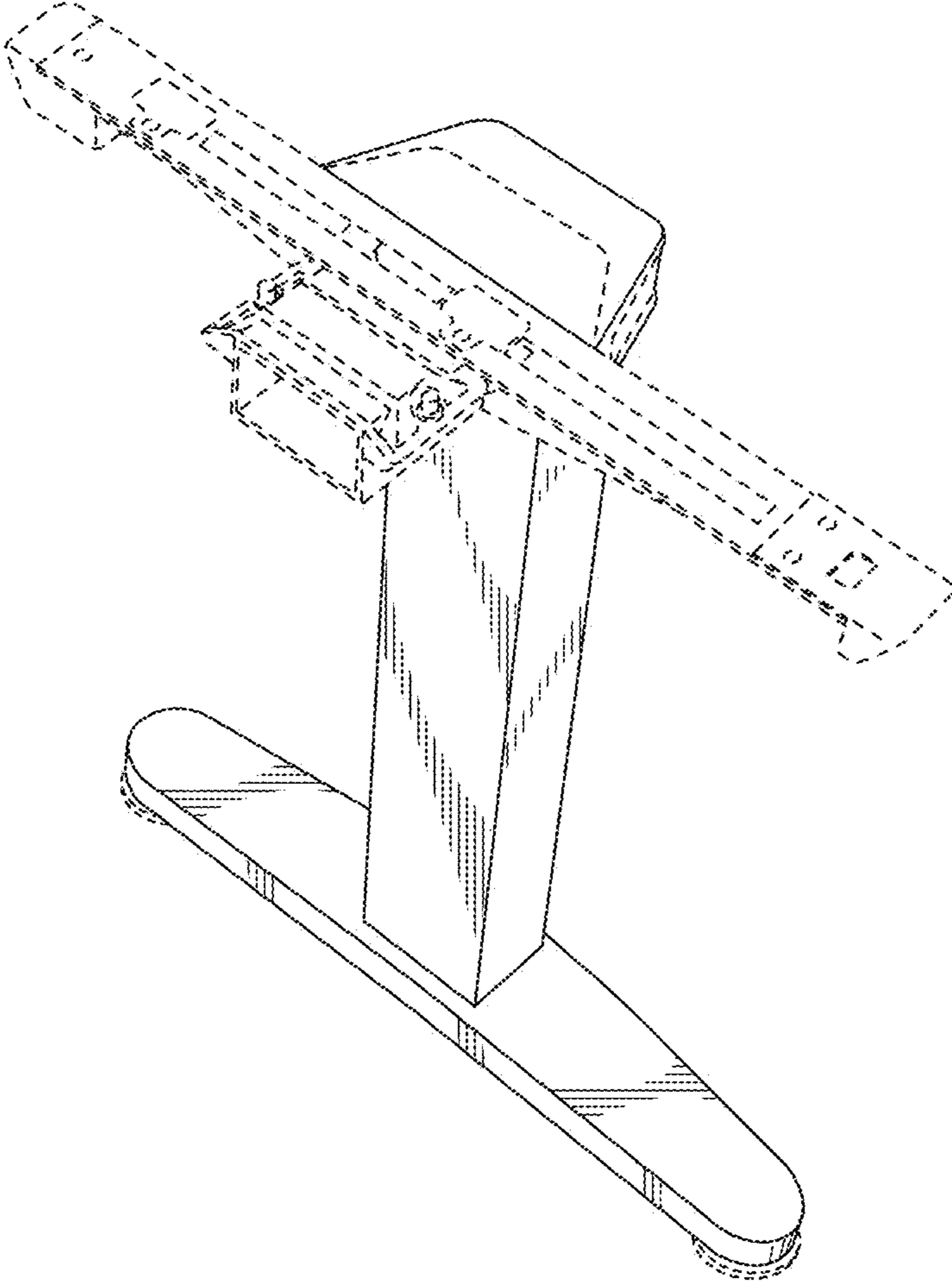


Fig. 3

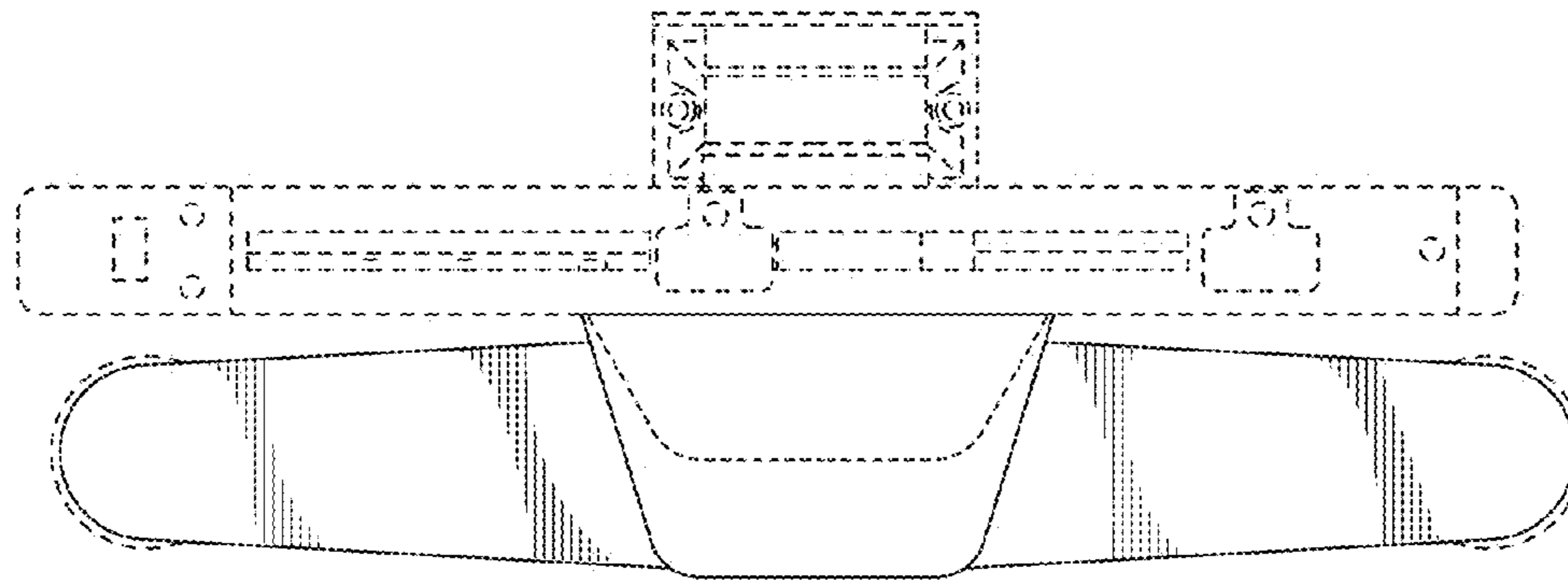


Fig. 4

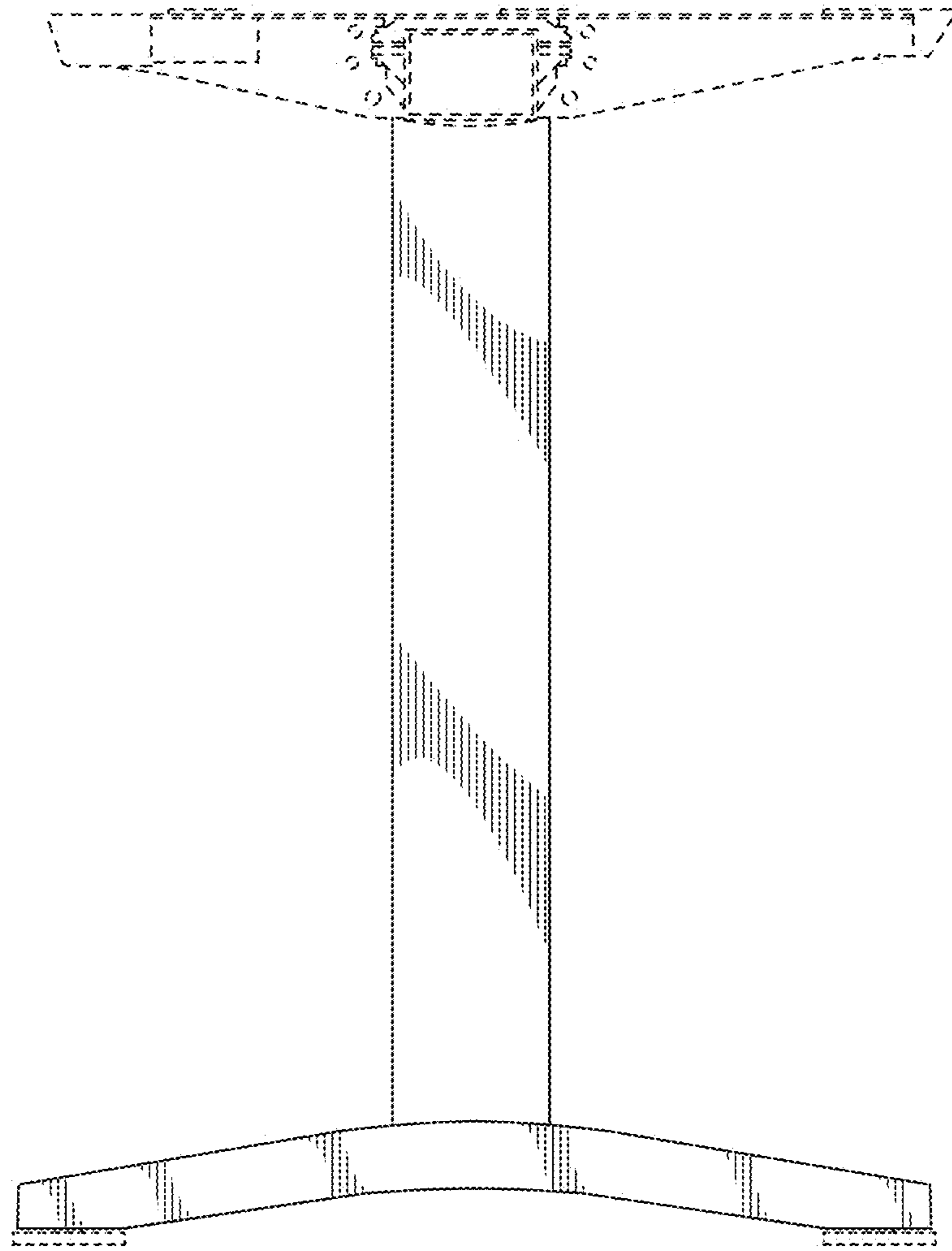


Fig. 5