



US00D723848S

(12) **United States Design Patent**
Mueller et al.

(10) **Patent No.:** **US D723,848 S**
(45) **Date of Patent:** **** Mar. 10, 2015**

- (54) **SET OF TABLE LEGS**
- (71) Applicant: **Steelcase Werndl AG**, Rosenheim (DE)
- (72) Inventors: **Karl-Heinz Mueller**, Prutting (DE);
John Small, London (GB)
- (73) Assignee: **Steelcase Werndl AG**, Rosenheim (DE)
- (**) Term: **14 Years**
- (21) Appl. No.: **29/500,982**
- (22) Filed: **Aug. 29, 2014**

4,679,510	A *	7/1987	Veyhl et al.	108/152
4,981,085	A *	1/1991	Watt	108/147
5,259,326	A	11/1993	Borgman et al.	
D360,325	S	7/1995	Gutgsell	
D372,135	S	7/1996	Lee et al.	
5,845,590	A *	12/1998	Seidl	108/147
6,360,675	B1 *	3/2002	Jones	108/50.02
D468,139	S	1/2003	Strong	
D517,355	S	3/2006	Strong	
D527,930	S	9/2006	Aslle et al.	
D529,734	S	10/2006	Astle et al.	
D553,883	S	10/2007	DeJule	
D644,046	S	8/2011	Cronk	
2004/0135045	A1 *	7/2004	Larson	248/188.1

* cited by examiner

Related U.S. Application Data

- (63) Continuation of application No. 29/450,630, filed on Mar. 20, 2013.

Primary Examiner — Janice Seeger

(74) *Attorney, Agent, or Firm* — Price Heneveld LLP

(30) **Foreign Application Priority Data**

Sep. 20, 2012 (EP) 001345474-0003

(51) **LOC (10) Cl.** **06-06**

(52) **U.S. Cl.**
USPC **D6/709**

(58) **Field of Classification Search**
USPC D6/702, 709, 656.16, 656.17;
108/50.01, 50.02, 153.1, 156, 157.1,
108/161, 144.11, 146, 147.19; 248/188,
248/188.1, 188.7, 188.8
See application file for complete search history.

(57) **CLAIM**

The ornamental design for a set of table legs, as shown and described.

DESCRIPTION

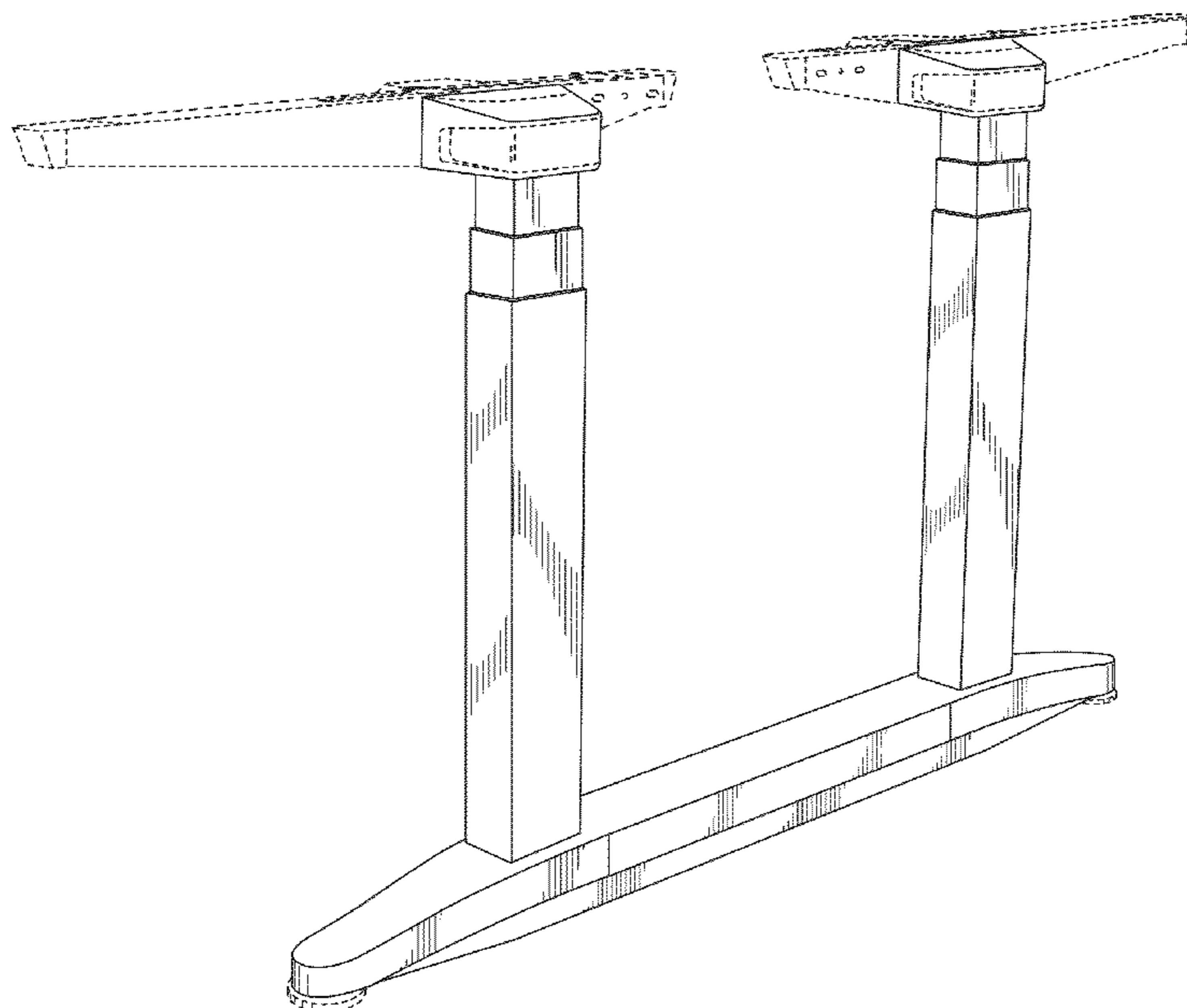
FIG. 1 is a front view of a set of table legs according to our new ornamental design;
FIG. 2 is a front perspective view thereof;
FIG. 3 is a fragmentary top perspective view thereof;
FIG. 4 is a fragmentary top view thereof;
FIG. 5 is a rear view thereof;
FIG. 6 is another front perspective view thereof, similar to FIG. 2, but with the left leg in a raised position; and,
FIG. 7 is another top perspective view thereof, similar to FIG. 3, but with the left leg in a raised position.
The broken lines are for environmental purposes only and form no part of the claimed design.

(56) **References Cited**

U.S. PATENT DOCUMENTS

D237,660 S 11/1975 Bertleson
D248,139 S 6/1978 Petersen

1 Claim, 7 Drawing Sheets



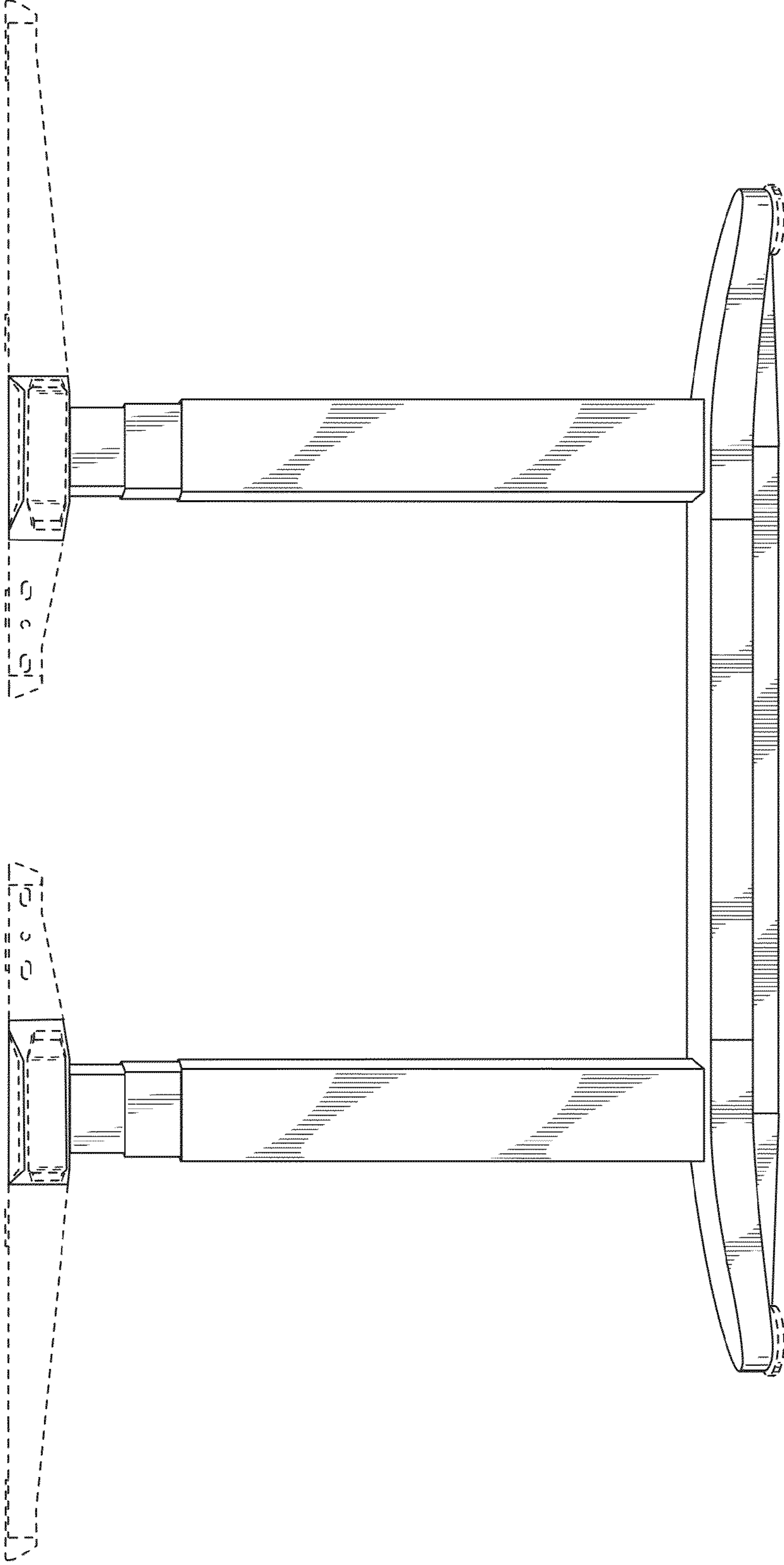


Fig. 1

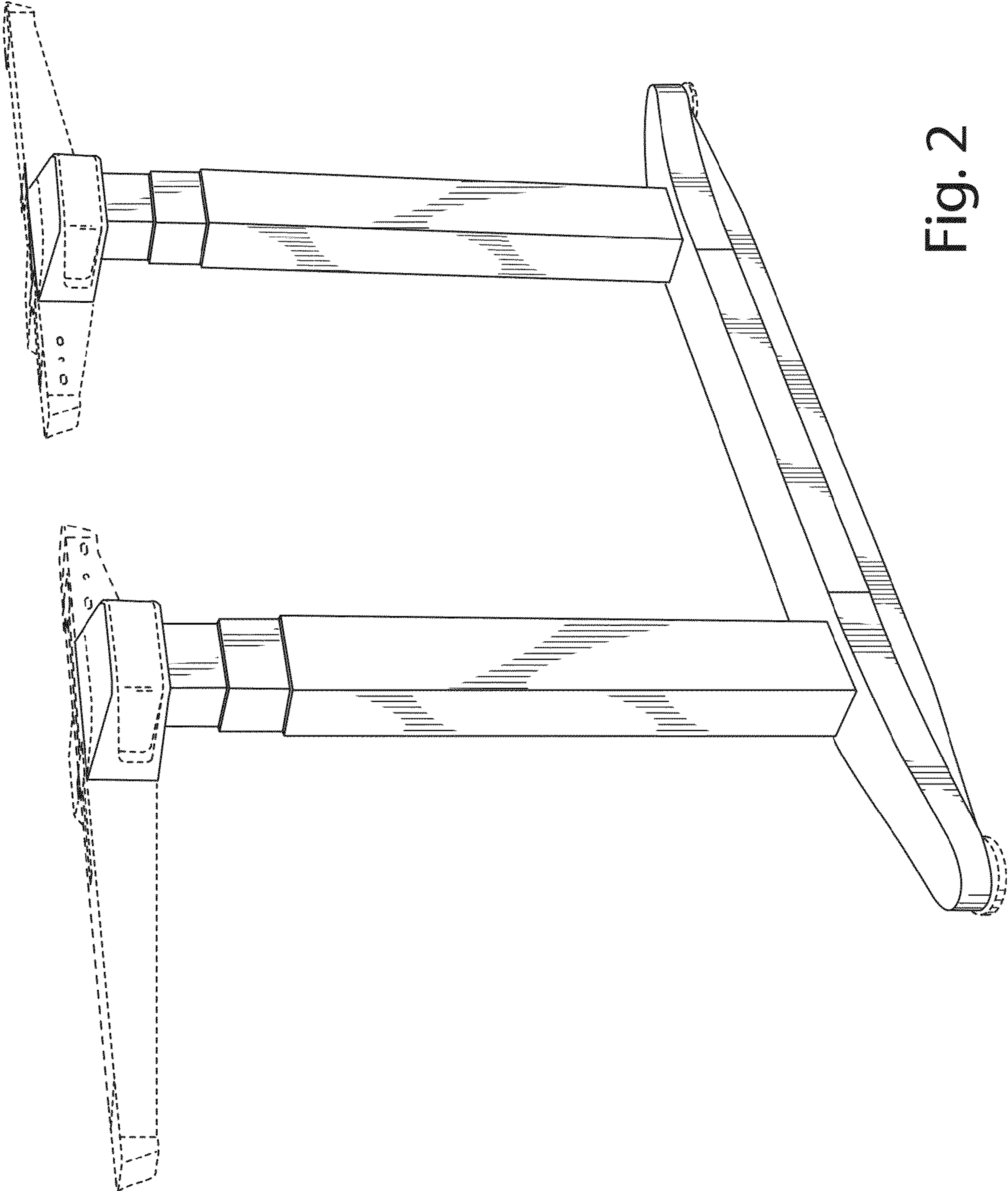


Fig. 2

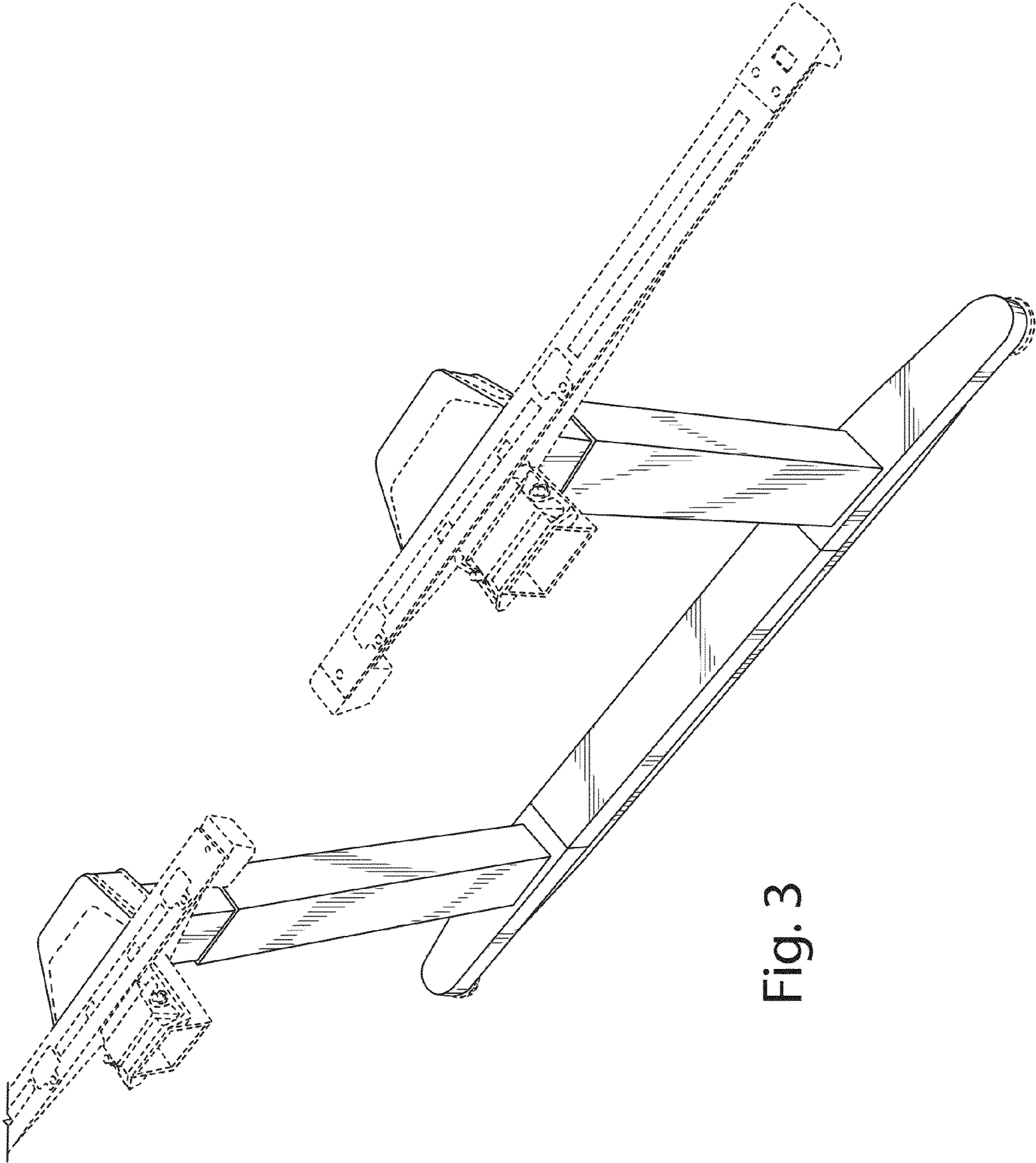


Fig. 3

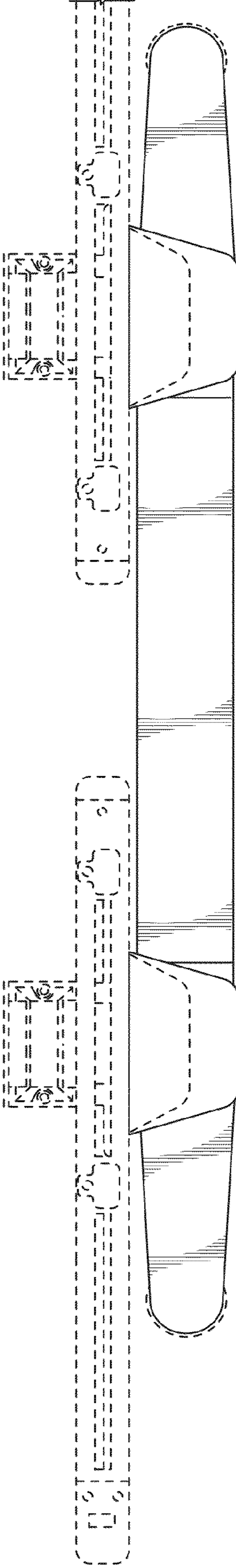


Fig. 4

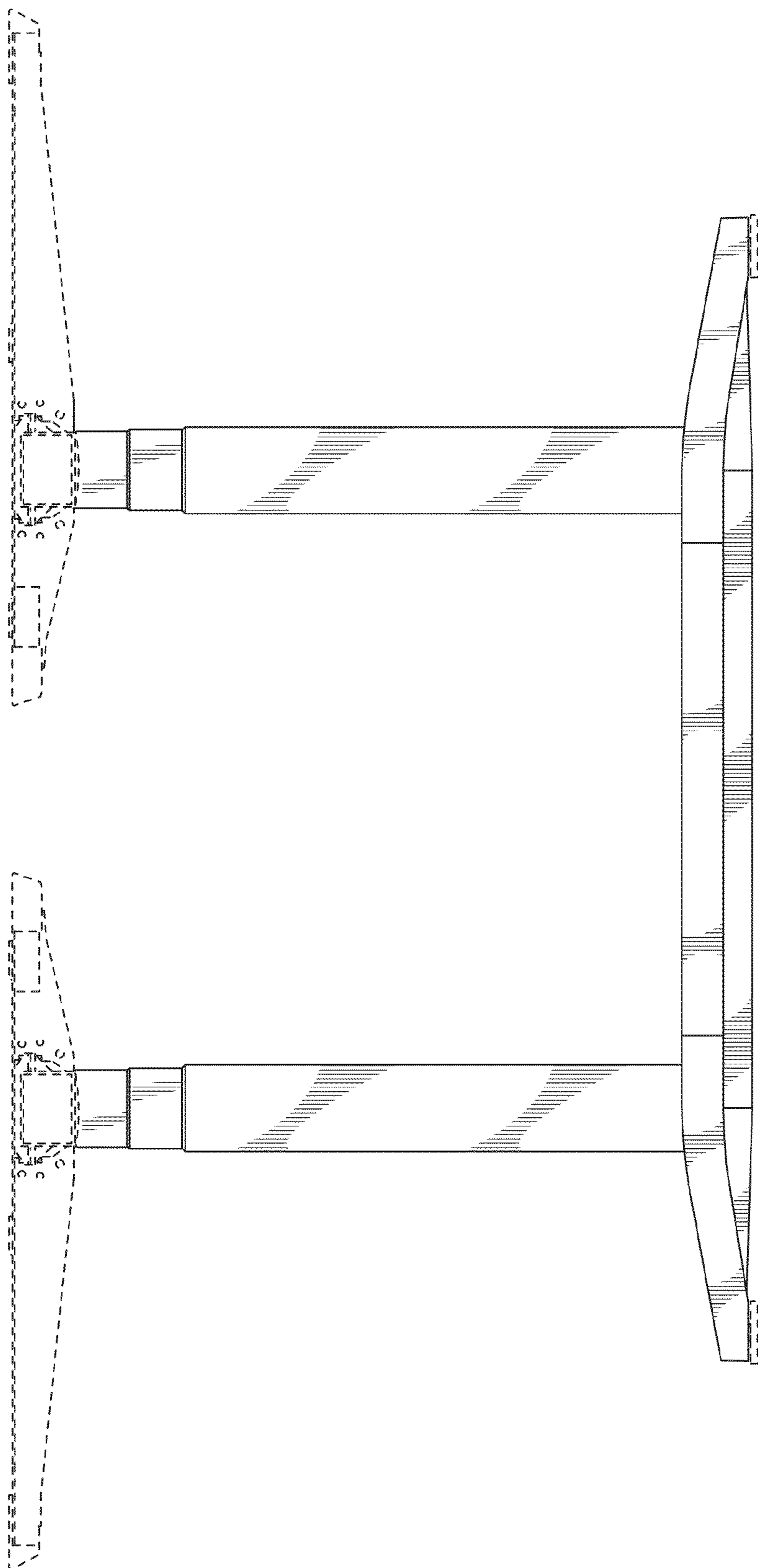


Fig. 5

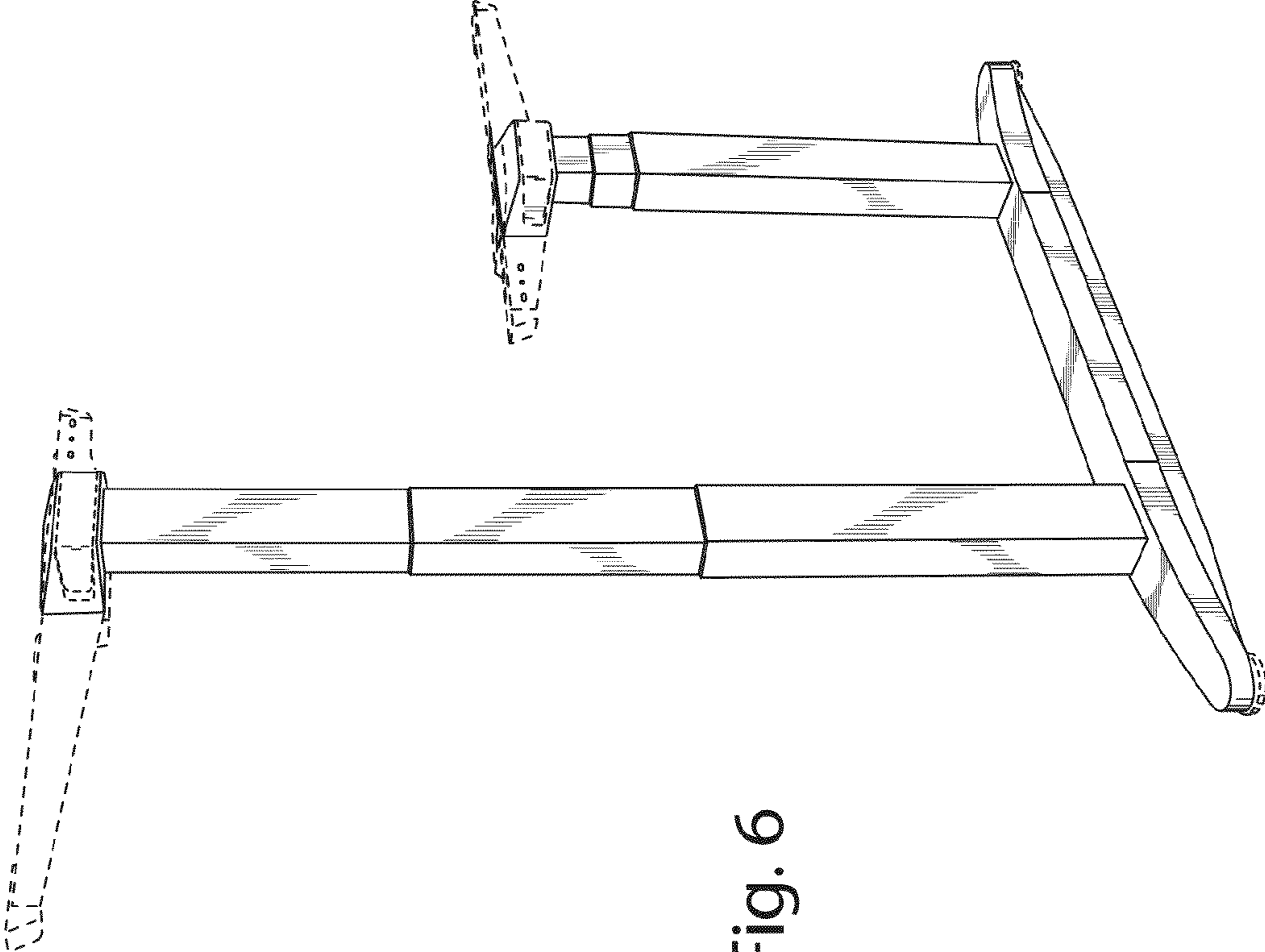


Fig. 6

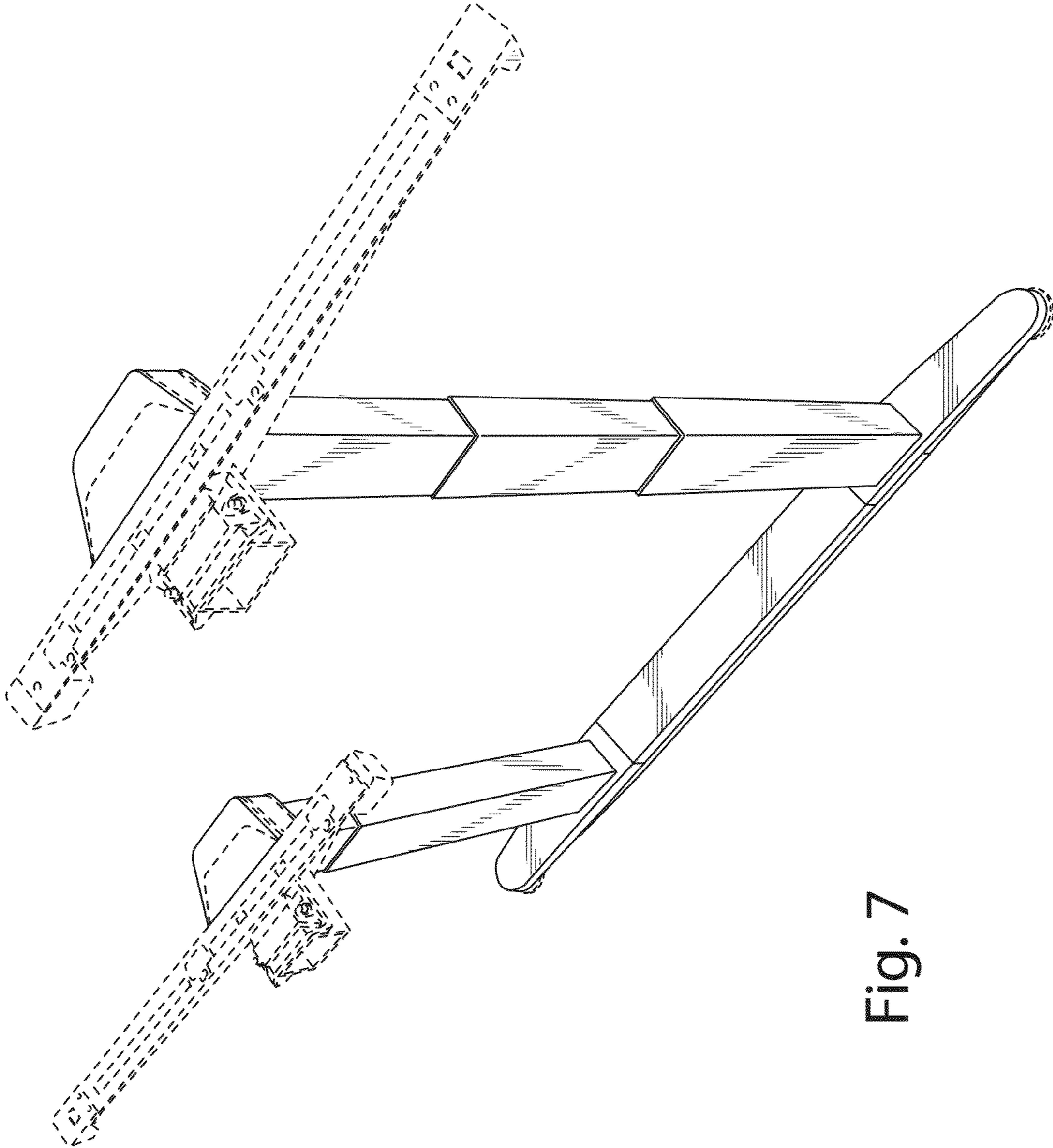


Fig. 7