



US00D723847S

(12) **United States Design Patent**
Putnam

(10) **Patent No.:** **US D723,847 S**
(45) **Date of Patent:** **** Mar. 10, 2015**

(54) **FURNITURE LEGS**

(71) Applicant: **Integra, Inc.**, Walworth, WI (US)

(72) Inventor: **Monroe Putnam**, Delavan, WI (US)

(73) Assignee: **Integra, Inc.**, Walworth, WI (US)

(**) Term: **14 Years**

(21) Appl. No.: **29/447,603**

(22) Filed: **Mar. 5, 2013**

(51) **LOC (10) Cl.** **06-01**

(52) **U.S. Cl.**

USPC **D6/709**

(58) **Field of Classification Search**

CPC A47C 17/00; A47C 17/02; A47C 17/12;
A47C 17/18; A47C 7/021; A47C 31/00;
A47C 3/16

USPC D6/334, 335, 336, 379, 381, 369, 364,
D6/365, 366, 708.22, 708.23, 708.24, 709,
D6/710; 297/94, 118, 232, 445.1, 448.1,
297/DIG. 7

See application file for complete search history.

(56) **References Cited**

U.S. PATENT DOCUMENTS

513,170 A	1/1894	Armstrong
3,801,122 A	4/1974	Shoemaker et al.
3,848,924 A	11/1974	Shoemaker et al.
4,212,495 A	7/1980	Gall
4,679,509 A	7/1987	Sampson, Jr.
4,839,938 A	6/1989	Coggin et al.
5,335,972 A	8/1994	Jensen

(Continued)

OTHER PUBLICATIONS

WEBB by Burkhard Vogtherr, www.archiexpo.com, dated Jan. 13, 2012.

(Continued)

Primary Examiner — Sandra Snapp

(74) *Attorney, Agent, or Firm* — Ryan Kromholz & Manion, S.C.

(57) **CLAIM**

The ornamental design for furniture legs, as shown and described.

DESCRIPTION

FIG. 1 is a perspective view of a first embodiment of furniture legs;

FIG. 2 is a front elevation view;

FIG. 3 is a rear elevation view;

FIG. 4 is a right side elevation view;

FIG. 5 is a left side elevation view;

FIG. 6 is a bottom plan view;

FIG. 7 is a top plan view;

FIG. 8 is a perspective view of a second embodiment of furniture legs;

FIG. 9 is a front elevation view;

FIG. 10 is a rear elevation view;

FIG. 11 is a right side elevation view;

FIG. 12 is a left side elevation view;

FIG. 13 is a bottom plan view;

FIG. 14 is a top plan view;

FIG. 15 is a perspective view of a third embodiment of furniture legs;

FIG. 16 is a front elevation view;

FIG. 17 is a rear elevation view;

FIG. 18 is a right side elevation view;

FIG. 19 is a left side elevation view;

FIG. 20 is a bottom plan view;

FIG. 21 is a top plan view;

FIG. 22 is a perspective view of a fourth embodiment of furniture legs;

FIG. 23 is a front elevation view;

FIG. 24 is a rear elevation view;

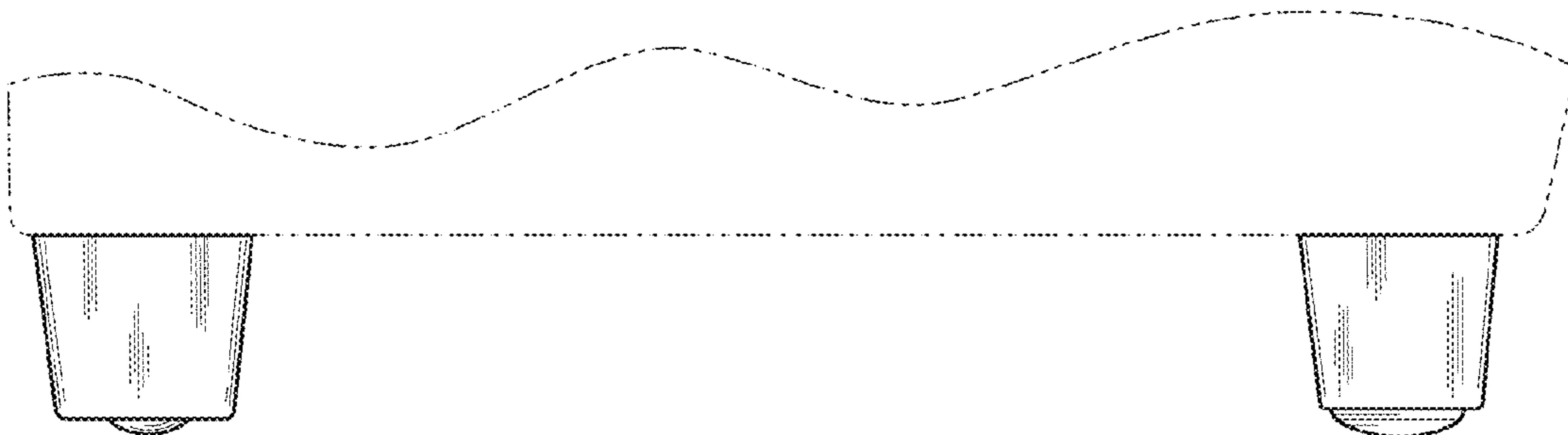
FIG. 25 is a right side elevation view;

FIG. 26 is a left side elevation view;

FIG. 27 is a bottom plan view; and,

FIG. 28 is a top plan view.

1 Claim, 8 Drawing Sheets



(56)

References Cited

U.S. PATENT DOCUMENTS

5,749,121 A 5/1998 Loescher
D433,825 S 11/2000 Piretti
6,352,302 B1 3/2002 Piretti, Jr.
D486,726 S 2/2004 Bushey
6,883,763 B2 4/2005 Bosman et al.
6,948,777 B2 9/2005 Marshall et al.
7,207,629 B2 4/2007 Goetz et al.
D547,090 S * 7/2007 Natuzzi D6/381
D551,463 S * 9/2007 Natuzzi D6/381
D592,878 S * 5/2009 Natuzzi D6/381
D592,884 S * 5/2009 Natuzzi D6/381
D600,038 S * 9/2009 Natuzzi D6/381
D618,929 S * 7/2010 Yeong D6/381

7,810,769 B2 10/2010 Williams
2005/0060840 A1 3/2005 Polevoy et al.
2007/0074372 A1 4/2007 Polevoy et al.
2008/0042023 A1 2/2008 Williams
2008/0197586 A1 8/2008 Chen

OTHER PUBLICATIONS

Archiexpo Website, Commercial armchair with casters—
Loewenstein Evolution 491, dated Jan. 13, 2012.
Archiexpo Website, Commercial armchair with casters—Diwar Flex
SS190010, dated Jan. 13, 2012.
Product webpage for Celeste Seating, www.hermanmiller.com, dated
Jan. 13, 2012.

* cited by examiner

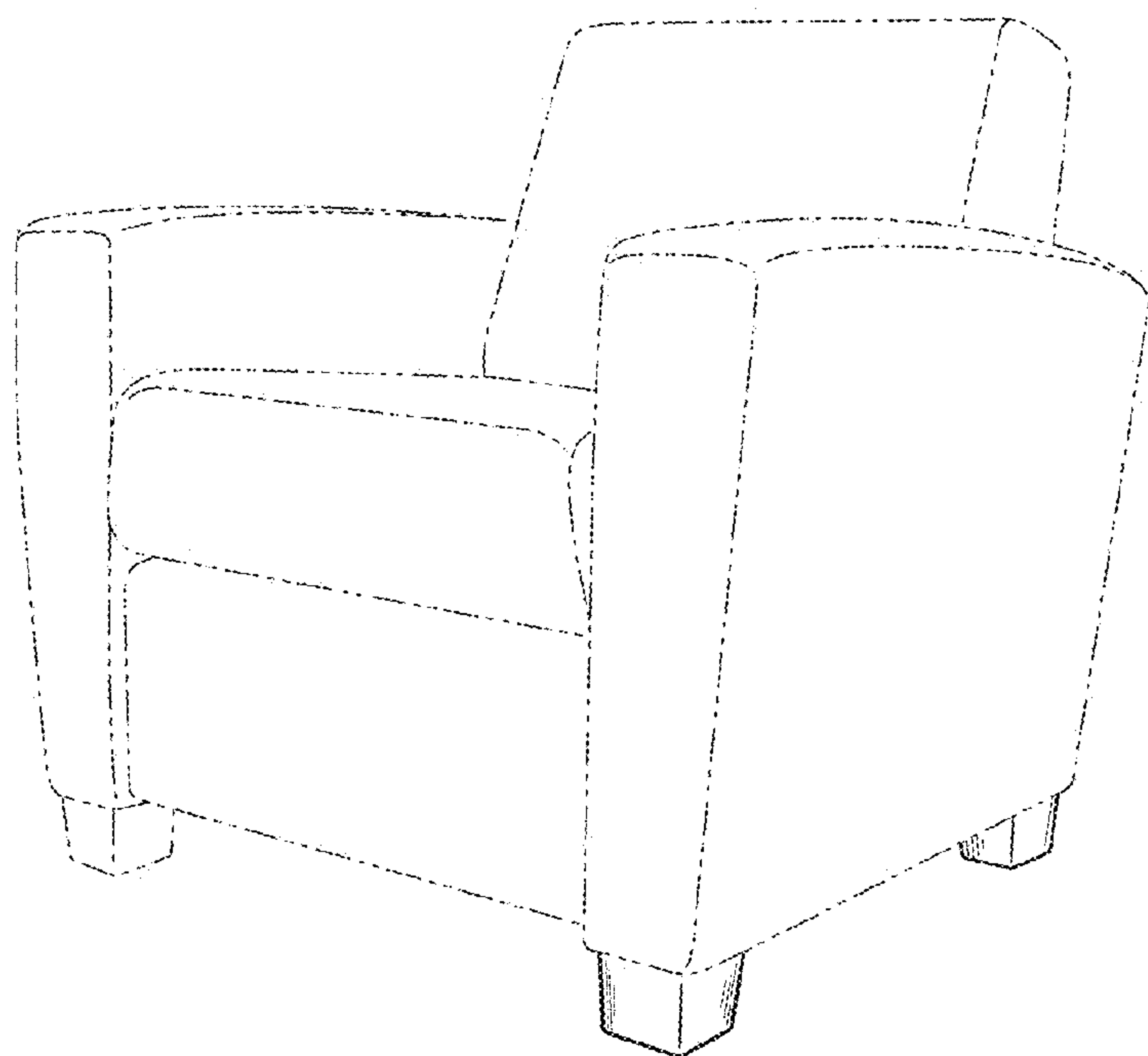


Fig. 1

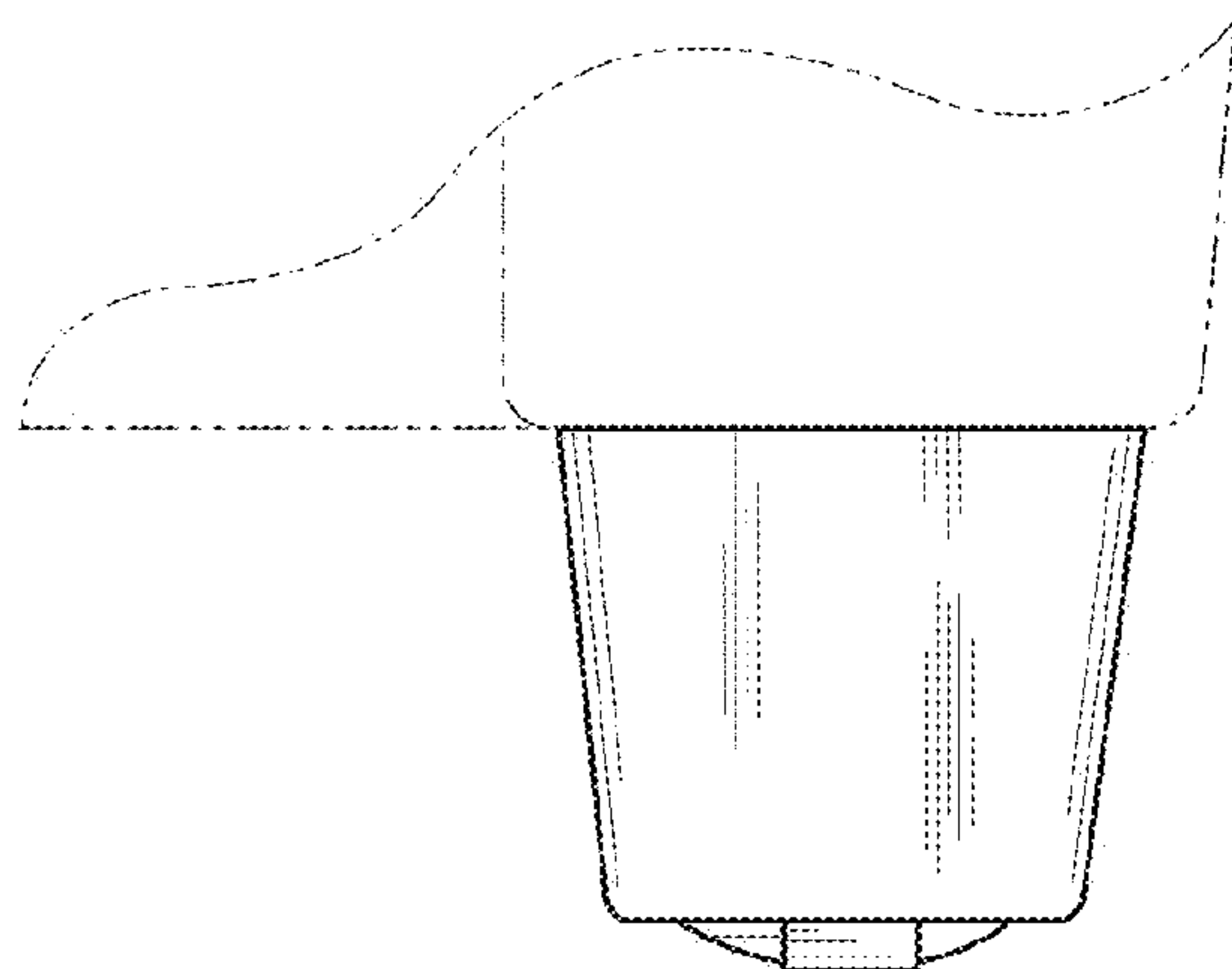


Fig. 2

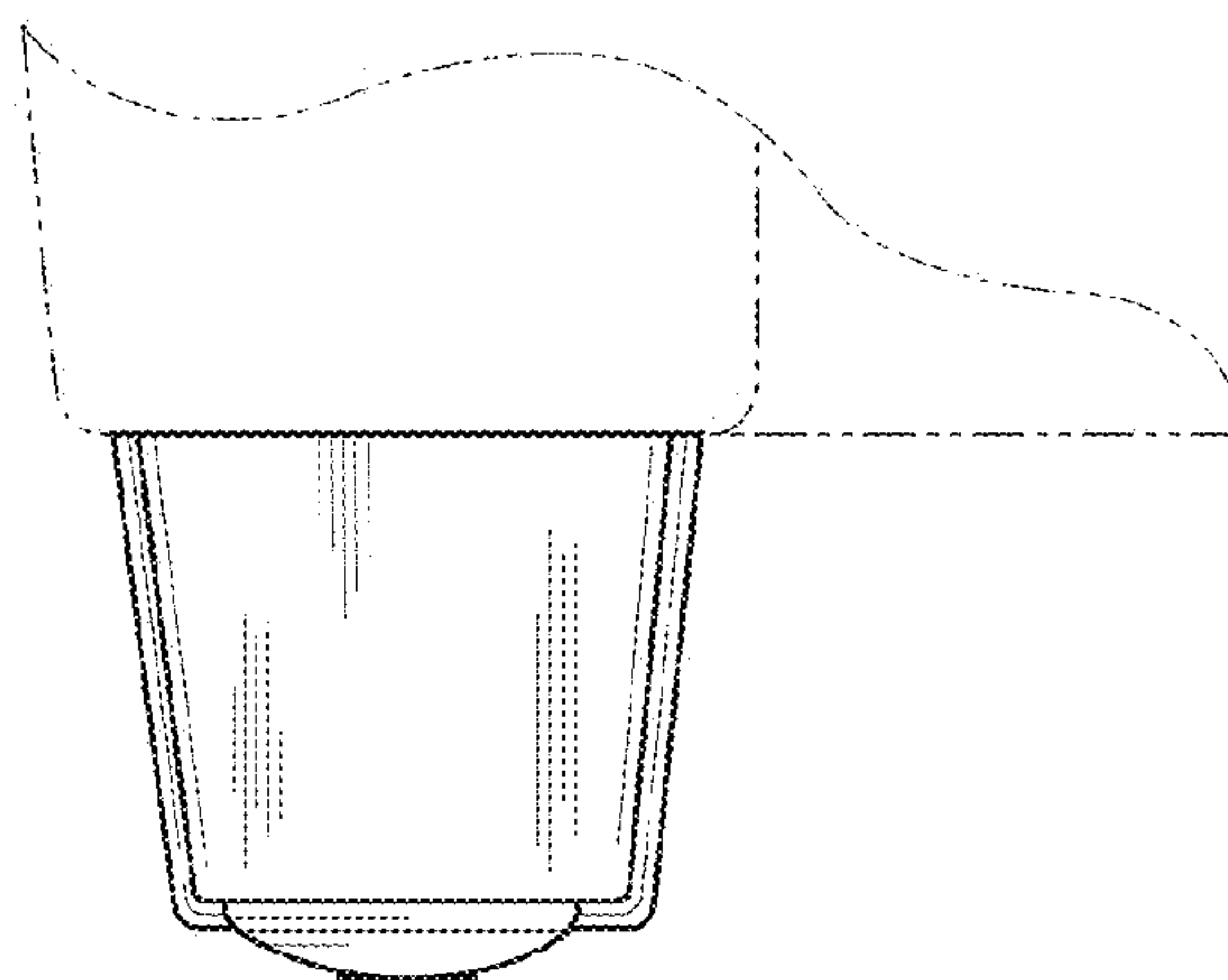


Fig. 3



Fig. 4

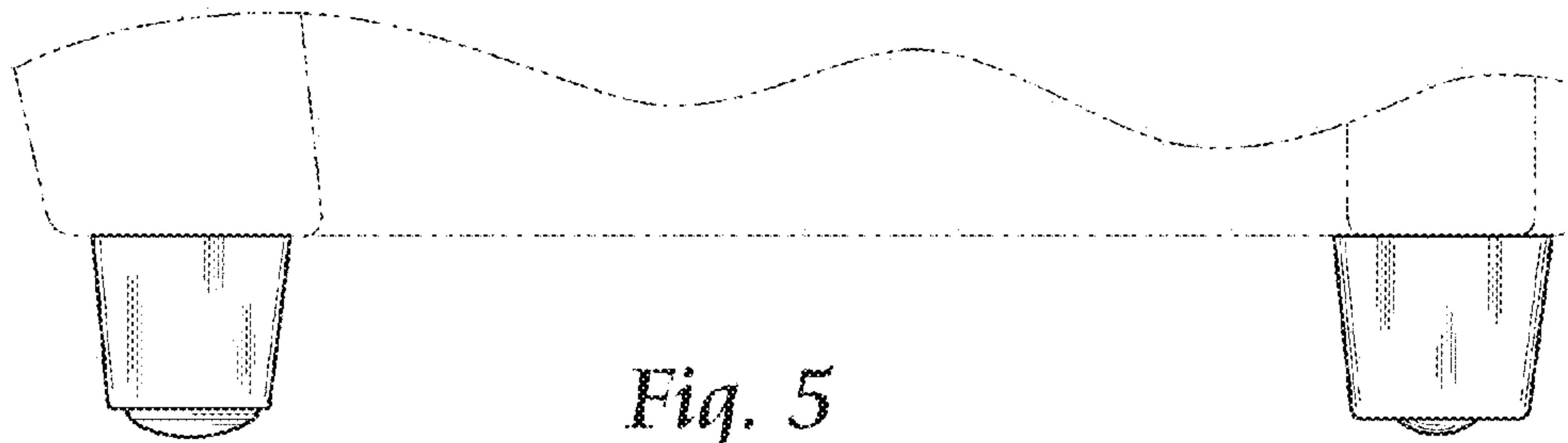


Fig. 5

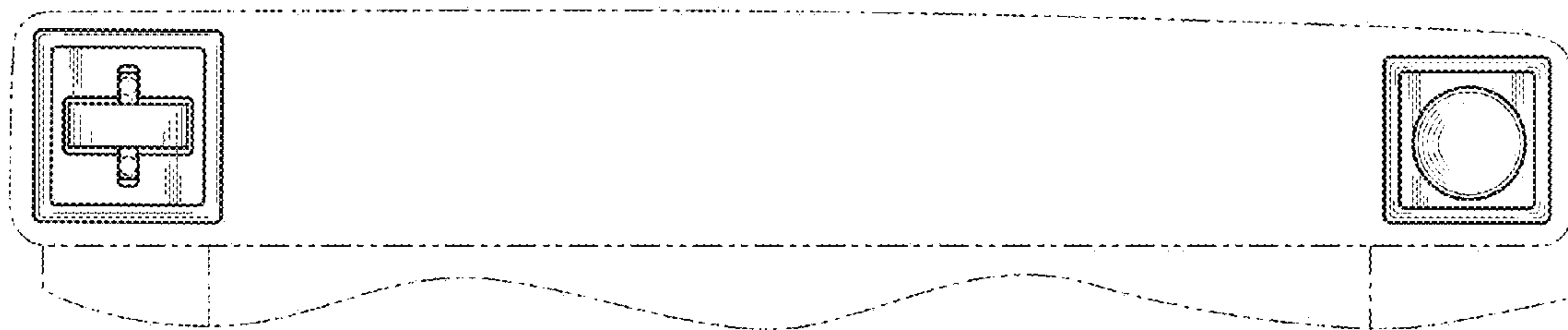


Fig. 6

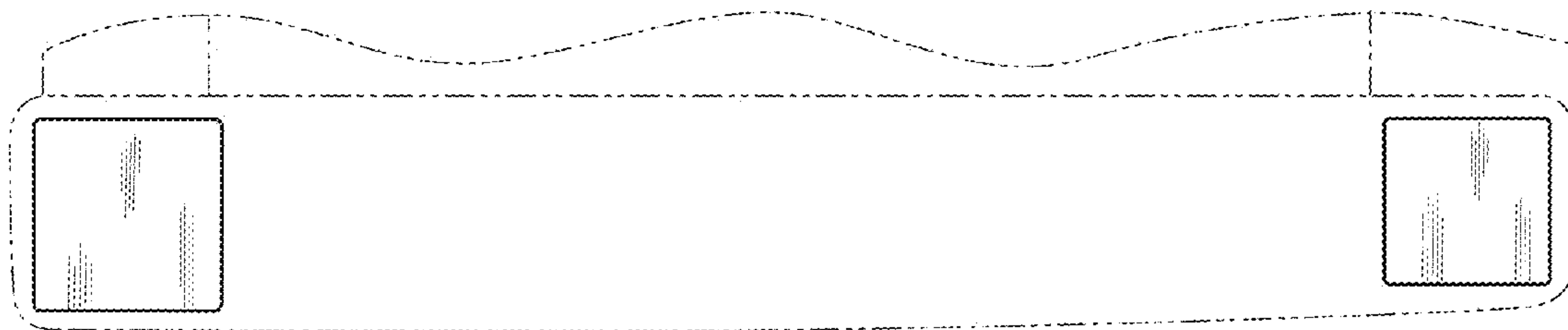


Fig. 7

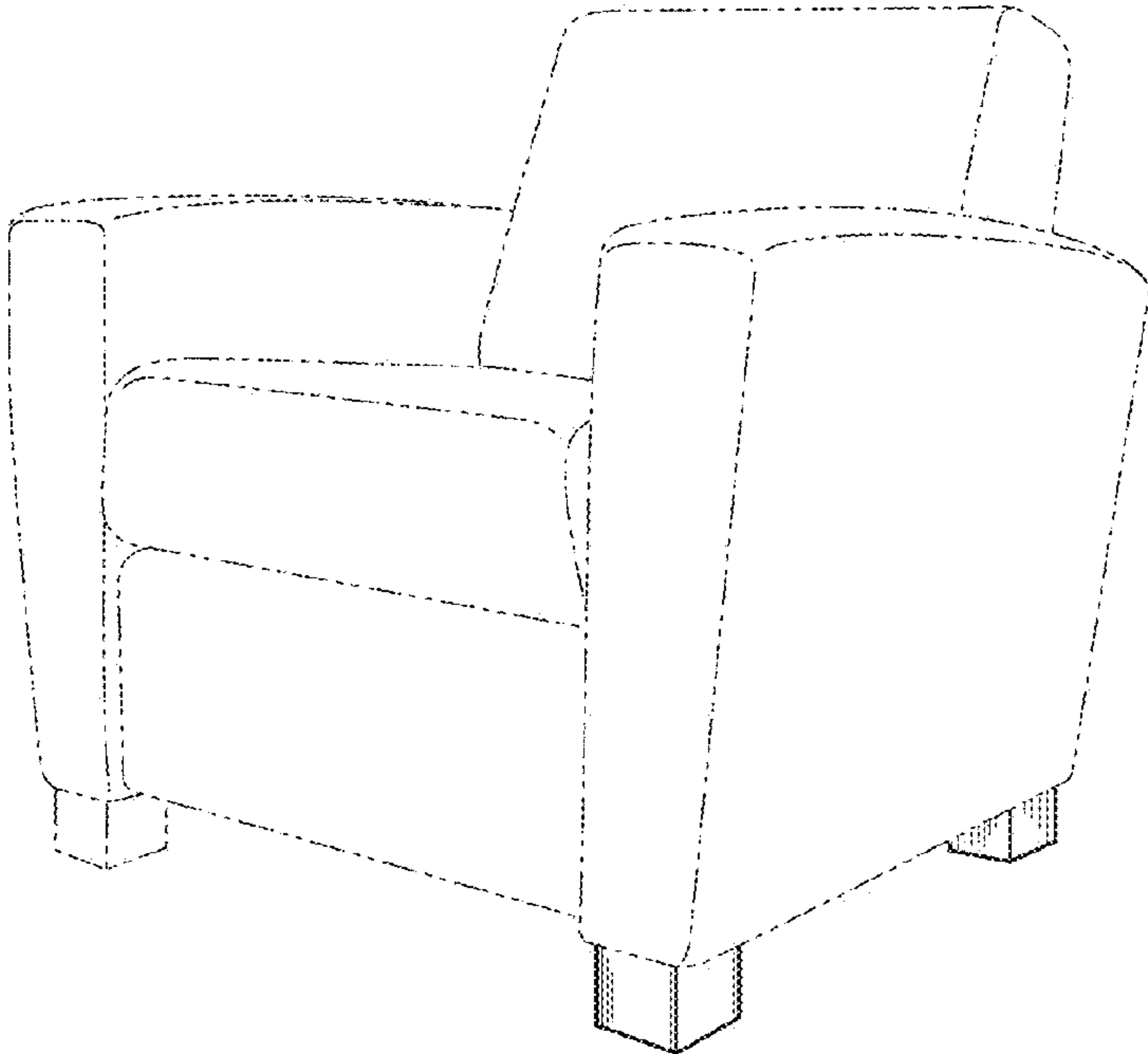


Fig. 8

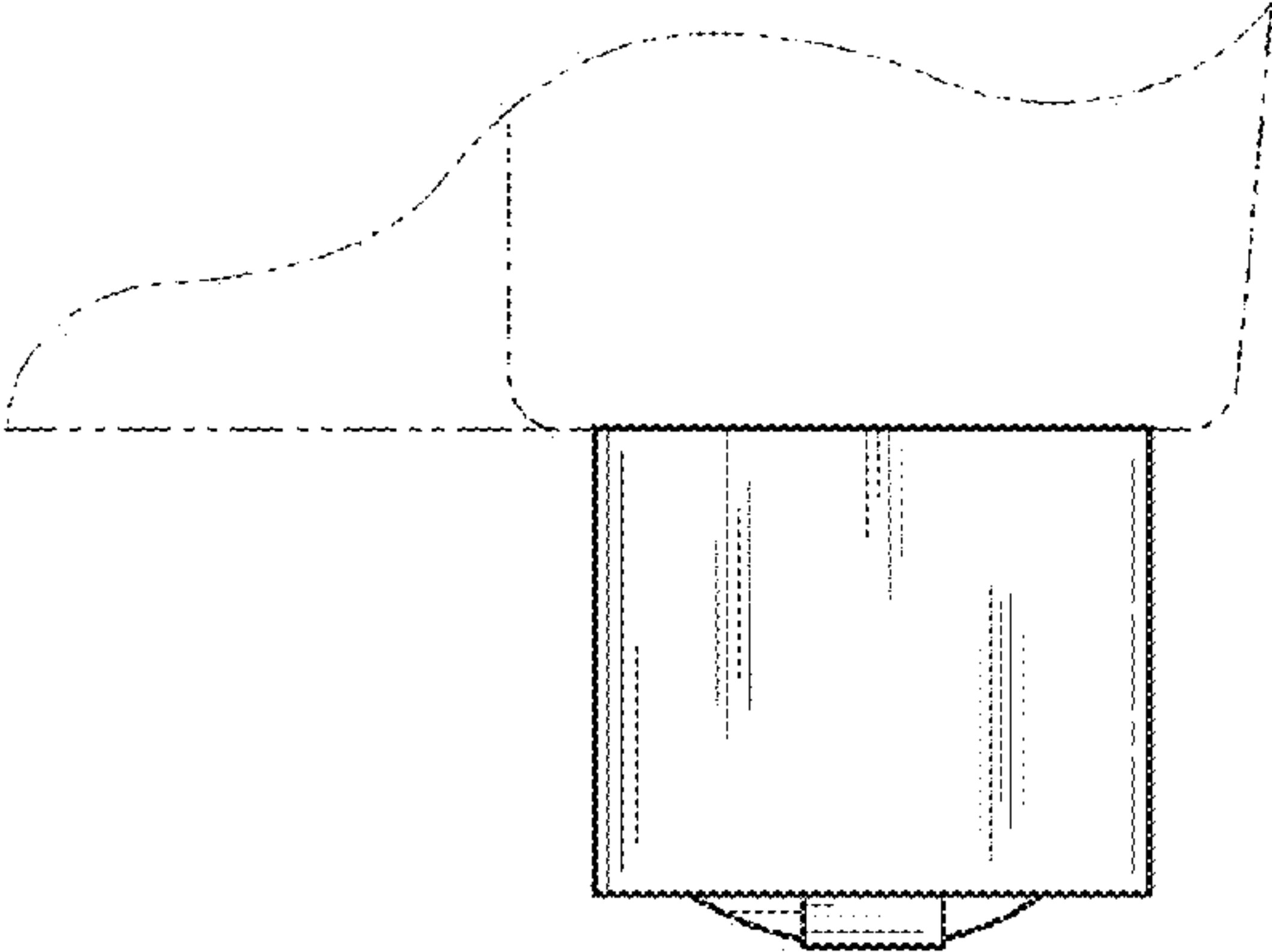


Fig. 9

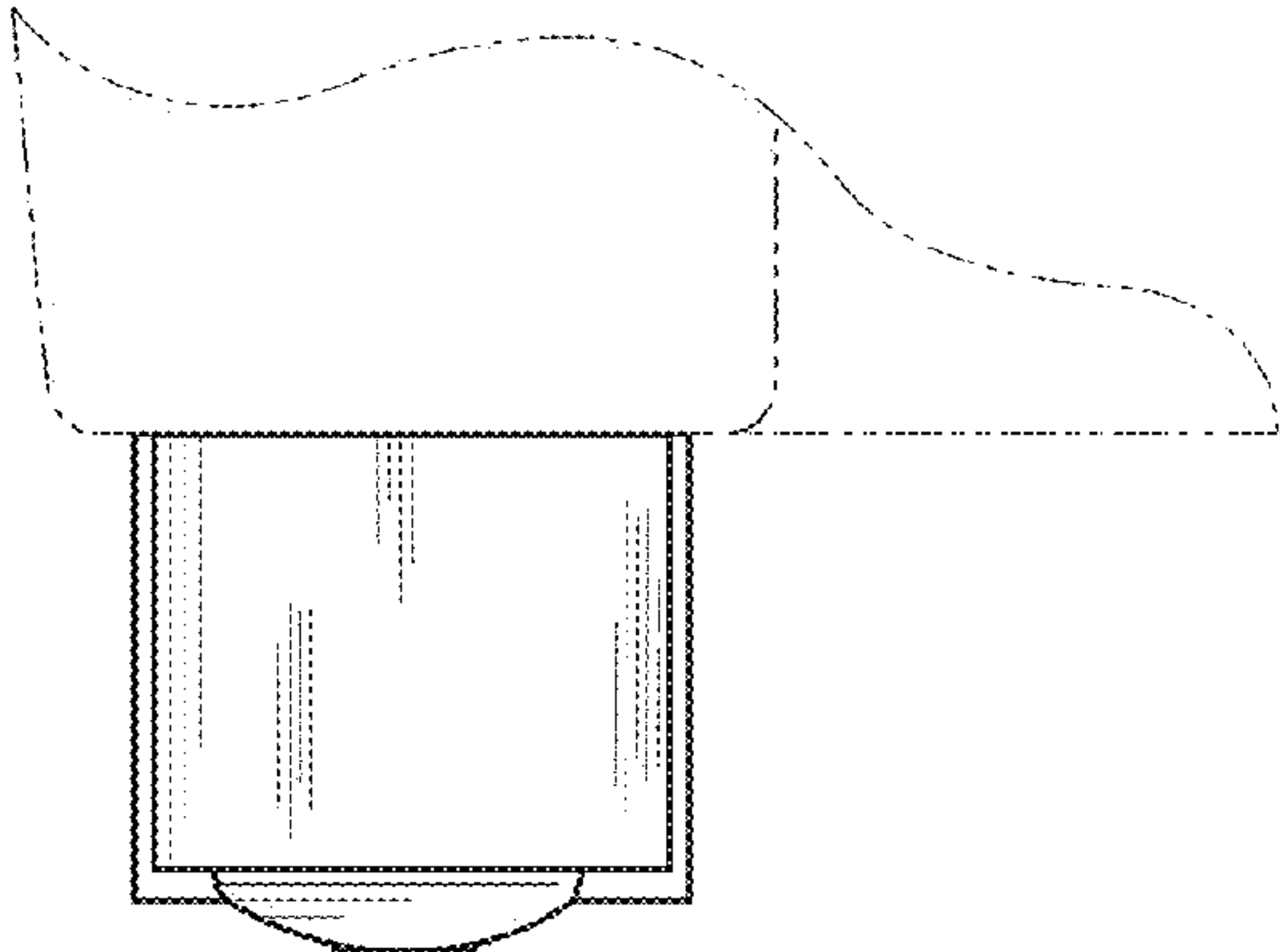


Fig. 10

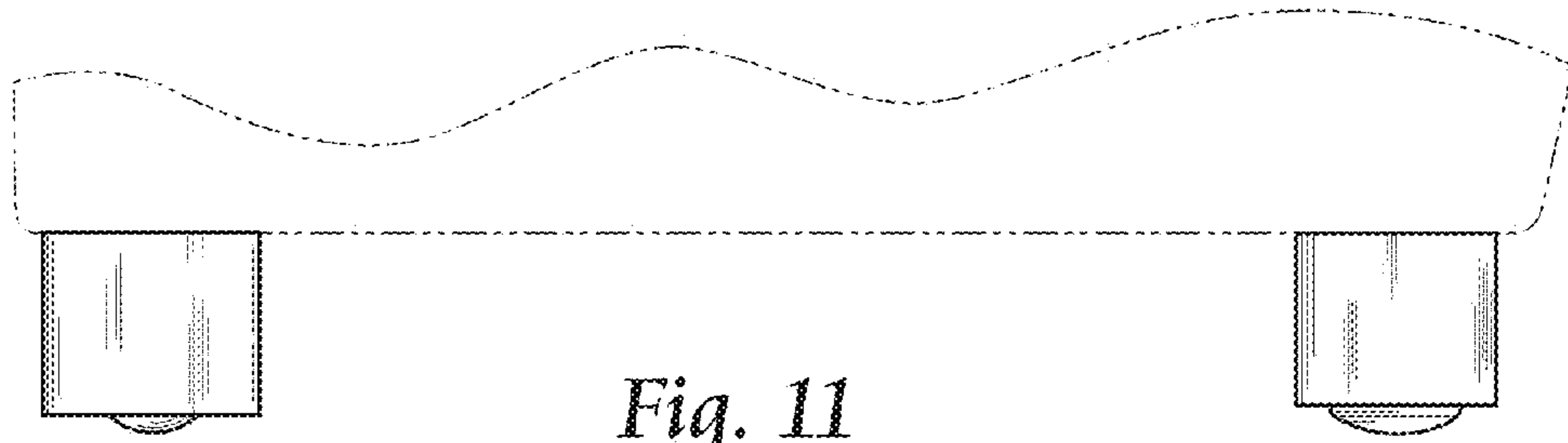


Fig. 11

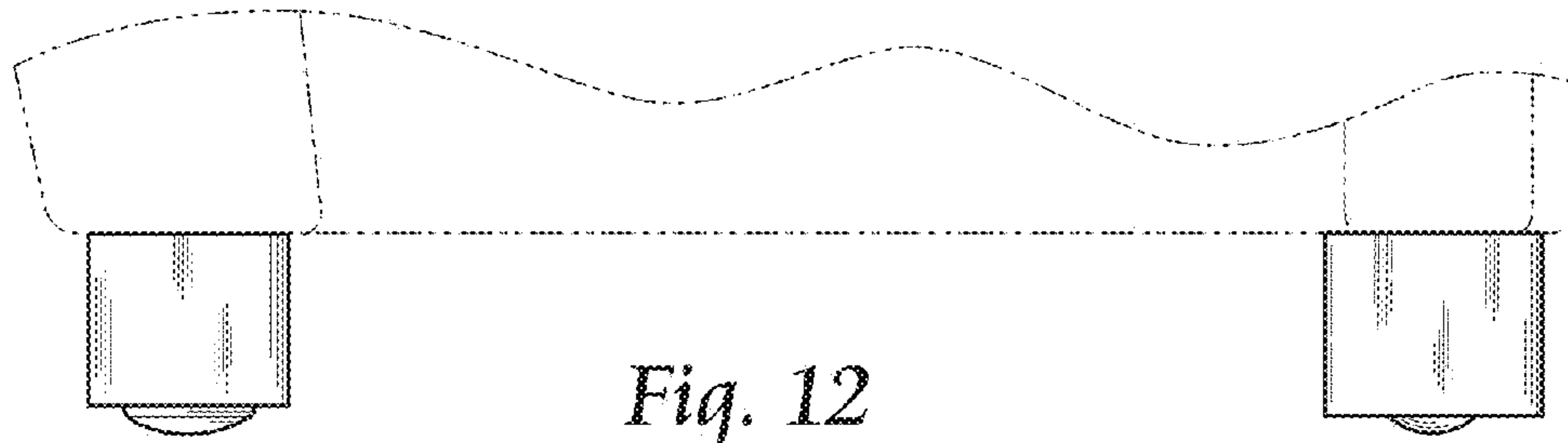


Fig. 12

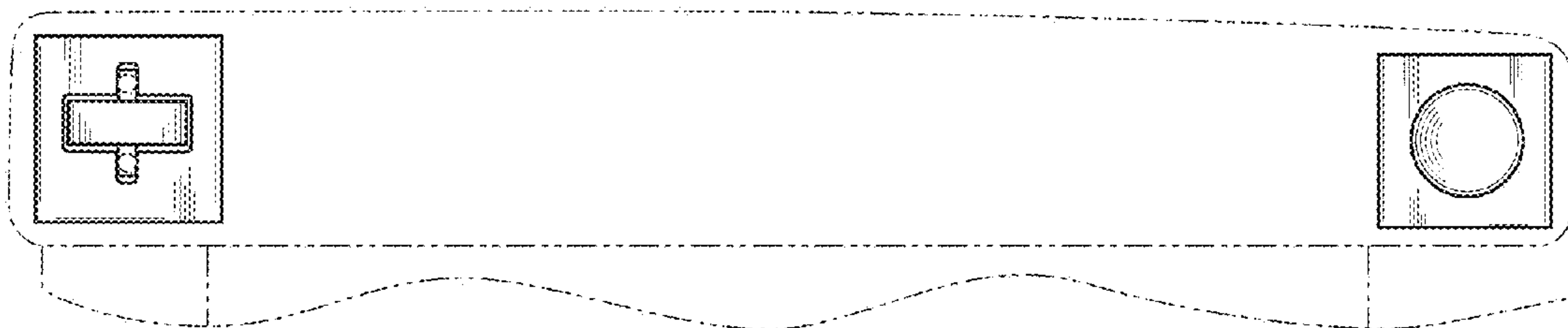


Fig. 13

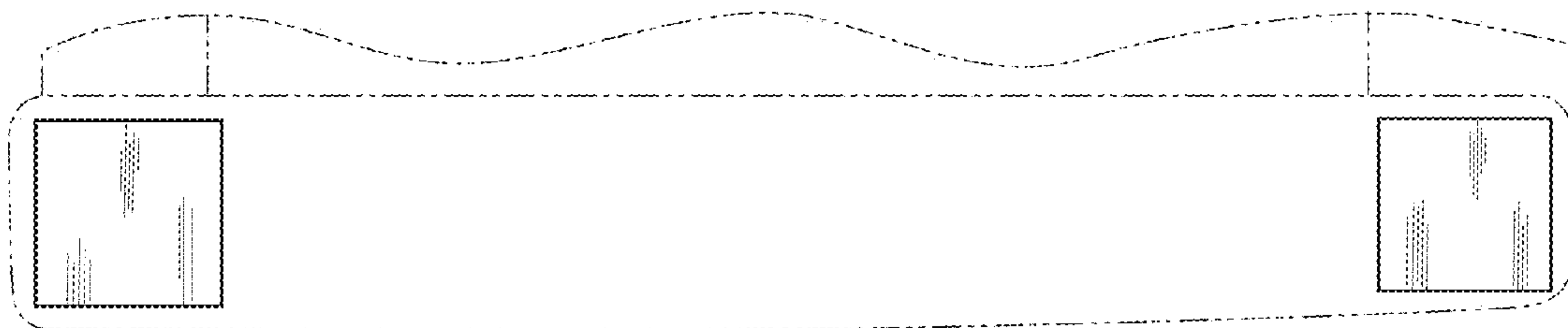


Fig. 14

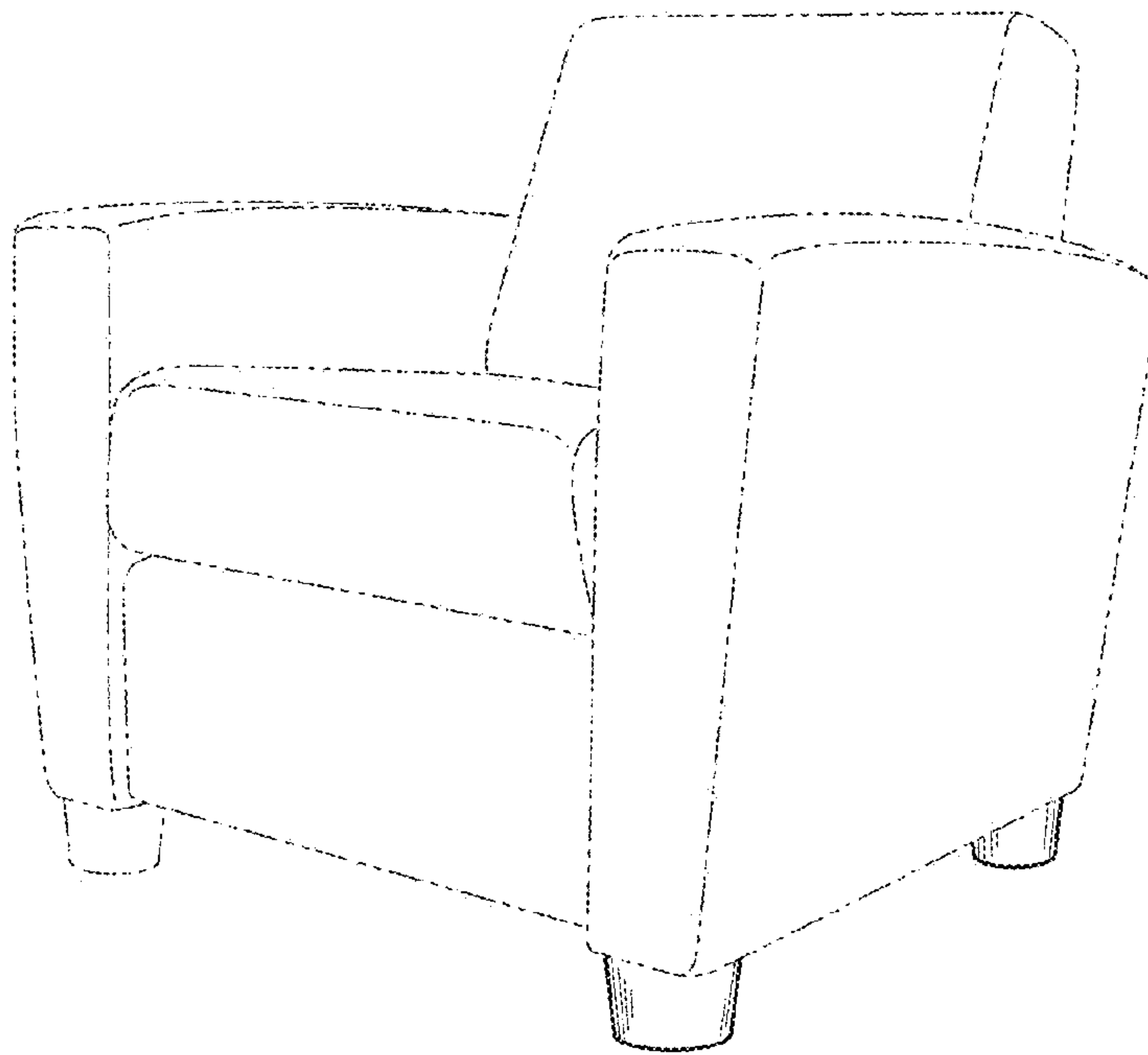


Fig. 15

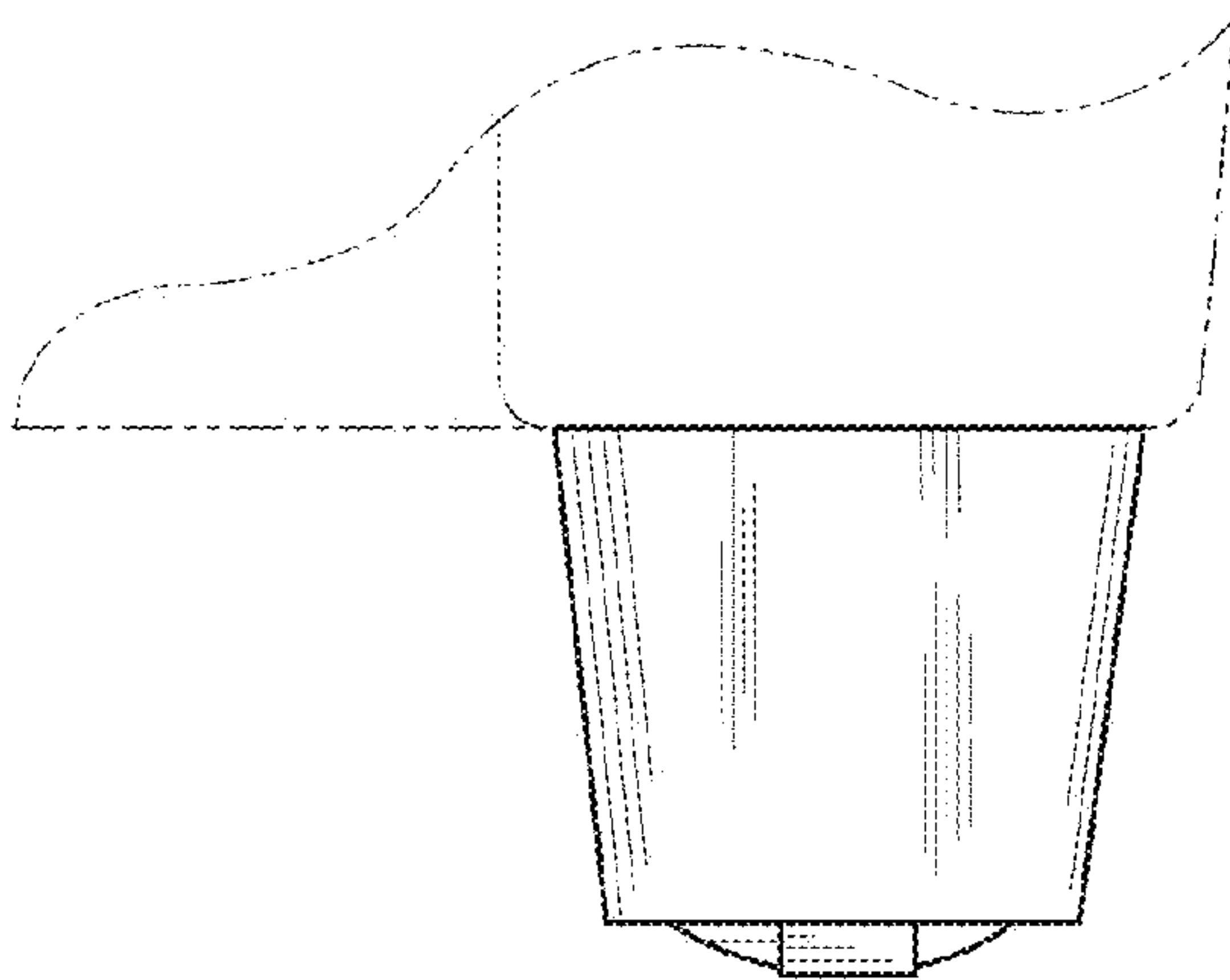


Fig. 16

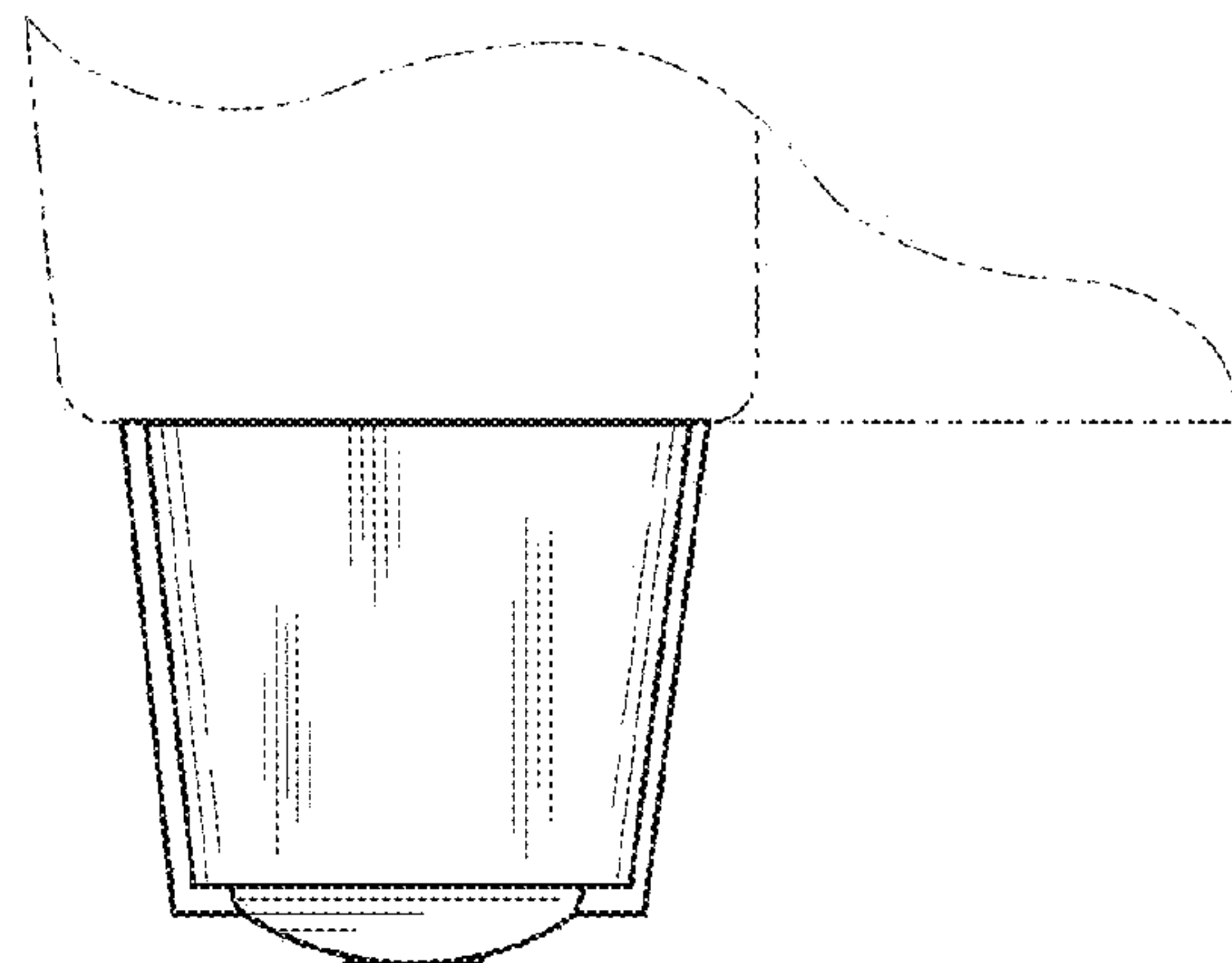


Fig. 17

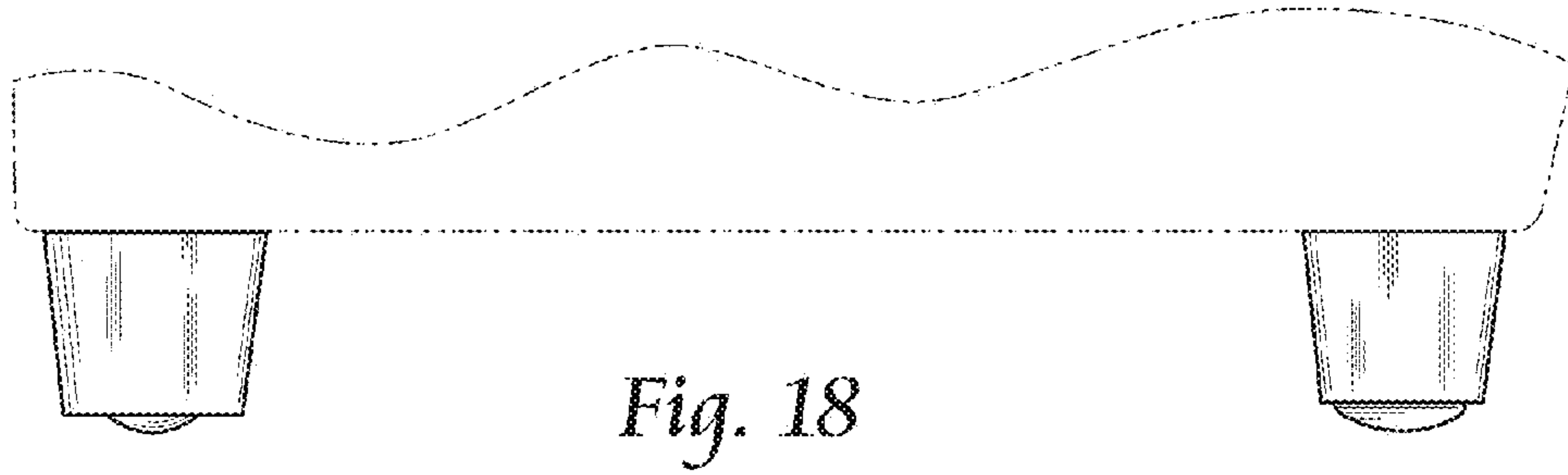


Fig. 18

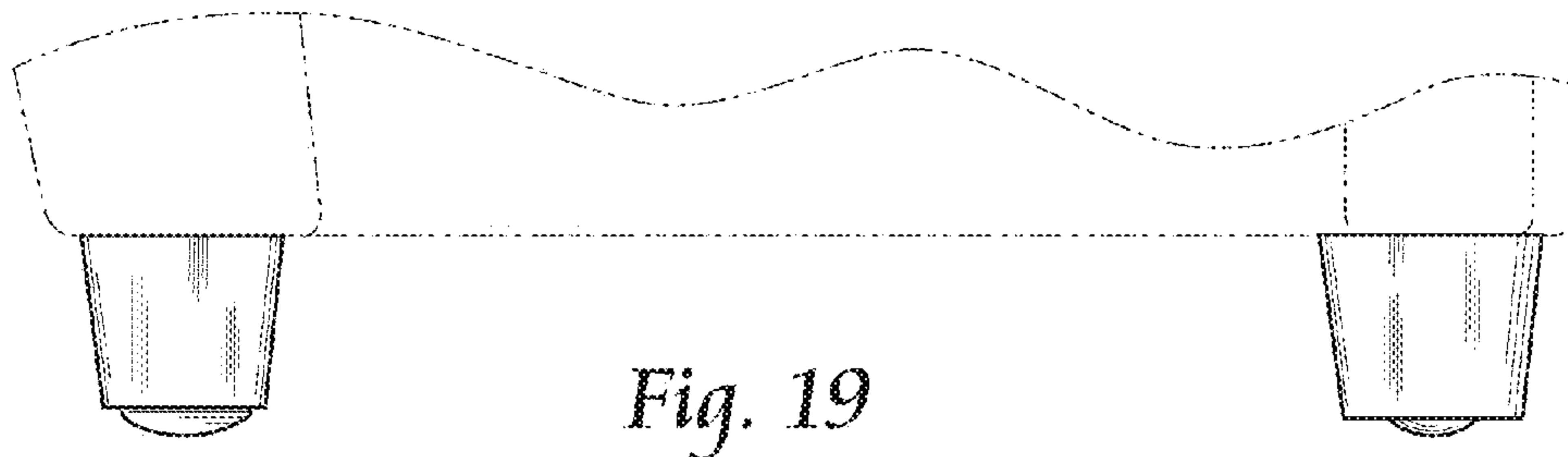


Fig. 19

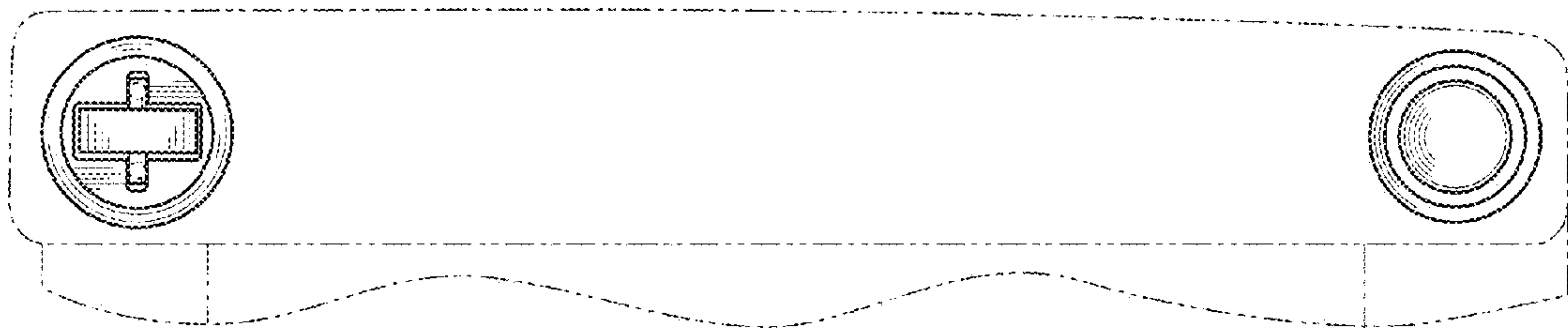


Fig. 20

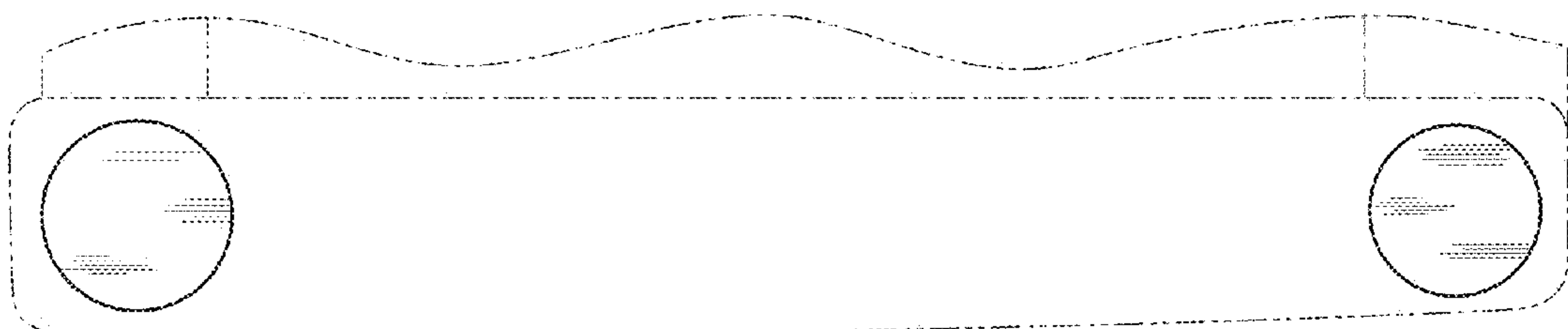


Fig. 21

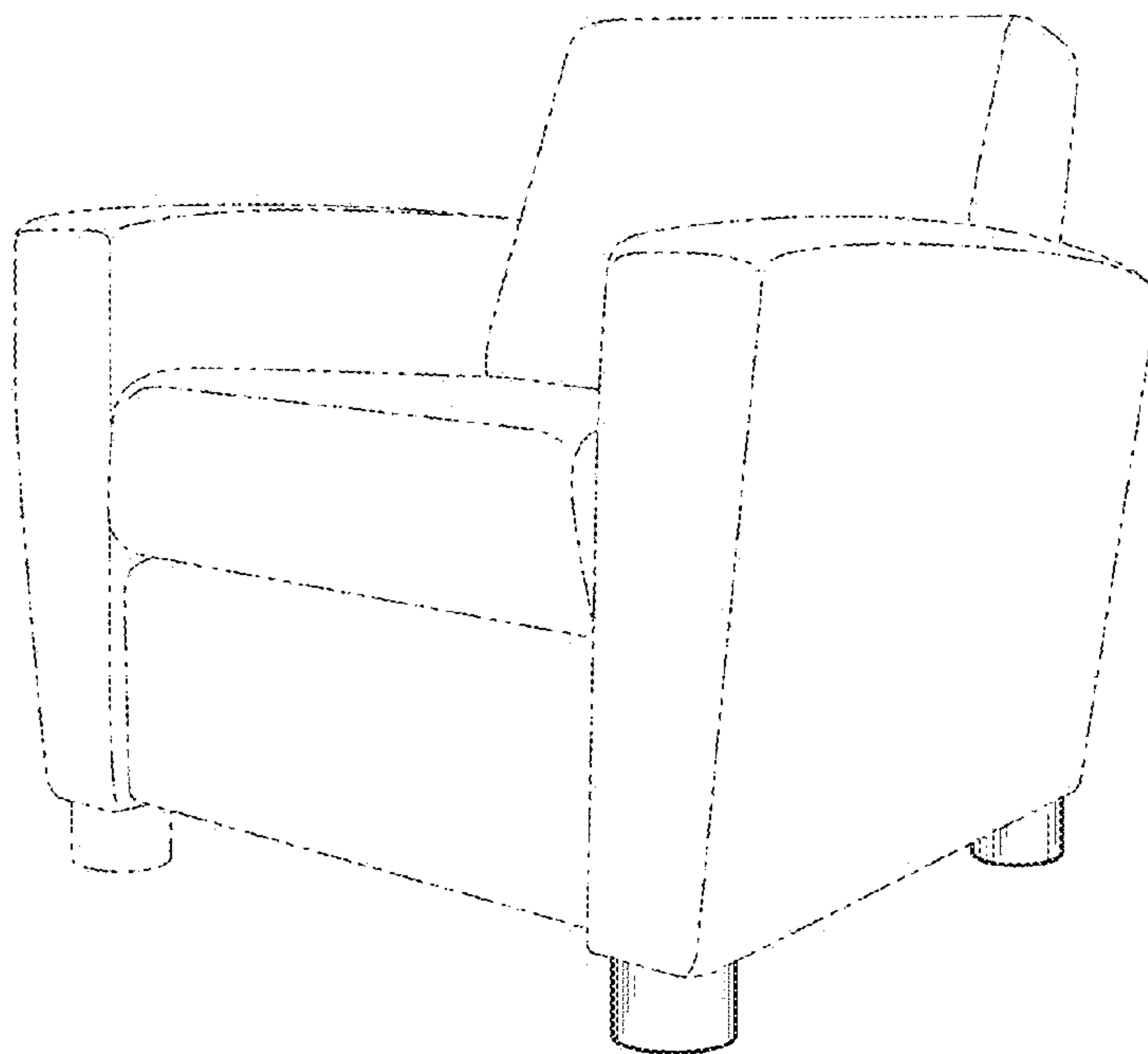


Fig. 22

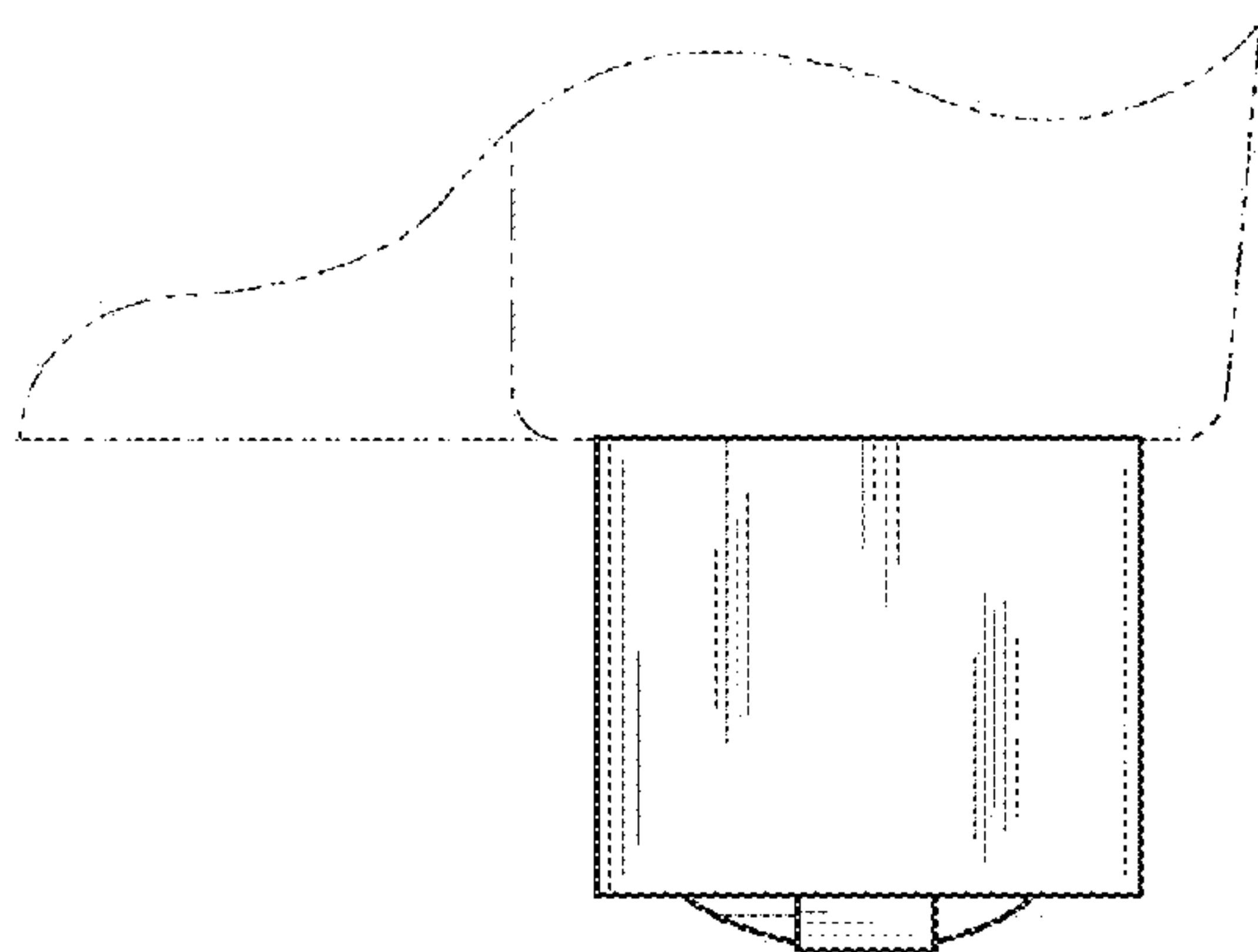


Fig. 23

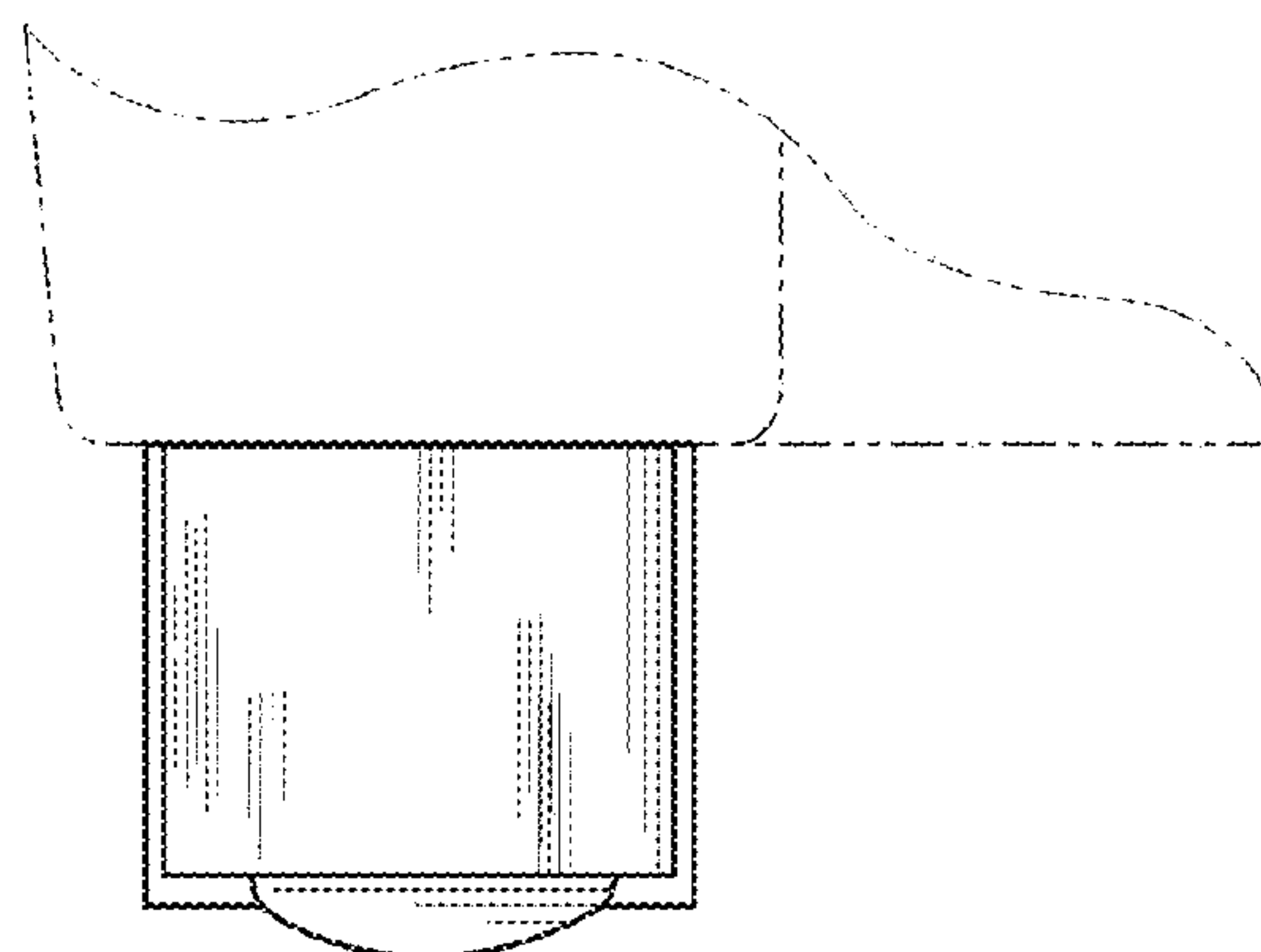


Fig. 24

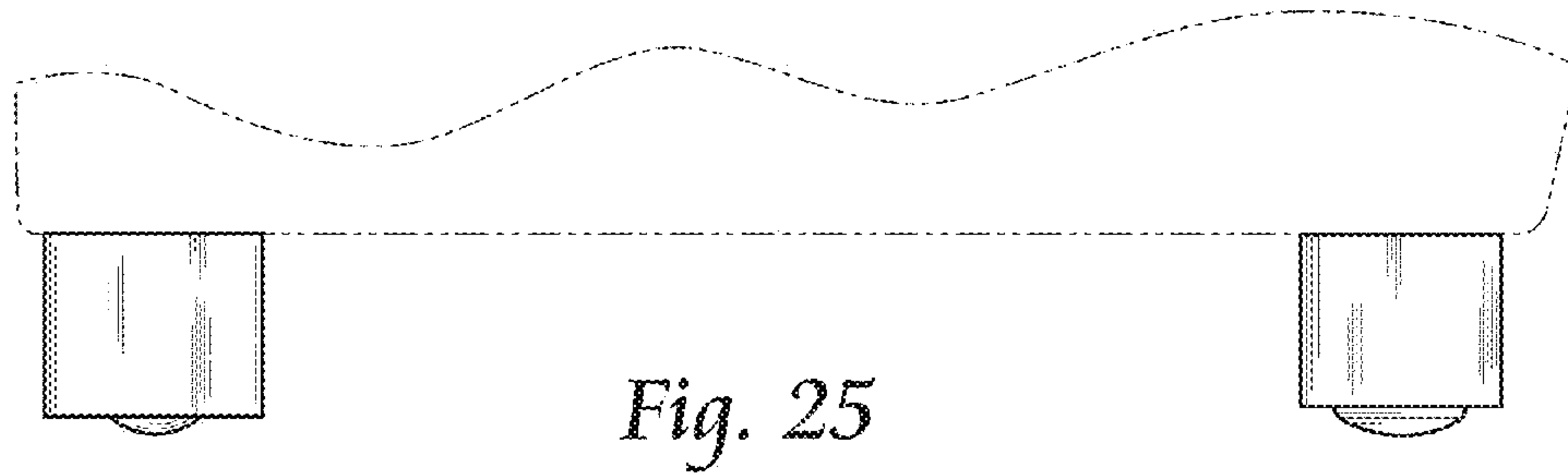


Fig. 25

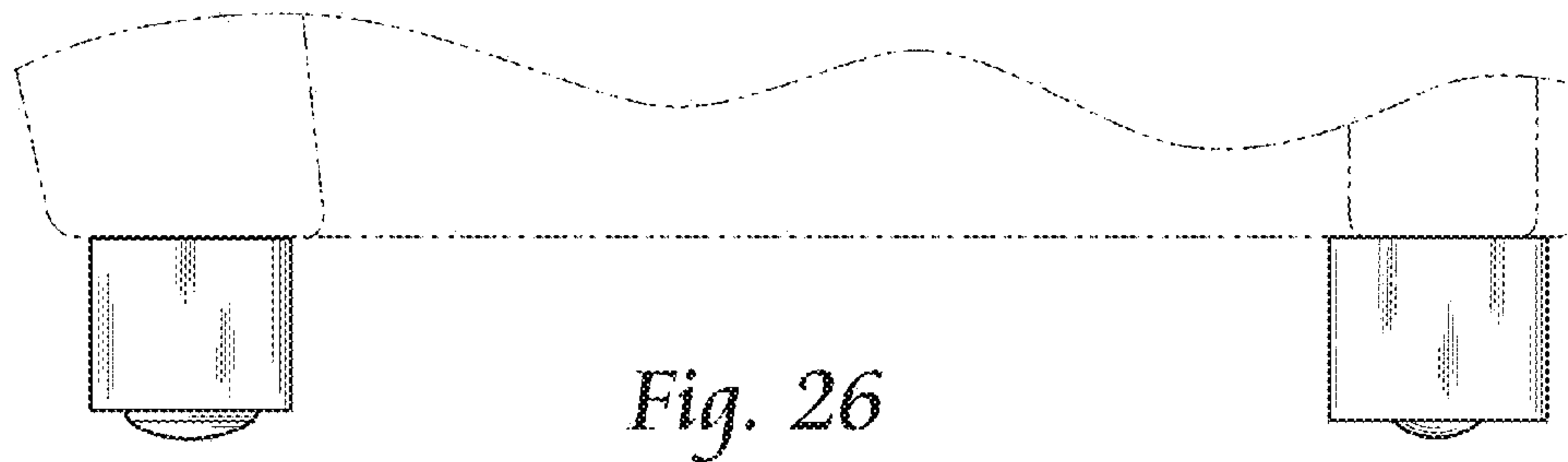


Fig. 26

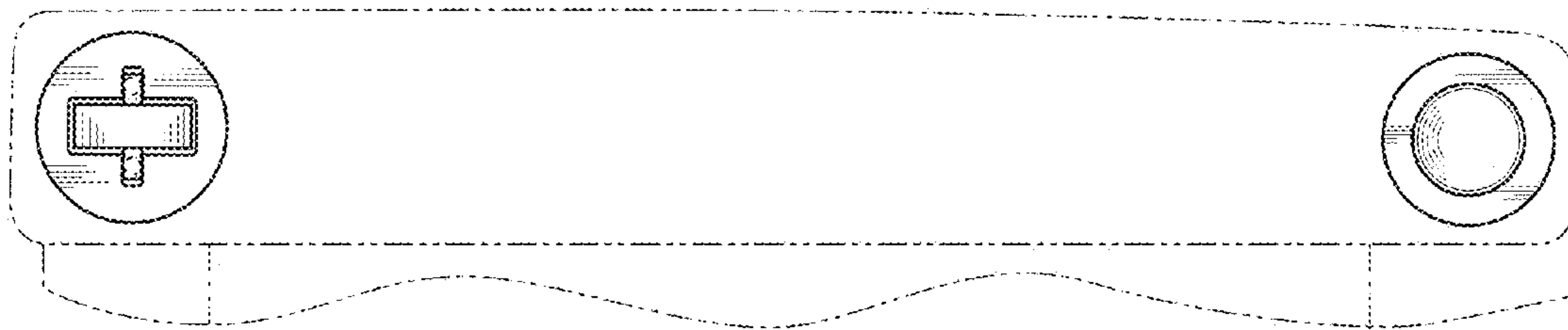


Fig. 27

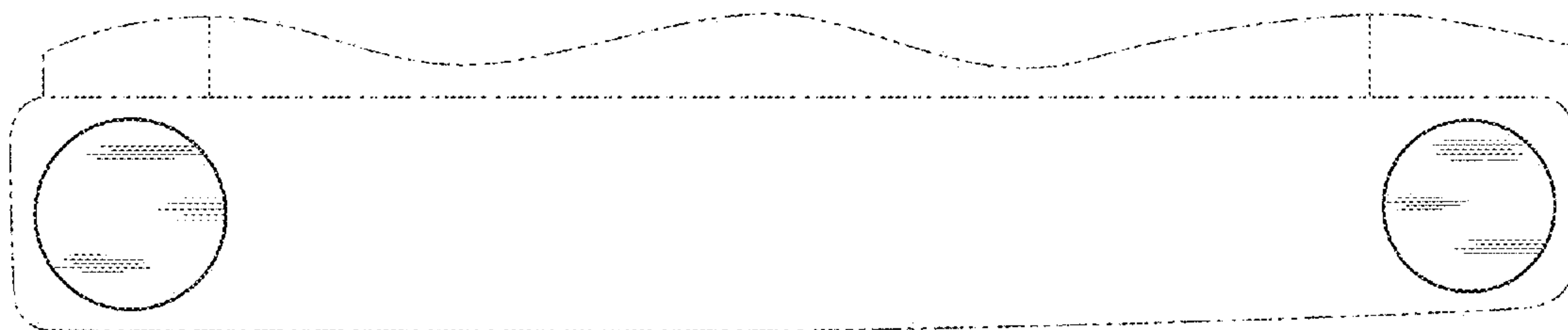


Fig. 28