



US00D723844S

(12) **United States Design Patent**
Hawkins

(10) **Patent No.:** **US D723,844 S**
(45) **Date of Patent:** **** Mar. 10, 2015**

- (54) **DISPLAY FIXTURE**
- (71) Applicant: **Target Brands, Inc.**, Minneapolis, MN (US)
- (72) Inventor: **Laura L. Hawkins**, Minneapolis, MN (US)
- (73) Assignee: **Target Brands, Inc.**, Minneapolis, MN (US)
- (**) Term: **14 Years**
- (21) Appl. No.: **29/508,464**
- (22) Filed: **Nov. 6, 2014**
- (51) **LOC (10) Cl.** **06-06**
- (52) **U.S. Cl.**
USPC **D6/678**
- (58) **Field of Classification Search**
USPC D6/396-397, 431, 449, 466, 468, 470,
D6/477-479, 574, 672, 678, 678.1, 678.2,
D6/678.3; D19/75-77, 81; 211/134, 187,
211/49.1, 207, 71.01; 108/91-93, 149-150
See application file for complete search history.

D366,500 S *	1/1996	Goldthwaite	D19/82
D450,456 S *	11/2001	Warren, III	D3/313
D497,184 S *	10/2004	Bain	D19/75
D580,987 S *	11/2008	Diller	D19/77
D585,494 S *	1/2009	Yoshikawa	D19/78
D585,495 S *	1/2009	Yoshikawa	D19/78
D661,489 S *	6/2012	Kraemer	D3/313
D683,964 S *	6/2013	Brunner	D3/313
D685,206 S *	7/2013	Hawkins	D6/675.1
D686,020 S *	7/2013	Nenadovich	D6/552
D699,988 S *	2/2014	Hawkins	D6/678.1

* cited by examiner

Primary Examiner — Kelley Donnelly

(74) *Attorney, Agent, or Firm* — Leanne Taveggia Farrell; Westman, Champlin & Koehler, P.A.

(56) **References Cited**

U.S. PATENT DOCUMENTS

1,987,567 A *	1/1935	Ziemmerman	108/100
2,072,193 A *	3/1937	Wierzicki	248/174
2,307,993 A *	1/1943	Calhoun et al.	211/26
D316,565 S *	4/1991	Rust	D19/75
D317,178 S *	5/1991	Kheng	D19/75
D329,876 S *	9/1992	Breen	D19/75
D332,631 S *	1/1993	Klodt	D19/78
D356,829 S *	3/1995	Russomano et al.	D19/77

(57) **CLAIM**

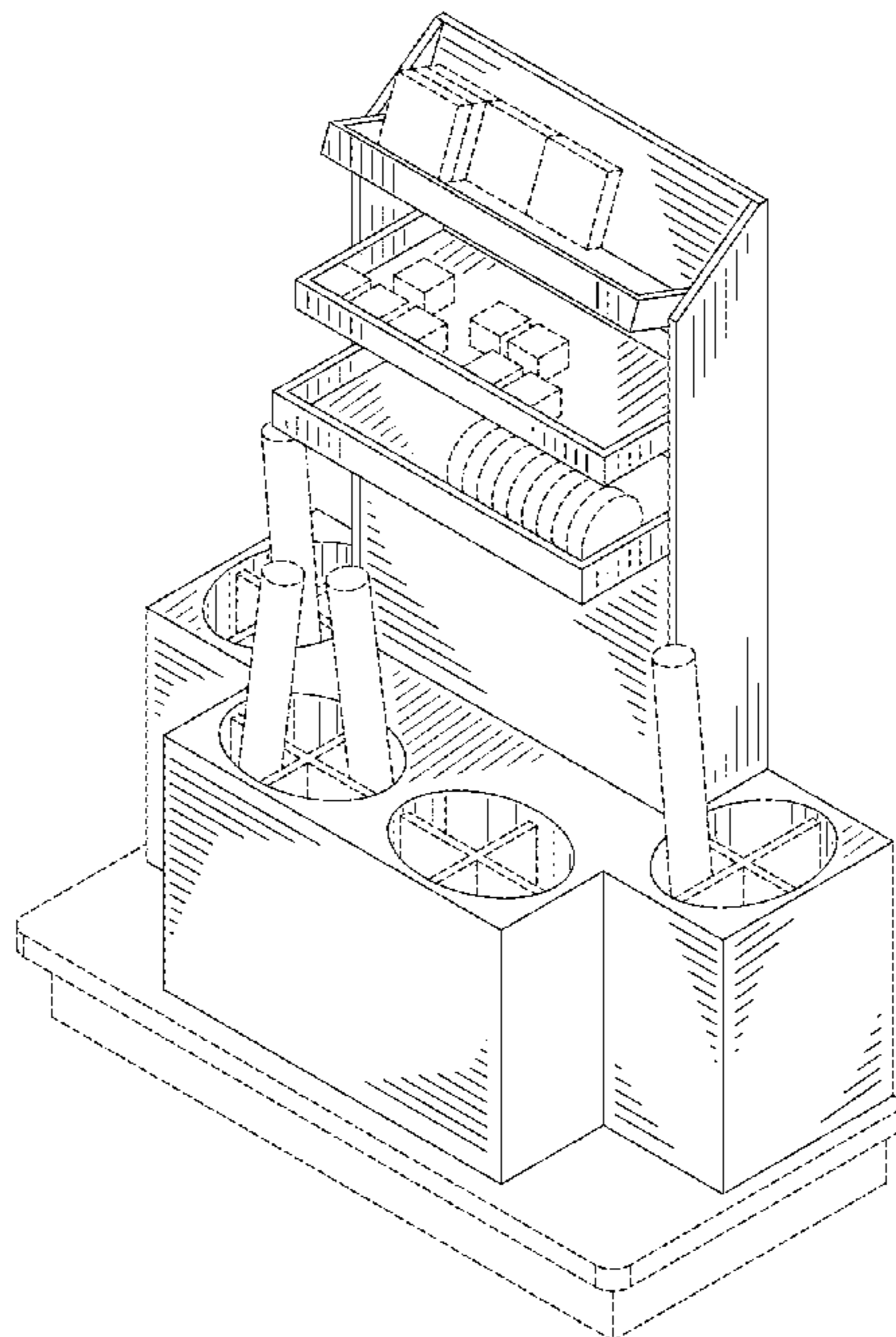
The ornamental design for a display fixture, as shown and described.

DESCRIPTION

FIG. 1 is a perspective view of a display fixture with environment showing my new design;
 FIG. 2 is a perspective view thereof without environment;
 FIG. 3 is a front view thereof;
 FIG. 4 is left side view thereof, the right side view being a mirror image;
 FIG. 5 is a top view thereof; and,
 FIG. 6 is a section view taken through the line indicated in FIG. 5.

The broken lines shown in the drawings are included for purposes of illustrating environment or portions of the display fixture and form no part of the claimed design.

1 Claim, 5 Drawing Sheets



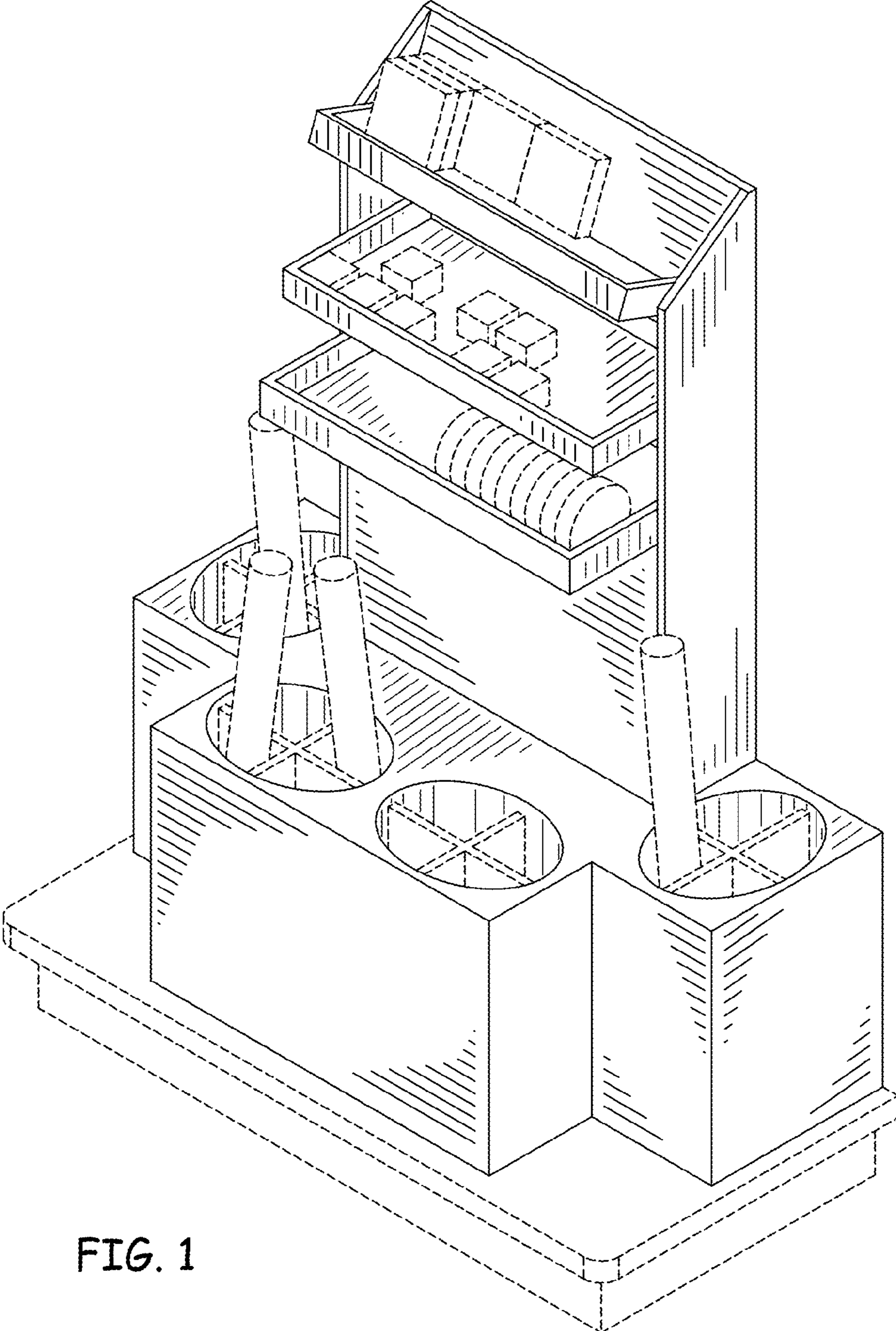


FIG. 1

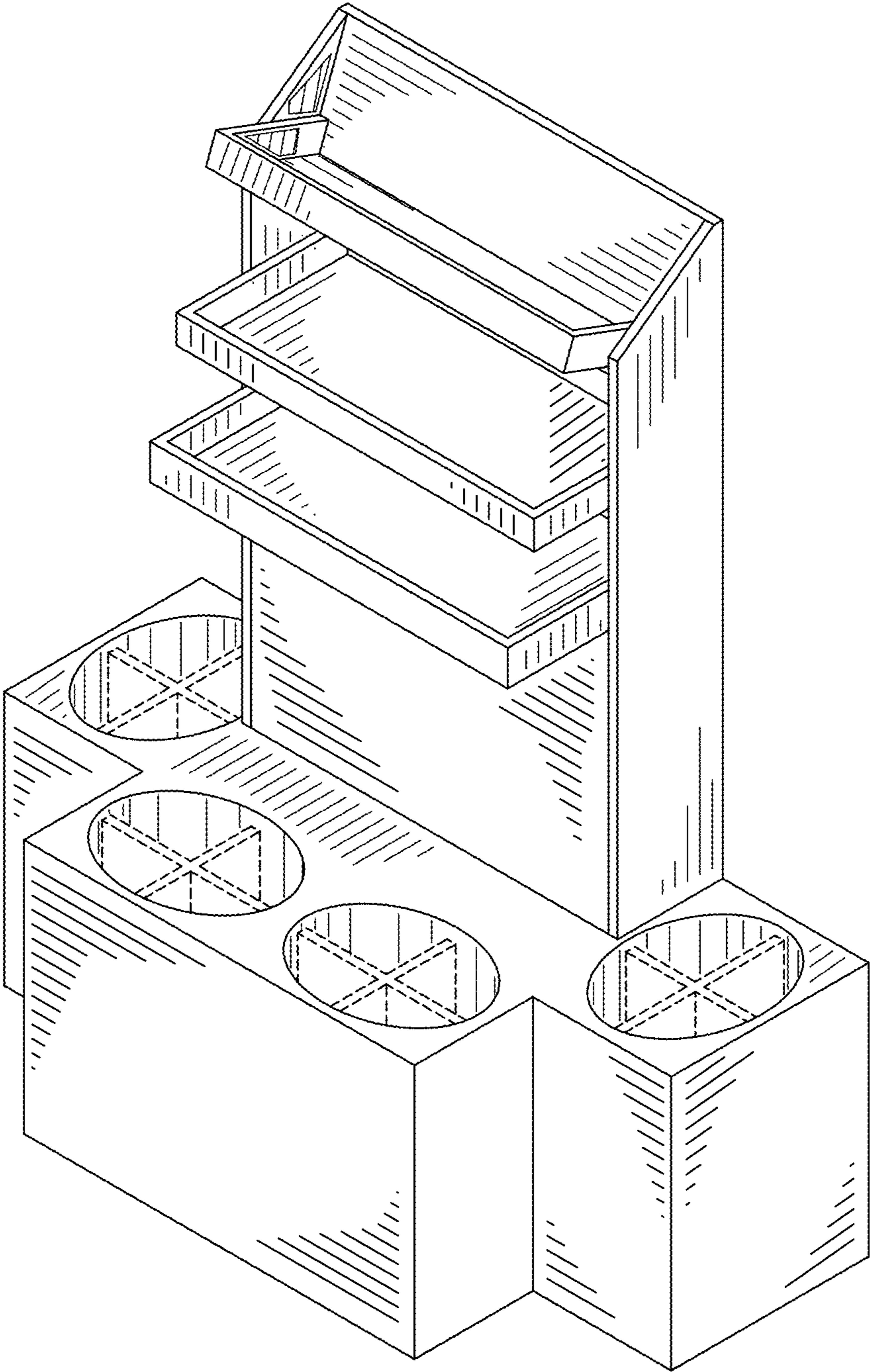


FIG. 2

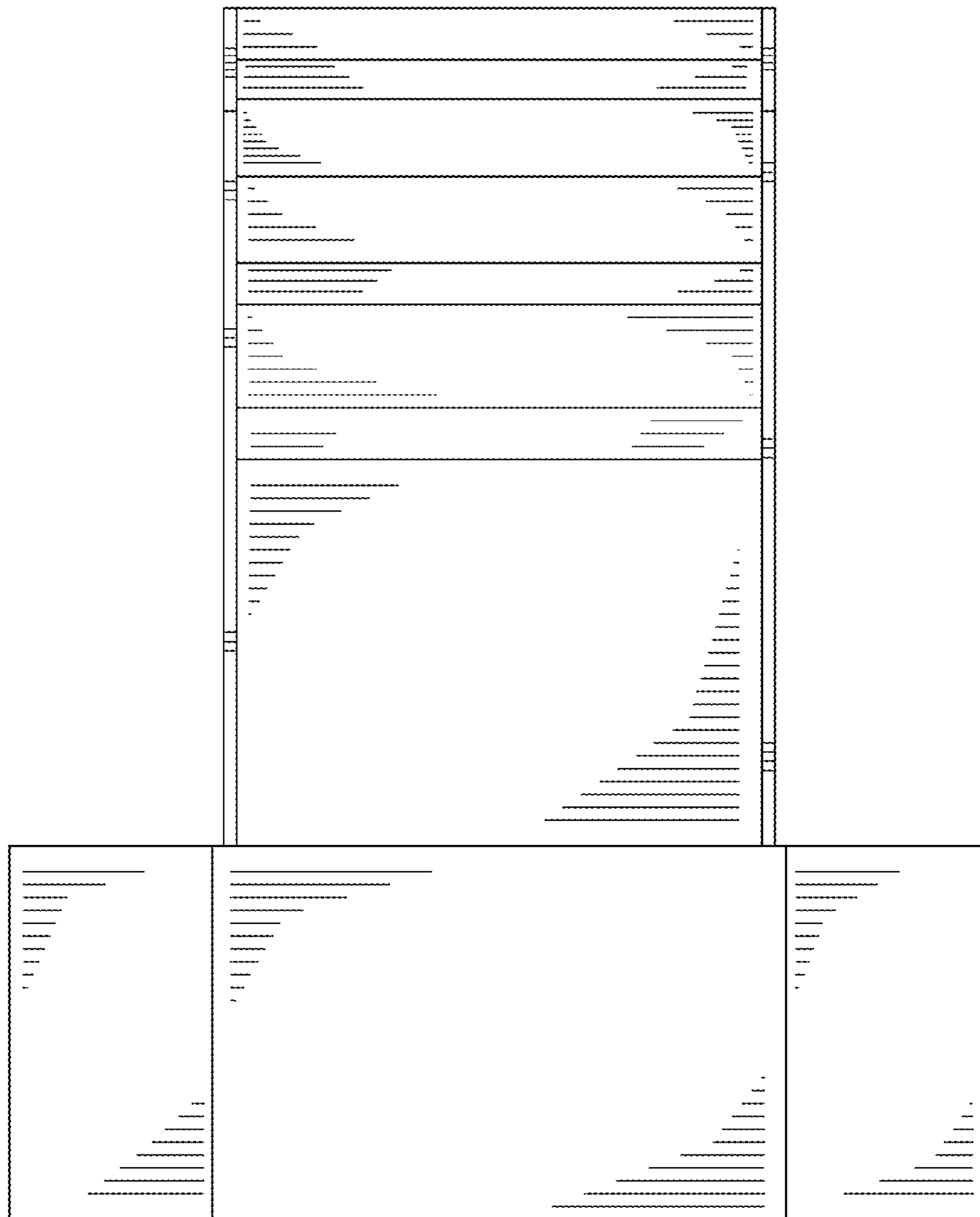


FIG. 3

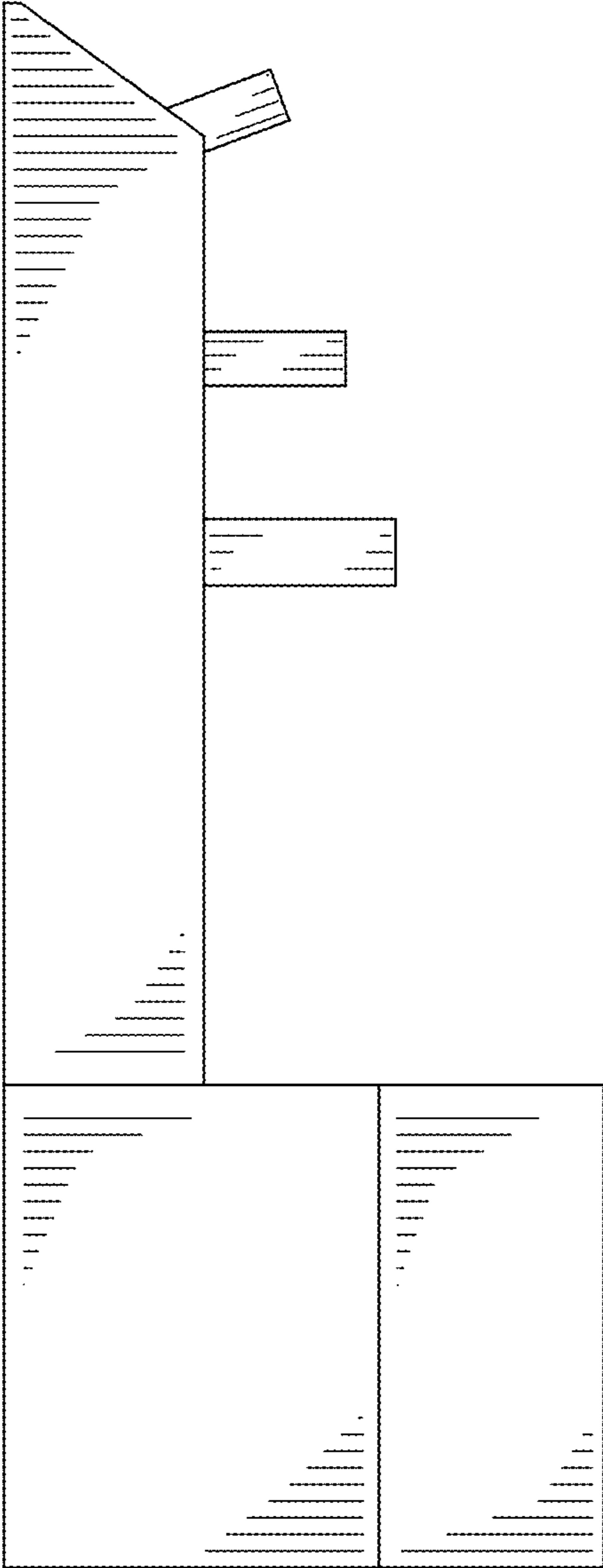


FIG. 4

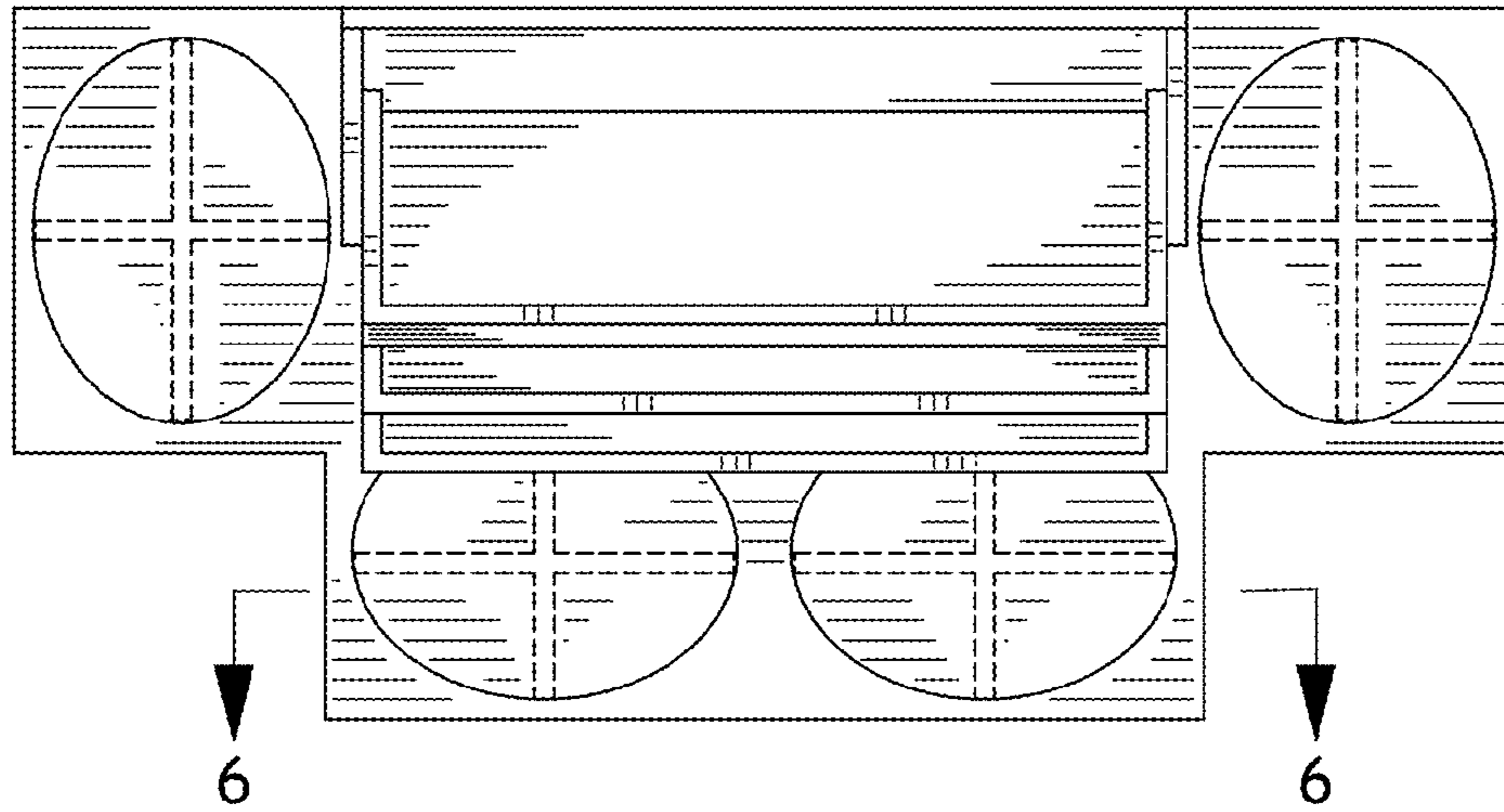


FIG. 5

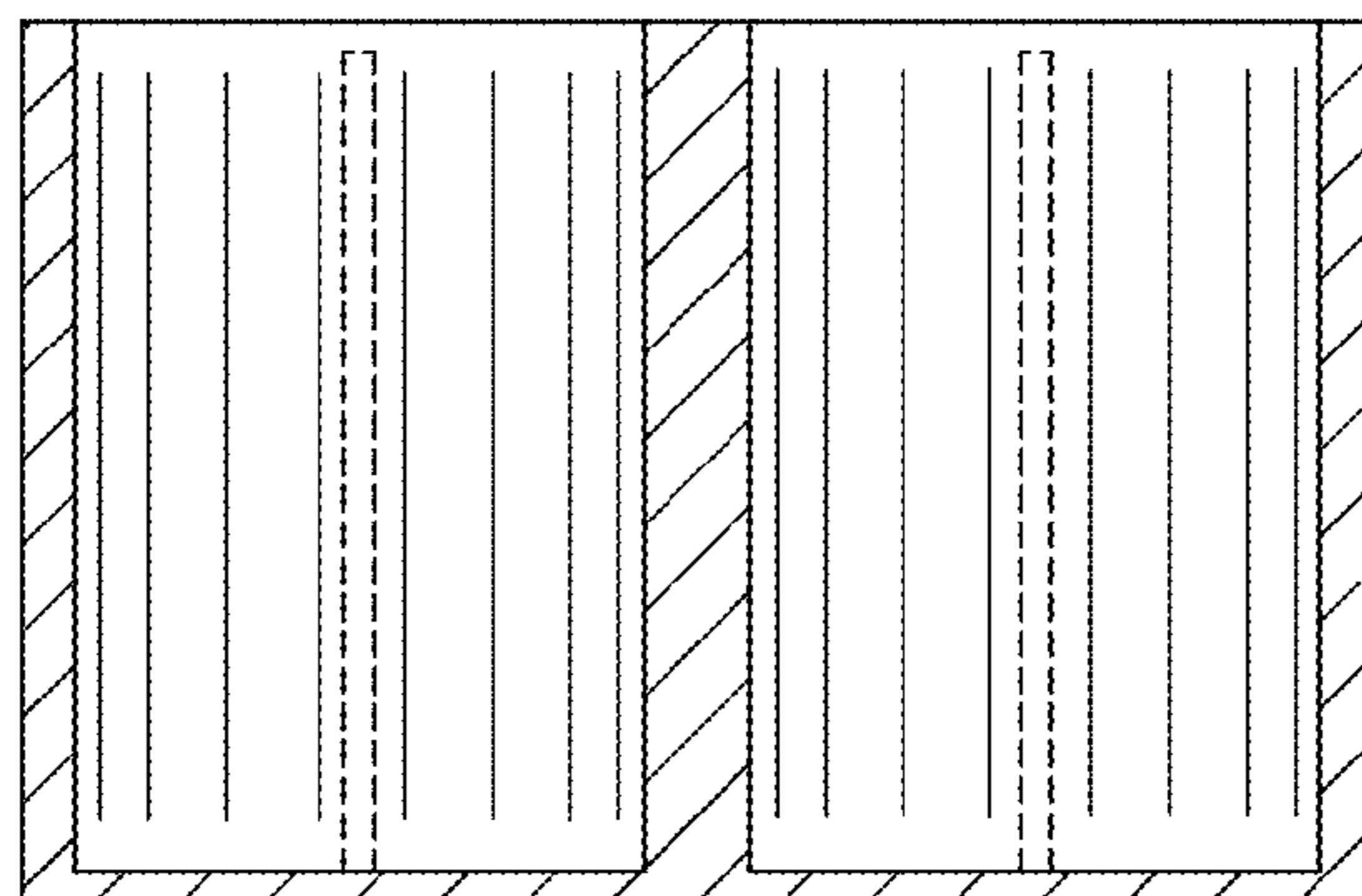


FIG. 6