



US00D723841S

(12) **United States Design Patent**  
**Troyner et al.**

(10) **Patent No.:** **US D723,841 S**  
(45) **Date of Patent:** **\*\* Mar. 10, 2015**

(54) **TOOL CHEST AND CABINET**

(71) Applicant: **Edsal Manufacturing Co., Inc.**,  
Chicago, IL (US)  
(72) Inventors: **Anthony J. Troyner**, Shorewood, IL  
(US); **David J. Wojtowicz**, Orland Park,  
IL (US); **Scott Fitzgerald**, Lowell, IN  
(US)  
(73) Assignee: **Edsal Manufacturing Company, Inc.**,  
Chicago, IL (US)  
(\*\*) Term: **14 Years**

(21) Appl. No.: **29/493,863**

(22) Filed: **Jun. 13, 2014**

(51) **LOC (10) Cl.** ..... **06-04**

(52) **U.S. Cl.**  
USPC ..... **D6/671.2**

(58) **Field of Classification Search**

CPC ..... A47B 43/00; A47B 49/00; A47B 49/002;  
A47B 67/00; A47B 67/04; A47B 87/02;  
A47B 88/04; A47B 88/0411; A47B 88/20;  
A47B 2210/00; A47B 2210/004; A47B  
2210/0078; A47B 2210/0008; A47F 3/00;  
B25B 1/22; B62B 3/00; B25H 1/04; B25H  
3/00; B25H 3/003; B25H 3/04; B25H 3/006;  
B25H 3/02; B25H 3/021; B25H 3/028;  
E05B 65/462; E05B 65/468; F21V 33/0084  
USPC ..... D3/279, 283-284, 286, 297, 318-319,  
D3/905; D6/662, 663, 664.1, 668, 668.1,  
D6/668.2, 669, 671, 671.1, 671.2, 671.3,  
D6/671.4, 705, 705.5; D8/300; D34/19,  
D34/20, 21; 70/78; 206/372; 312/107, 117,  
312/138.1, 204, 218, 226-227, 237, 249.1,  
312/249.4, 249.8, 249.11, 249.12, 278-282,  
312/308, 311, 330.1, 332.1, 348.4, 351.3;  
362/154; 451/361

See application file for complete search history.

(56) **References Cited**

U.S. PATENT DOCUMENTS

D205,522 S \* 8/1966 Dowman ..... D6/445  
D254,883 S \* 5/1980 Jorda-Segui ..... D6/445

(Continued)

*Primary Examiner* — Ricky Pham

(74) *Attorney, Agent, or Firm* — Wood, Herron & Evans,  
LLP

(57) **CLAIM**

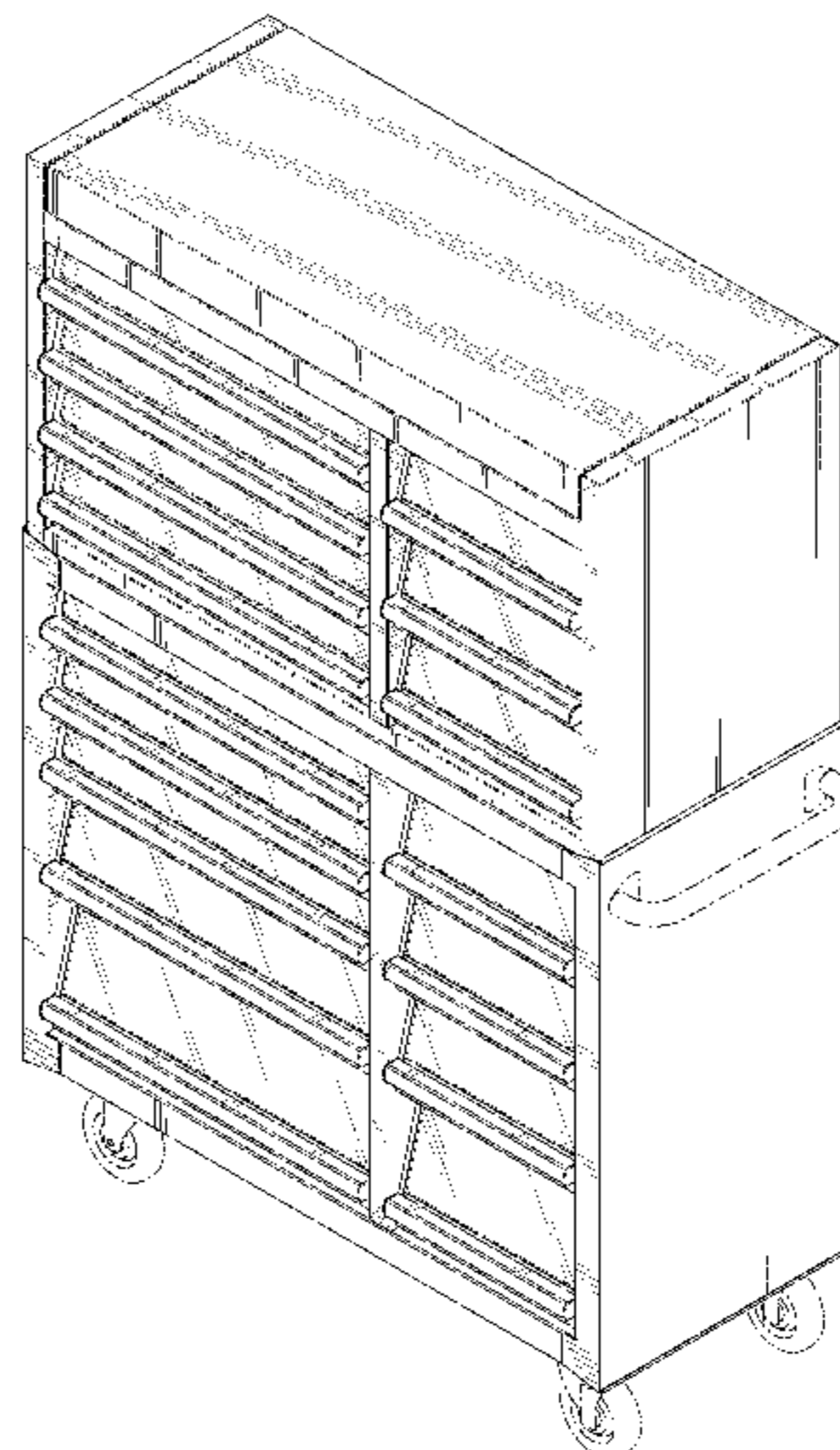
The ornamental design for a tool chest and cabinet, as shown  
and described.

**DESCRIPTION**

FIG. 1 is a front isometric view of an assembled tool chest and  
cabinet showing our new, original and ornamental design;  
FIG. 2 is a front view thereof;  
FIG. 3 is a right side view, the left side view being a mirror  
image thereof;  
FIG. 4 is a top side view thereof;  
FIG. 5 is a bottom side view thereof;  
FIG. 6 is a front isometric view of the upper chest portion of  
our new, original and ornamental design; shown without the  
cabinet for ease of illustration;  
FIG. 7 is a front side view thereof;  
FIG. 8 is a right side view, the left side view being a mirror  
image thereof;  
FIG. 9 is a top side view thereof;  
FIG. 10 is a bottom side view thereof;  
FIG. 11 is a front isometric view of the lower cabinet portion  
of our new, original and ornamental design, shown without  
the upper chest portion for ease of illustration;  
FIG. 12 is a front side view thereof;  
FIG. 13 is a right side view, the left side view being a mirror  
image thereof;  
FIG. 14 is a top side view thereof; and,  
FIG. 15 is a bottom side view thereof.

The broken dot-dash lines in the tool chest are intended to  
denote environmental structure and are for illustrative pur-  
poses only. Neither the lines themselves, nor the region within  
the lines, form any part of the claimed design. Additionally,  
the unshown portion of the tool chest forms no part of the  
claimed design.

**1 Claim, 15 Drawing Sheets**



(56)

**References Cited**

U.S. PATENT DOCUMENTS

D273,906 S *	5/1984	Norlin .....	D34/19	7,048,347 B1 *	5/2006	Liu .....	312/332.1
D286,714 S *	11/1986	Verholt .....	D6/446	D554,370 S *	11/2007	Hand .....	D3/297
5,257,860 A *	11/1993	Slivon .....	312/218	7,338,354 B2 *	3/2008	Liu .....	451/361
5,497,878 A *	3/1996	Sandonato .....	206/372	D574,629 S *	8/2008	Kalkwarf .....	D6/445
5,857,757 A *	1/1999	Bieker et al. ....	312/351.3	D586,597 S *	2/2009	Hand .....	D6/510
D423,817 S *	5/2000	Holcomb et al. ....	D6/445	D587,013 S *	2/2009	Hand .....	D3/318
D423,818 S *	5/2000	Holcomb et al. ....	D6/445	D587,047 S *	2/2009	Kalkwarf .....	D6/510
D427,807 S *	7/2000	Holcomb et al. ....	D6/445	D589,718 S *	4/2009	Hand .....	D6/400
D430,426 S *	9/2000	Bieker et al. ....	D6/445	D589,731 S *	4/2009	Kohagen et al. ....	D6/510
6,374,649 B1 *	4/2002	Holcomb et al. ....	70/78	D608,109 S *	1/2010	Hand .....	D6/445
D509,939 S *	9/2005	Hay et al. ....	D34/20	2007/0063624 A1 *	3/2007	Liao .....	312/282
				2007/0228903 A1 *	10/2007	Liu .....	312/280
				2008/0180944 A1 *	7/2008	Galvez et al. ....	362/154

\* cited by examiner



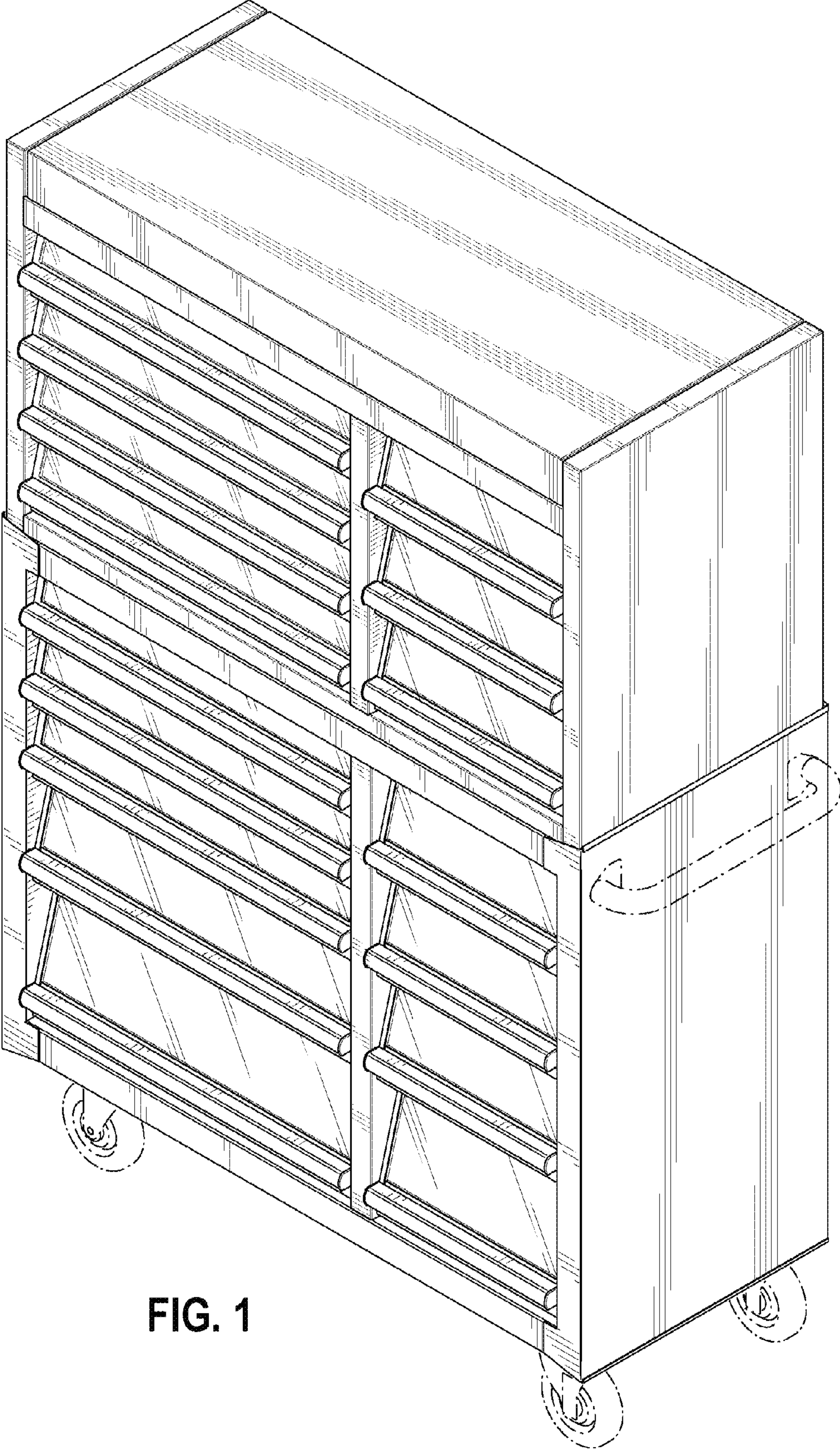


FIG. 1

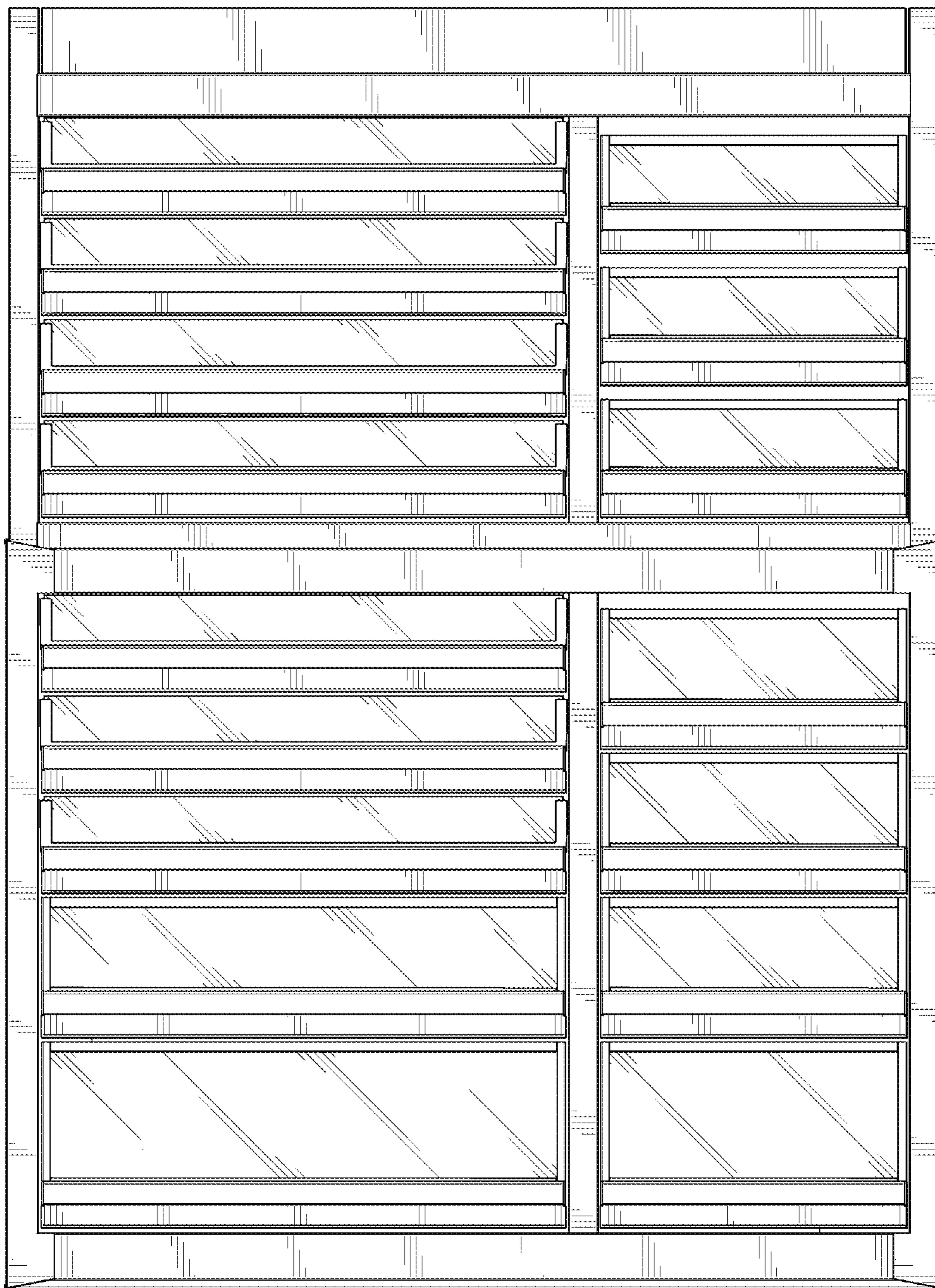


FIG. 2

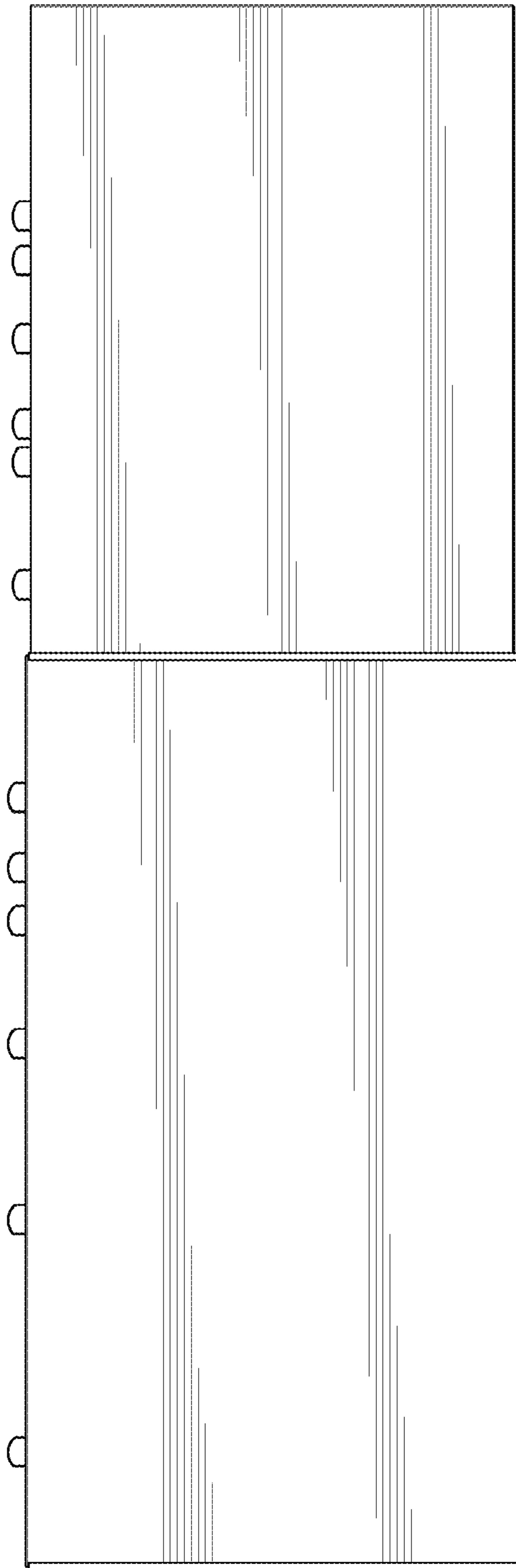


FIG. 3



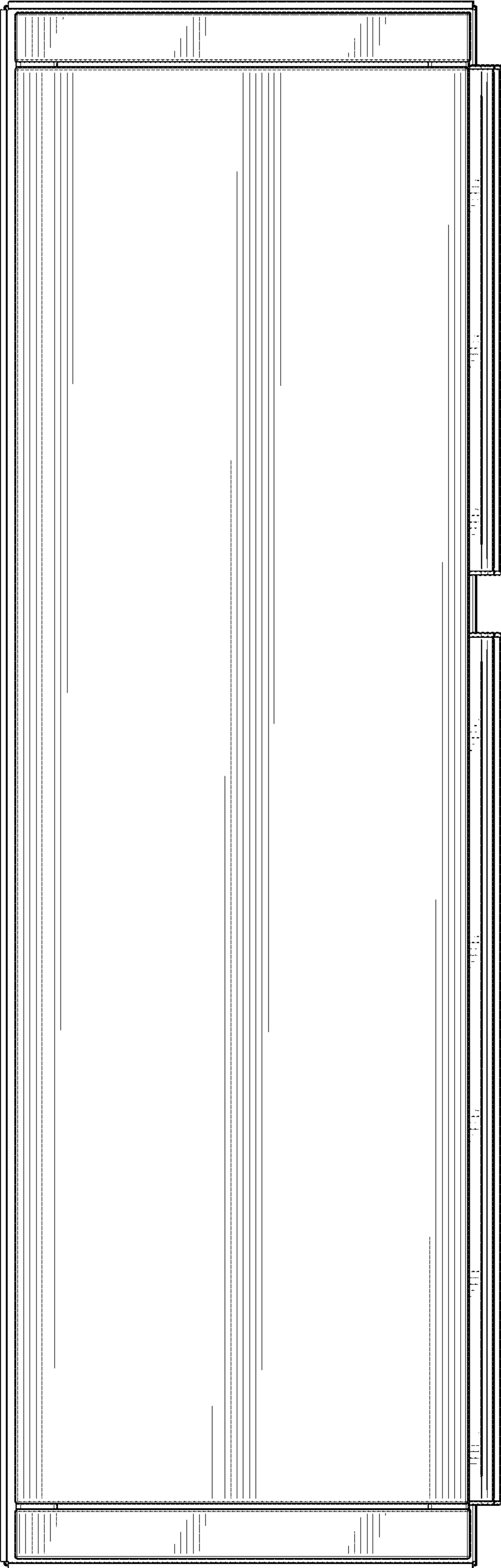


FIG. 4

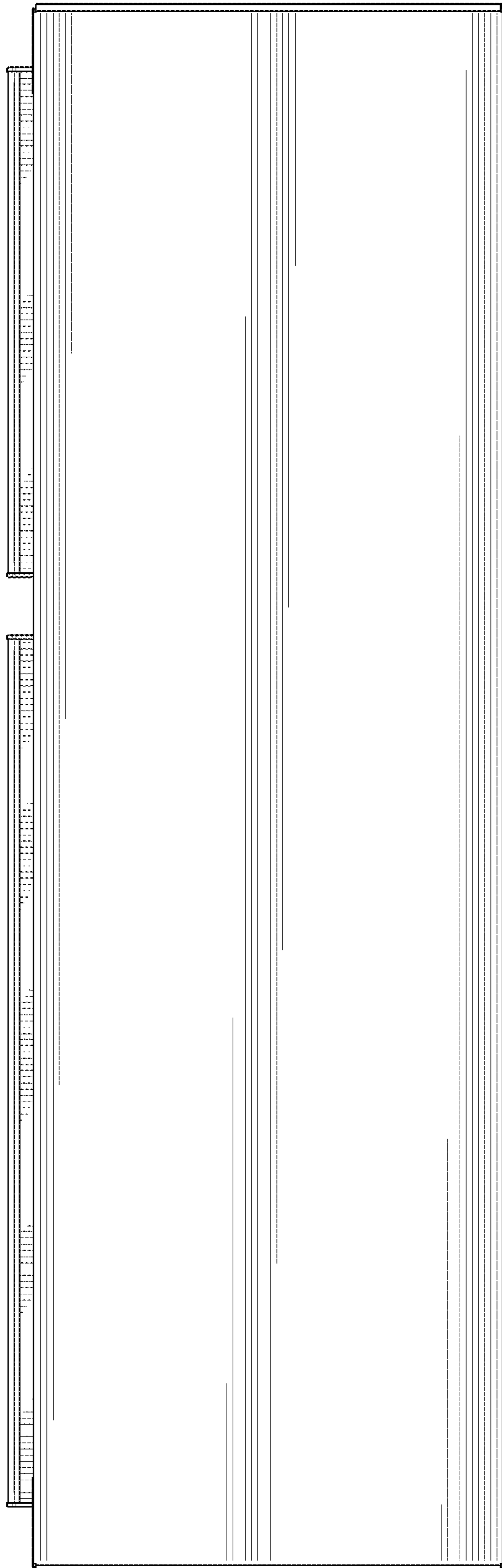


FIG. 5

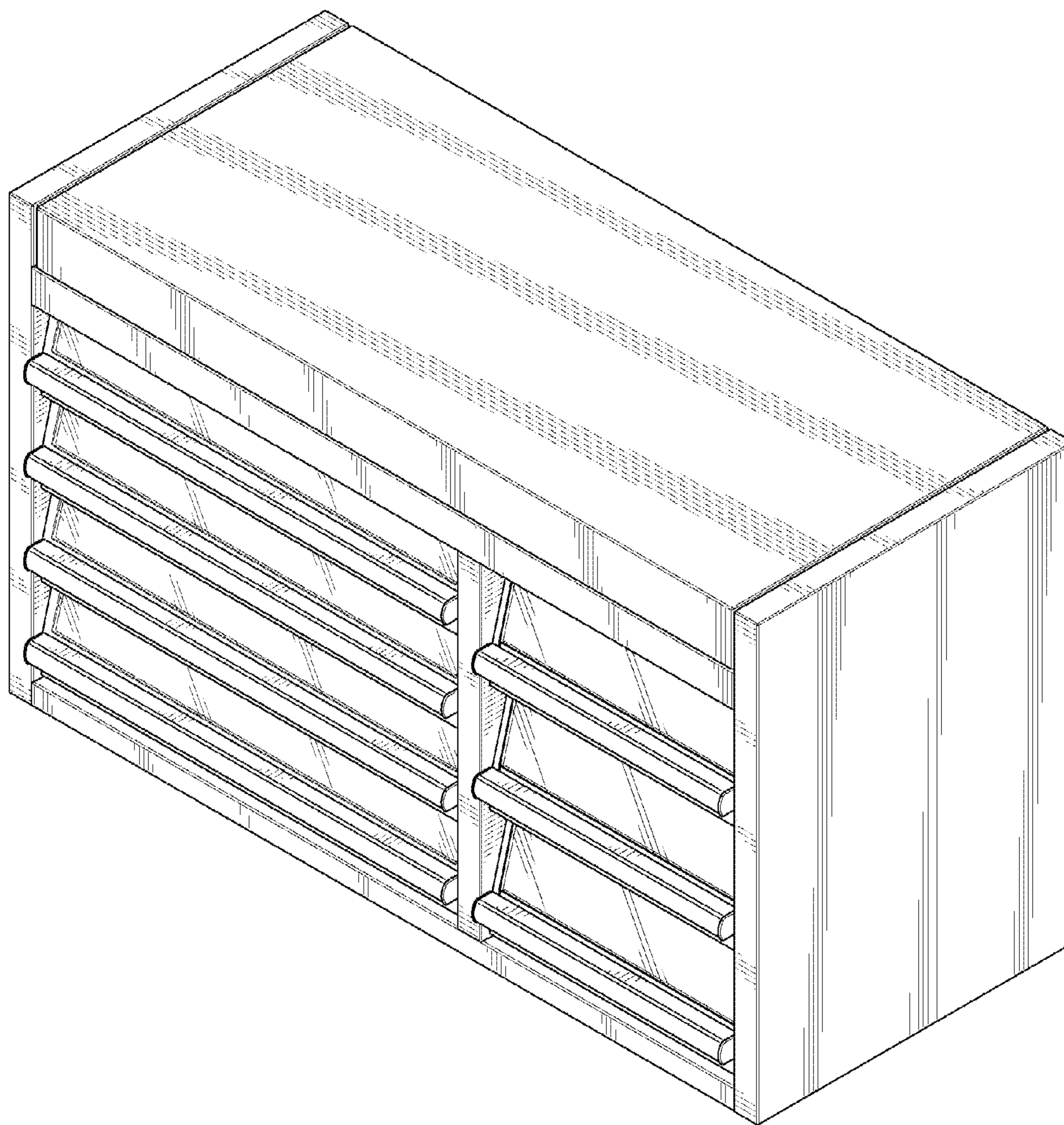


FIG. 6





FIG. 7

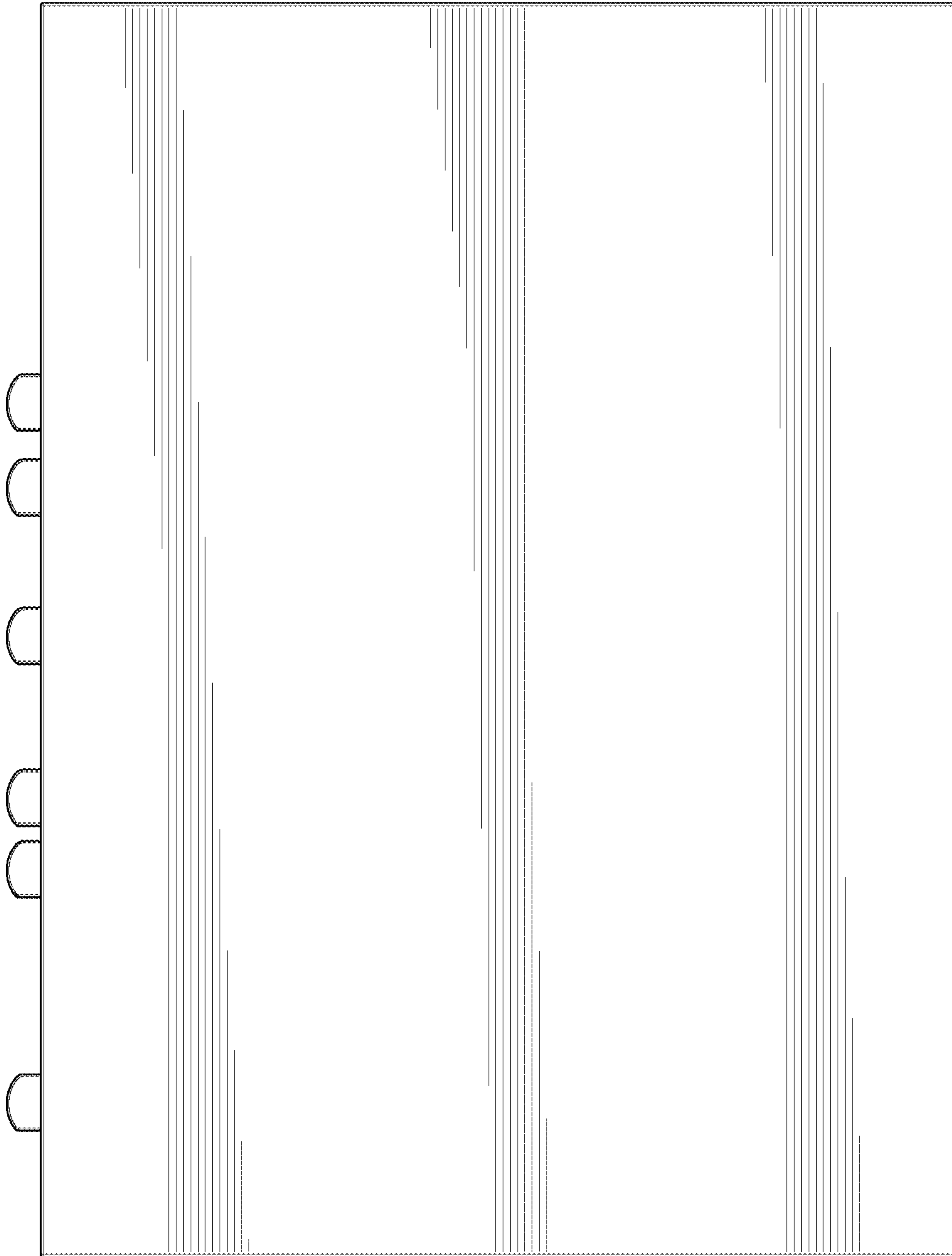


FIG. 8

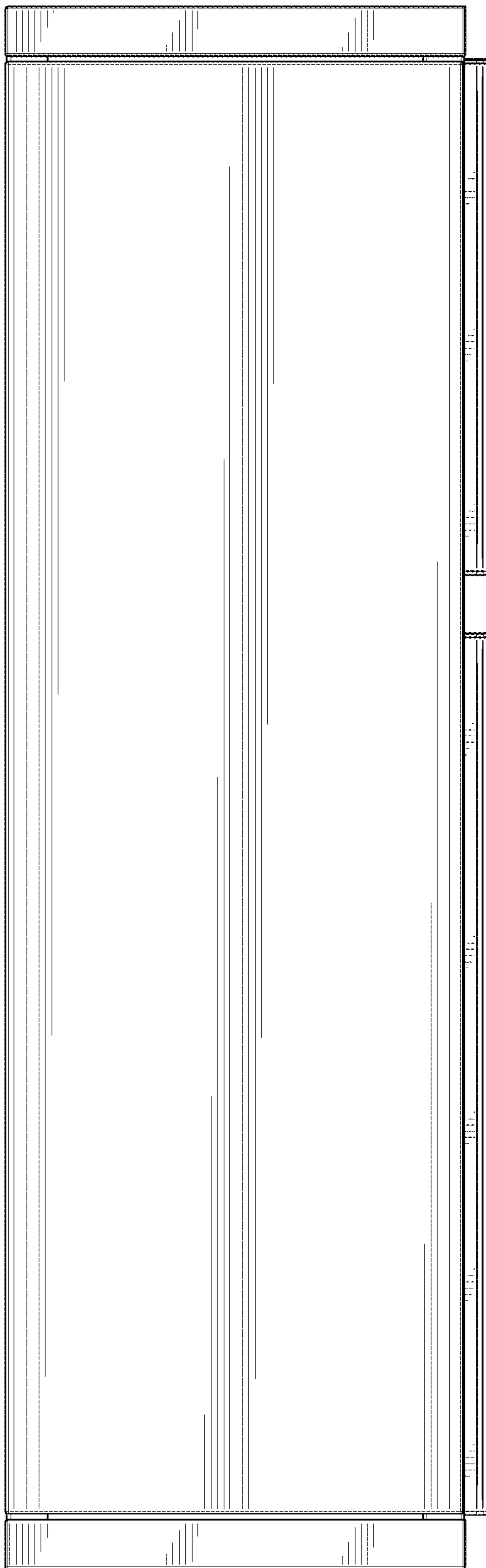


FIG. 9



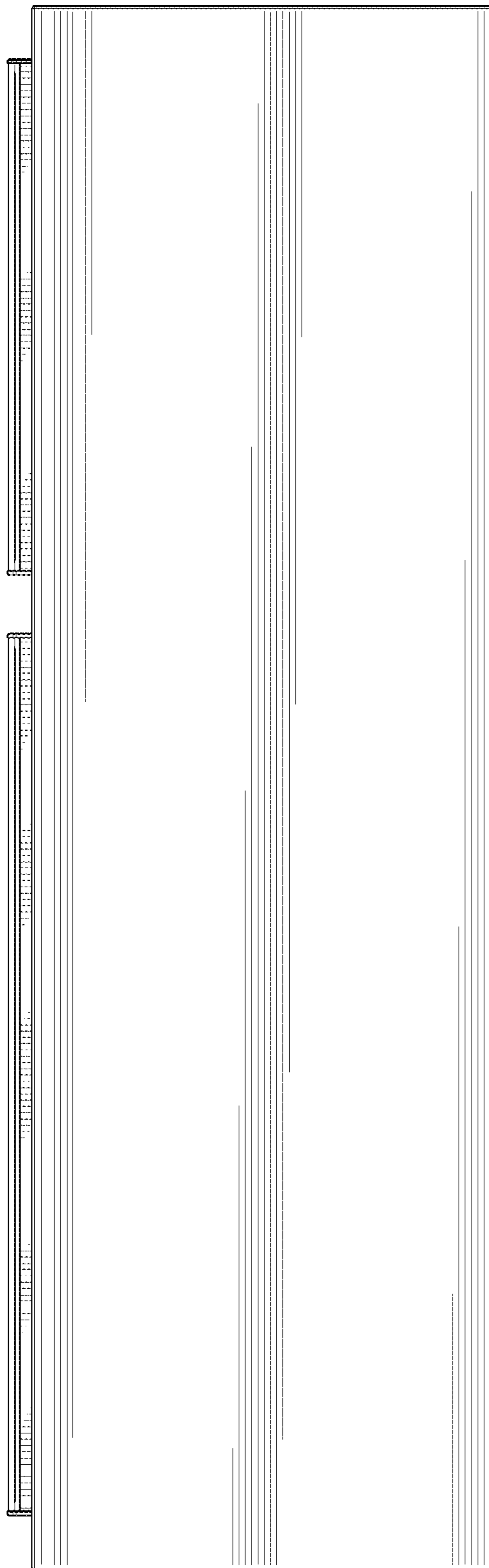


FIG. 10

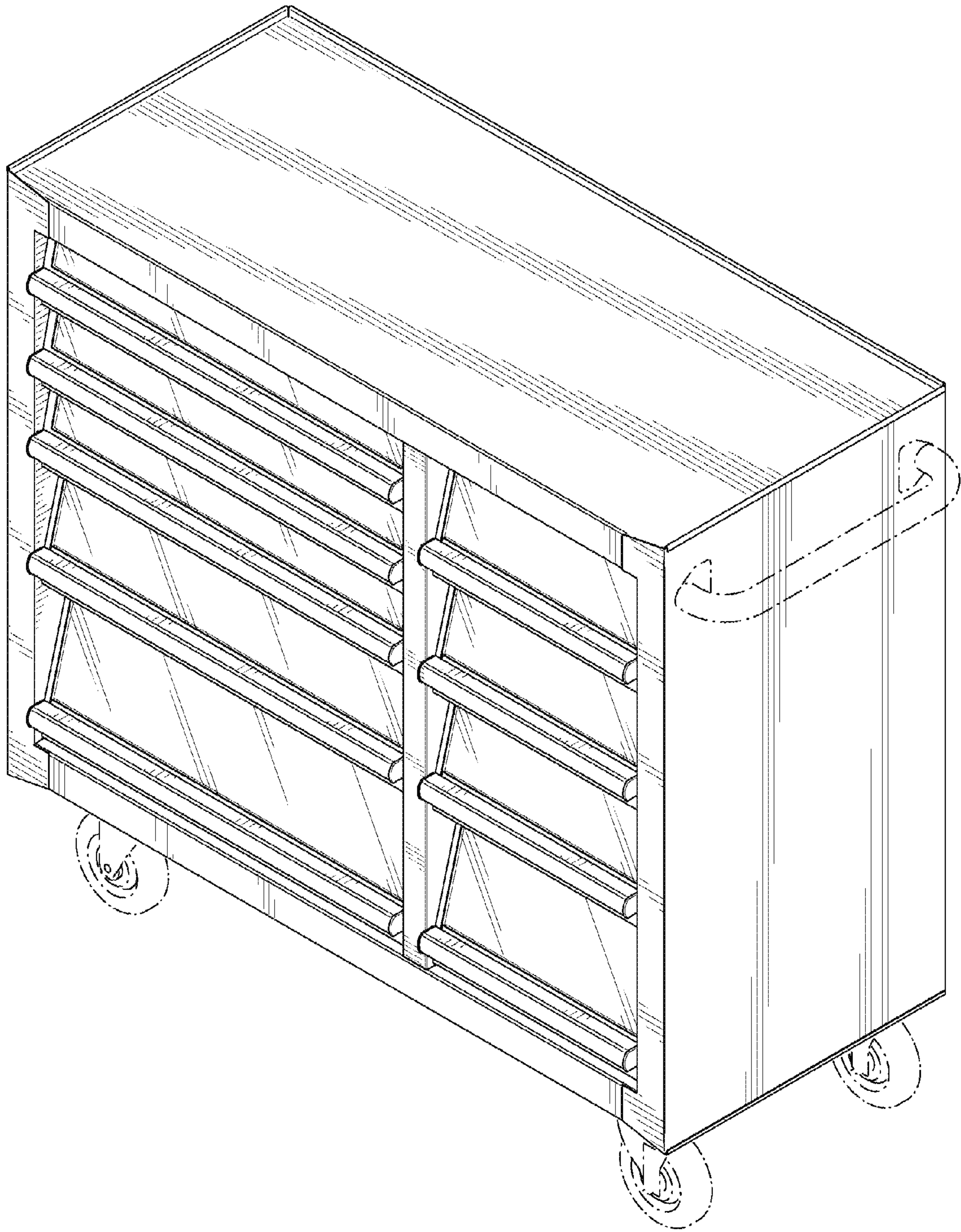


FIG. 11

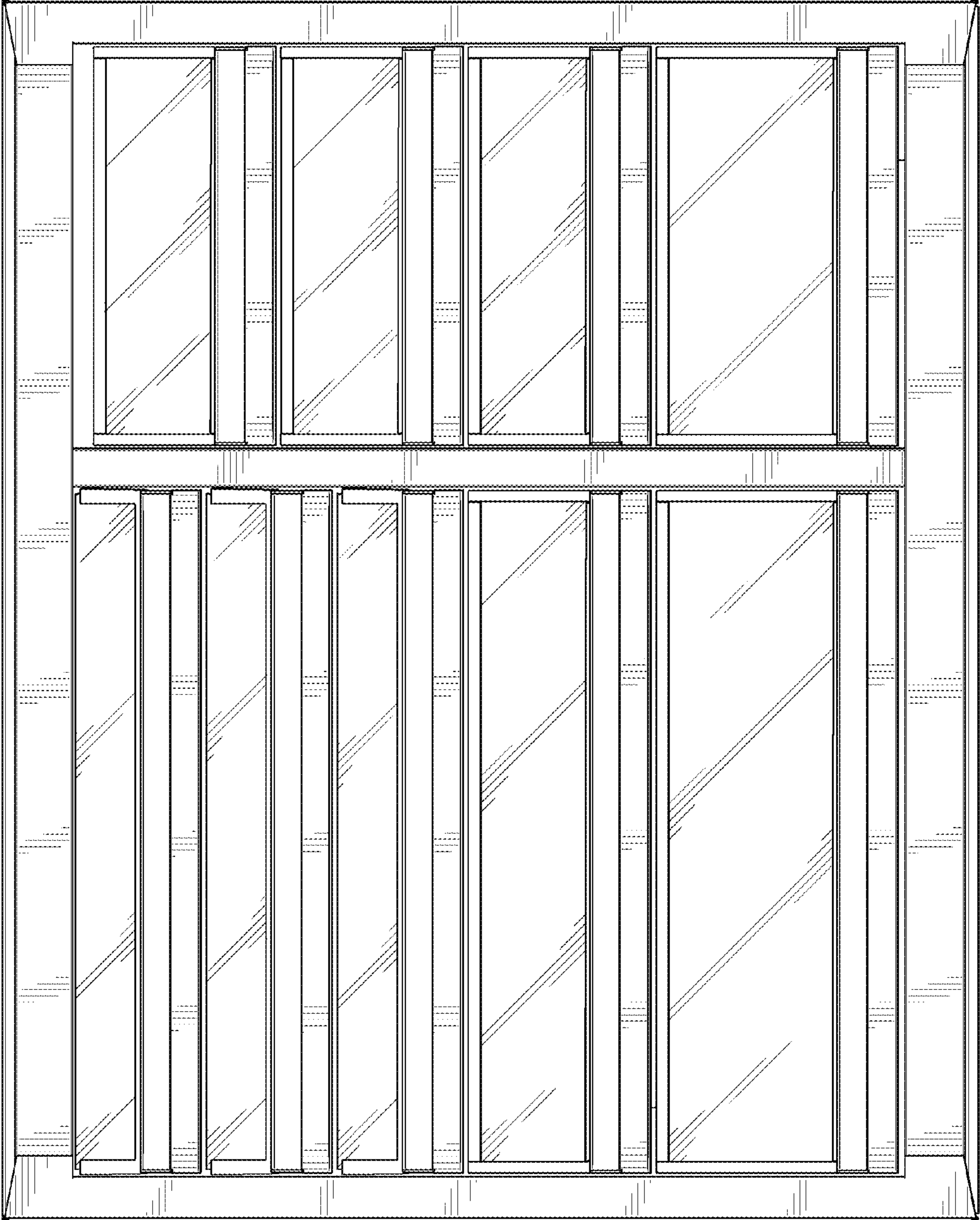


FIG. 12



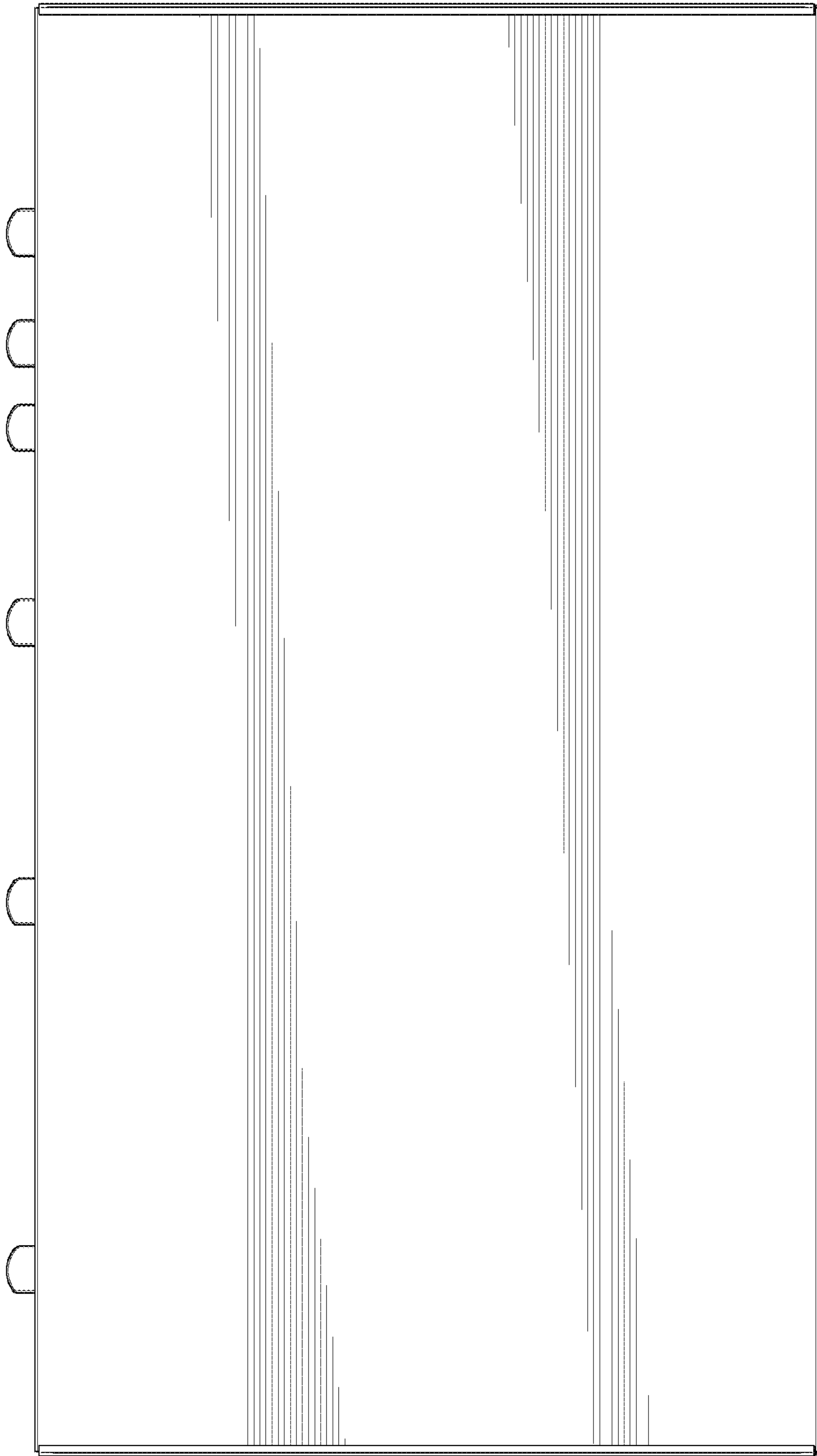


FIG. 13

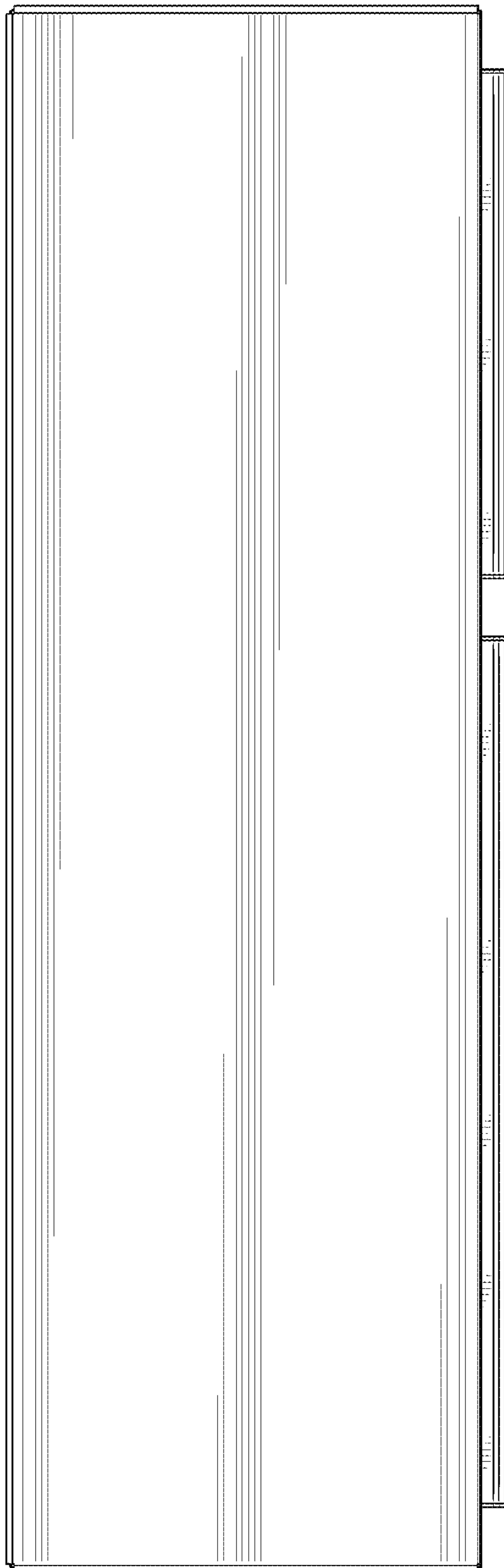


FIG. 14

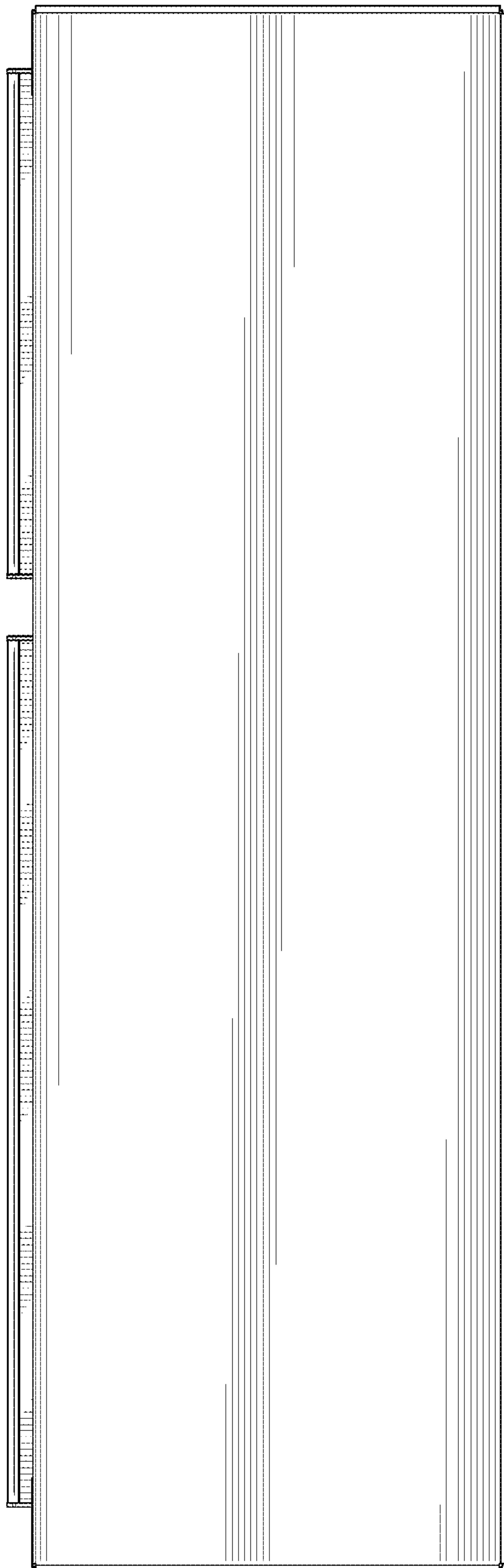


FIG. 15