



US00D723840S

(12) **United States Design Patent**
Schärer et al.

(10) **Patent No.:** **US D723,840 S**
(45) **Date of Patent:** **** Mar. 10, 2015**

(54) **TABLE/DESK**

- (71) Applicant: **USM Holding AG**, Muri bei Bern (CH)
- (72) Inventors: **Alexander Schärer**, Bern (CH);
Memduh Ali Tayar, New York, NY (US);
Thomas Dienes, Bern (CH)
- (73) Assignee: **USM Holding AG** (CH)
- (**) Term: **14 Years**
- (21) Appl. No.: **29/494,131**
- (22) Filed: **Jun. 17, 2014**

Related U.S. Application Data

- (62) Division of application No. 29/424,572, filed on Jun. 13, 2012, now Pat. No. Des. 710,133.

(30) **Foreign Application Priority Data**

- Dec. 13, 2011 (EM) WO 641819101
- (51) **LOC (10) Cl.** **06-03**
- (52) **U.S. Cl.**
USPC **D6/656.13**
- (58) **Field of Classification Search**
USPC D6/641, 642, 656, 656.13, 691, 691.8,
D6/691.9, 691.5, 656.17, 656.16; 108/151,
108/153.1, 155, 156, 157.1, 158.12, 161,
108/50.01, 50.02; 248/188, 188.1
See application file for complete search history.

(56) **References Cited**

U.S. PATENT DOCUMENTS

D228,107	S	*	8/1973	Davies et al.	D6/484
3,883,104	A	*	5/1975	Delafield	248/188
3,887,288	A	*	6/1975	Glaser	D6/484
D266,127	S	*	9/1982	Chapin	D6/484
D330,299	S	*	10/1992	Saotome	D6/429
D336,393	S	*	6/1993	Saotome	D6/484
D455,300	S	*	4/2002	Davies et al.	D6/484
D710,133	S	*	8/2014	Scharer et al.	D6/656.17

OTHER PUBLICATIONS

USM Modular Furniture, USM Haller Table, http://www.usm.com/pdf/produkte/usm_haller_tisch/masse/masse_details_123_usa.pdf, available at least as early as Jun. 13, 2011.
USM Modular Furniture, USM Kitos Table, http://www.usm.com/pdf/produkte/usm_kitos/masse/masse_details_133_usa.pdf, available at least as early as Jun. 13, 2011.

* cited by examiner

Primary Examiner — Janice Seeger

(74) *Attorney, Agent, or Firm* — Saidman DesignLaw Group, LLC

(57) **CLAIM**

The ornamental design for a table/desk, as shown and described.

DESCRIPTION

FIG. 1 is a front perspective view of a table/desk showing our new design;

FIG. 2 is a rear perspective view thereof;

FIG. 3 is a front view thereof;

FIG. 4 is a rear view thereof;

FIG. 5 is a right side view, the left side view being a mirror image thereof;

FIG. 6 is a top view thereof;

FIG. 7 is a partial, enlarged top view thereof;

FIG. 8 is a front perspective view thereof, showing the top in an elevated position;

FIG. 9 is a front perspective view thereof, showing the top in an elevated position and extended forward; and,

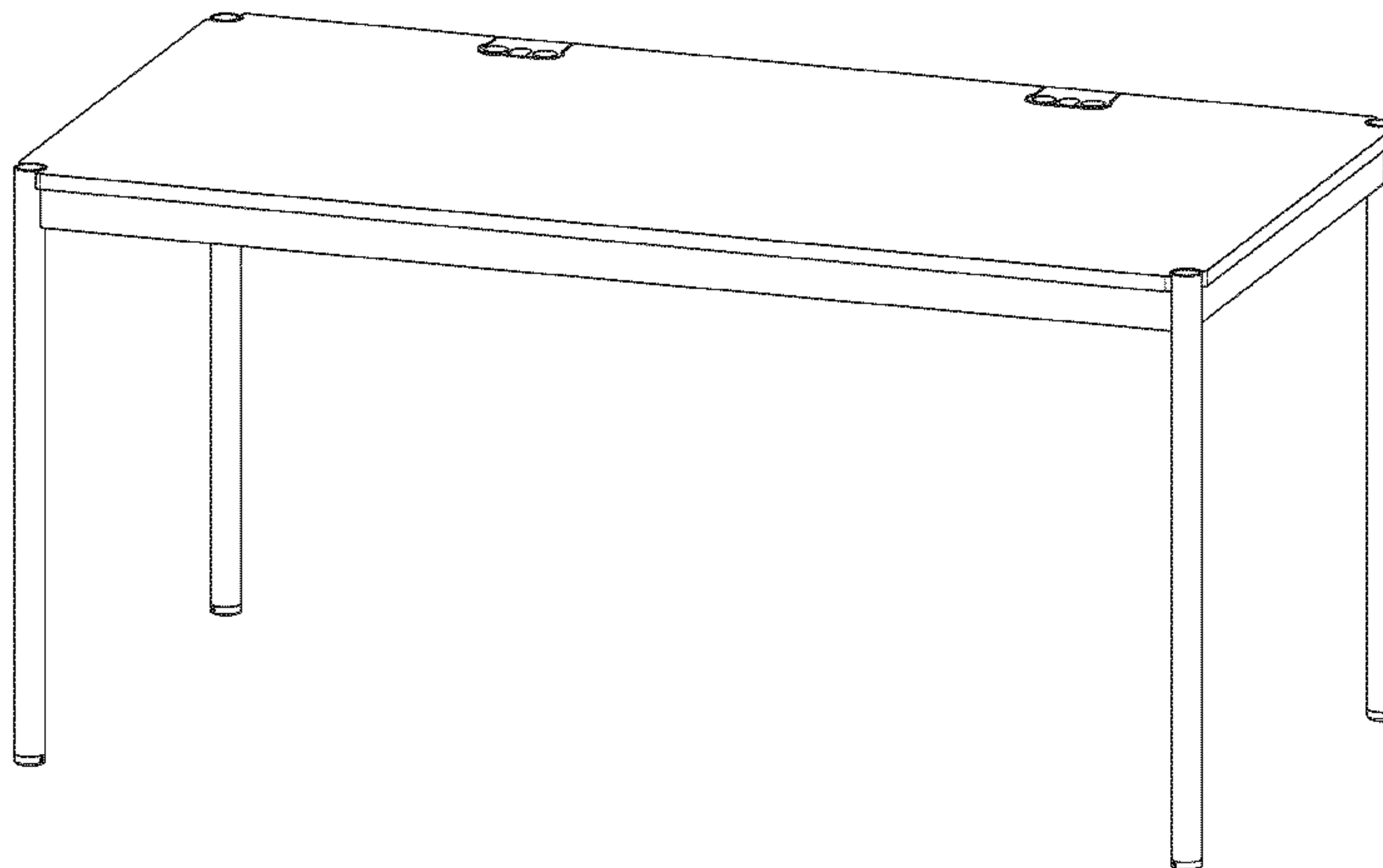
FIG. 10 is a front perspective view thereof, showing the top in an elevated position and extended forward further than in FIG. 9.

The drawings include CAD lines that represent contour and not surface decoration.

The dashed broken lines illustrate structure that forms no part of the claimed design.

The dot-dash broken lines illustrate areas of enlargement; the dot-dash lines themselves form no part of the claimed design.

1 Claim, 10 Drawing Sheets



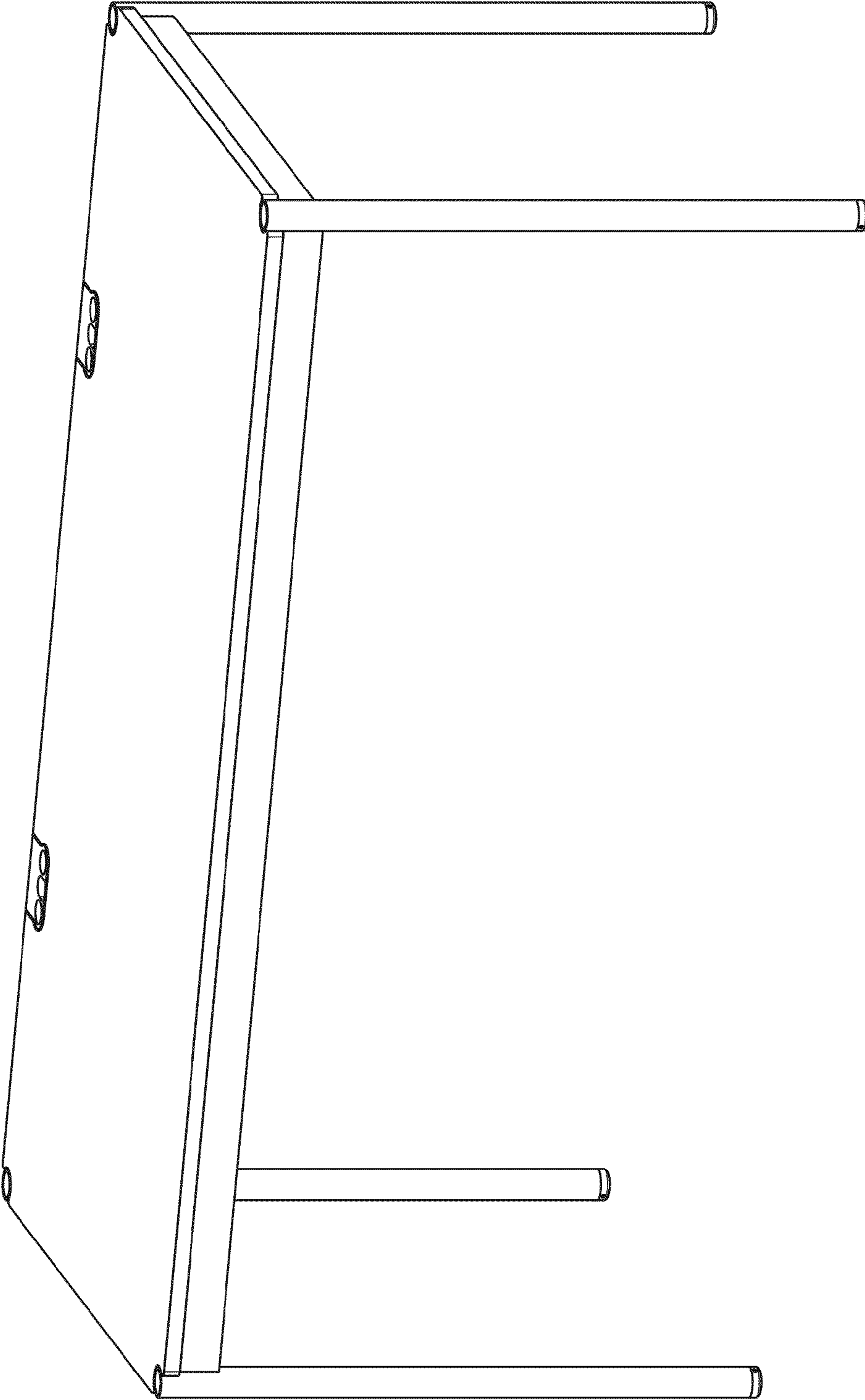


FIG. 1

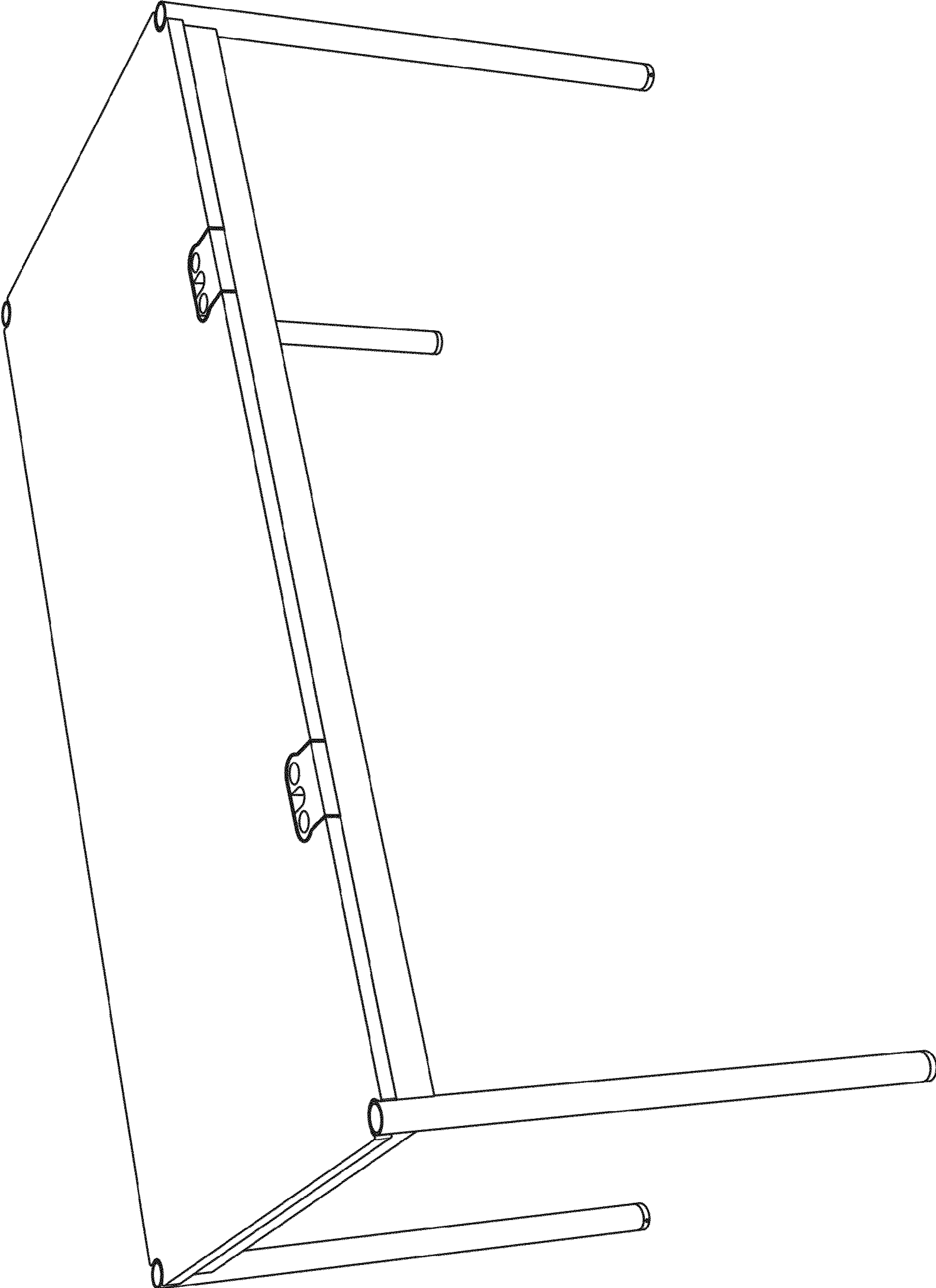


FIG. 2



FIG. 3

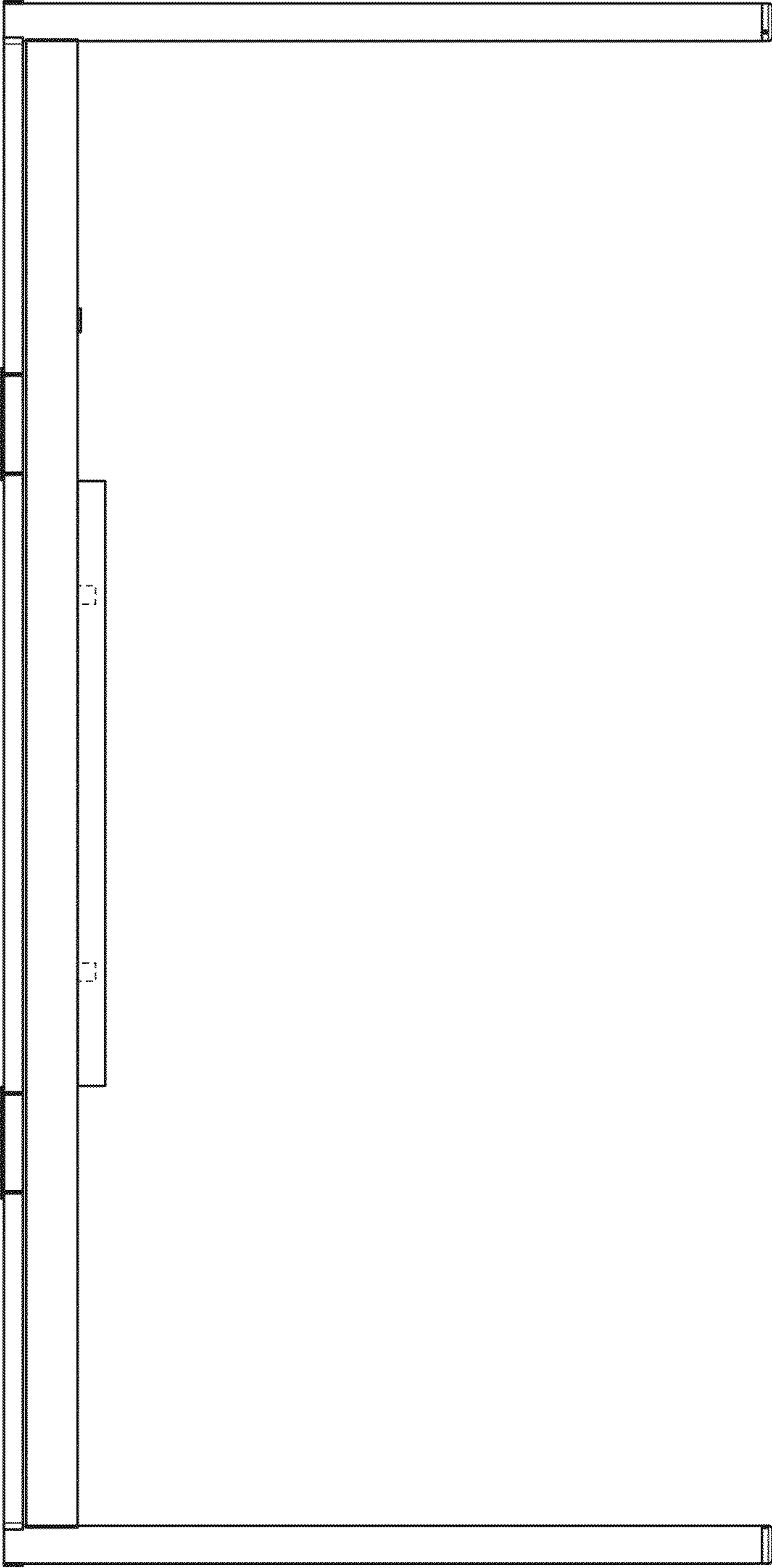


FIG. 4

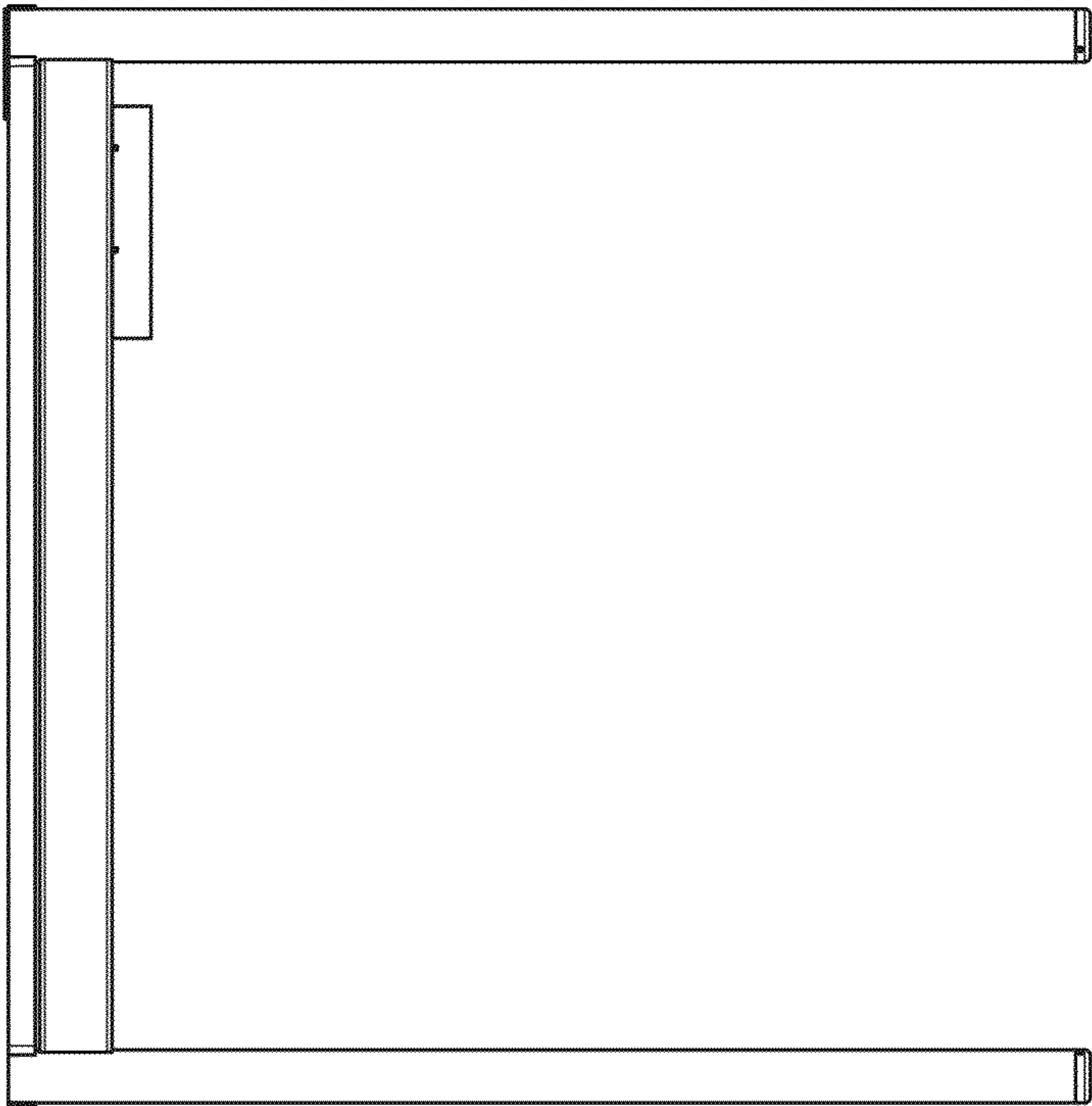


FIG. 5

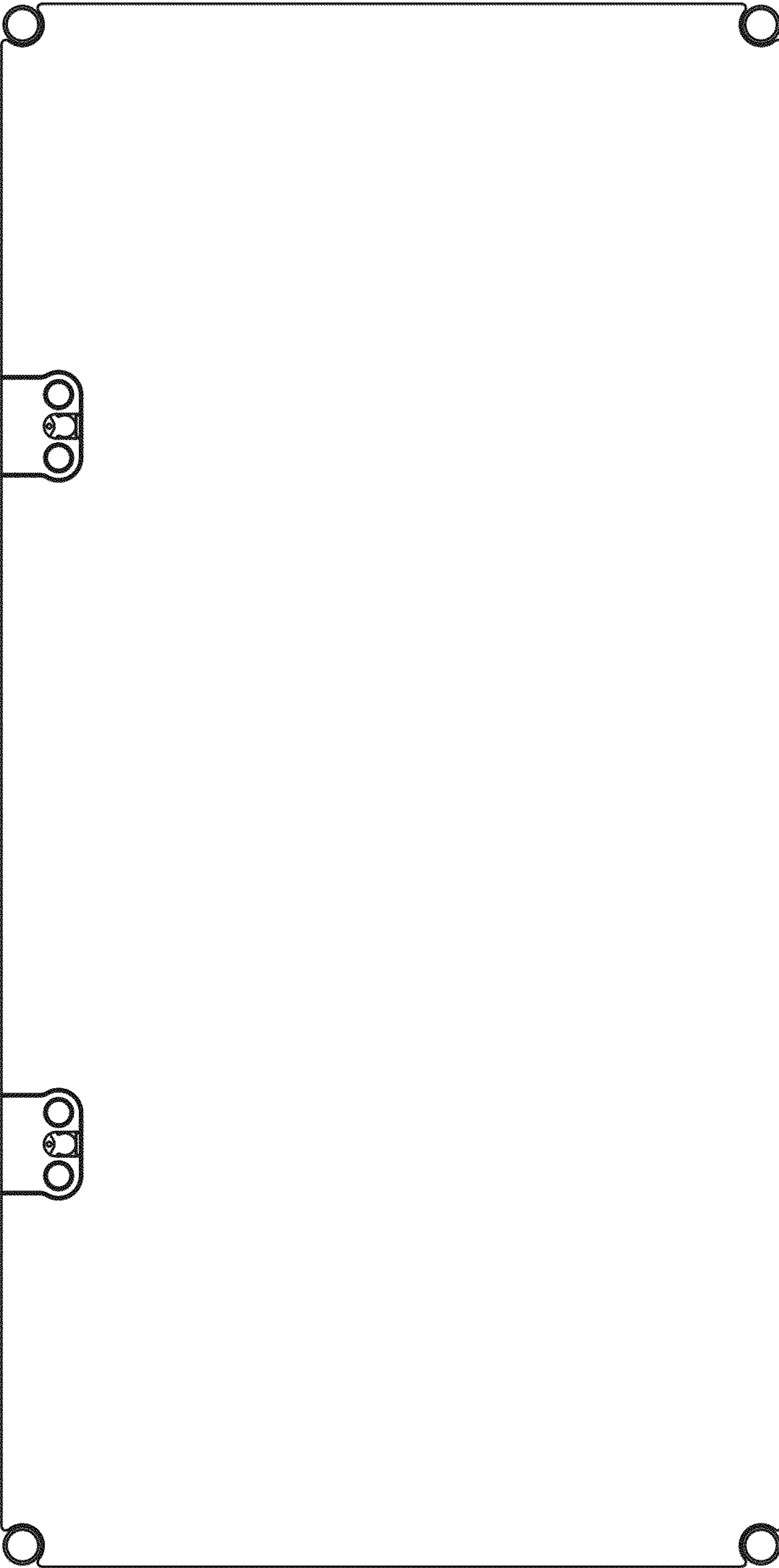


FIG. 6

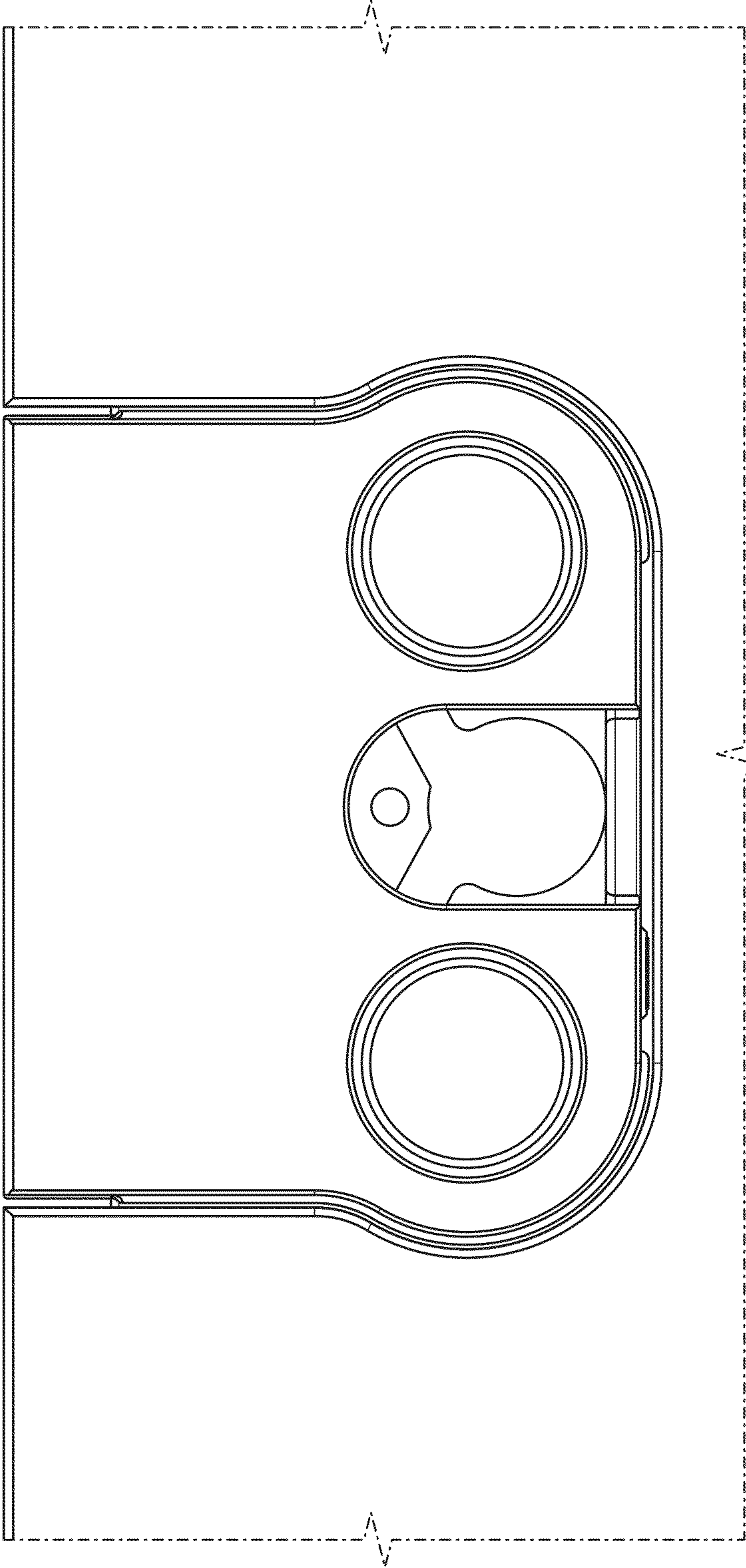


FIG. 7

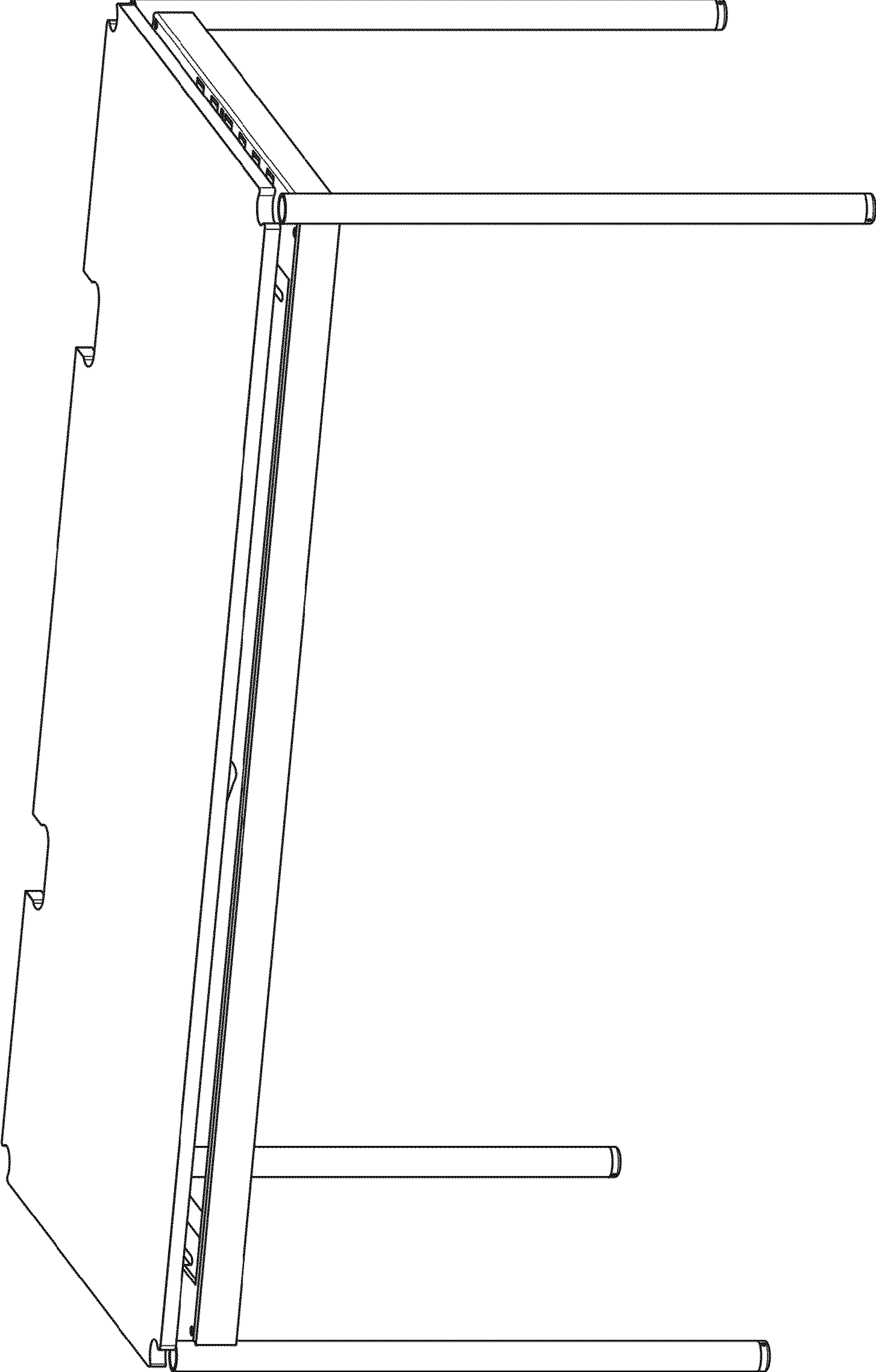


FIG. 8

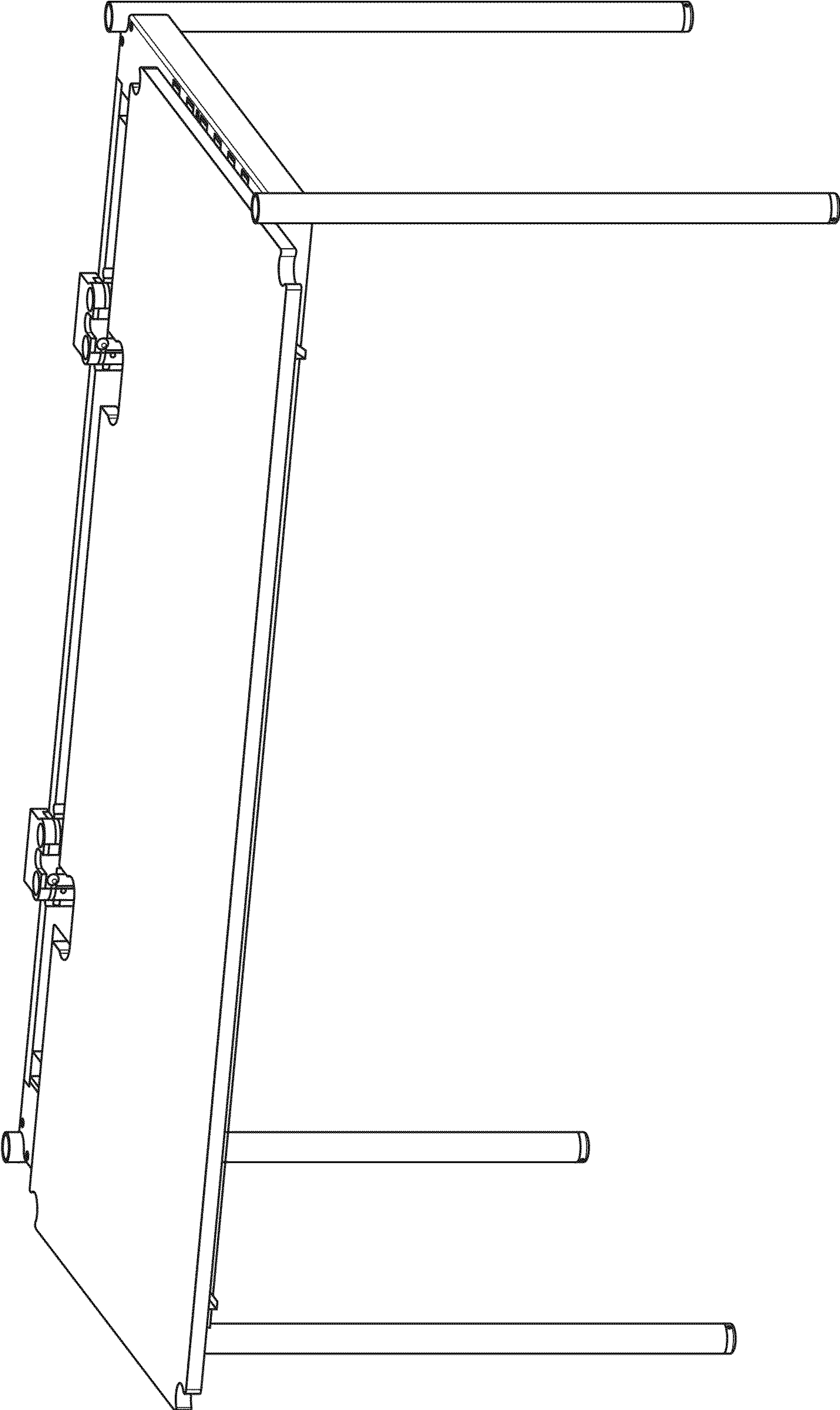


FIG. 9

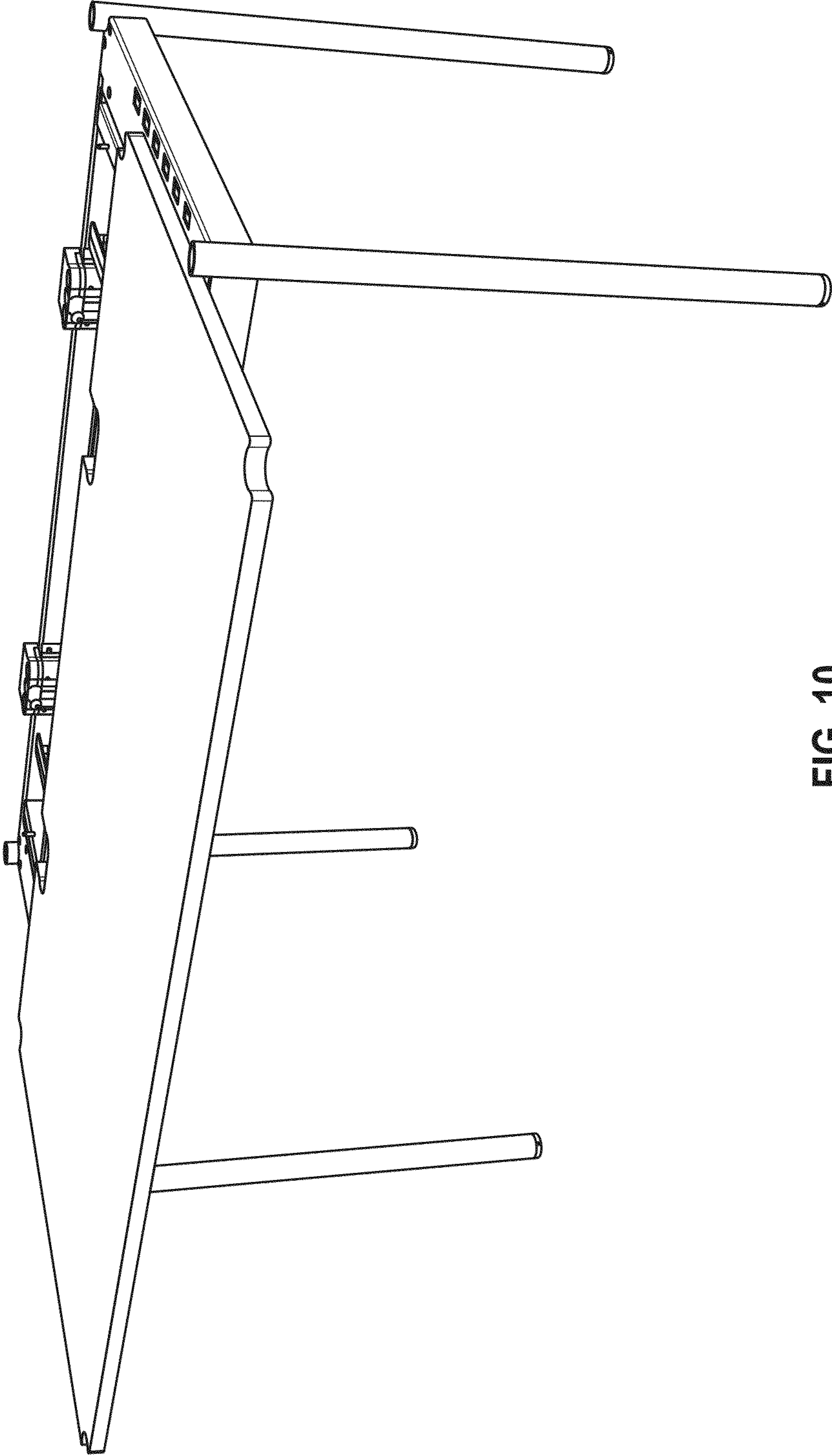


FIG. 10