

US00D723834S

(12) **United States Design Patent**  
**Tawil**

(10) **Patent No.:** **US D723,834 S**  
(45) **Date of Patent:** **\*\* Mar. 10, 2015**

- (54) **SHOWER CADDY**
- (71) Applicant: **IDP L.L.C.**, New York, NY (US)
- (72) Inventor: **Joseph Tawil**, Brooklyn, NY (US)
- (73) Assignee: **IDP, L.L.C.**, New York, NY (US)
- (\*\*) Term: **14 Years**
- (21) Appl. No.: **29/509,556**
- (22) Filed: **Nov. 19, 2014**
- (51) **LOC (10) Cl.** ..... **23-02**
- (52) **U.S. Cl.**  
USPC ..... **D6/525**
- (58) **Field of Classification Search**  
USPC ..... D6/524, 525, 566, 536, 540; 211/13.1,  
211/74, 71.01, 86.01, 75, 88.01, 90.01,  
211/90.03, 106, 126.1, 119, 181.1, 133.5,  
211/134  
See application file for complete search history.

D632,513 S *	2/2011	Cittadino	.....	D6/525
D647,747 S *	11/2011	Guindi	.....	D6/525
D677,089 S *	3/2013	Tawil	.....	D6/525
D677,956 S *	3/2013	Tawil	.....	D6/525
D694,548 S *	12/2013	Snell	.....	D6/525

\* cited by examiner

*Primary Examiner* — Brian N Vinson  
(74) *Attorney, Agent, or Firm* — Kirschstein, et al,

(57) **CLAIM**

The ornamental design for a shower caddy, as shown and described.

**DESCRIPTION**

FIG. 1 is a perspective view of a shower caddy according to my new design;  
FIG. 2 is a top plan view thereof;  
FIG. 3 is a front elevational view thereof;  
FIG. 4 is a right side elevational view thereof, the left side being a mirror image;  
FIG. 5 is a rear elevational view thereof; and,  
FIG. 6 is a bottom plan view thereof.

(56) **References Cited**

**U.S. PATENT DOCUMENTS**

D575,087 S \* 8/2008 Ghiorghie ..... D6/525

**1 Claim, 5 Drawing Sheets**

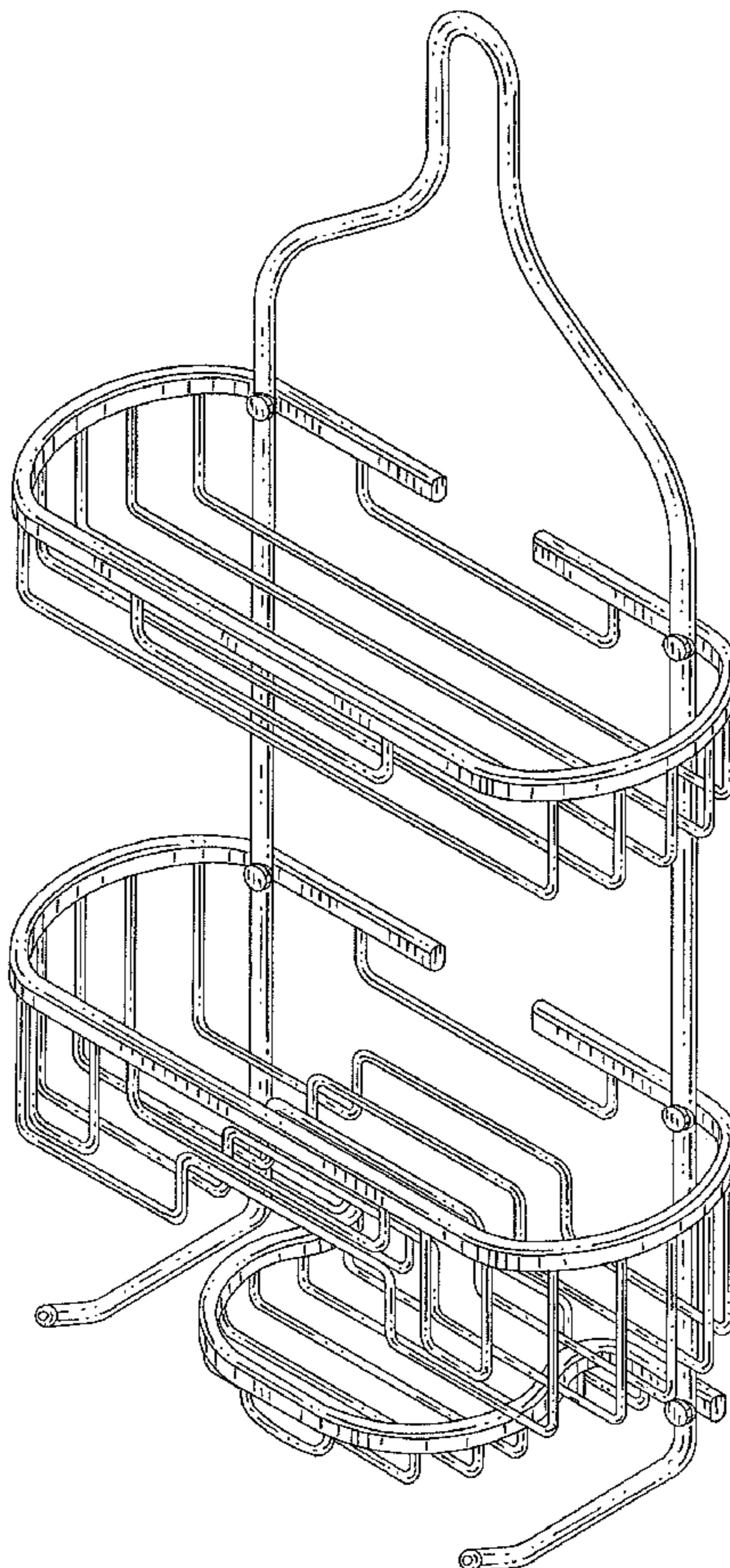


FIG. 1

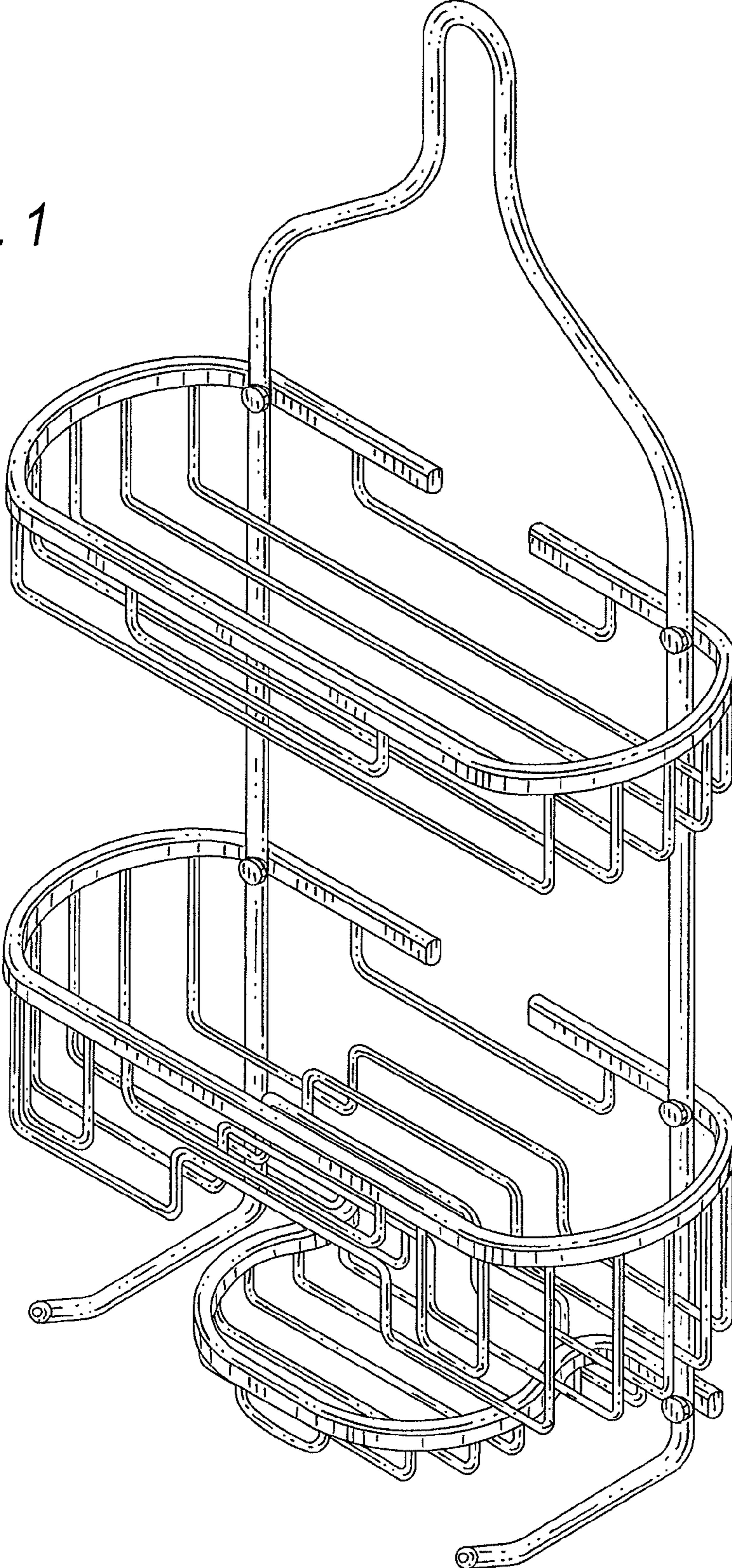


FIG. 2

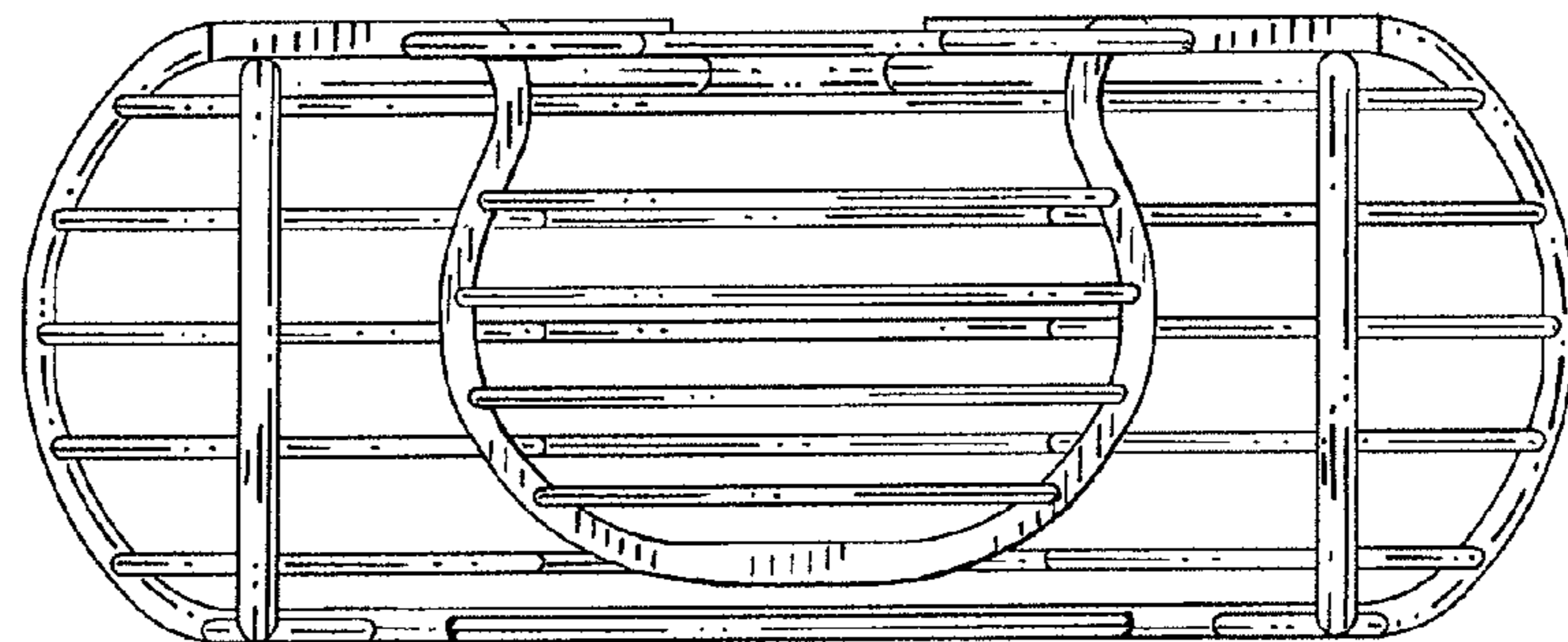
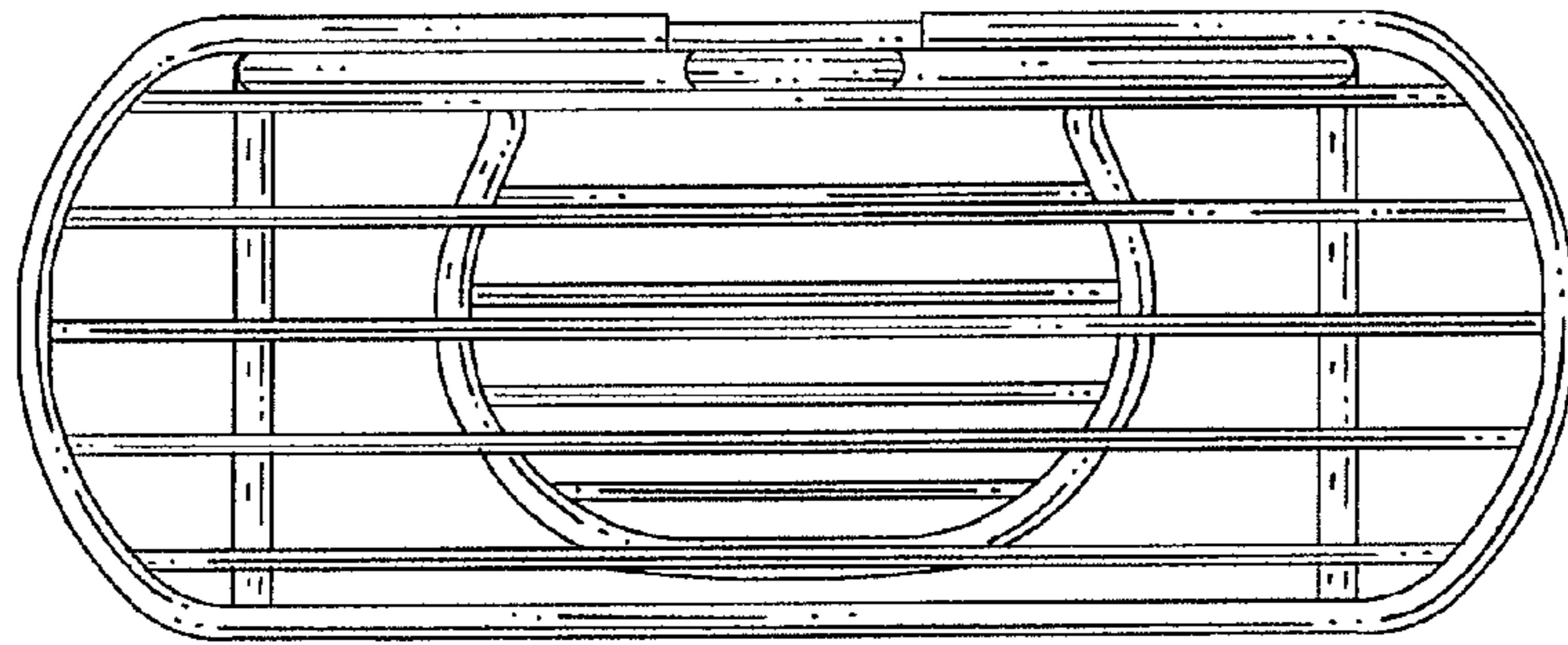


FIG. 6

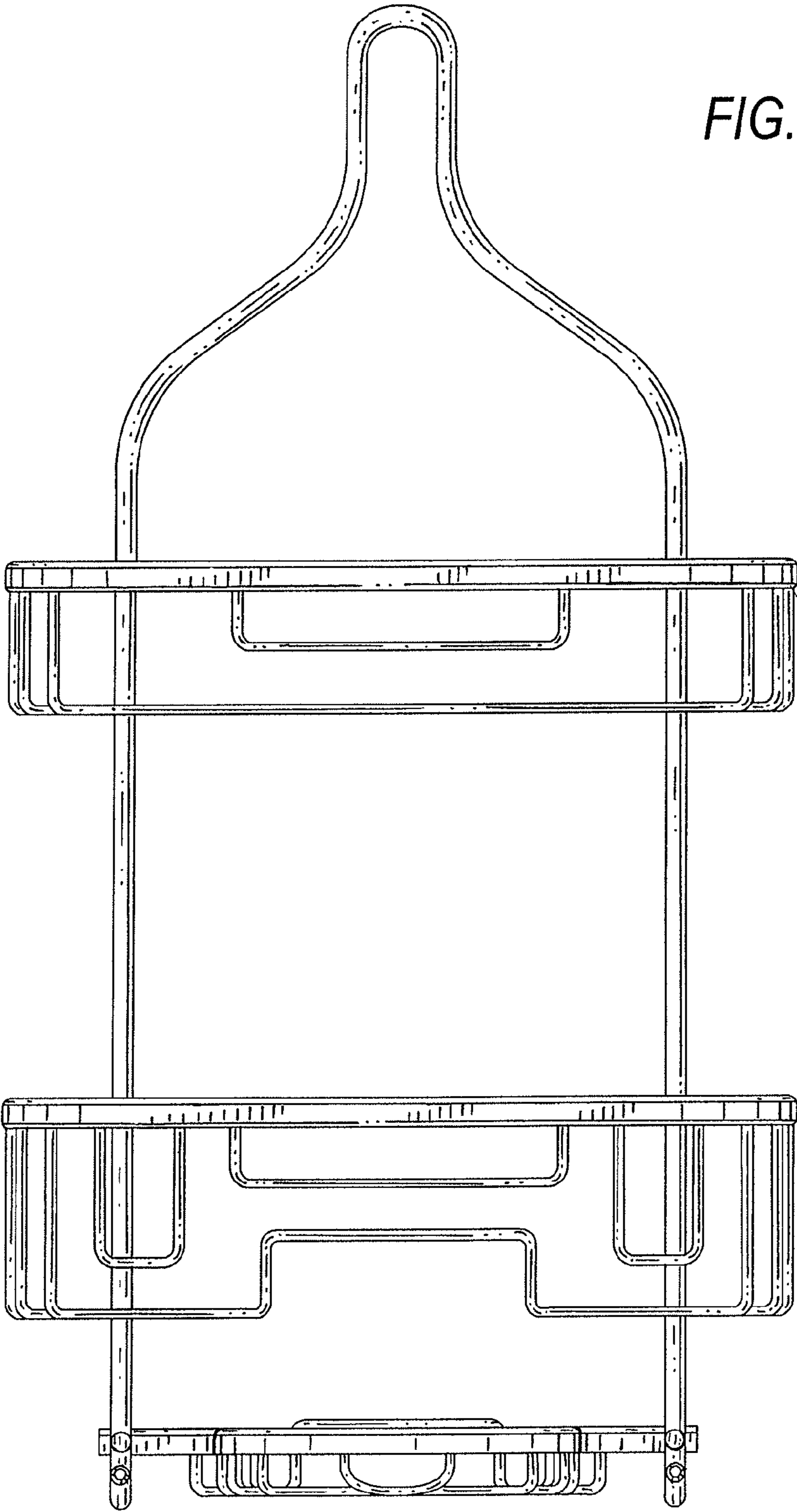


FIG. 3

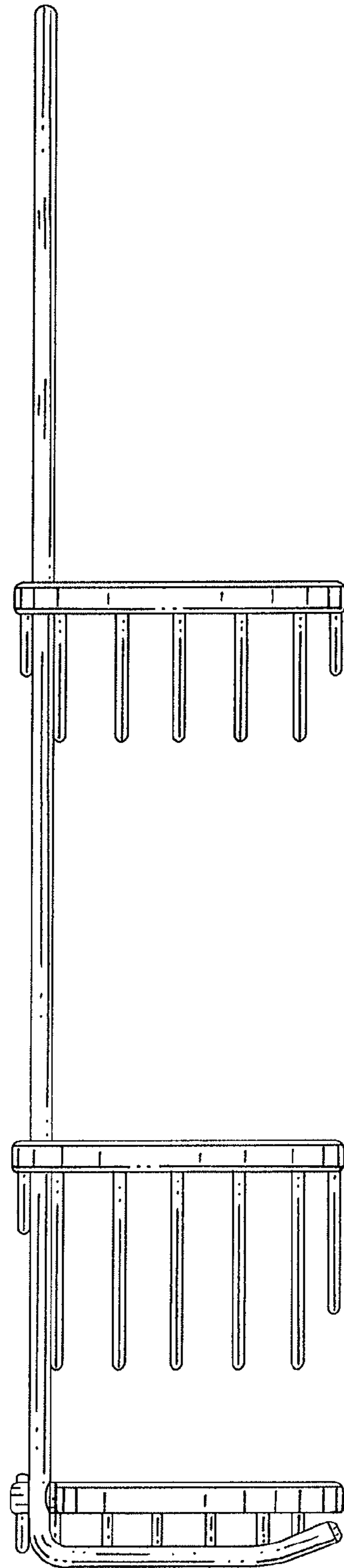


FIG. 4

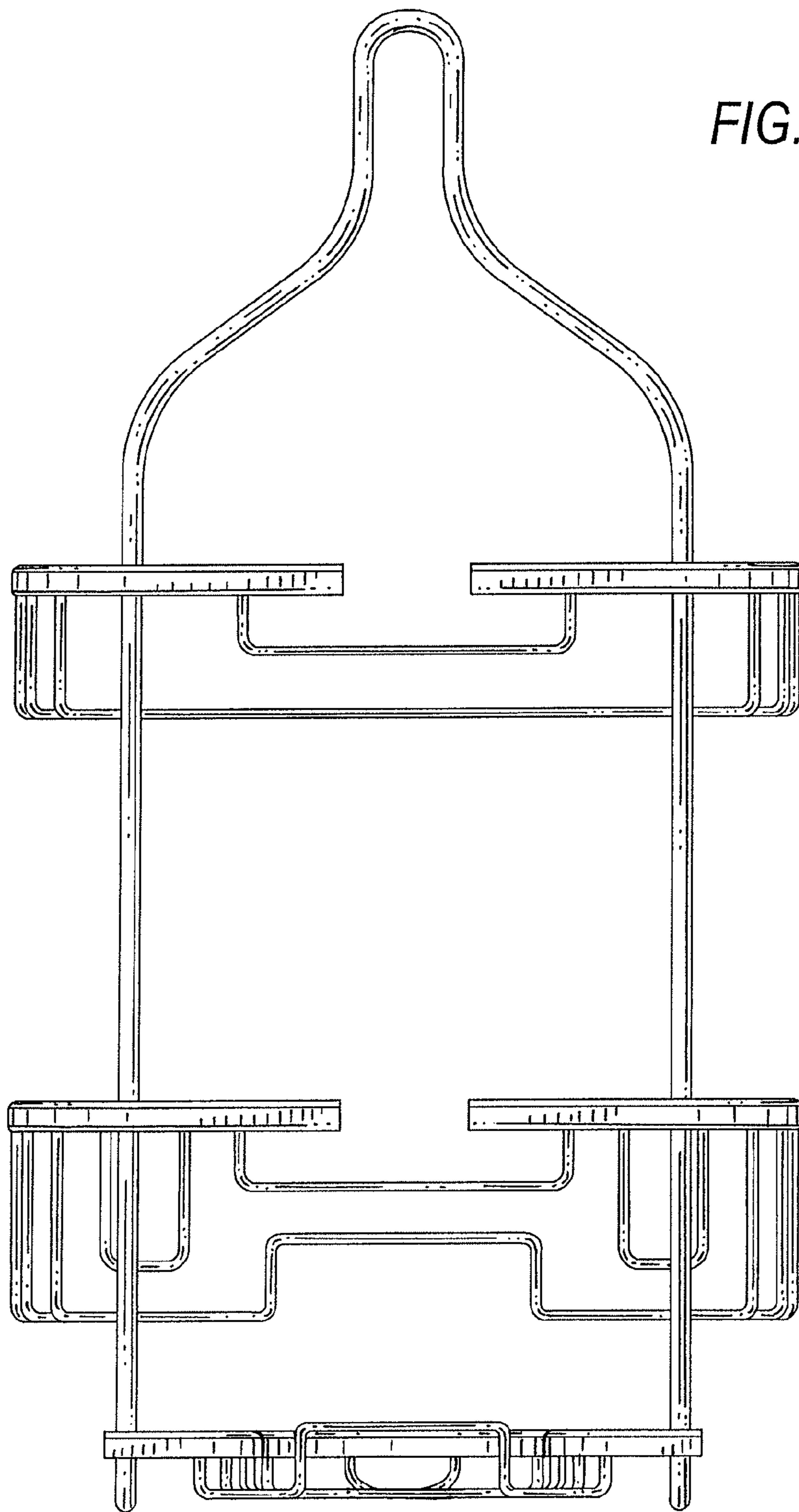


FIG. 5