



US00D723830S

(12) **United States Design Patent**  
**Tcholakov et al.**

(10) **Patent No.:** **US D723,830 S**  
(45) **Date of Patent:** **\*\* Mar. 10, 2015**

- (54) **FOLDABLE TRAY**
- (71) Applicants: **Stayko Tcholakov**, San Diego, CA (US);  
**Isabelle Tcholakov**, San Diego, CA (US)
- (72) Inventors: **Stayko Tcholakov**, San Diego, CA (US);  
**Isabelle Tcholakov**, San Diego, CA (US)
- (\*\*) Term: **14 Years**
- (21) Appl. No.: **29/495,098**
- (22) Filed: **Jun. 26, 2014**
- (51) **LOC (10) Cl.** ..... **06-06**
- (52) **U.S. Cl.**  
USPC ..... **D6/406.6**
- (58) **Field of Classification Search**  
USPC ..... D6/406.1-406.6, 421-422; D19/91-92;  
108/43, 115; D7/552.2, 554.3-554.4  
See application file for complete search history.

D404,219	S	*	1/1999	Patterson	.....	D6/406.6
D404,589	S	*	1/1999	Taylor	.....	D6/406.4
D428,729	S	*	8/2000	Weitzman et al.	.....	D6/406.6
D438,402	S	*	3/2001	Walsh	.....	D6/449
D455,025	S	*	4/2002	Weitzman et al.	.....	D6/406.5
D499,574	S	*	12/2004	Spicer	.....	D6/406.3
D538,355	S	*	3/2007	Tyson	.....	D21/397
D539,569	S	*	4/2007	Lewis	.....	D6/484
D551,876	S	*	10/2007	Gusdorf et al.	.....	D6/406.6
D619,822	S	*	7/2010	Damgaard-Sorensen	..	D6/406.1
D624,922	S	*	10/2010	Hui et al.	.....	D14/447
D635,797	S	*	4/2011	Xingyin	.....	D6/420
D642,408	S	*	8/2011	Pirkl	.....	D6/511
D650,614	S	*	12/2011	Martin et al.	.....	D6/495
8,186,530	B2	*	5/2012	Bar	.....	220/17.1
D679,921	S	*	4/2013	Kiechler	.....	D6/406.5

\* cited by examiner

*Primary Examiner* — Kelley Donnelly

(57) **CLAIM**

The ornamental design for a foldable tray, as shown and described.

**DESCRIPTION**

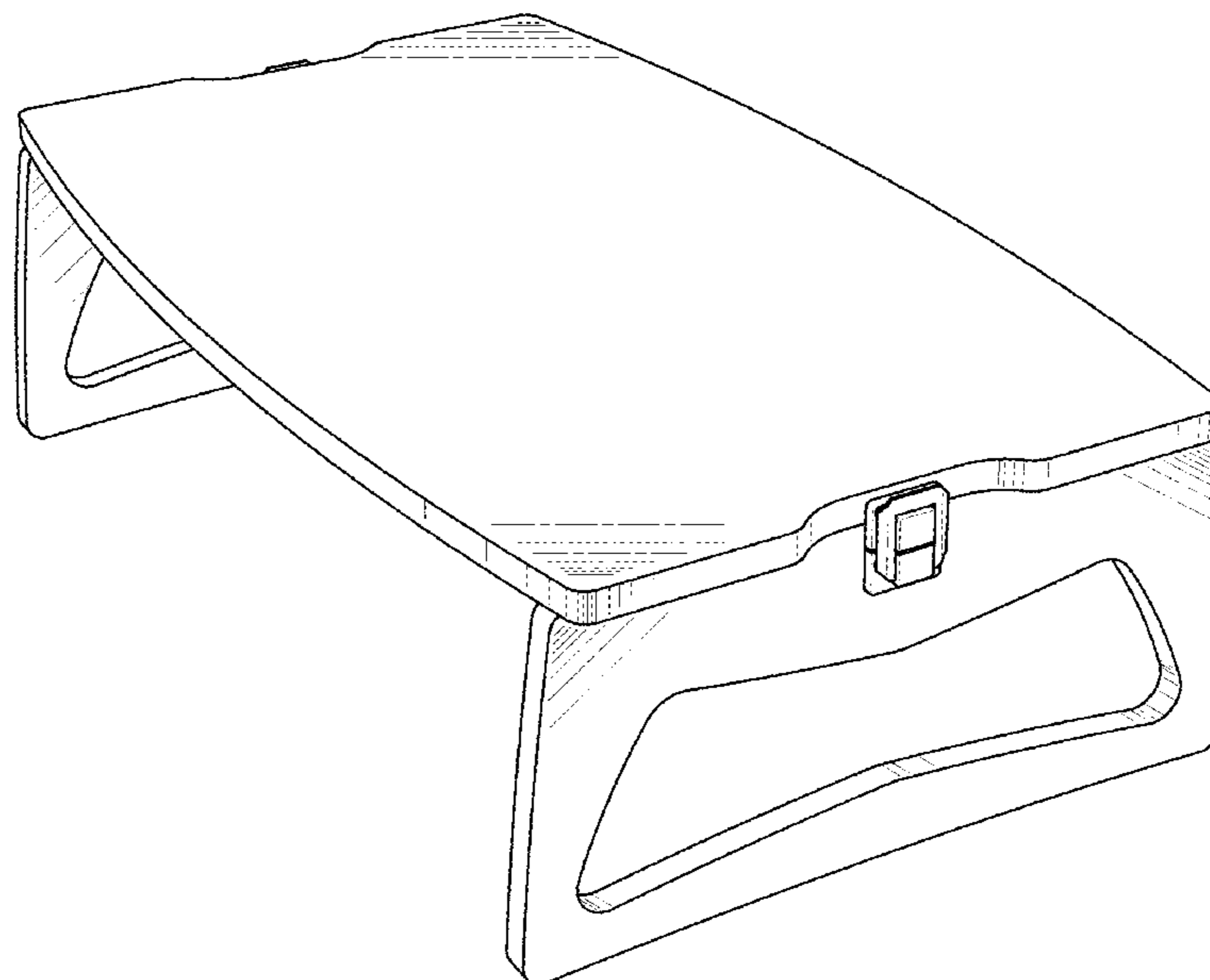
FIG. 1 is a perspective view of the tray unfolded thereof; FIG. 2 is a perspective view of the tray folded thereof; FIG. 3 is a perspective view of the tray folded in another view; FIG. 4 is a plan view thereof showing the tray folded; FIG. 5 is a side view thereof showing the tray folded; and, FIG. 6 is a side view thereof showing the tray unfolded. The broken lines showing is included for the purpose of illustrating environment and forms no part of the claimed design.

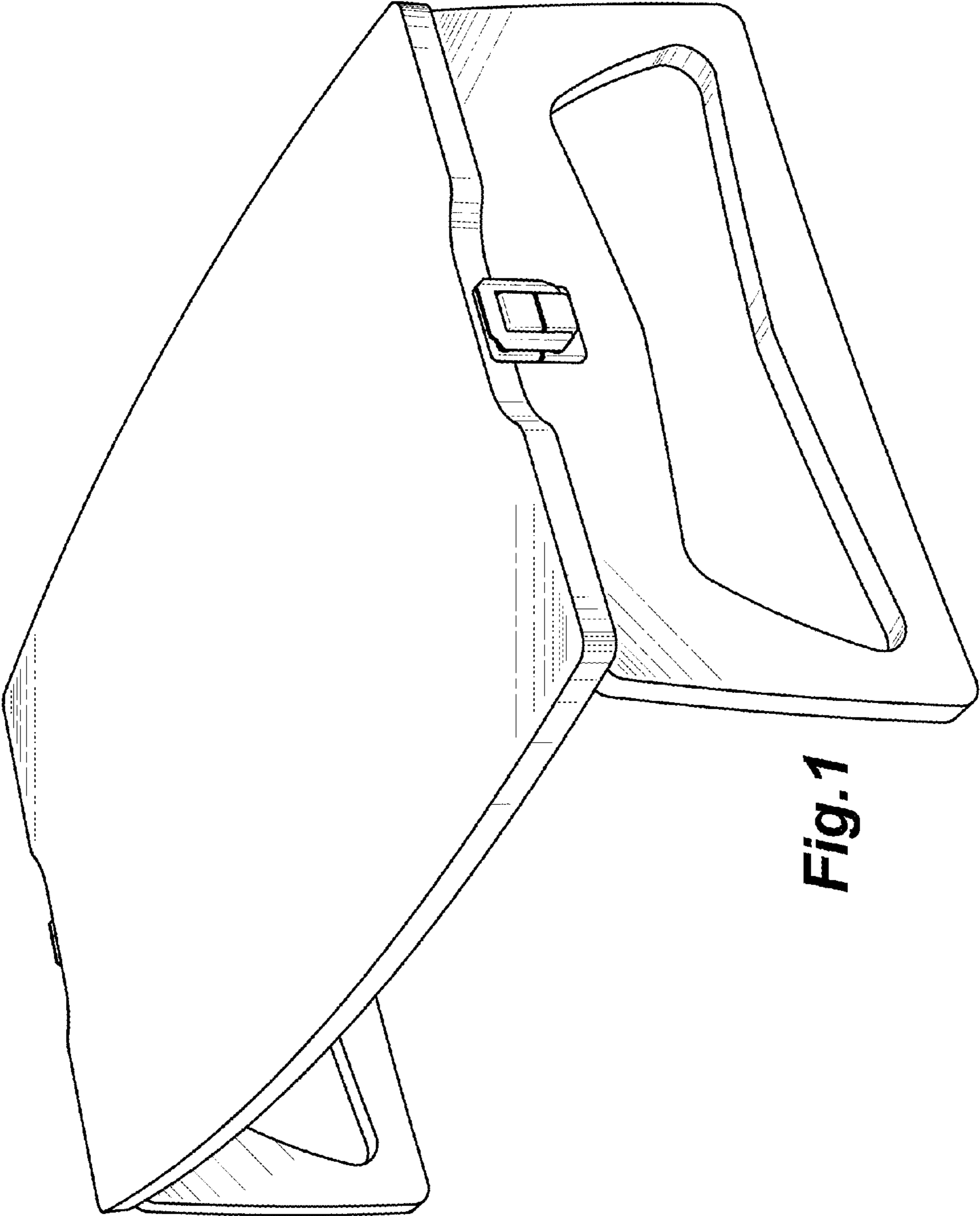
**1 Claim, 6 Drawing Sheets**

(56) **References Cited**

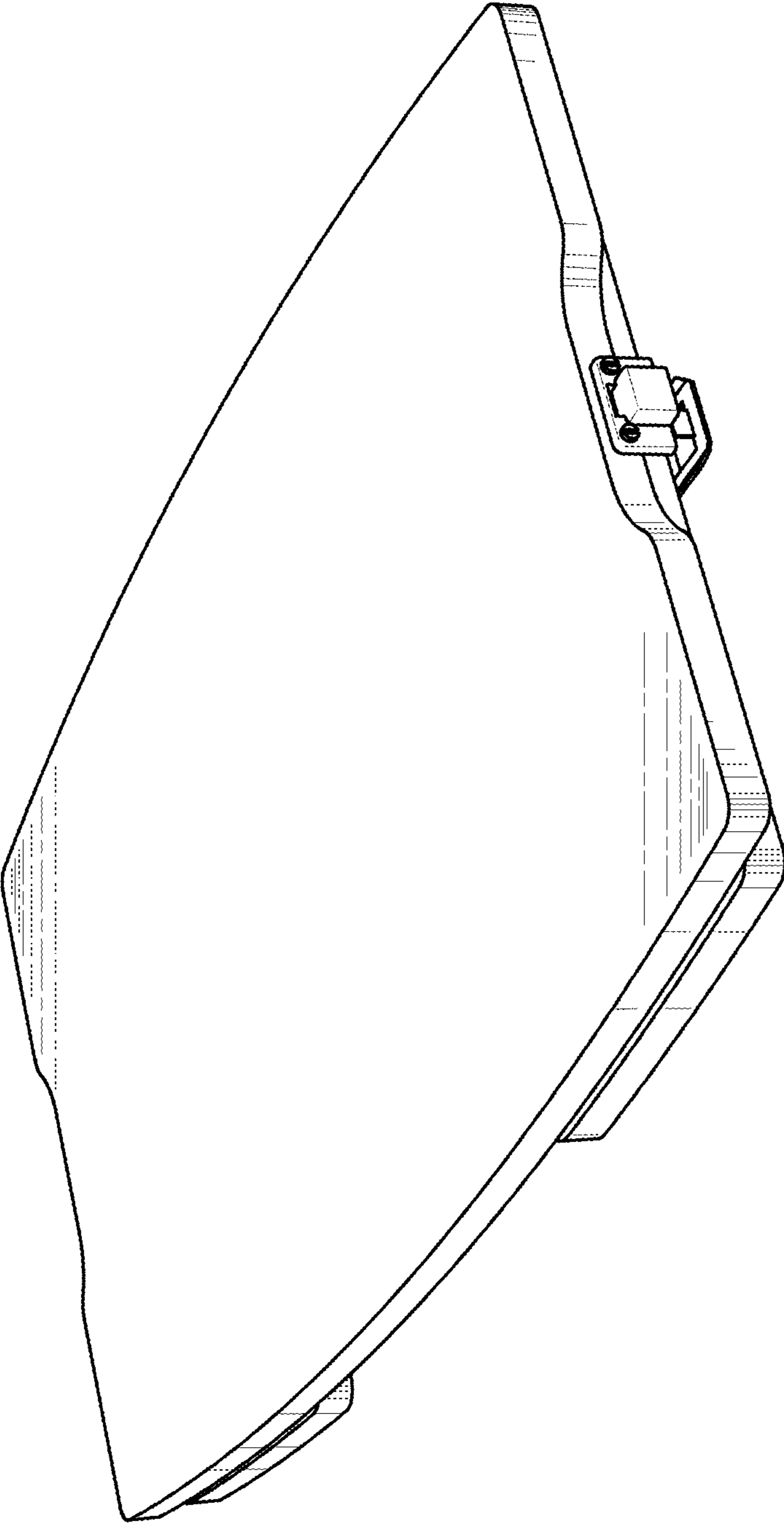
U.S. PATENT DOCUMENTS

2,003,241	A	*	5/1935	Brown	.....	248/439
2,906,412	A	*	9/1959	Tanner	.....	211/74
D281,555	S	*	12/1985	Levy	.....	D6/406.6
D319,358	S	*	8/1991	Giugiaro	.....	D6/406.6
5,055,081	A	*	10/1991	Nayak	.....	446/75
D354,636	S	*	1/1995	Cable	.....	D6/406.4
D358,511	S	*	5/1995	Frahm	.....	D6/484
5,535,682	A	*	7/1996	Aigeldinger	.....	108/25
D385,126	S	*	10/1997	Howland et al.	.....	D6/406.6
D390,718	S	*	2/1998	Howland et al.	.....	D6/406.6





**Fig. 1**



**Fig. 2**

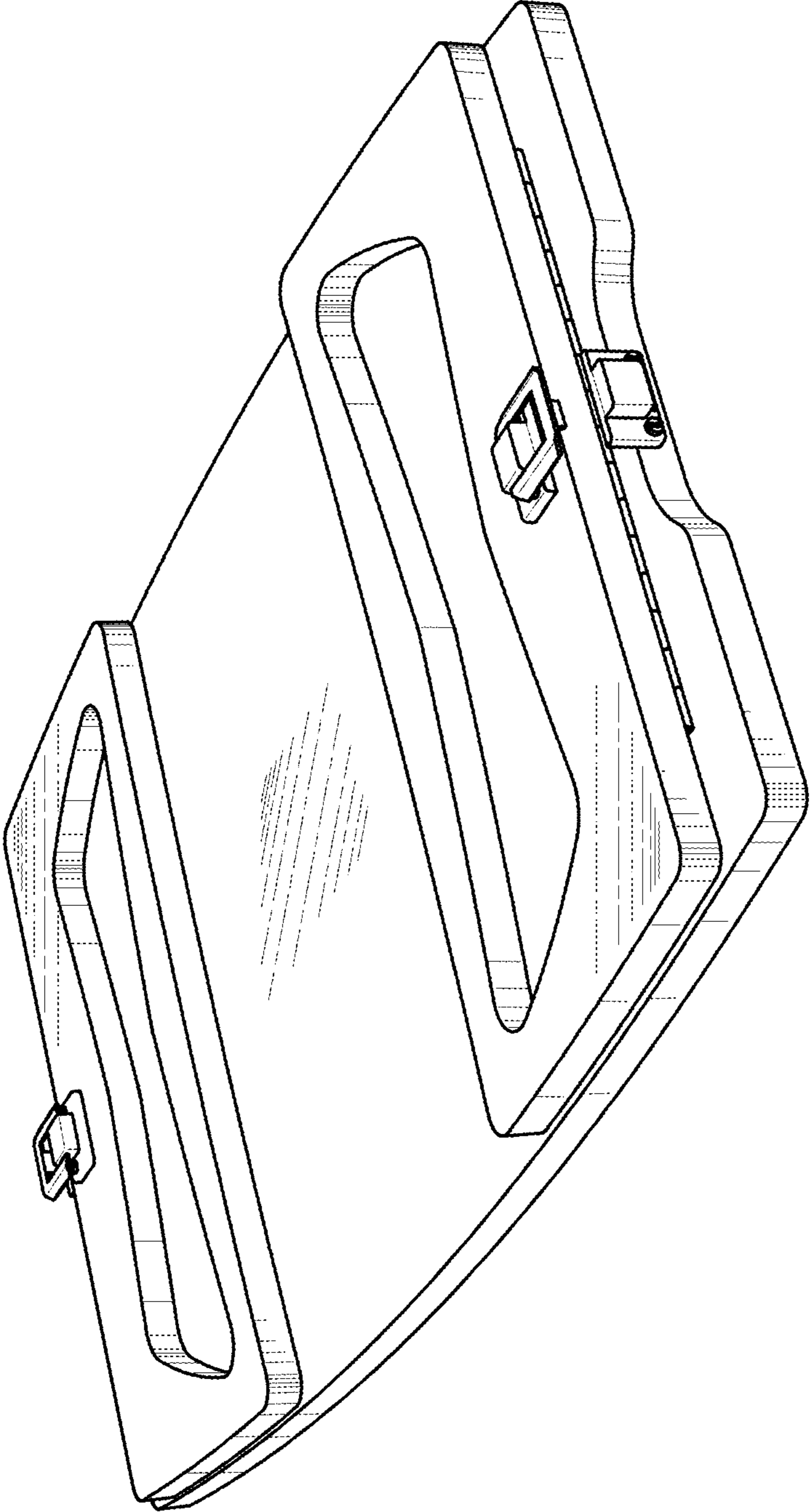
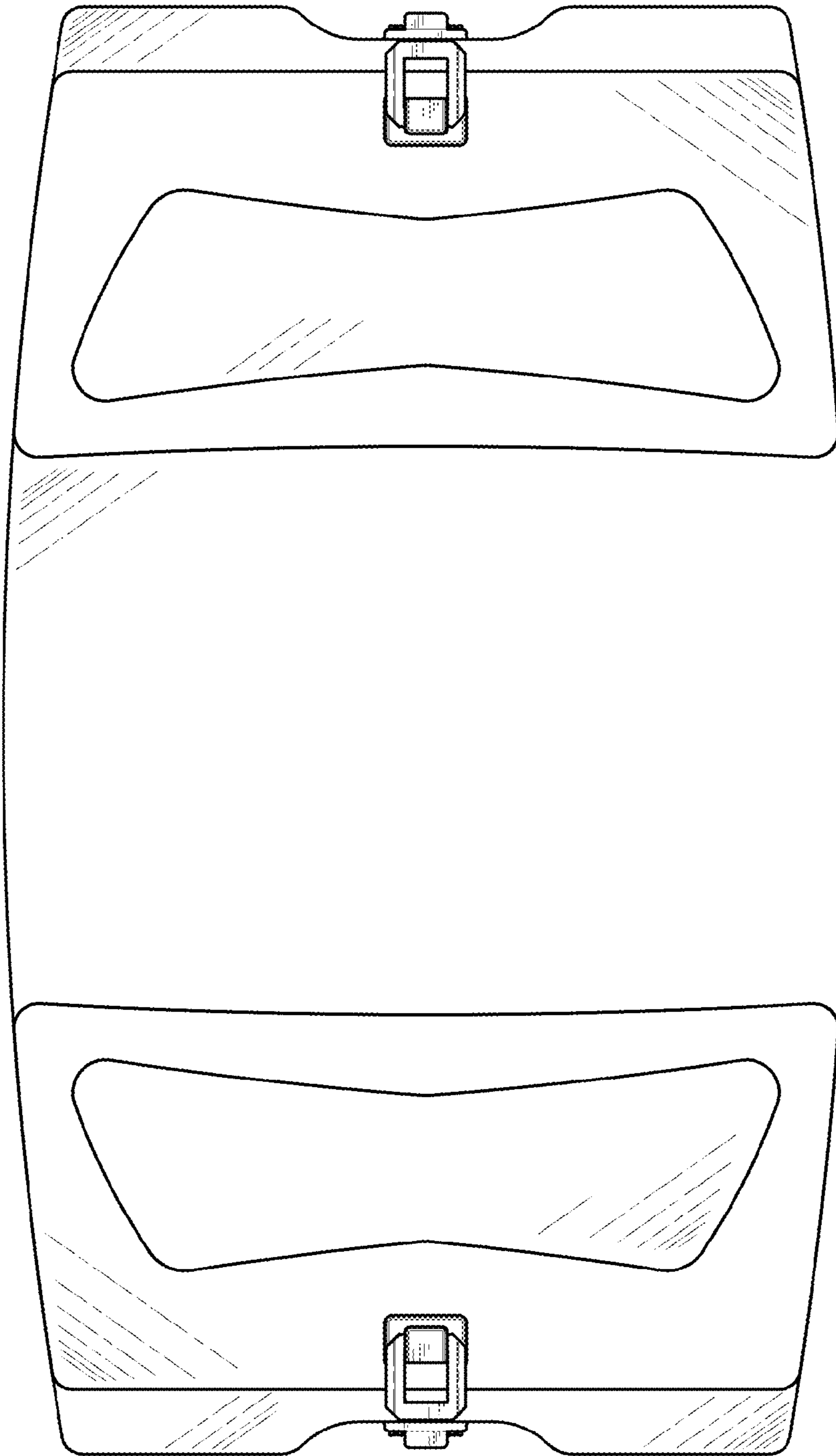
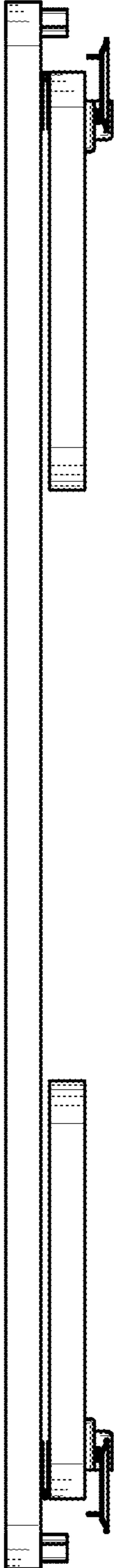


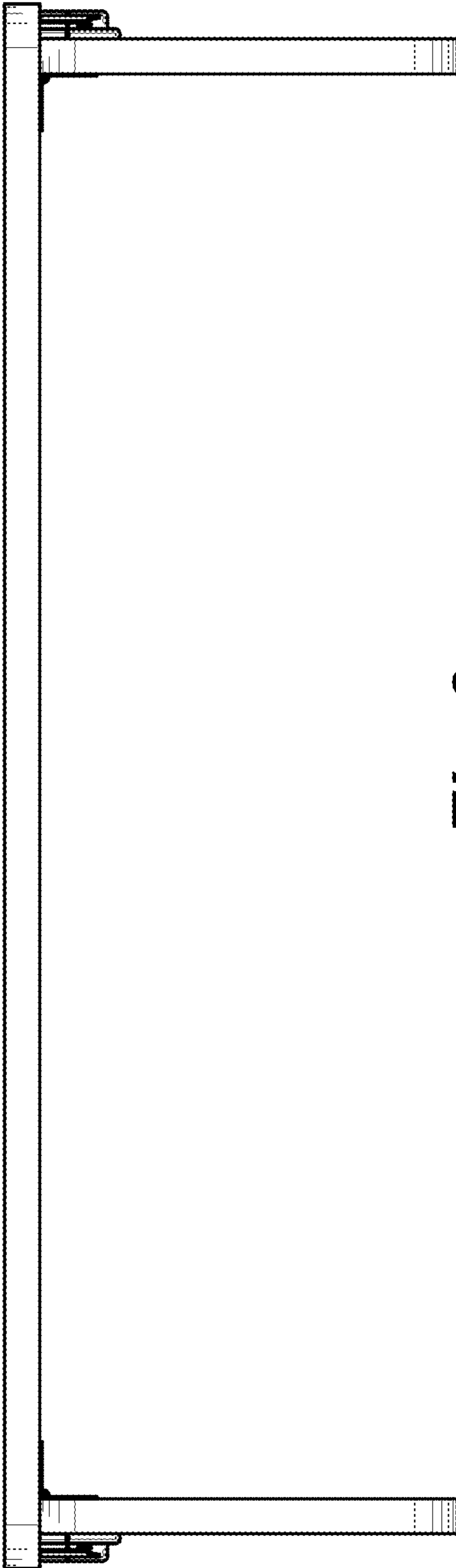
Fig. 3



**Fig.4**



**Fig. 5**



**Fig. 6**