



US00D723829S

(12) **United States Design Patent**  
**Dix**

(10) **Patent No.:** **US D723,829 S**  
(45) **Date of Patent:** **\*\* Mar. 10, 2015**

(54) **SEAT**

(71) Applicant: **Southern Motion, Inc.**, Pontotoc, MS  
(US)

(72) Inventor: **George K Dix**, Pontotoc, MS (US)

(73) Assignee: **Southern Motion, Inc.**, Pontotoc, MS  
(US)

(\*\*) Term: **14 Years**

(21) Appl. No.: **29/500,586**

(22) Filed: **Aug. 26, 2014**

(51) **LOC (10) Cl.** ..... **06-01**

(52) **U.S. Cl.**  
USPC ..... **D6/381**

(58) **Field of Classification Search**  
CPC ..... A47C 17/00; A47C 17/02; A47C 17/12;  
A47C 17/18; A47C 7/021; A47C 31/00;  
A47C 3/16  
USPC ..... D6/334, 335, 336, 381; 297/94, 118,  
297/188.01, 445.1, 448.1, 452.11, DIG. 7,  
297/DIG. 8

See application file for complete search history.

(56) **References Cited**

U.S. PATENT DOCUMENTS

D485,687 S *	1/2004	Natuzzi .....	D6/334
D489,908 S *	5/2004	Ricci .....	D6/334
D535,484 S *	1/2007	May .....	D6/336
D541,064 S *	4/2007	Miller et al. ....	D6/367
D551,869 S *	10/2007	Zambelli et al. ....	D6/367
D602,704 S *	10/2009	Tierney .....	D6/367
D654,708 S *	2/2012	Figueras Mitjans .....	D6/336

\* cited by examiner

*Primary Examiner* — Sandra Snapp

(74) *Attorney, Agent, or Firm* — Thomas G. Peterson;  
Bradley Arant Boult Cummings LLP

(57) **CLAIM**

The ornamental design for a seat, as shown and described.

**DESCRIPTION**

FIG. 1 shows a perspective view of the seat in accordance with the new design.

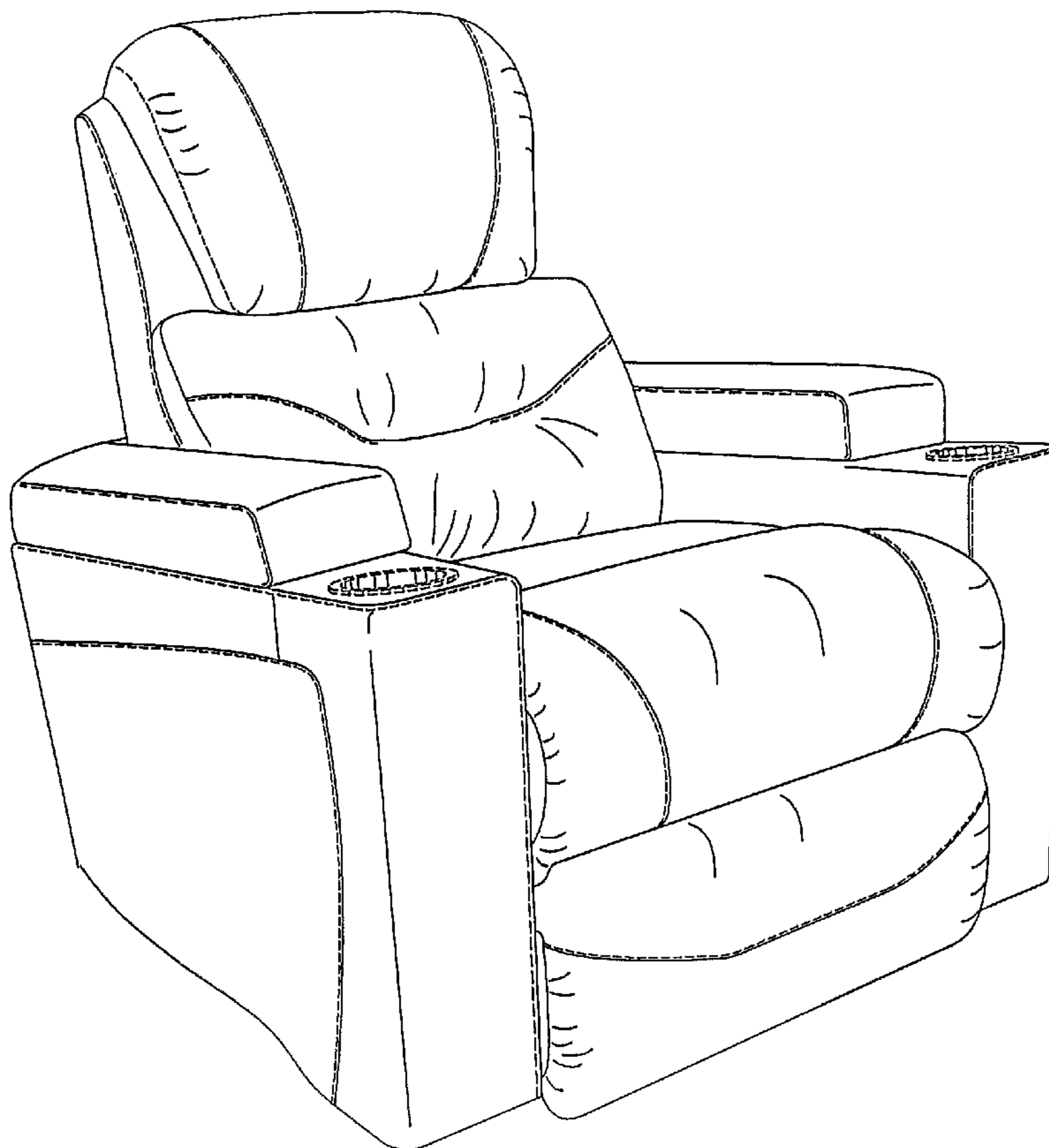
FIG. 2 shows a front view of the embodiment of FIG. 1.

FIG. 3 shows a top view of the embodiment of FIG. 1.

FIG. 4 shows a rear view of the embodiment of FIG. 1; and, FIG. 5 shows a side view of the embodiment of FIG. 1.

The dashed lines shown in the drawings illustrate environmental structure and form no part of the claimed design.

**1 Claim, 5 Drawing Sheets**



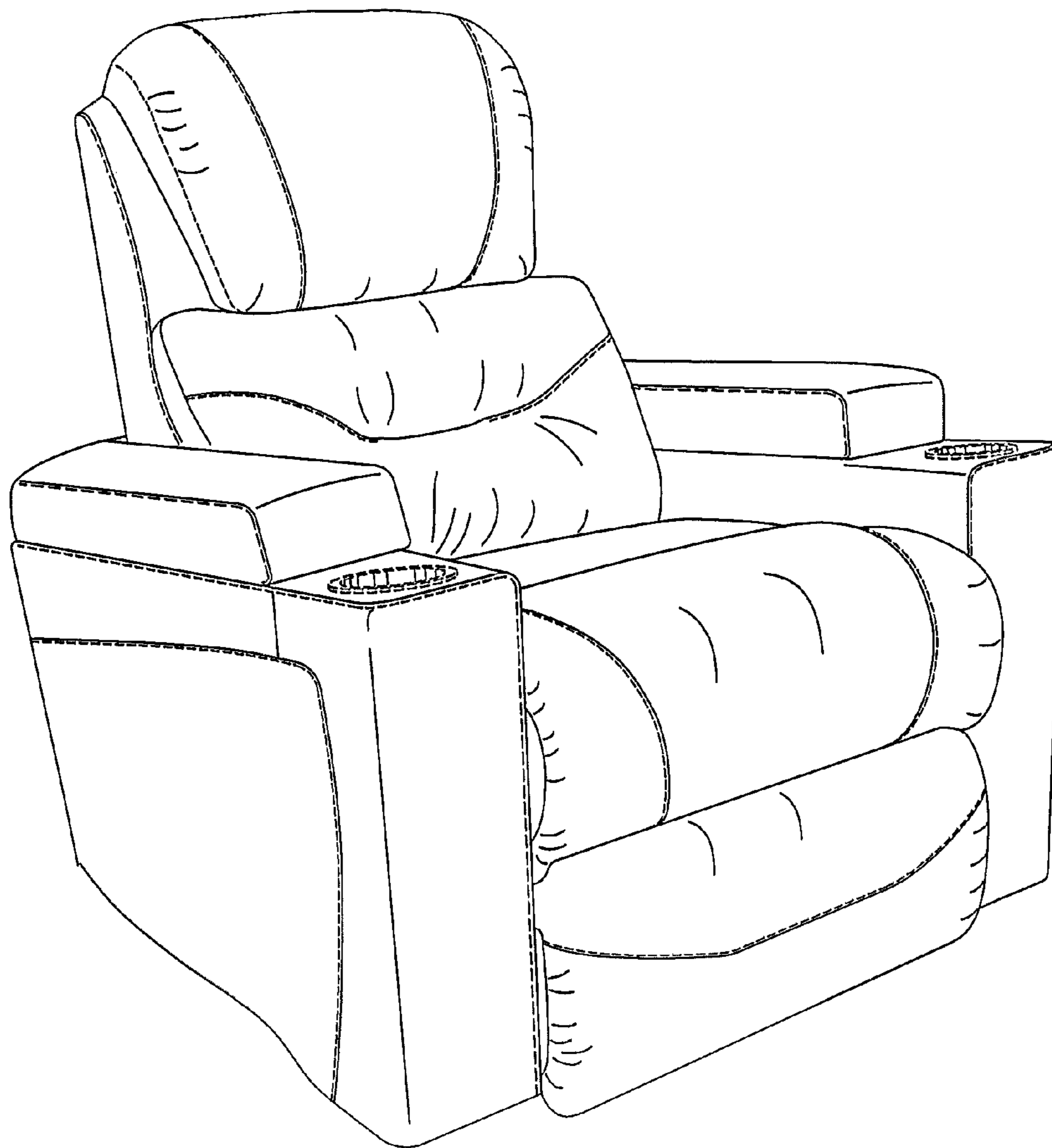


FIG. 1

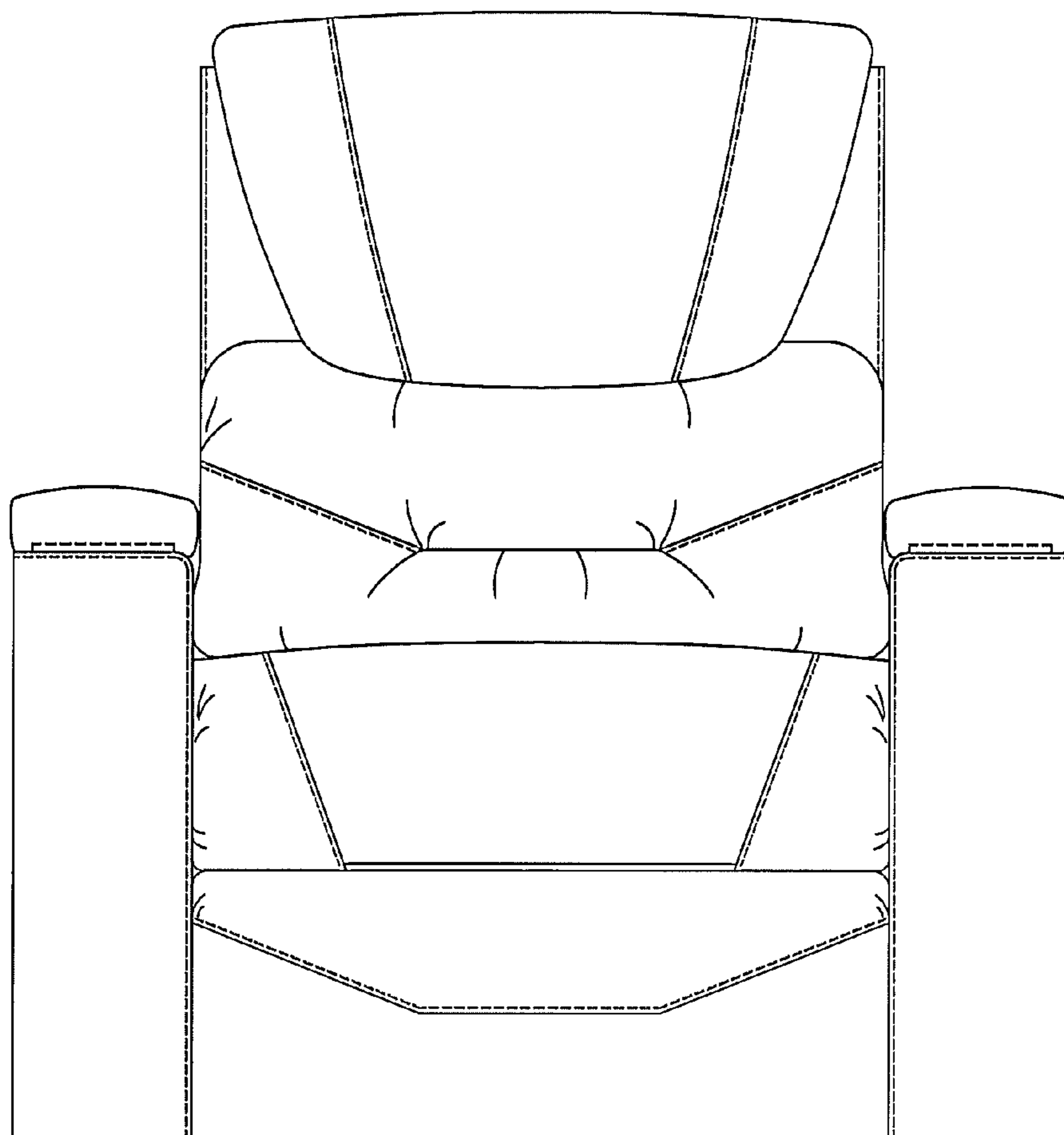


FIG. 2

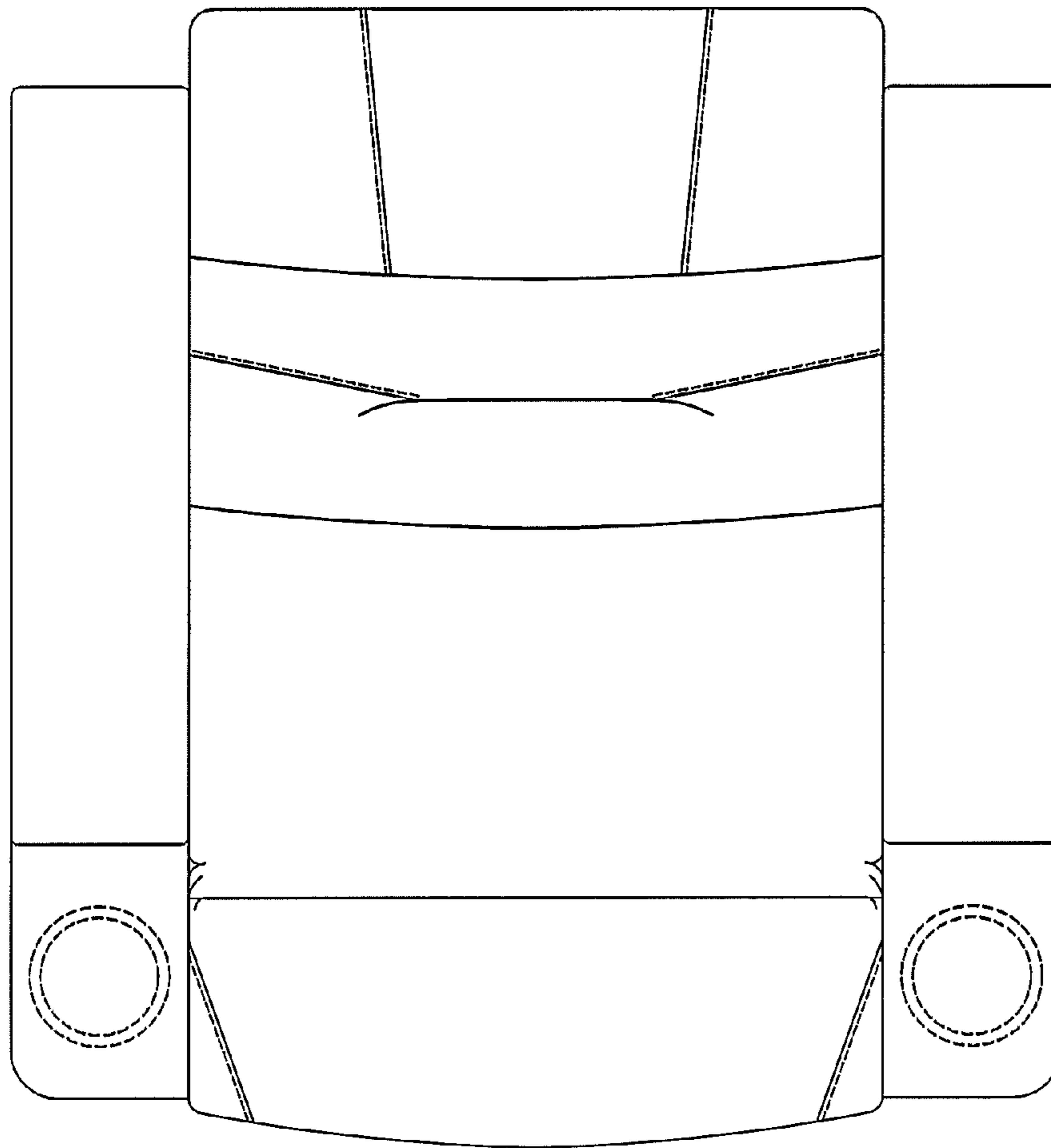


FIG. 3

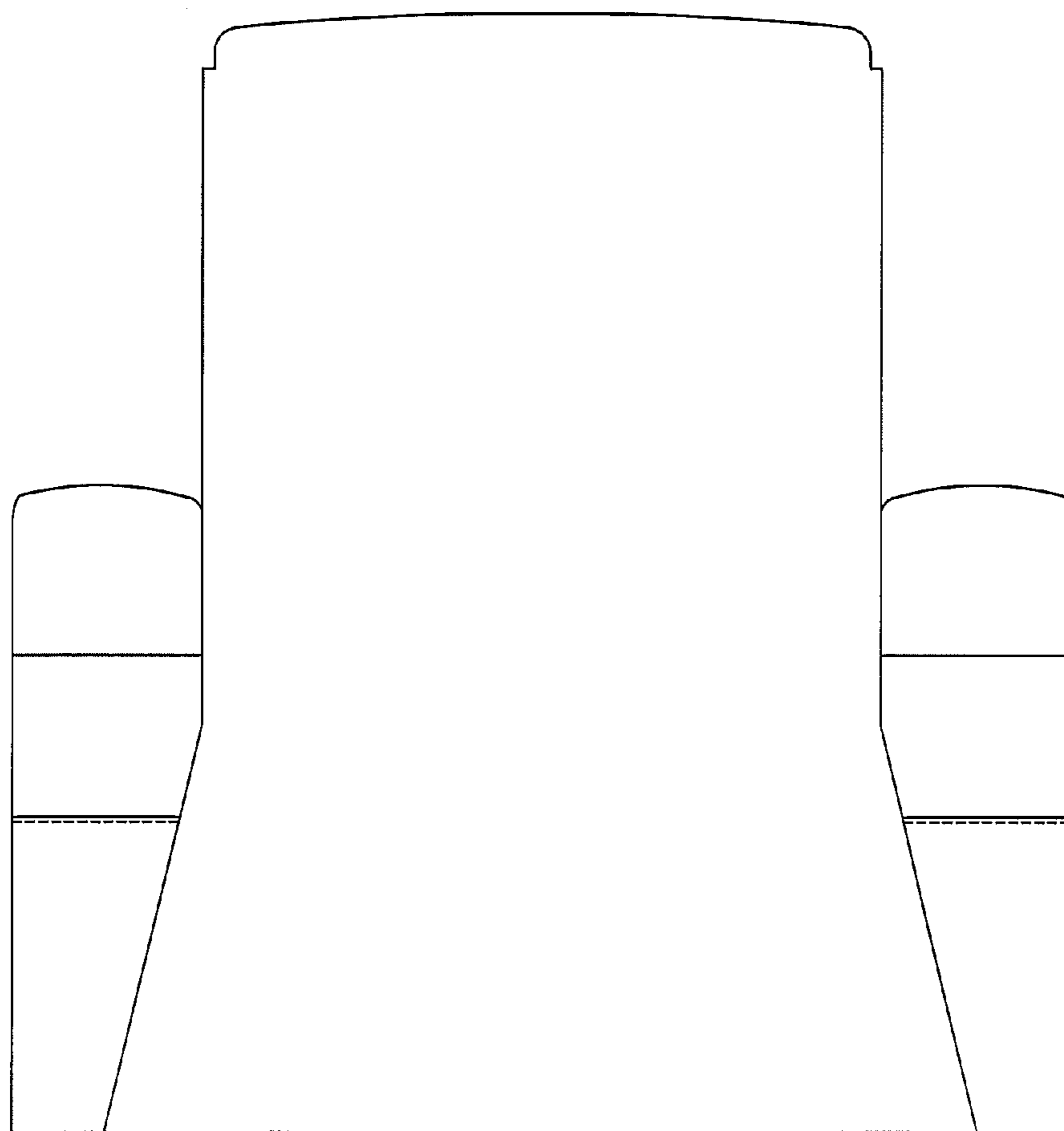


FIG. 4

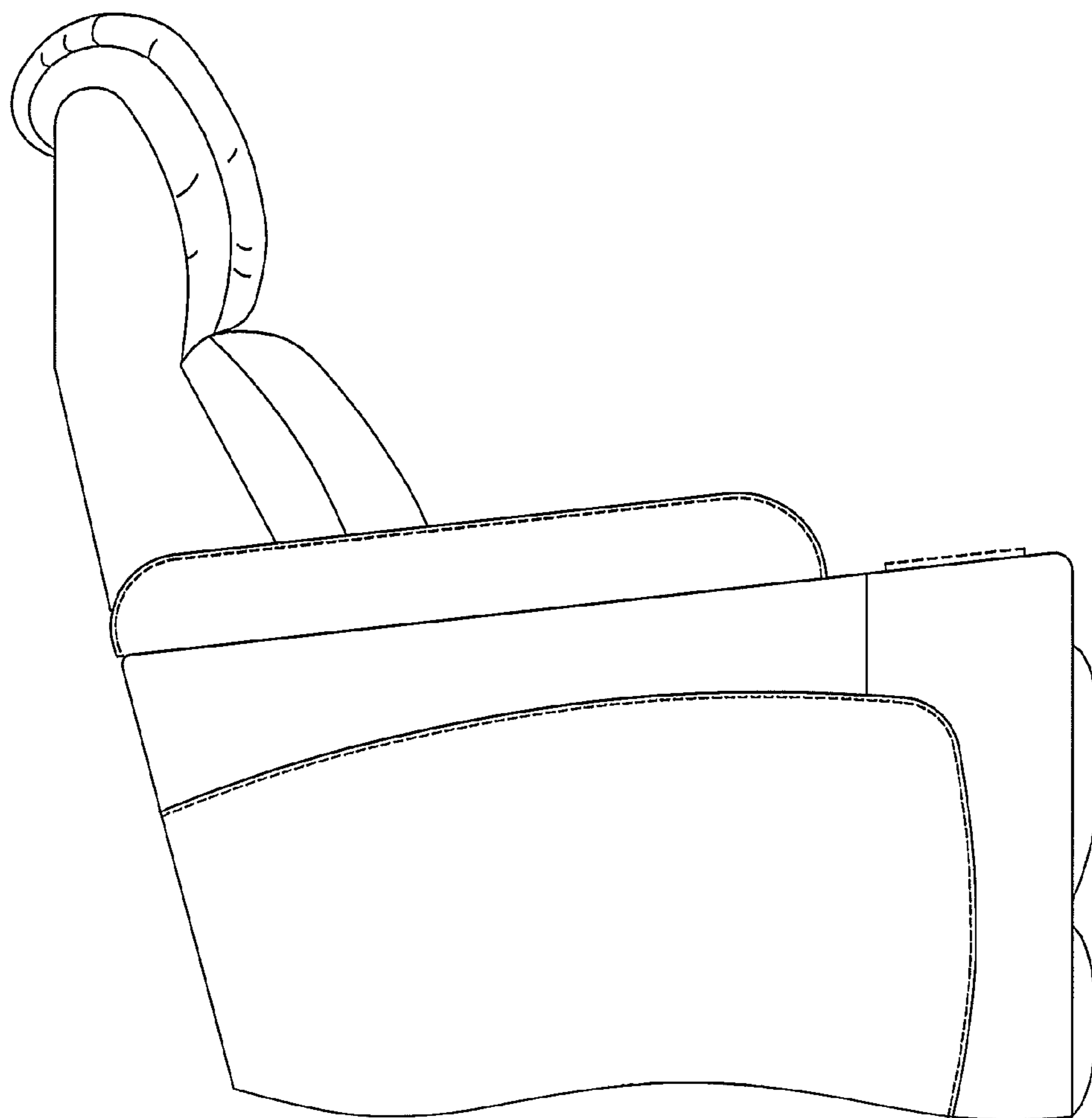


FIG. 5