



US00D723828S

(12) **United States Design Patent**
Rose

(10) **Patent No.:** **US D723,828 S**
(45) **Date of Patent:** **** Mar. 10, 2015**

(54) **SEATING BENCH**
(71) Applicant: **Frank Carrabba**, Kinnelon, NJ (US)
(72) Inventor: **James Rose**, Ridgewood, NJ (US)
(73) Assignee: **Barrier Aung, Inc.**, Ridgewood, NJ (US)
(**) Term: **14 Years**
(21) Appl. No.: **29/500,390**
(22) Filed: **Aug. 25, 2014**
(51) **LOC (10) Cl.** **06-01**
(52) **U.S. Cl.**
USPC **D6/381**
(58) **Field of Classification Search**
CPC A47C 17/00; A47C 17/02; A47C 17/12;
A47C 17/18; A47C 7/021; A47C 31/00;
A47C 3/16
USPC D6/334, 335, 336, 379, 381, 369, 349;
297/94, 118, 232, 445.1, 448.1, DIG. 7
See application file for complete search history.

D365,455 S * 12/1995 Tolar D6/381
D384,512 S * 10/1997 Skalka D6/370
D408,645 S * 4/1999 Smith D6/377
D457,742 S * 5/2002 Arnold D6/370
D470,669 S * 2/2003 Stewart D6/370
D473,063 S * 4/2003 Pappas D6/381
D483,960 S * 12/2003 Chipman D6/370
D525,041 S * 7/2006 Gehry D6/373
D563,112 S * 3/2008 Swanson D6/381
D569,640 S * 5/2008 Robson D6/370
D578,318 S * 10/2008 Laflamme D6/381
D578,791 S * 10/2008 Shilling et al. D6/381
D610,825 S * 3/2010 Arbel D6/375
D649,799 S * 12/2011 Lievore et al. D6/373
D699,963 S * 2/2014 Hidalgo D6/381

* cited by examiner

Primary Examiner — Sandra Snapp
(74) *Attorney, Agent, or Firm* — Klauber & Jackson LLC

(57) **CLAIM**
I claim the ornamental design for a seating bench, as shown and described.

DESCRIPTION

FIG. 1 is a perspective view of a seating bench showing my new design;
FIG. 2 is a front elevational view thereof;
FIG. 3 is a rear elevational view thereof;
FIG. 4 is a left side elevational view thereof;
FIG. 5 is a right side elevational view thereof;
FIG. 6 is a top plan view thereof; and,
FIG. 7 is a bottom plan view thereof.

1 Claim, 4 Drawing Sheets

(56) **References Cited**
U.S. PATENT DOCUMENTS
D209,821 S * 1/1968 Melchior D6/371
D262,677 S * 1/1982 Rowland D6/373
D263,525 S * 3/1982 Colby D6/369
D279,338 S * 6/1985 Offredi D6/376
D295,238 S * 4/1988 Gammelgaard D6/373
D360,538 S * 7/1995 Skalka D6/370
D361,901 S * 9/1995 Szekely D6/370

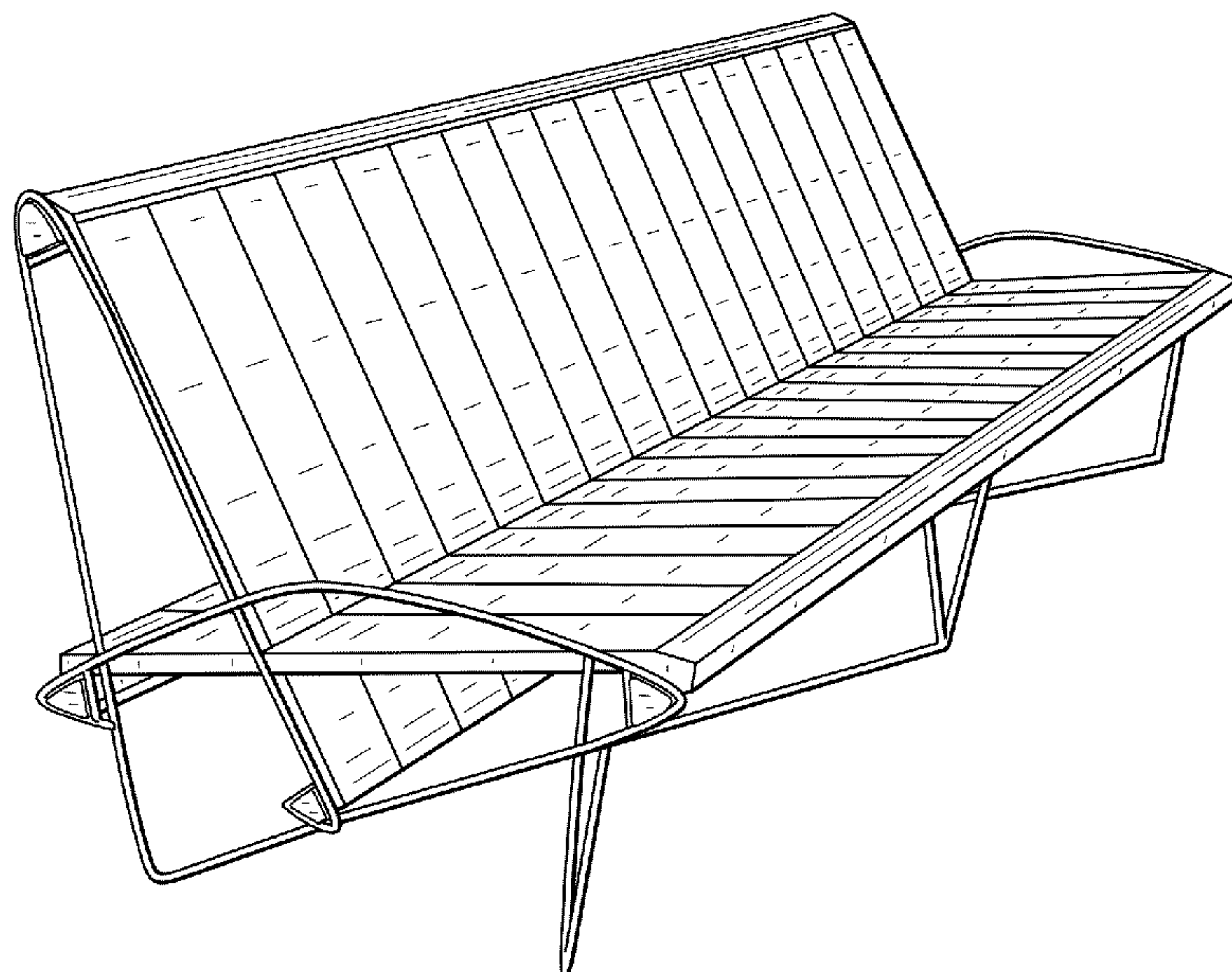


FIG. 1

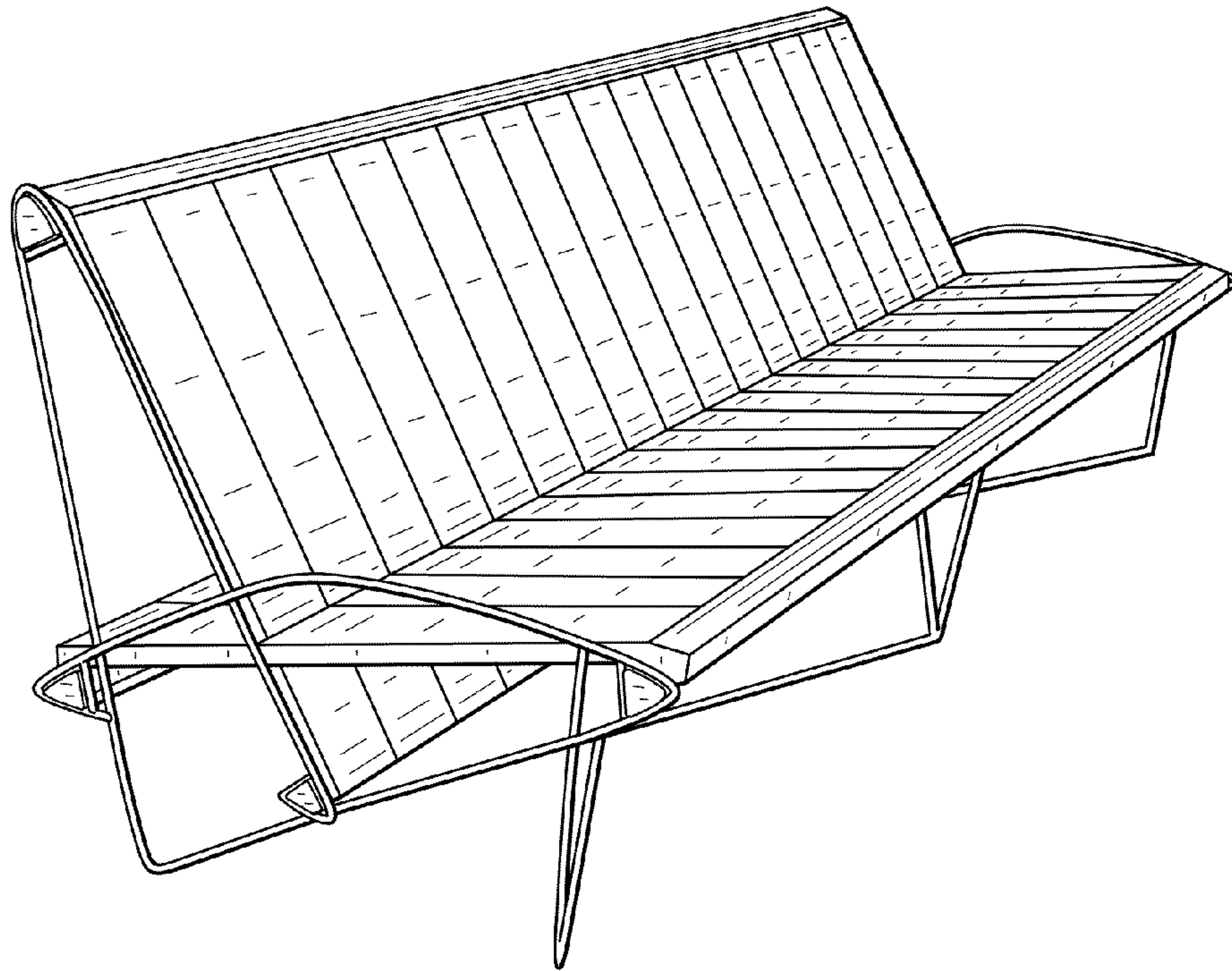


FIG. 2

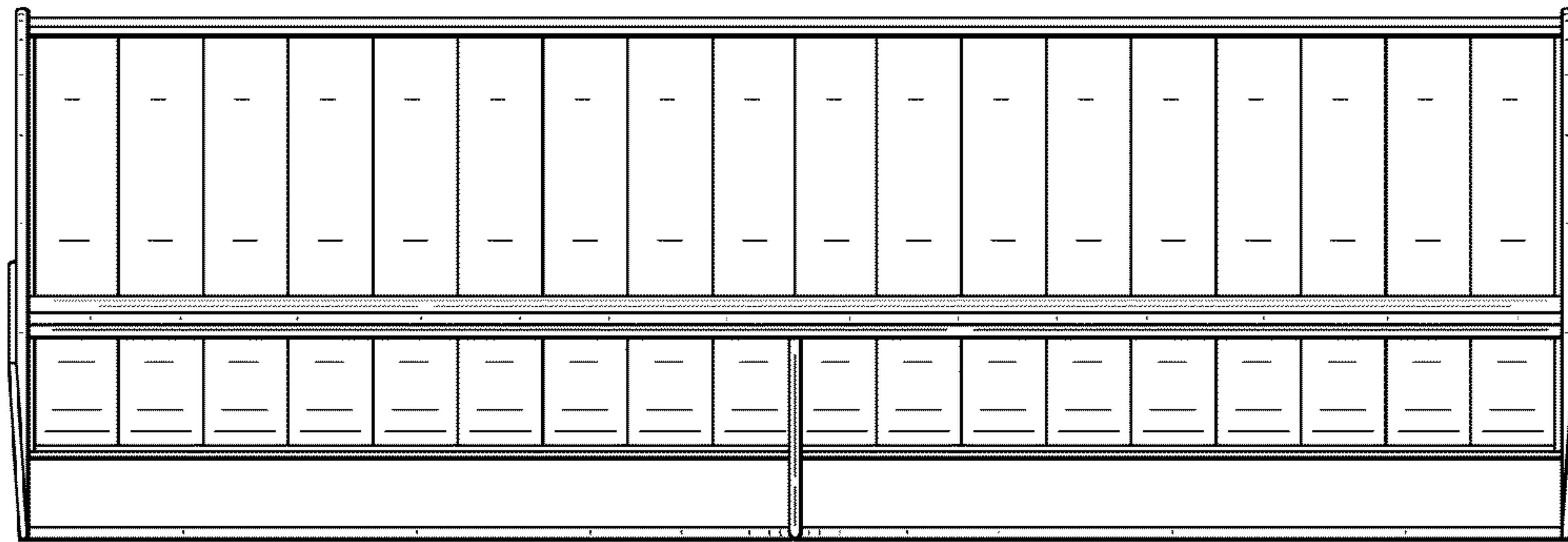


FIG. 3

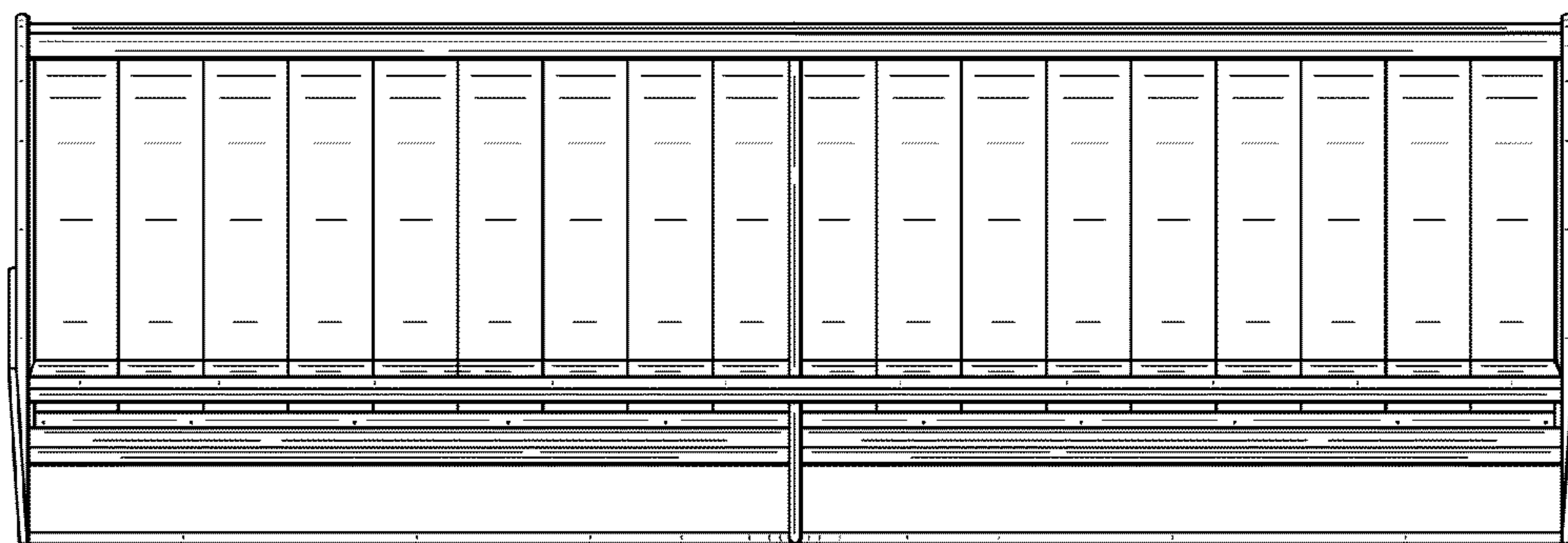


FIG. 4

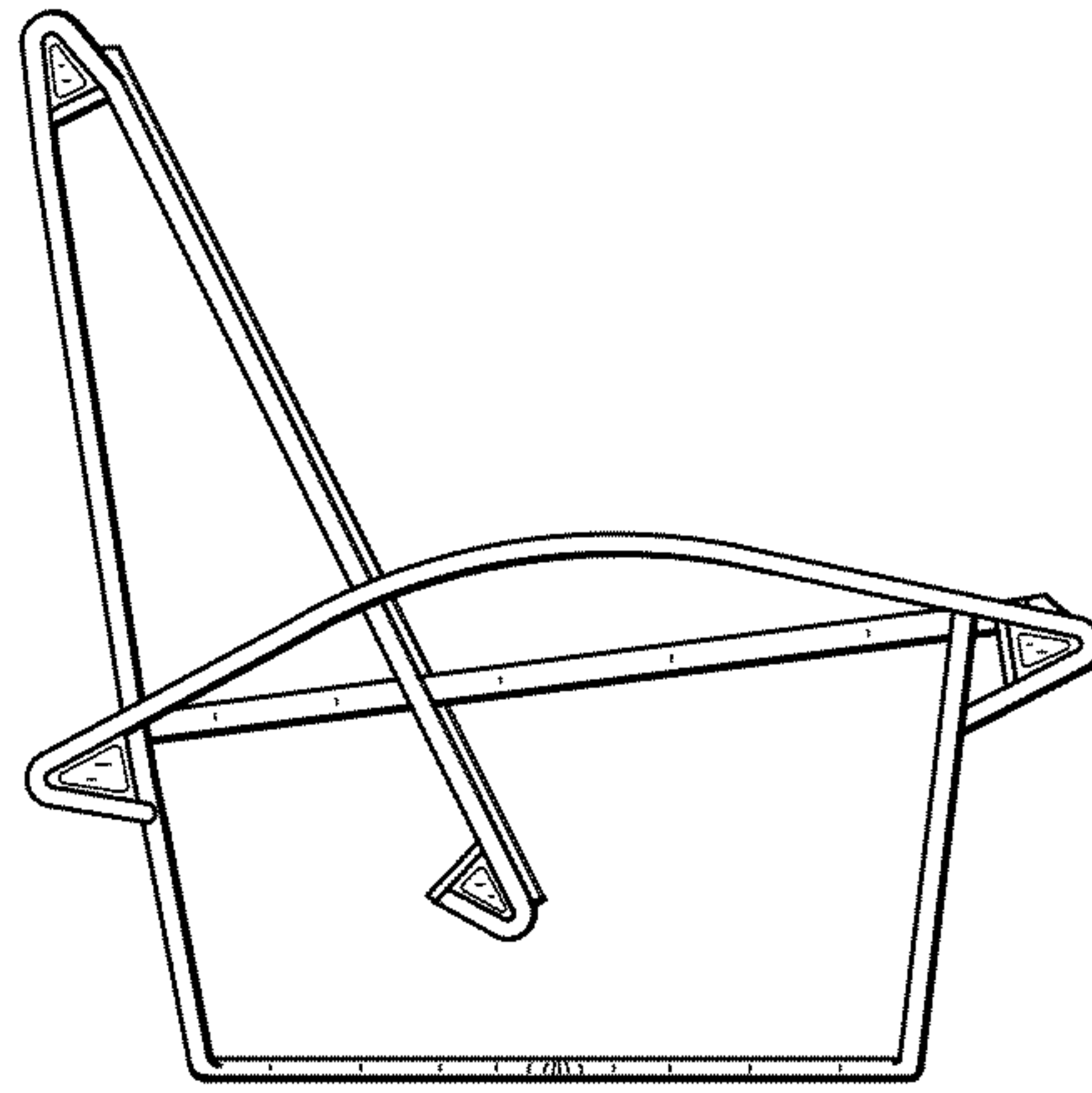


FIG. 5

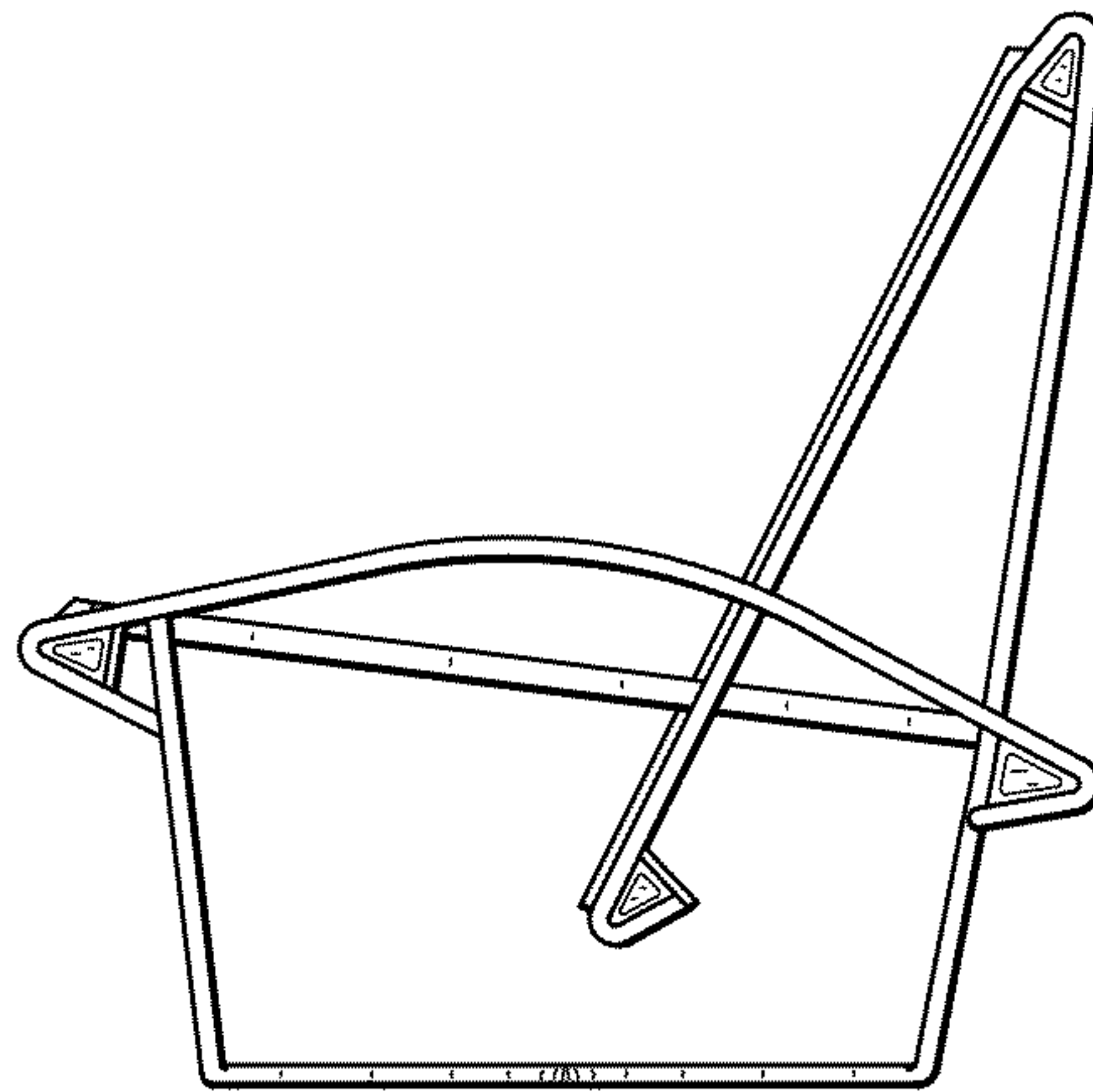


FIG. 6



FIG. 7

