



US00D723826S

(12) **United States Design Patent**  
**Kaloustian et al.**

(10) **Patent No.:** **US D723,826 S**  
(45) **Date of Patent:** **\*\* Mar. 10, 2015**

(54) **CHAIR**

(71) Applicant: **Grand Rapids Chair Company**, Grand Rapids, MI (US)

(72) Inventors: **John M. Kaloustian**, Northville, MI (US); **Ryan E. Haase**, Grand Rapids, MI (US)

(73) Assignee: **Grand Rapids Chair Company**, Grand Rapids, MI (US)

(\*\*) Term: **14 Years**

(21) Appl. No.: **29/457,431**

(22) Filed: **Jun. 10, 2013**

(51) **LOC (10) Cl.** ..... **06-01**

(52) **U.S. Cl.**  
USPC ..... **D6/375**

(58) **Field of Classification Search**  
USPC ..... D6/334-336, 371-373, 374, 375, 376, D6/379, 380, 716, 716.1, 716.2, 716.3, D6/716.4; 297/239, 445.1, 446.1, 452.2, 297/452.12, 452.19, 452.21, 452.29  
See application file for complete search history.

(56) **References Cited**

**U.S. PATENT DOCUMENTS**

D193,657 S 9/1962 Van Buren  
D202,550 S 10/1965 Kramer  
D223,244 S 4/1972 Prashker  
D239,988 S 5/1976 Dittert

D240,780 S 8/1976 Dittert  
4,032,190 A 6/1977 Muller-Deisig et al.  
D268,799 S 5/1983 Feldberg

(Continued)

**OTHER PUBLICATIONS**

Commonly assigned U.S. Appl. No. 29/454,332, filed May 9, 2013, entitled Chair and Ottoman.

(Continued)

*Primary Examiner* — Mimosa De

(74) *Attorney, Agent, or Firm* — Gardner, Linn, Burkhardt & Flory, LLP

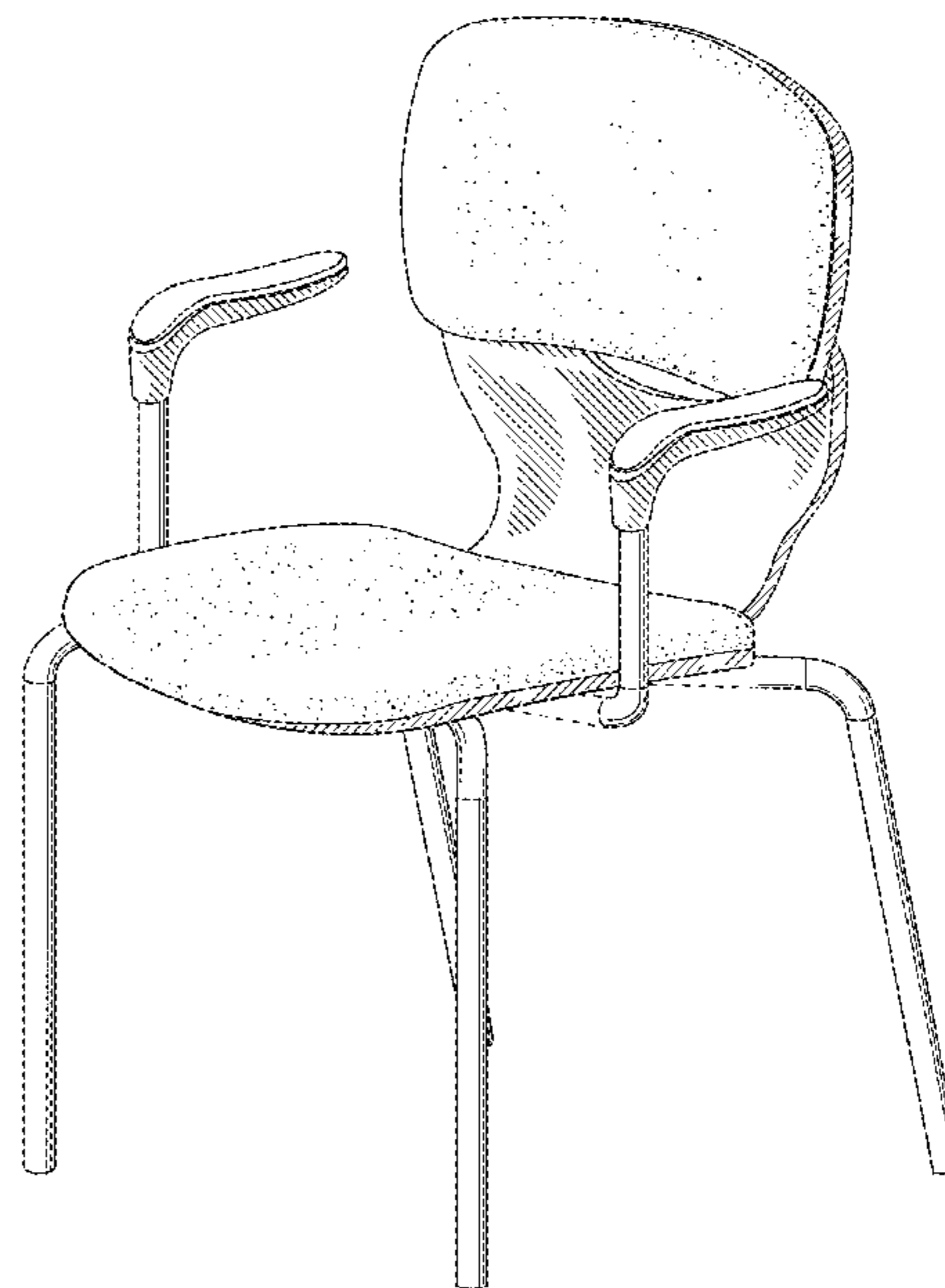
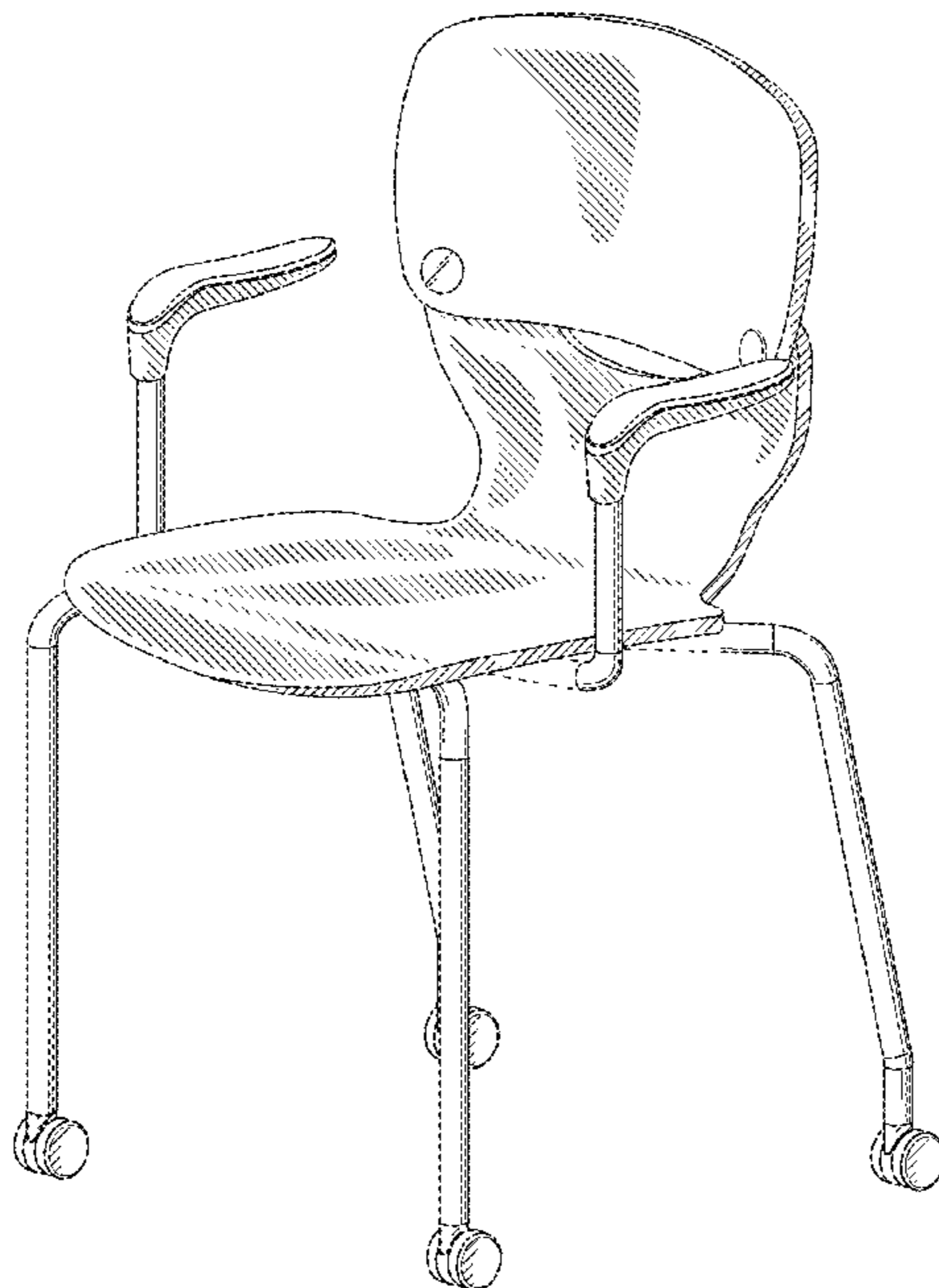
(57) **CLAIM**

The ornamental design for the chair, substantially as shown and described.

**DESCRIPTION**

FIG. 1 is a perspective view of a chair, according to a first embodiment of the present invention;  
FIG. 2 is a front elevation view of the chair of FIG. 1;  
FIG. 3 is a left-side elevation view of the chair of FIG. 1;  
FIG. 4 is a rear elevation view of the chair of FIG. 1;  
FIG. 5 is a right-side elevation view of the chair of FIG. 1;  
FIG. 6 is a top plan view of the chair of FIG. 1;  
FIG. 7 is a bottom plan view of the chair of FIG. 1;  
FIG. 8 is a perspective view of the chair, according to a second embodiment of the present invention;  
FIG. 9 is a front elevation view of the chair of FIG. 8;  
FIG. 10 is a left-side elevation view of the chair of FIG. 8;  
FIG. 11 is a rear elevation view of the chair of FIG. 8;  
FIG. 12 is a right-side elevation view of the chair of FIG. 8;  
FIG. 13 is a top plan view of the chair of FIG. 8; and,  
FIG. 14 is a bottom plan view of the chair of FIG. 8.  
The broken lines shown are included for the purpose of illustrating environment of the design and form no part of the claimed design.

**1 Claim, 12 Drawing Sheets**



(56)

**References Cited**

U.S. PATENT DOCUMENTS

D272,393 S 1/1984 Klier  
 D279,155 S 6/1985 Aronowitz et al.  
 D339,940 S 10/1993 Balderi et al.  
 D346,911 S 5/1994 Lucci et al.  
 D372,132 S 7/1996 Infanti  
 D375,848 S 11/1996 Grosfillex  
 D381,828 S 8/1997 Kemnitzer  
 D422,806 S 4/2000 Neil  
 D524,071 S 7/2006 Brooks  
 D531,420 S 11/2006 Kita  
 D559,570 S 1/2008 Higgs et al.  
 D566,979 S \* 4/2008 Cox et al. .... D6/375  
 D572,928 S \* 7/2008 Rittfeldt et al. .... D6/375  
 D582,692 S \* 12/2008 Kerr ..... D6/375  
 D597,757 S 8/2009 Barbieri  
 D597,758 S \* 8/2009 Barrett et al. .... D6/375

D609,036 S \* 2/2010 Miller et al. .... D6/716  
 D643,652 S 8/2011 Piretti  
 D644,849 S 9/2011 Sienkowski et al.  
 D646,087 S 10/2011 Miller et al.  
 D648,566 S 11/2011 Sienkowski et al.  
 8,112,868 B2 2/2012 Miller  
 D659,424 S 5/2012 Gramza et al.  
 D663,131 S 7/2012 Barefoot et al.  
 D672,975 S 12/2012 Rashid  
 D686,836 S \* 7/2013 Mascetti et al. .... D6/376  
 D707,461 S \* 6/2014 Rada et al. .... D6/375  
 2009/0212607 A1 8/2009 Kaloustian et al.  
 2011/0278889 A1 11/2011 Sienkowski et al.

OTHER PUBLICATIONS

Commonly assigned U.S. Appl. No. 13/966,374, filed Aug. 14, 2013, entitled Chair With a Swivel Back Support.

\* cited by examiner

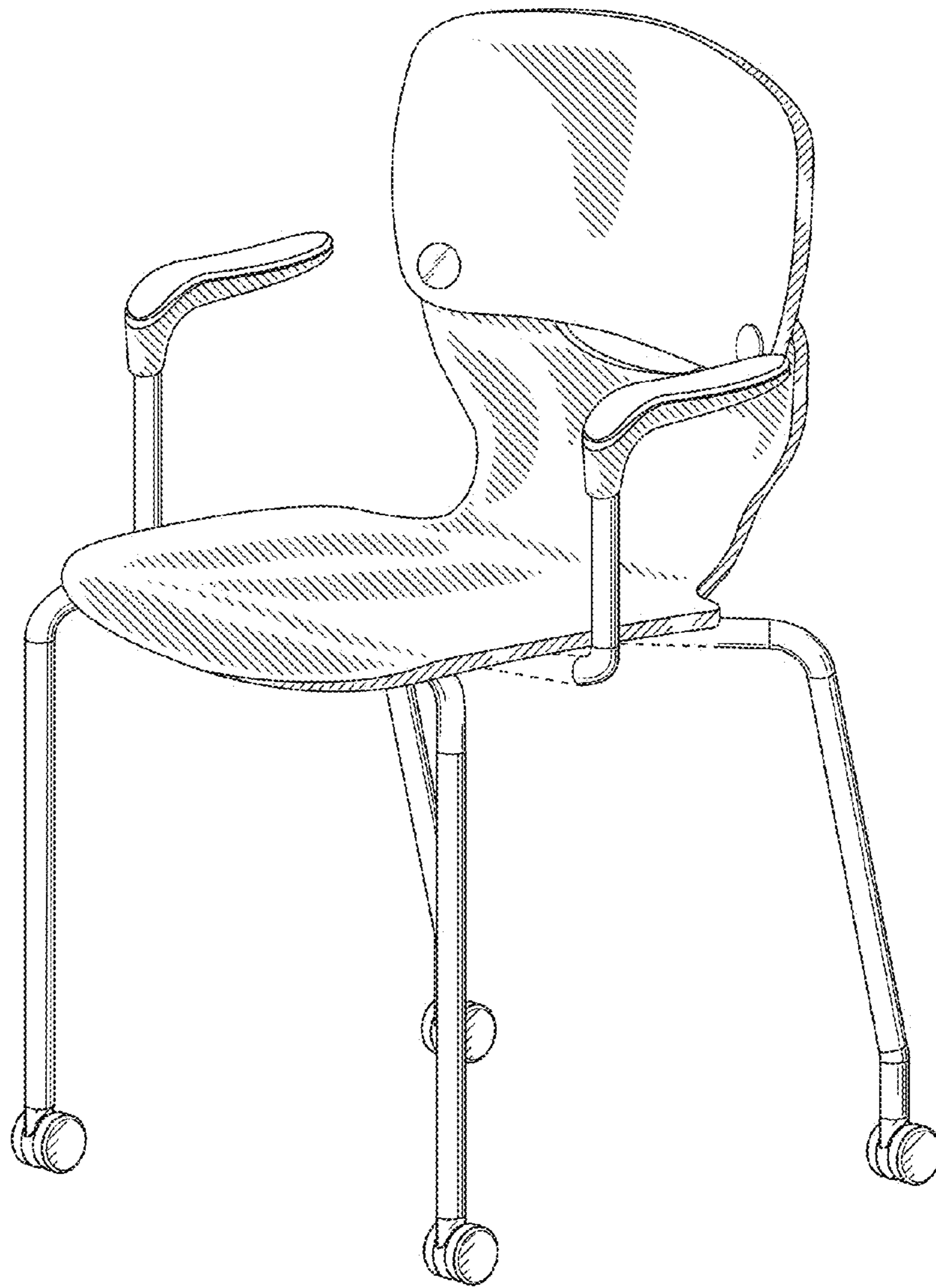


FIG. 1

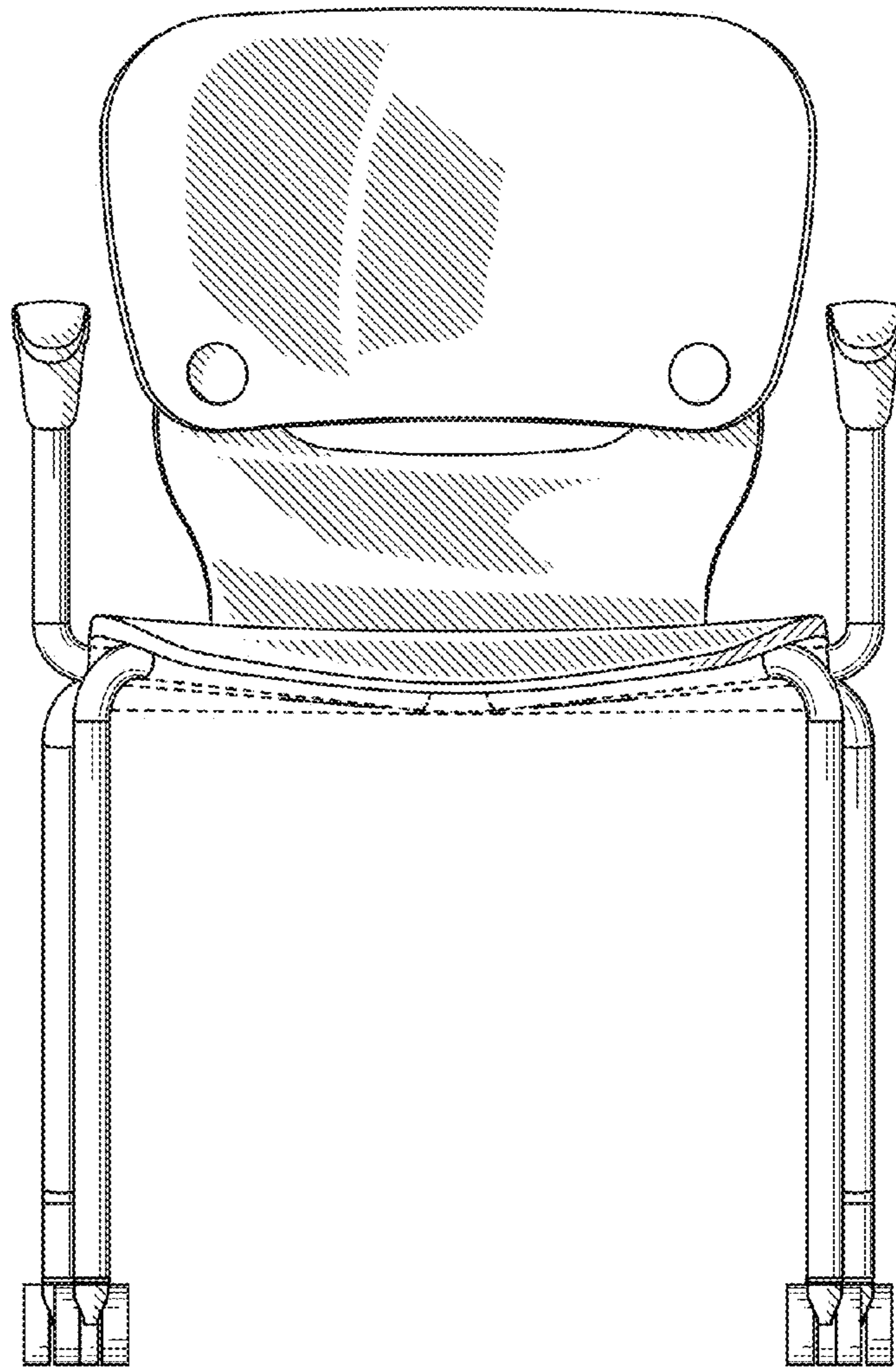


FIG. 2

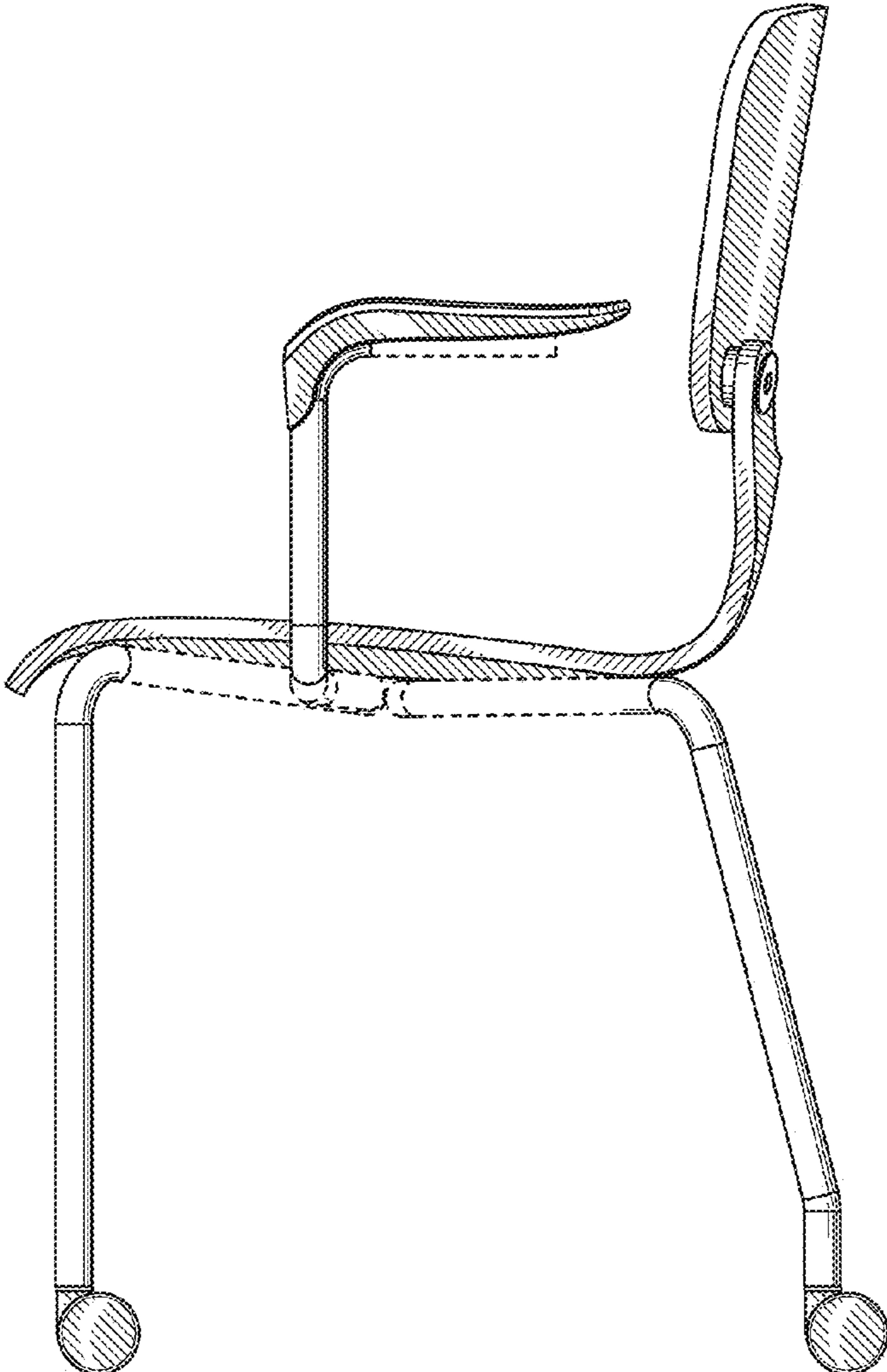


FIG. 3

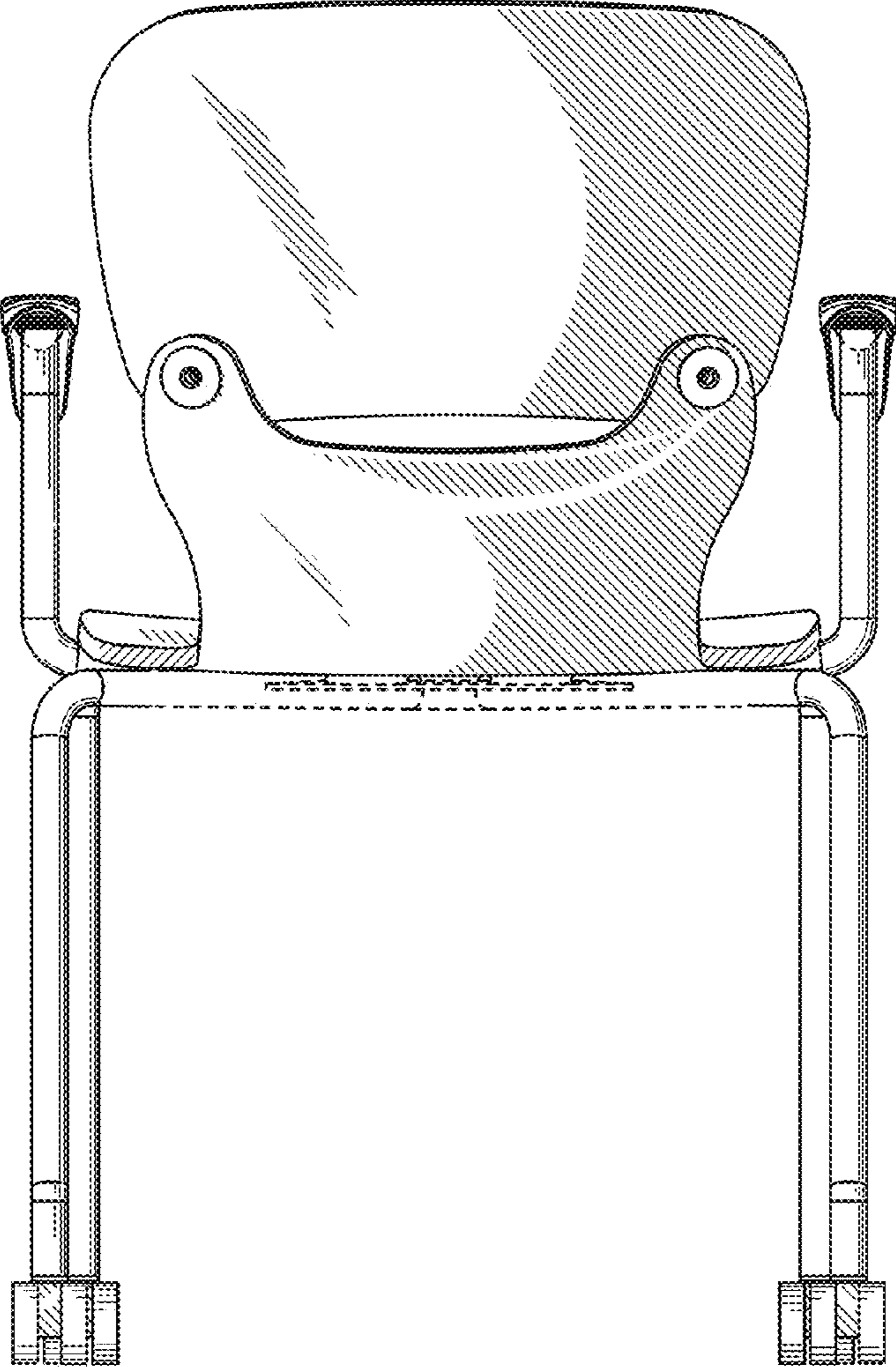


FIG. 4

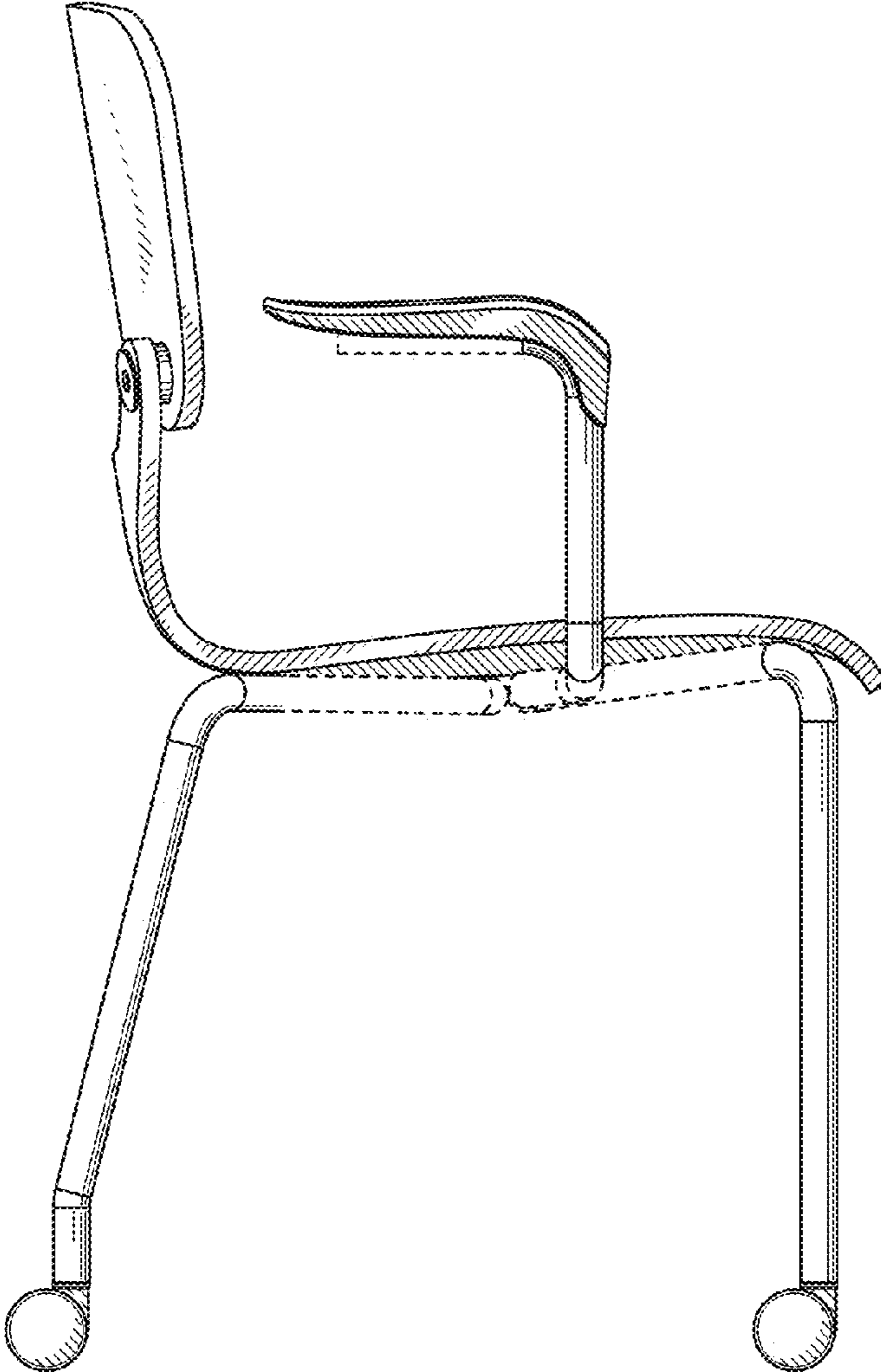


FIG. 5

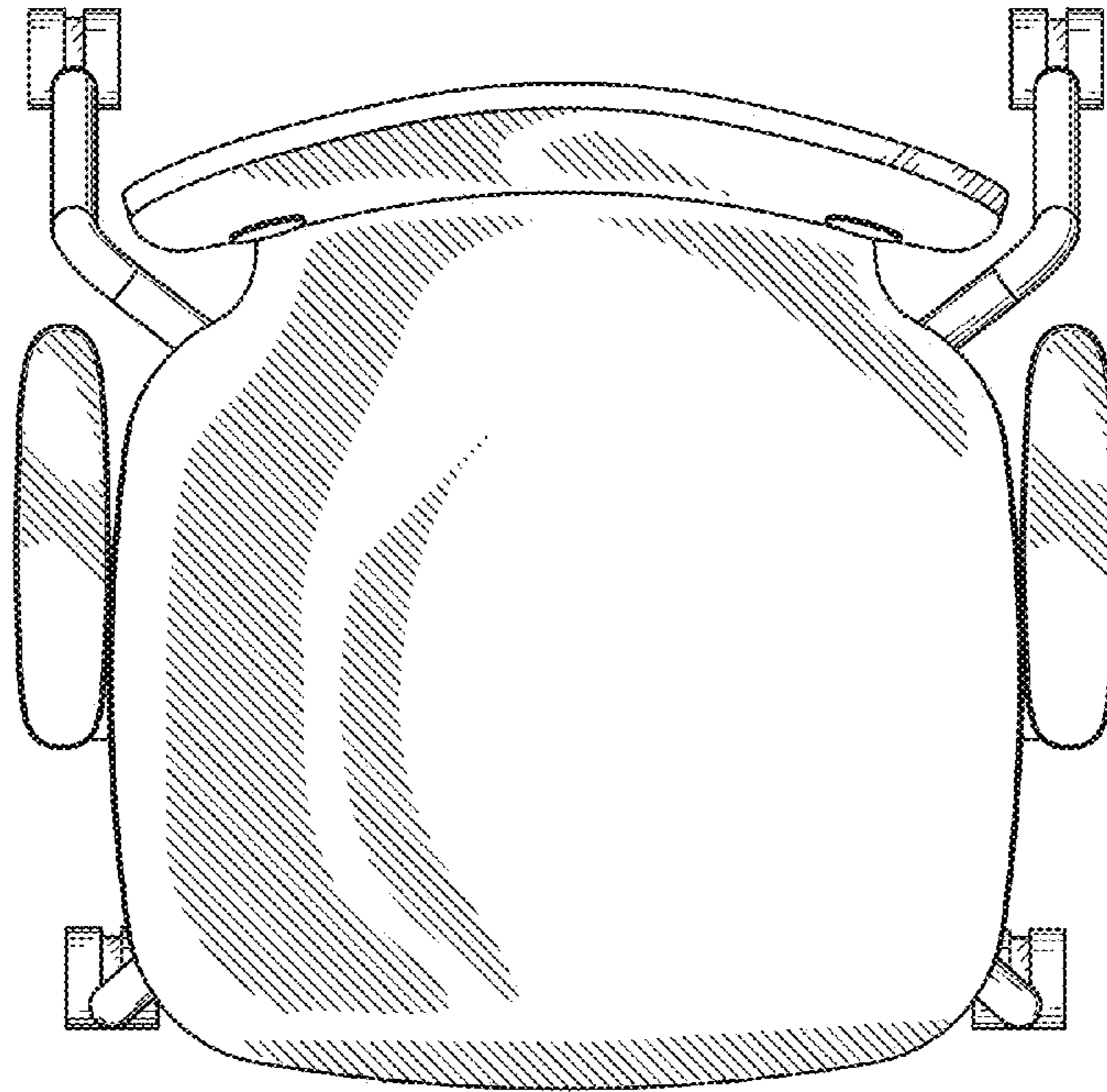


FIG. 6

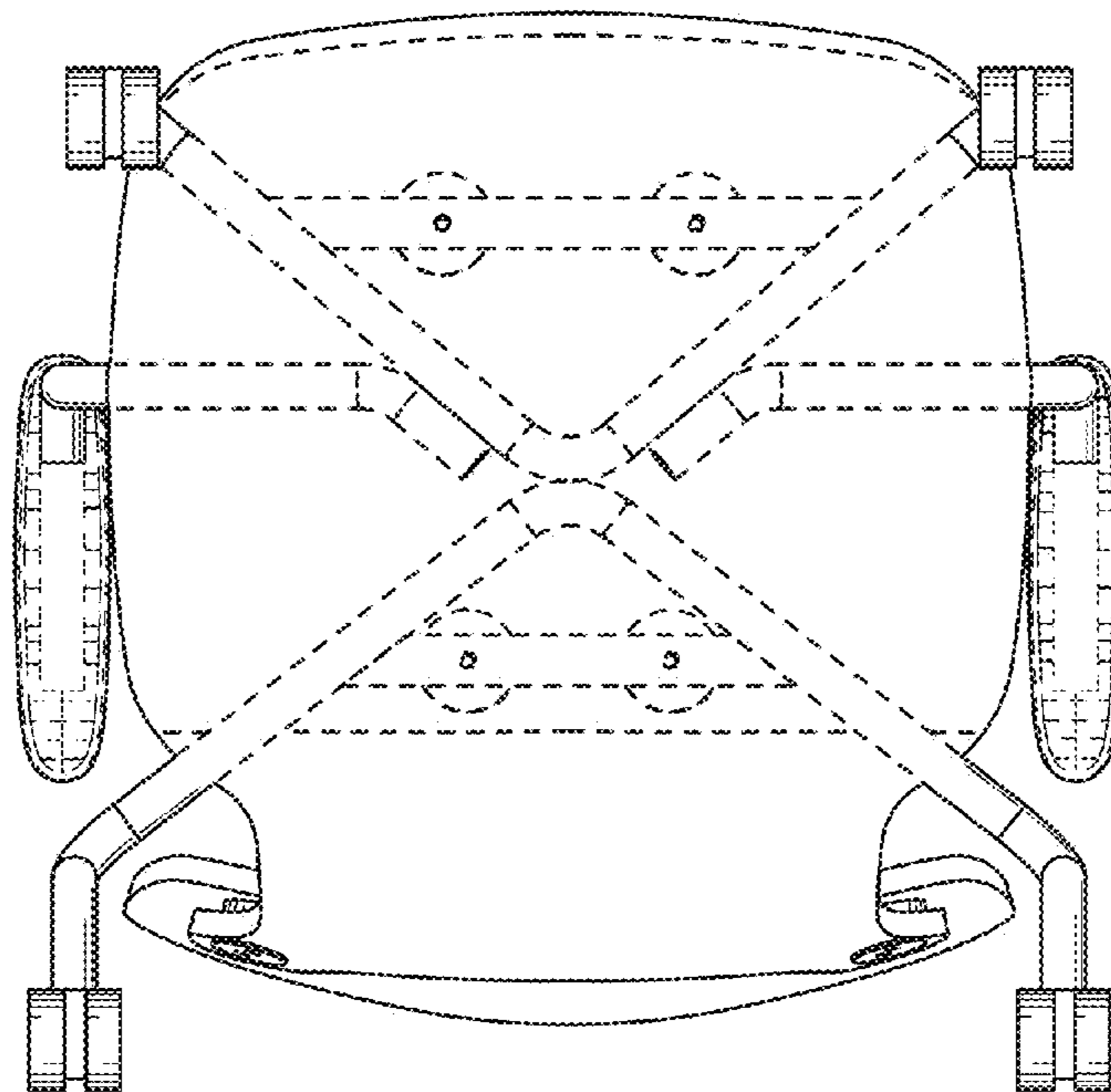


FIG. 7



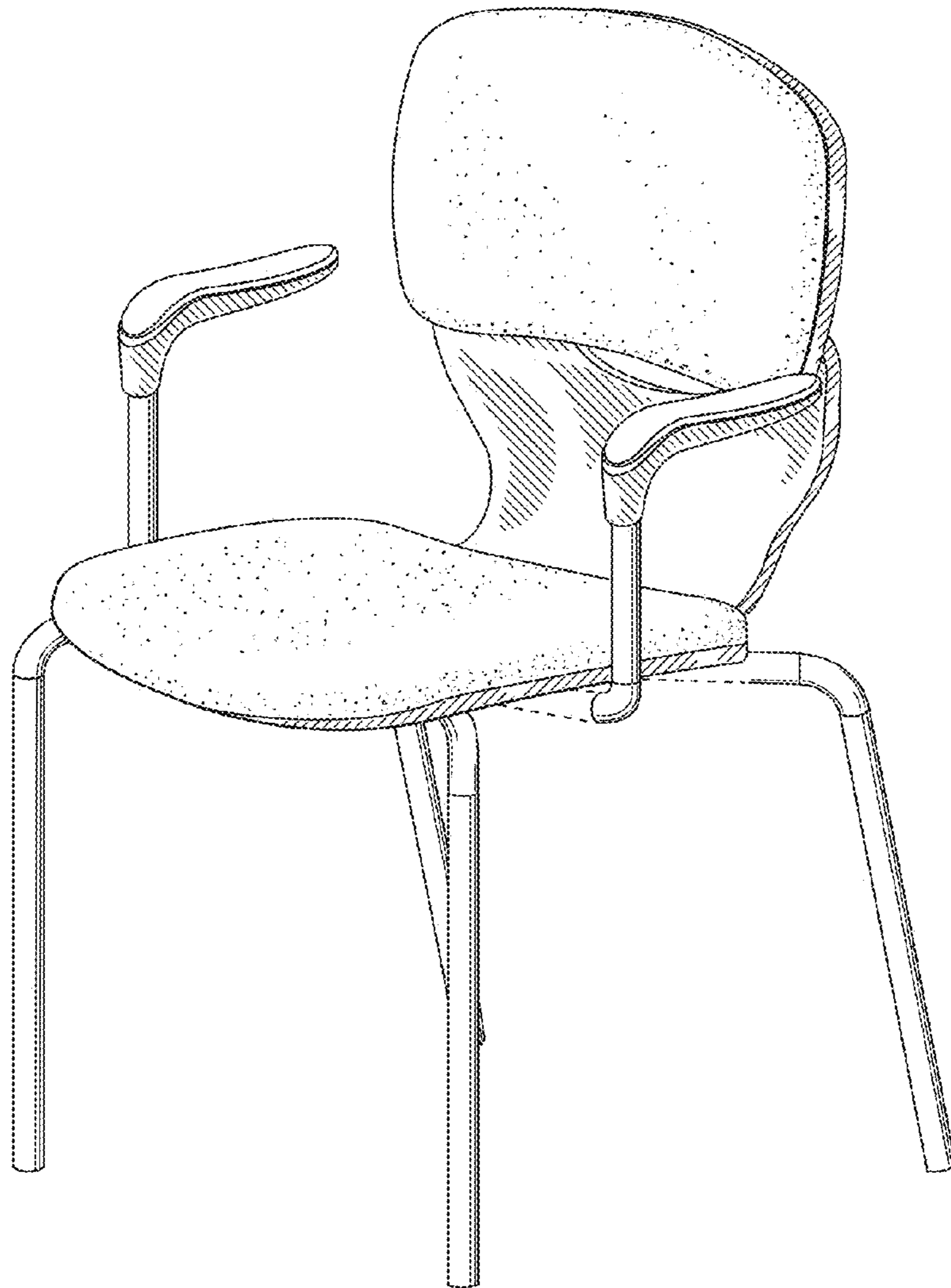


FIG. 8

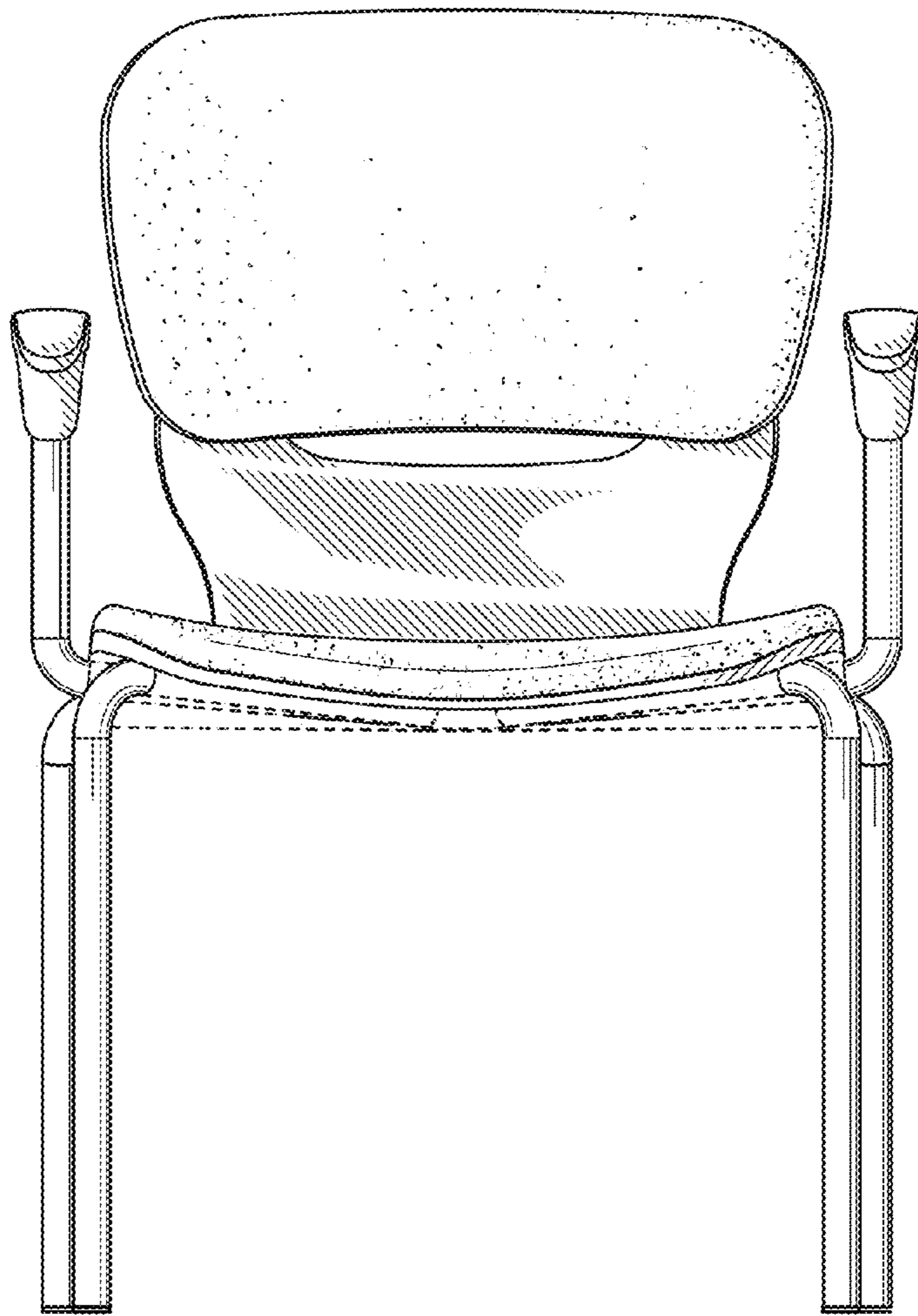


FIG. 9

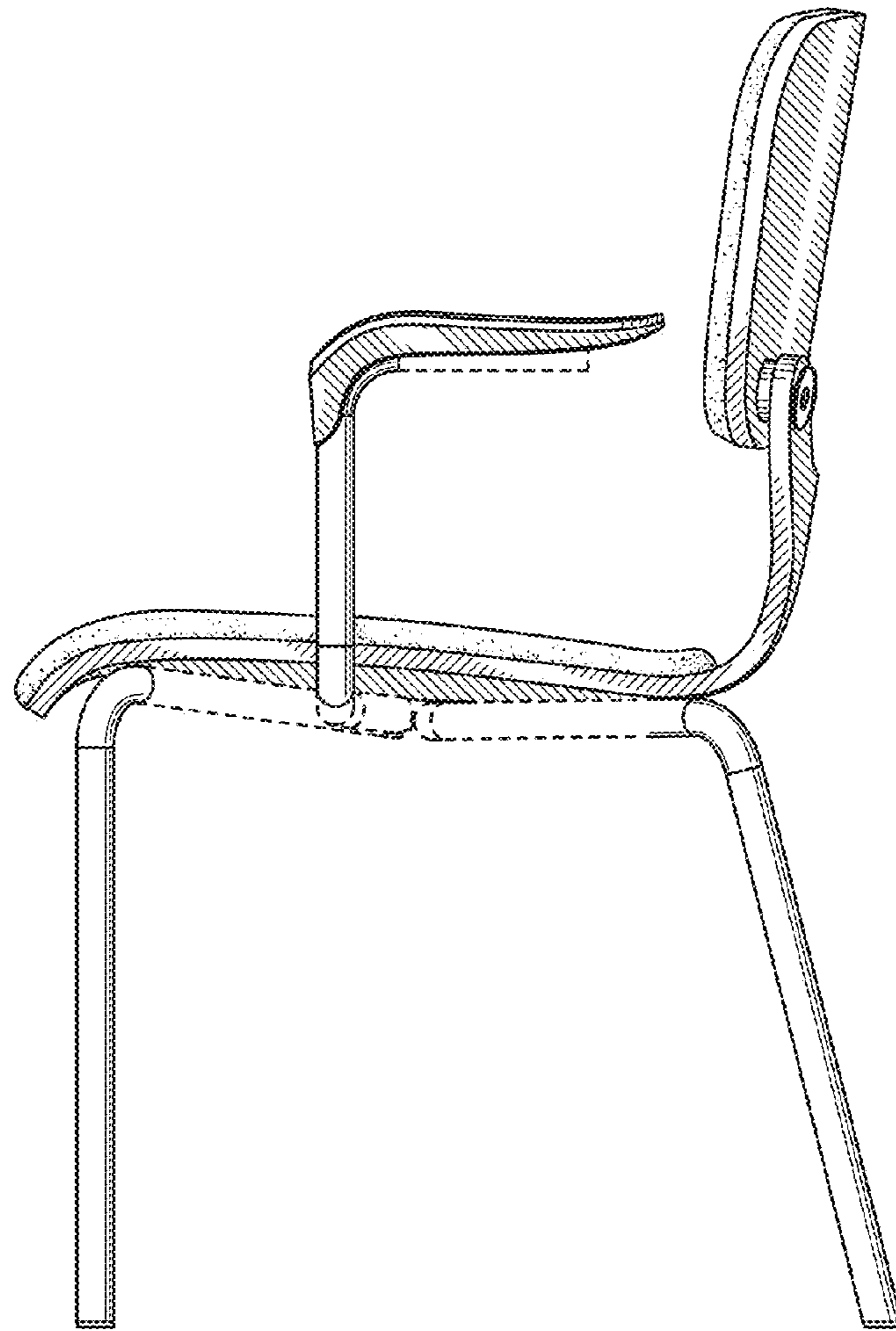


FIG. 10

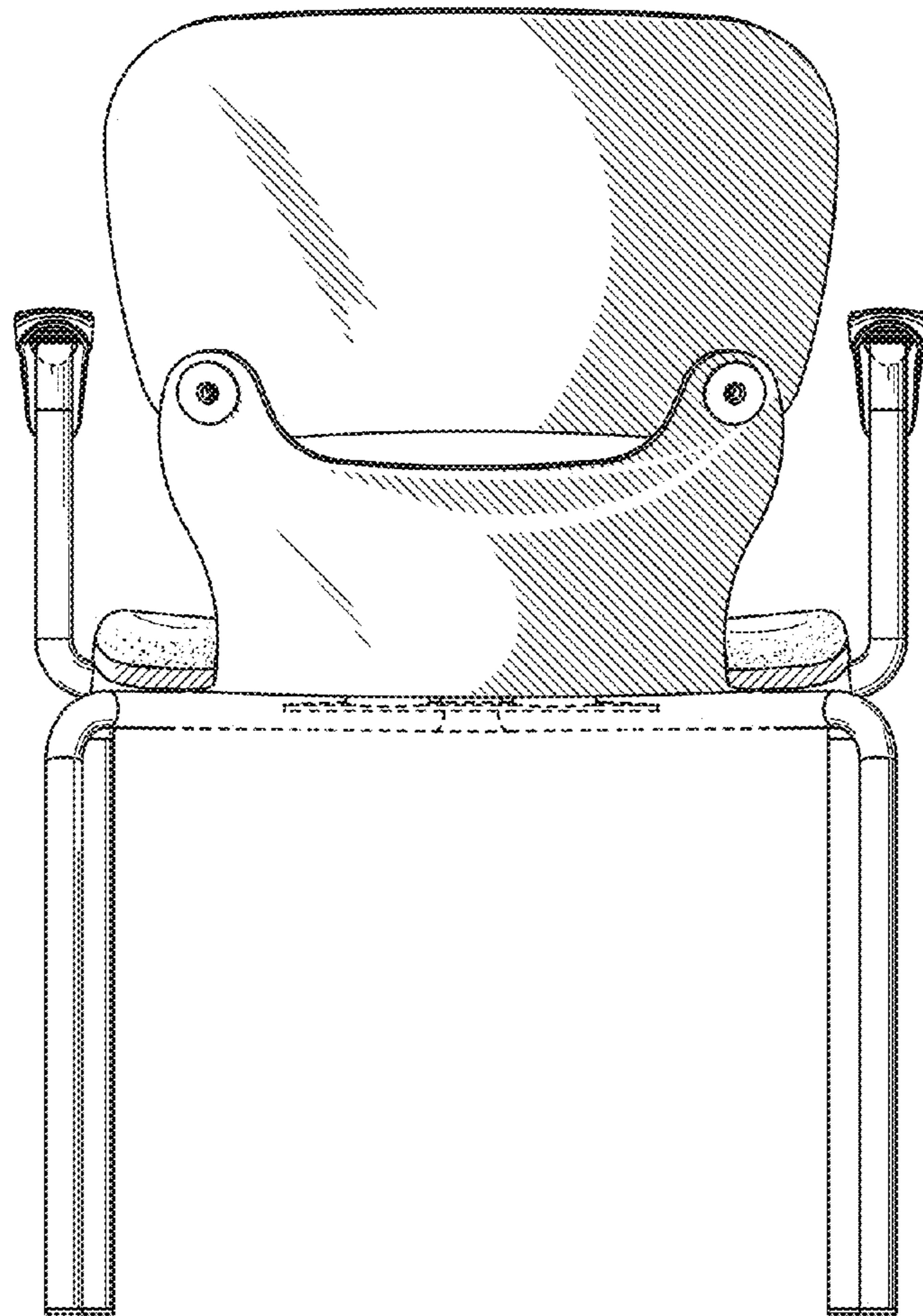


FIG. 11

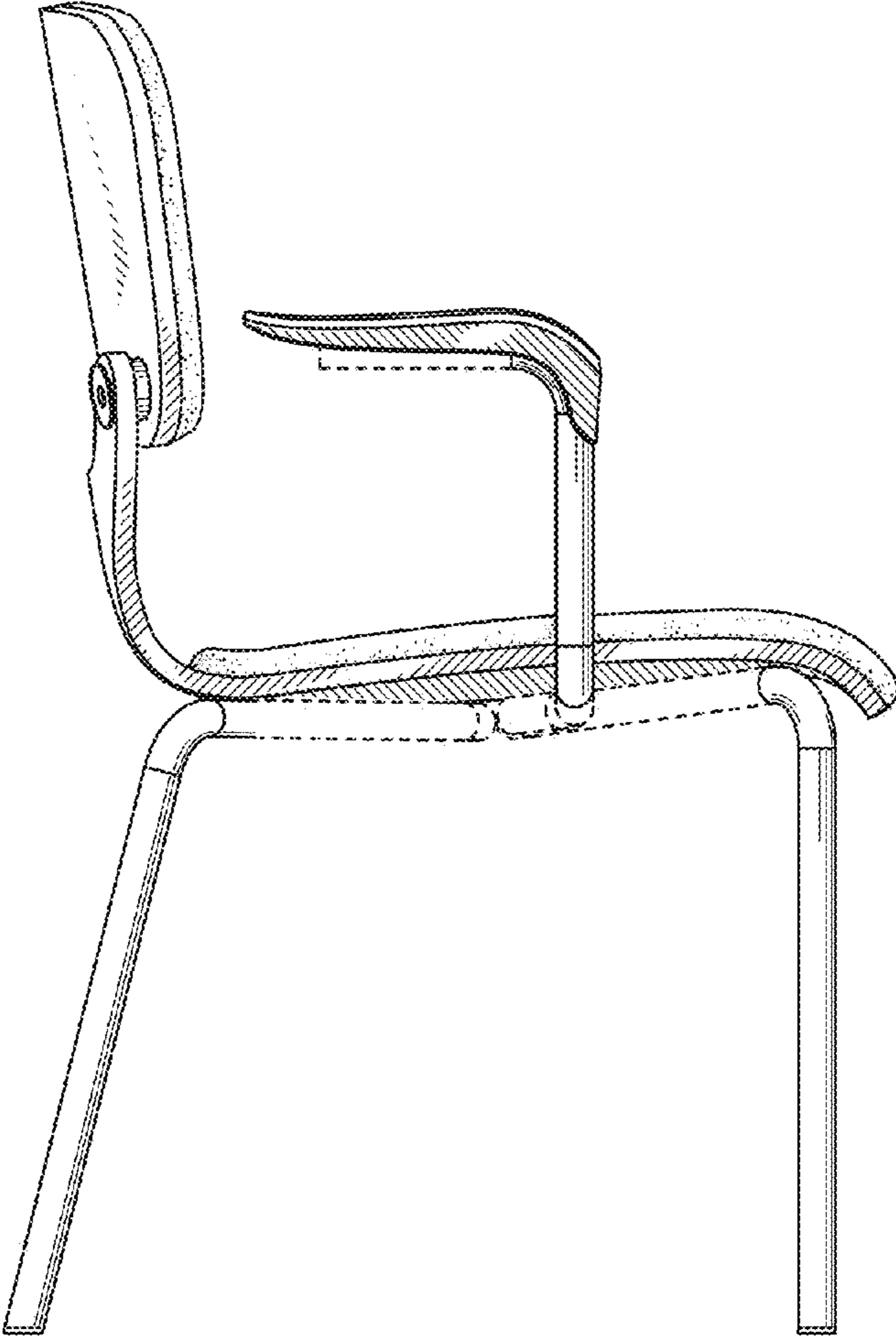


FIG. 12

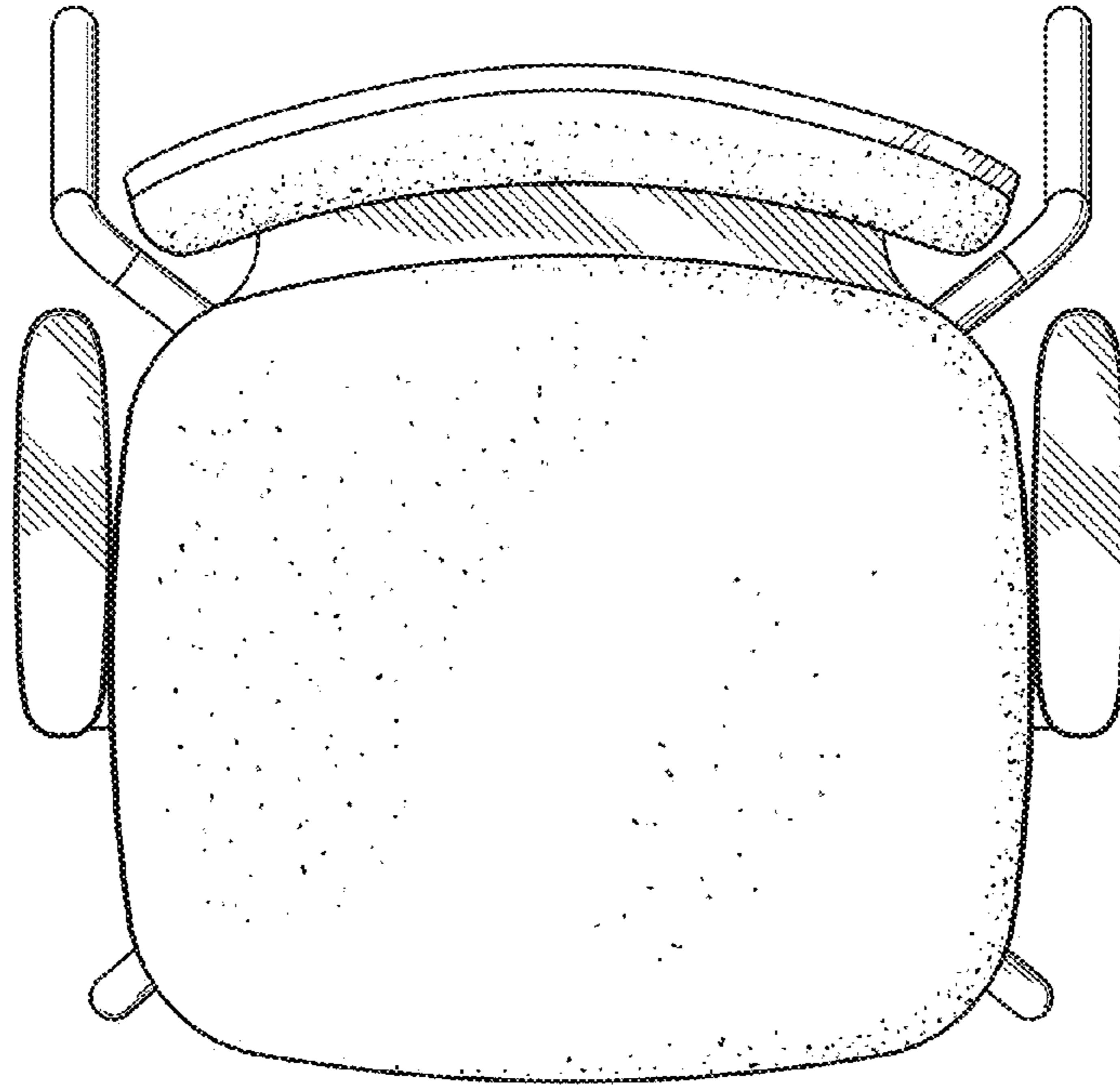


FIG. 13

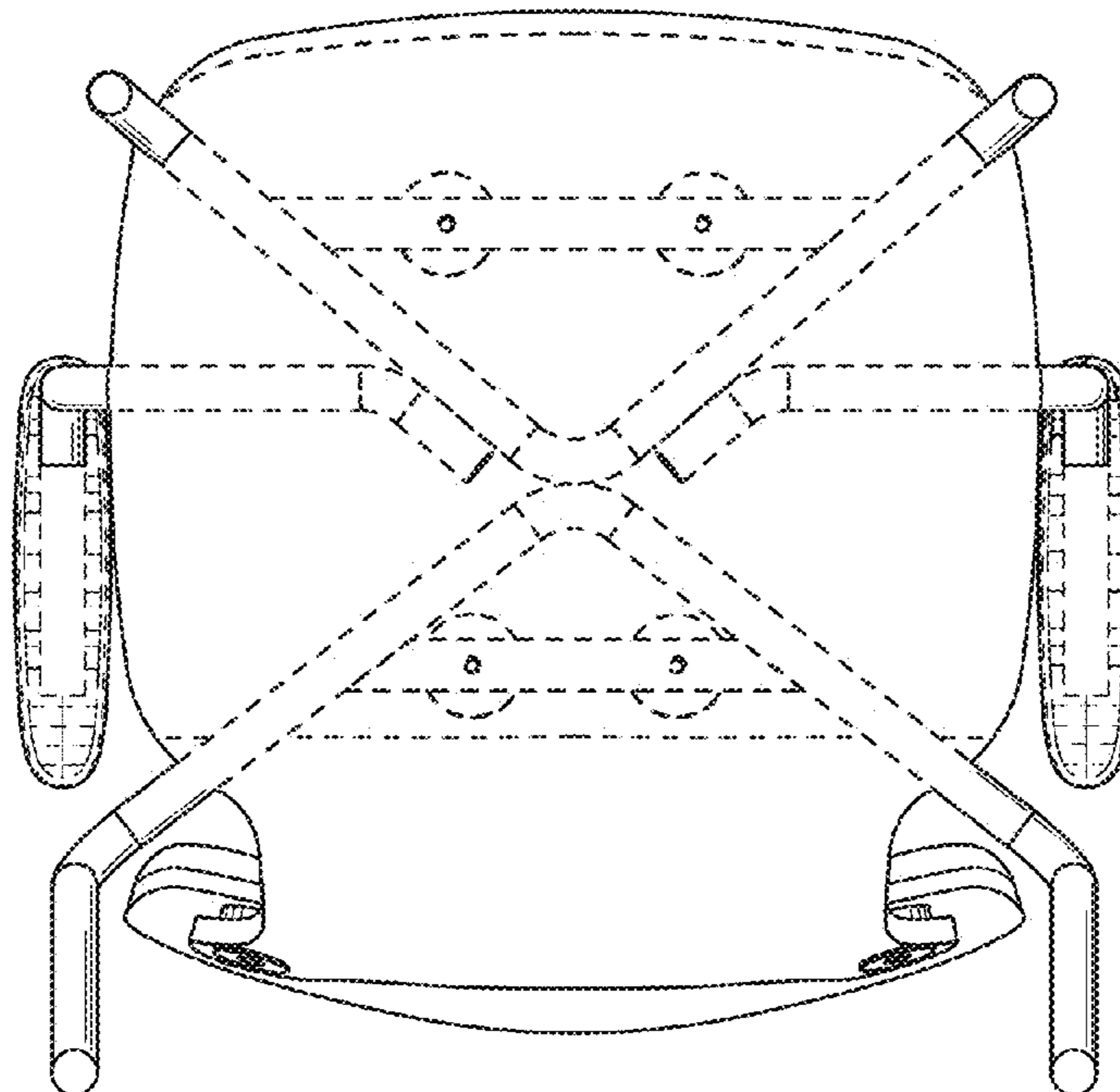


FIG. 14