



US00D723821S

(12) **United States Design Patent**
Kondou

(10) **Patent No.:** **US D723,821 S**
(45) **Date of Patent:** **** Mar. 10, 2015**

(54) **SEAT FOR AUTOMOBILE**

(71) Applicant: **Fuji Jukogyo Kabushiki Kaisha**, Tokyo (JP)

(72) Inventor: **Takashi Kondou**, Tokyo (JP)

(73) Assignee: **Fuji Jukogyo Kabushiki Kaisha**, Tokyo (JP)

(**) Term: **14 Years**

(21) Appl. No.: **29/481,699**

(22) Filed: **Feb. 10, 2014**

(30) **Foreign Application Priority Data**

Aug. 9, 2013 (JP) 2013-018382

(51) **LOC (10) Cl.** **06-01**

(52) **U.S. Cl.**
USPC **D6/356**

(58) **Field of Classification Search**

CPC B60N 2/48; B60N 2/22; B60N 2/449;
B60N 2/4882; A47C 7/40; A47C 7/022;
A47C 7/18

USPC D6/334-336, 356, 367, 368, 374, 375,
D6/716, 716.1, 716.2, 716.3, 716.4;
297/396, 353, 354.1, 452.21, 452.24,
297/452.26, 452.29, 452.34, 452.35

See application file for complete search history.

(56) **References Cited**

U.S. PATENT DOCUMENTS

D440,062	S	*	4/2001	Tsay	D6/356
D460,279	S	*	7/2002	Moburg	D6/356
D535,485	S	*	1/2007	Moburg	D6/356
D541,542	S	*	5/2007	Yokoyama et al.	D6/356
D578,785	S	*	10/2008	Wyszogrod et al.	D6/356
D592,413	S	*	5/2009	Higashida	D6/356
D614,878	S	*	5/2010	Higashida et al.	D6/356
D650,187	S	*	12/2011	Nakaminami et al.	D6/356
D695,535	S	*	12/2013	Moburg et al.	D6/356

* cited by examiner

Primary Examiner — Mimoso De

(74) *Attorney, Agent, or Firm* — Schiff Hardin LLP

(57) **CLAIM**

I claim the ornamental design for seat for automobile, as shown and described.

DESCRIPTION

FIG. 1 is a front perspective view for a “seat for automobile” showing my new design,

FIG. 2 is a rear perspective view thereof,

FIG. 3 is a front view thereof,

FIG. 4 is a rear view thereof,

FIG. 5 is a left-side view thereof,

FIG. 6 is a right-side view thereof,

FIG. 7 is a top view thereof; and,

FIG. 8 is a bottom view thereof.

1 Claim, 8 Drawing Sheets



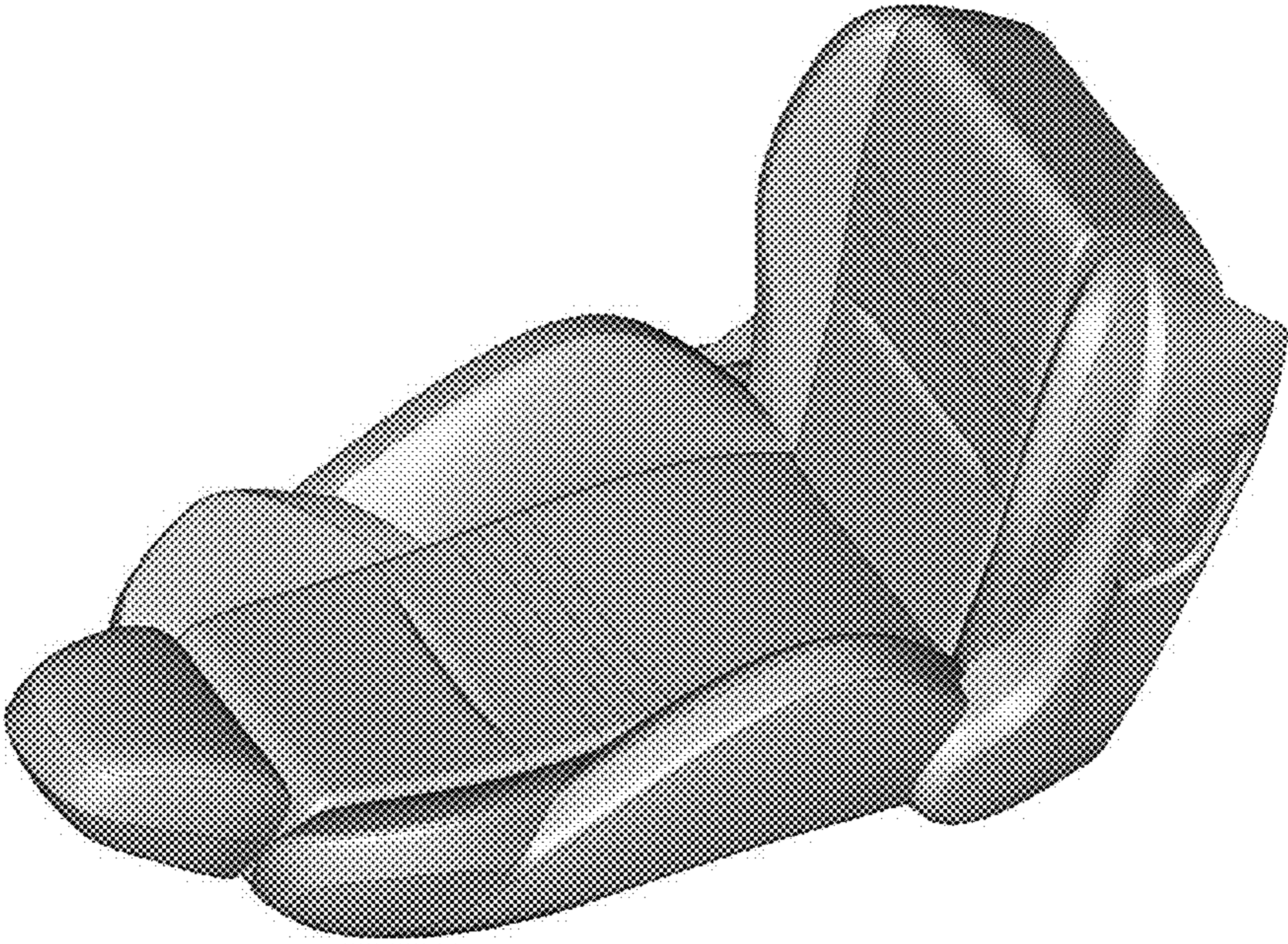


FIG 1

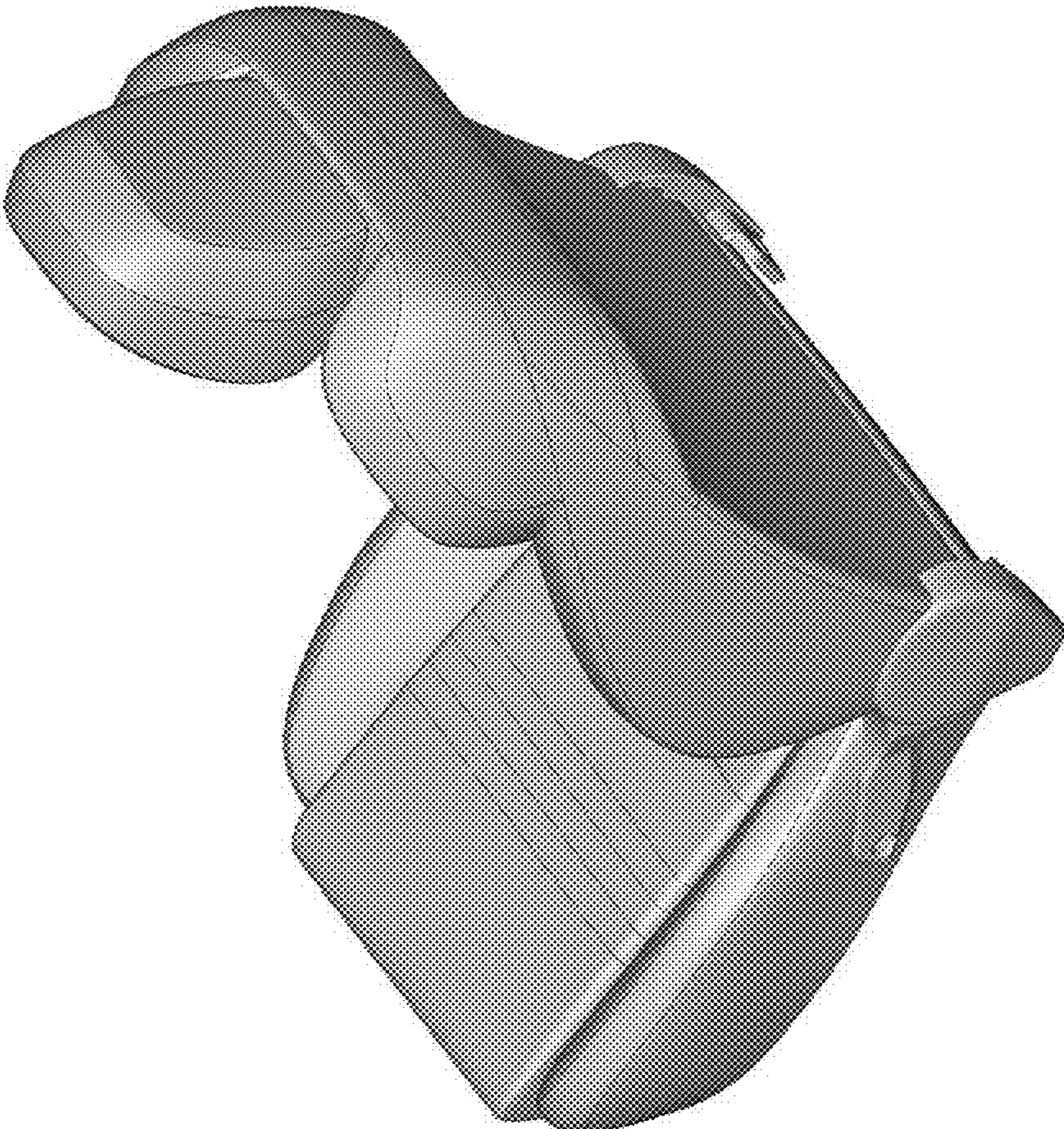


FIG 2

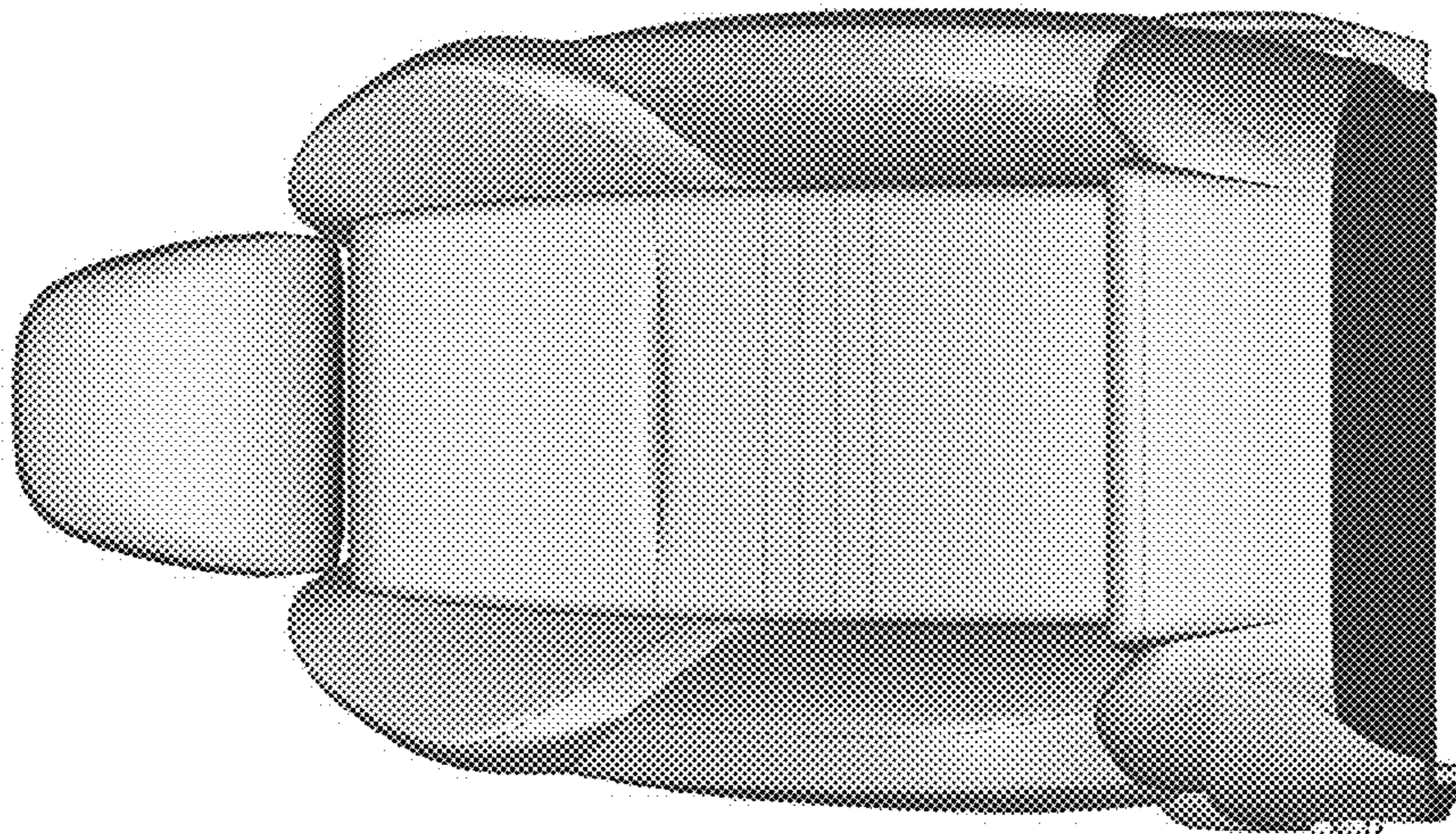


FIG 3

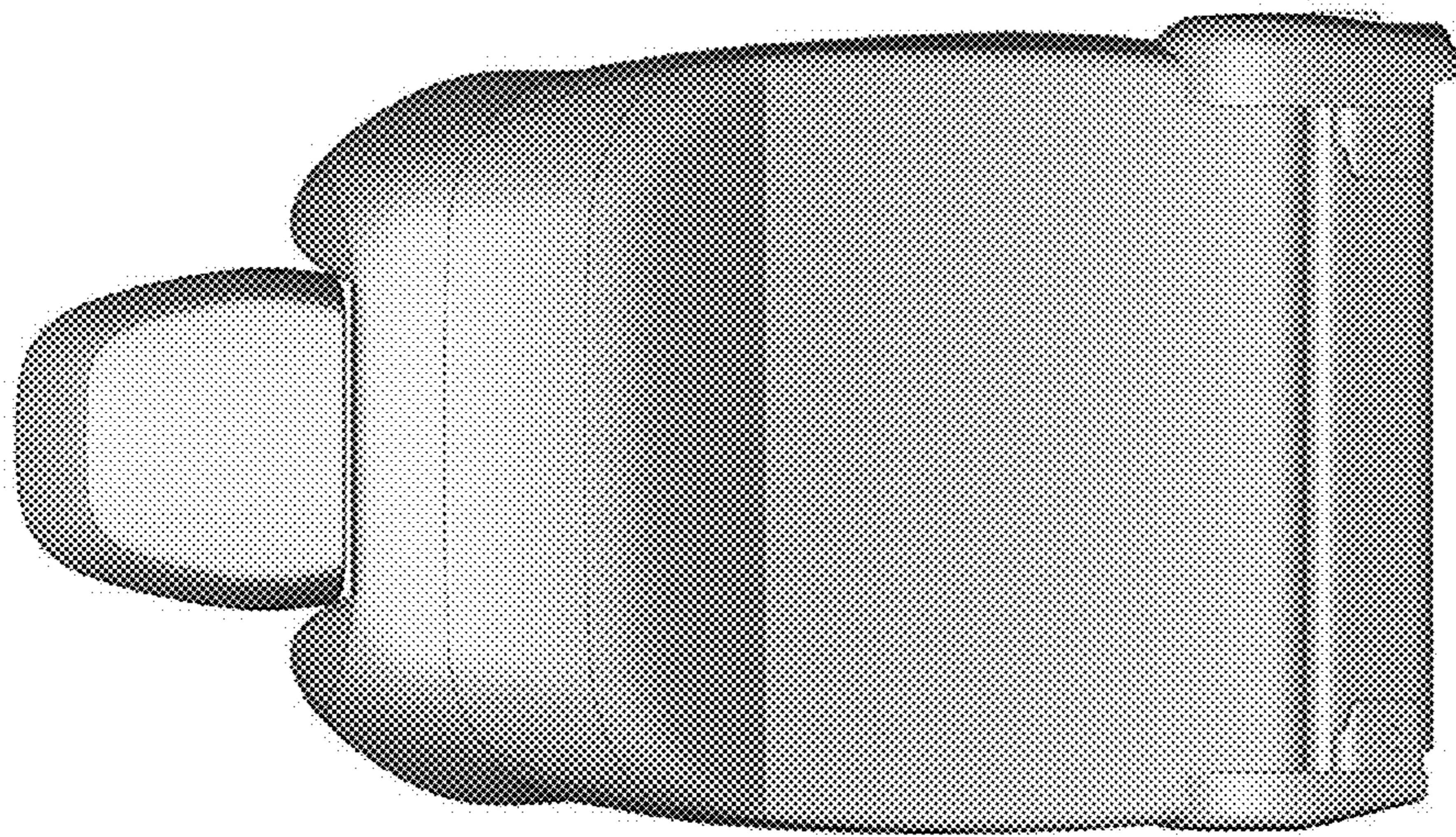


FIG 4

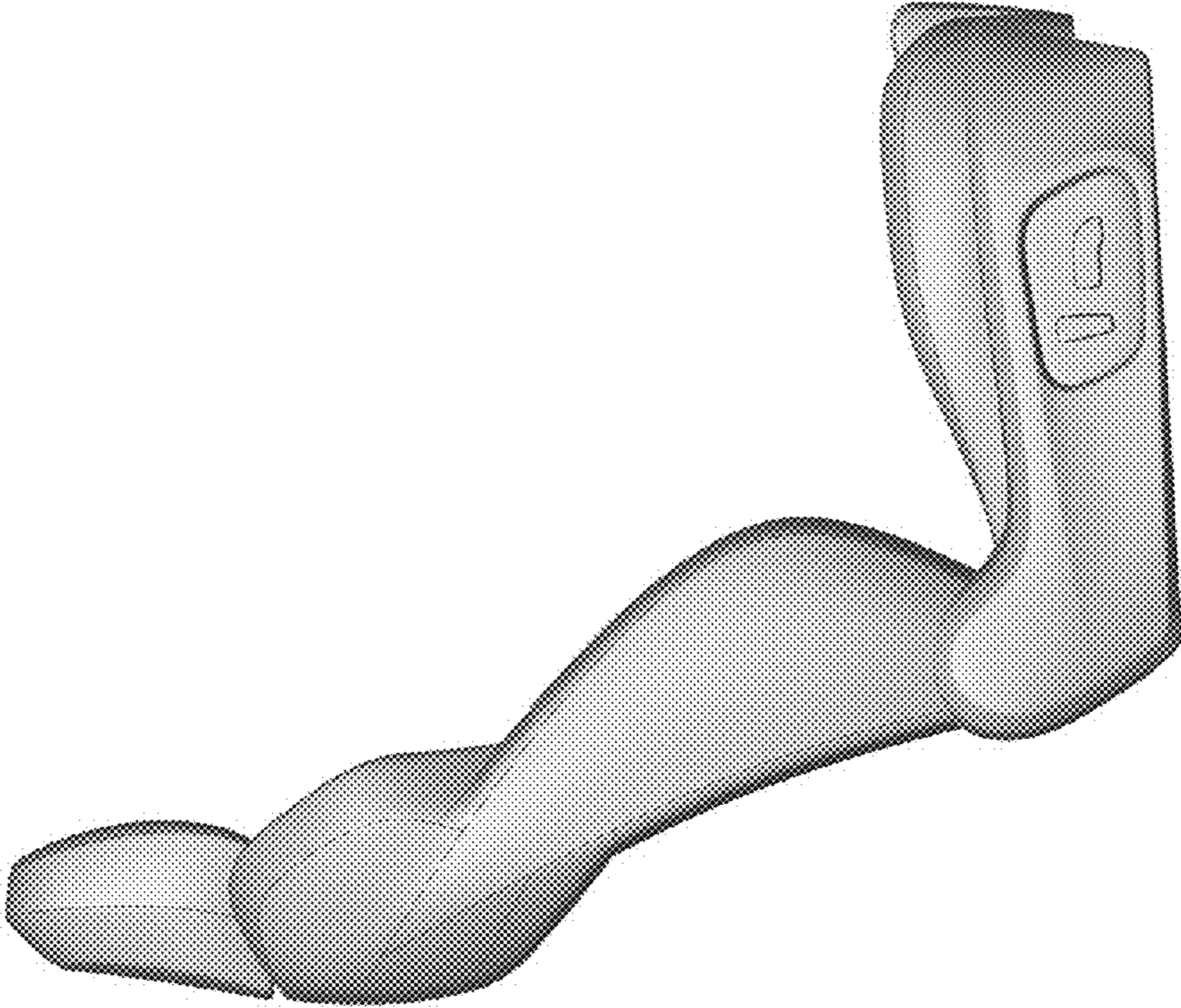


FIG 5

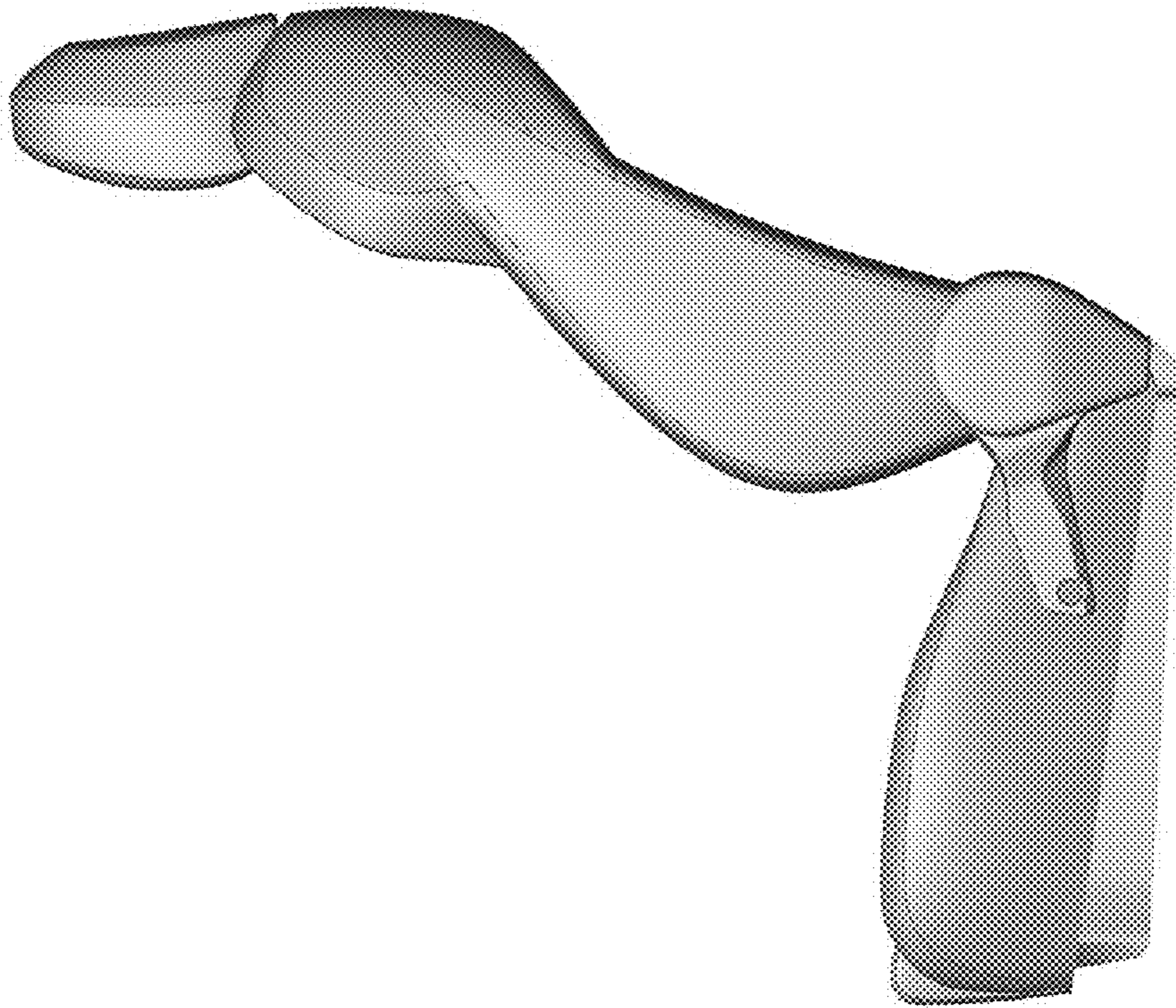


FIG 6

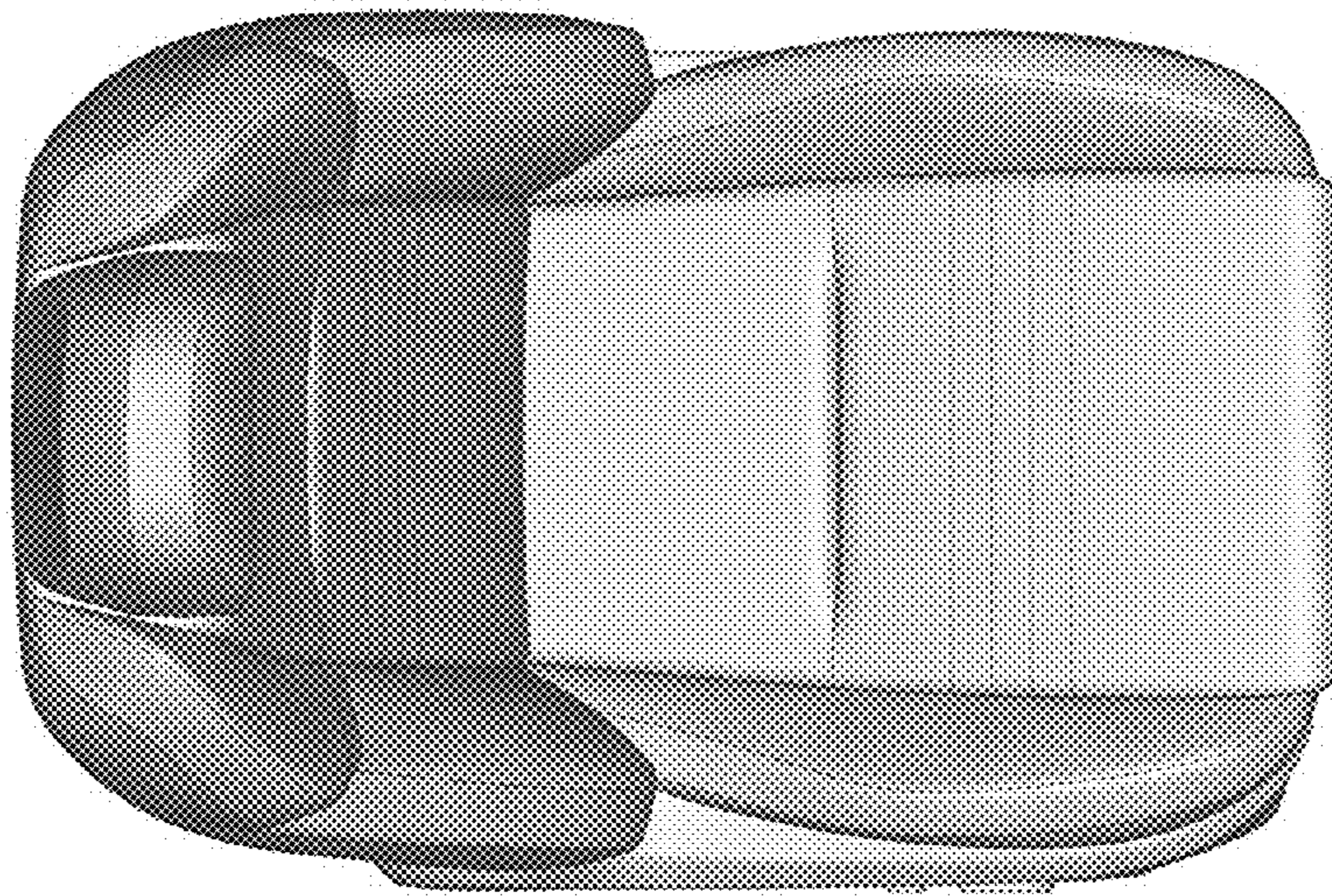


FIG 7

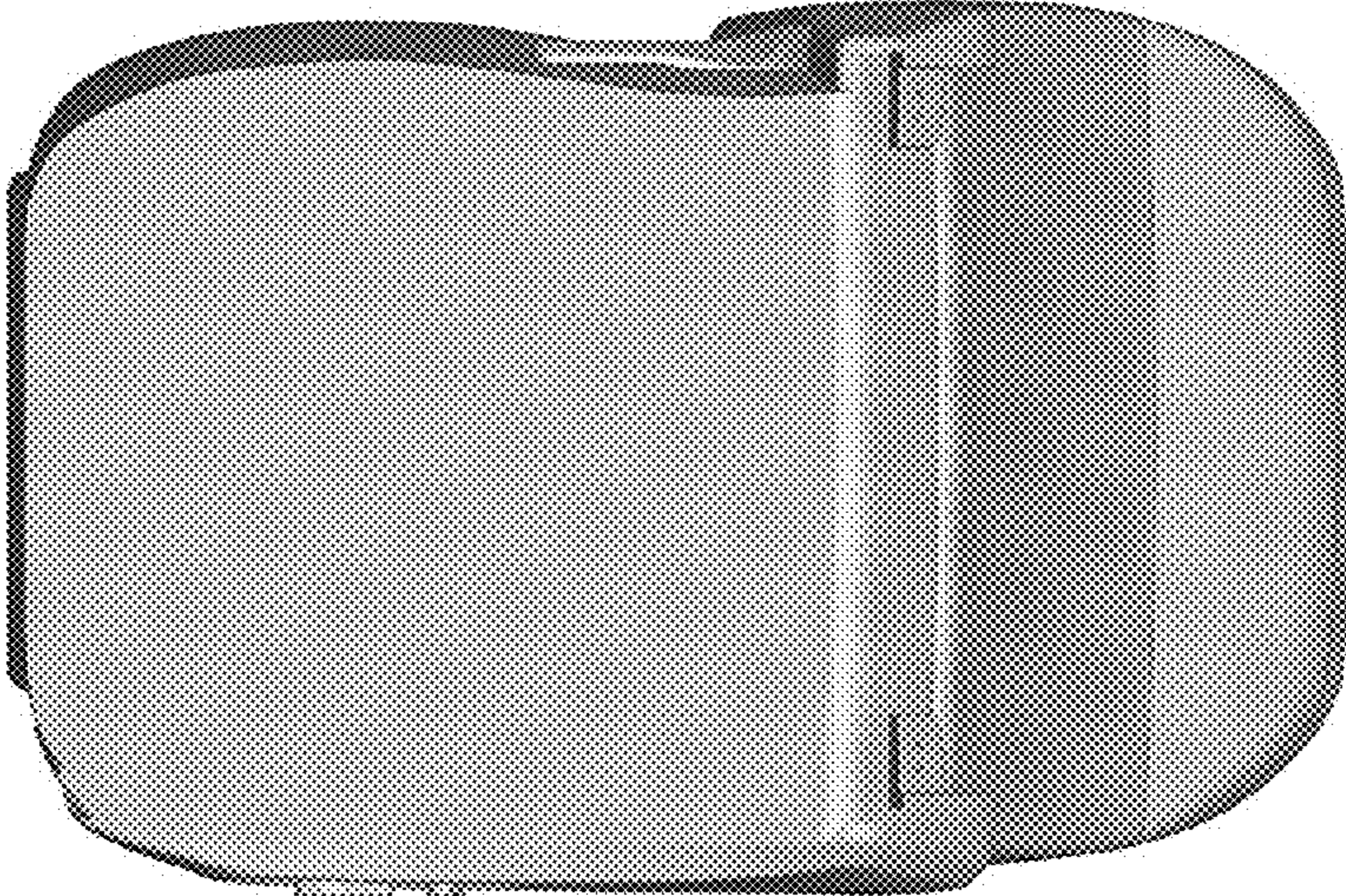


FIG 8