



US00D723819S

(12) **United States Design Patent**
Takahashi et al.

(10) **Patent No.:** **US D723,819 S**
(45) **Date of Patent:** **** Mar. 10, 2015**

(54) **VEHICLE SEAT**

(71) Applicant: **Central Japan Railway Company,**
Nagoya-shi (JP)

(72) Inventors: **Yukio Takahashi,** Nagoya (JP); **Hiroki**
Tsunoda, Nagoya (JP); **Yuya**
Futamura, Nagoya (JP)

(73) Assignee: **Central Japan Railway Company,**
Nagoya-Shi, Aichi (JP)

(**) Term: **14 Years**

(21) Appl. No.: **29/461,132**

(22) Filed: **Jul. 18, 2013**

(30) **Foreign Application Priority Data**

Jan. 22, 2013 (JP) 2013-00967

(51) **LOC (10) Cl.** **06-01**

(52) **U.S. Cl.**
USPC **D6/356**

(58) **Field of Classification Search**

CPC B60N 3/004; B60N 2/075; B60N 2/70;
A47C 7/70; A47C 1/124; A47C 7/40; A47C
7/546; A47C 7/022; B64D 11/06
USPC D6/334-336, 356, 367, 368, 374, 375,
D6/716, 716.1, 716.2, 716.3, 716.4;
297/163, 188.04, 248, 344.1, 353,
297/411.28, 452.24, 452.35; 244/122 R
See application file for complete search history.

(56) **References Cited**

U.S. PATENT DOCUMENTS

D186,105 S * 9/1959 Dietz et al. D6/356
D250,071 S * 10/1978 Dickerson D6/356
D257,918 S * 1/1981 Reida et al. D6/356
D267,372 S * 12/1982 Long et al. D6/356

D268,973 S * 5/1983 White D6/356
D273,642 S * 5/1984 Marrujo D6/356
D336,379 S * 6/1993 Veneruso D6/356
5,695,240 A * 12/1997 Luria B60N 3/004
6,241,188 B1 * 6/2001 Simpson et al. B64D 11/06
6,688,554 B2 * 2/2004 Weekly B64D 11/06
D487,856 S * 3/2004 Kalinowski et al. D6/716
6,715,716 B1 * 4/2004 Cheung B64D 11/06
6,749,266 B2 * 6/2004 Williamson A47C 7/70
6,758,518 B2 * 7/2004 Ingram et al. A47C 7/70
6,793,282 B2 * 9/2004 Plant et al. B64D 11/06
D505,796 S * 6/2005 Johnson D6/356
7,083,234 B2 * 8/2006 Dowty et al. B64D 11/06
D605,863 S * 12/2009 Aruga et al. D6/356
D632,105 S * 2/2011 Aruga et al. D6/716
8,020,936 B2 * 9/2011 Asami et al. A47C 7/40
D686,422 S * 7/2013 Robinson D6/356
8,596,724 B1 * 12/2013 Ahad B60N 3/004

* cited by examiner

Primary Examiner — Mimoso De

(74) *Attorney, Agent, or Firm* — McGinn IP Law Group,
PLLC

(57) **CLAIM**

The ornamental design for a vehicle seat, as shown and
described.

DESCRIPTION

FIG. 1 is a front perspective view of a vehicle seat showing
our new design in a state that one table is extended;
FIG. 2 is a rear perspective view thereof in a state that one
table is extended;
FIG. 3 is a front view thereof;
FIG. 4 is a rear view thereof;
FIG. 5 is a right side view thereof;
FIG. 6 is a left side view thereof;
FIG. 7 is a top plan view thereof;
FIG. 8 is a bottom view thereof; and,
FIG. 9 is a reference right side view thereof in a state that one
table is extended.

1 Claim, 9 Drawing Sheets

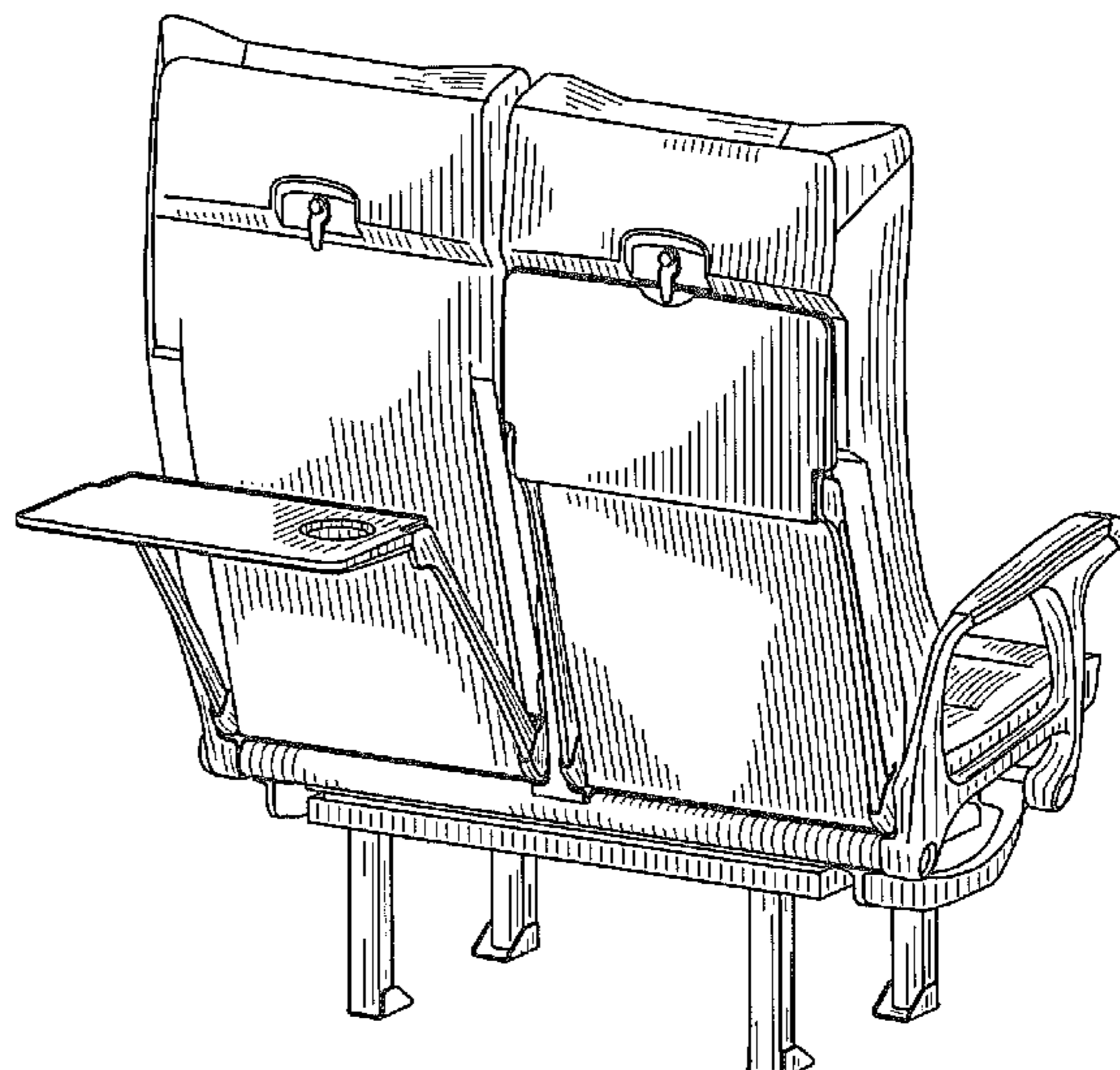
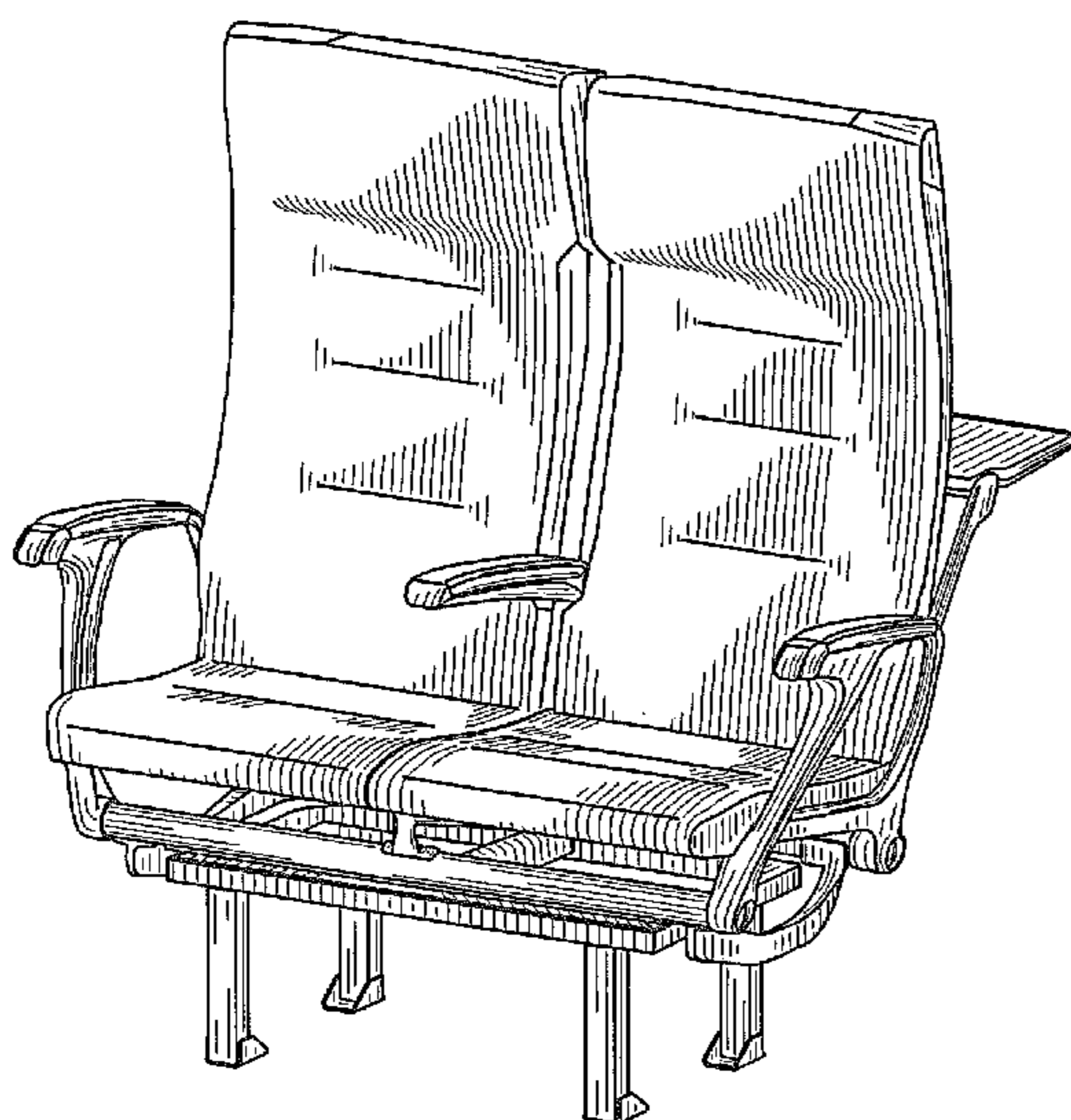


FIG. 1

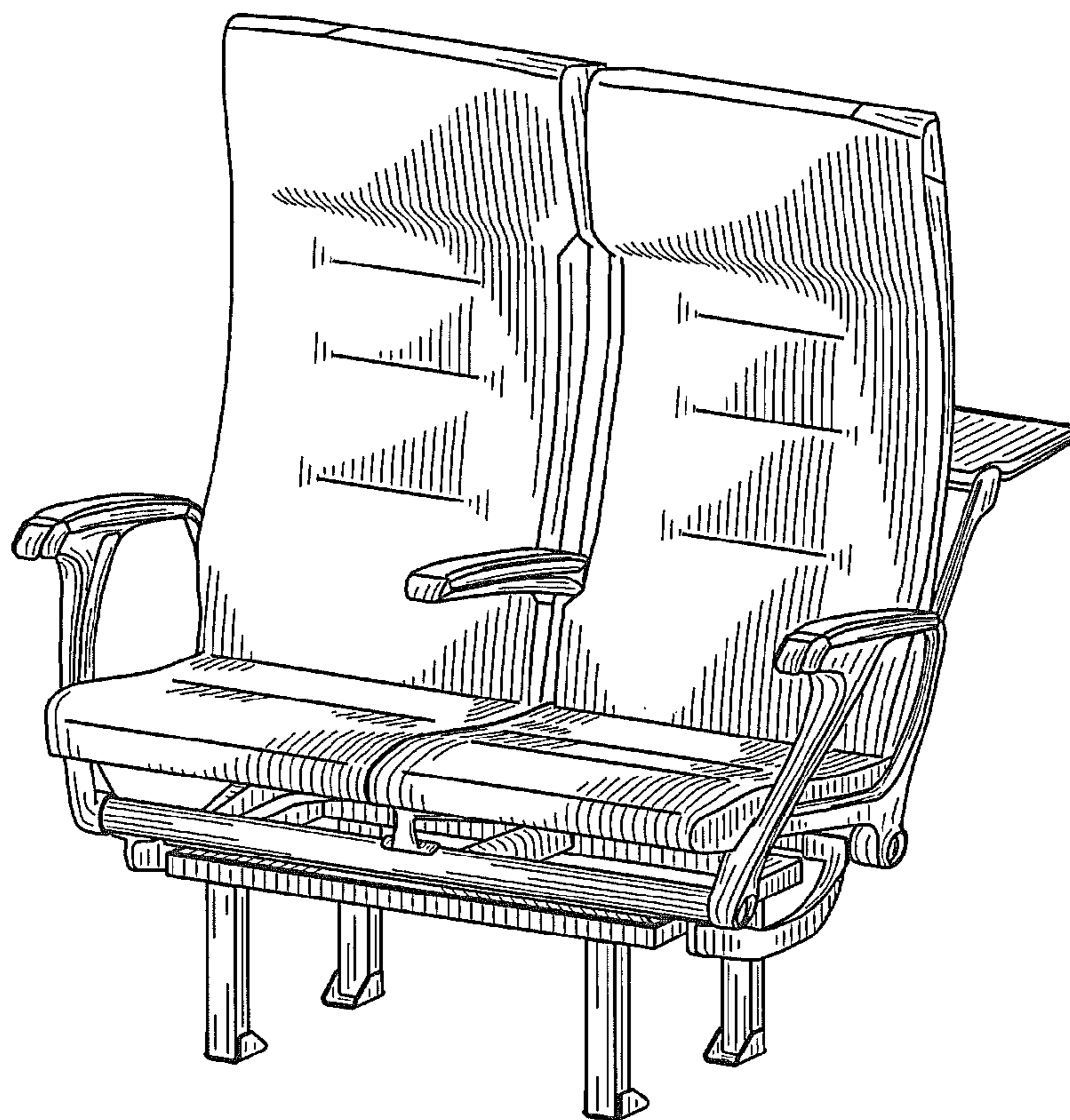


FIG. 2

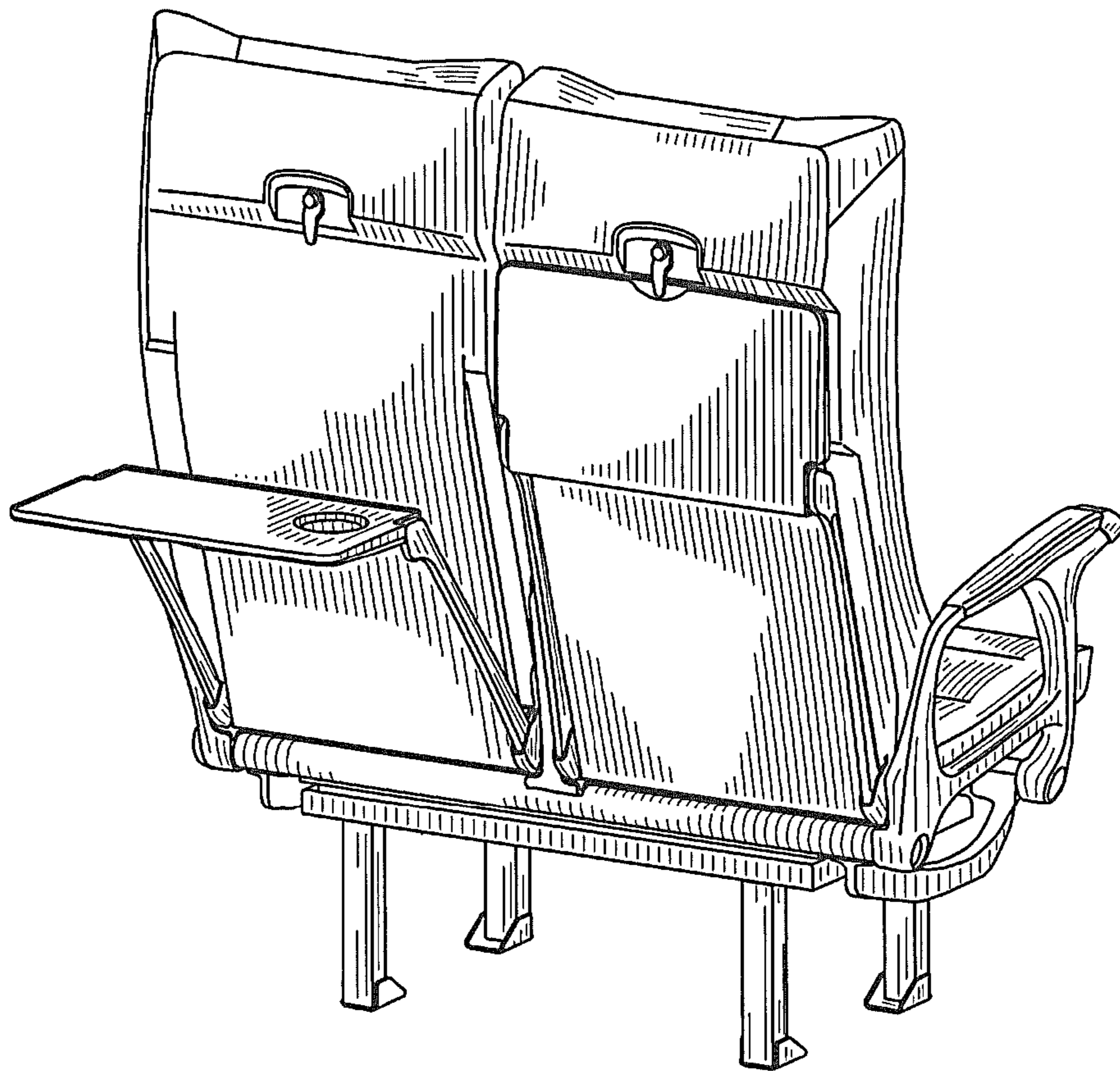


FIG. 3

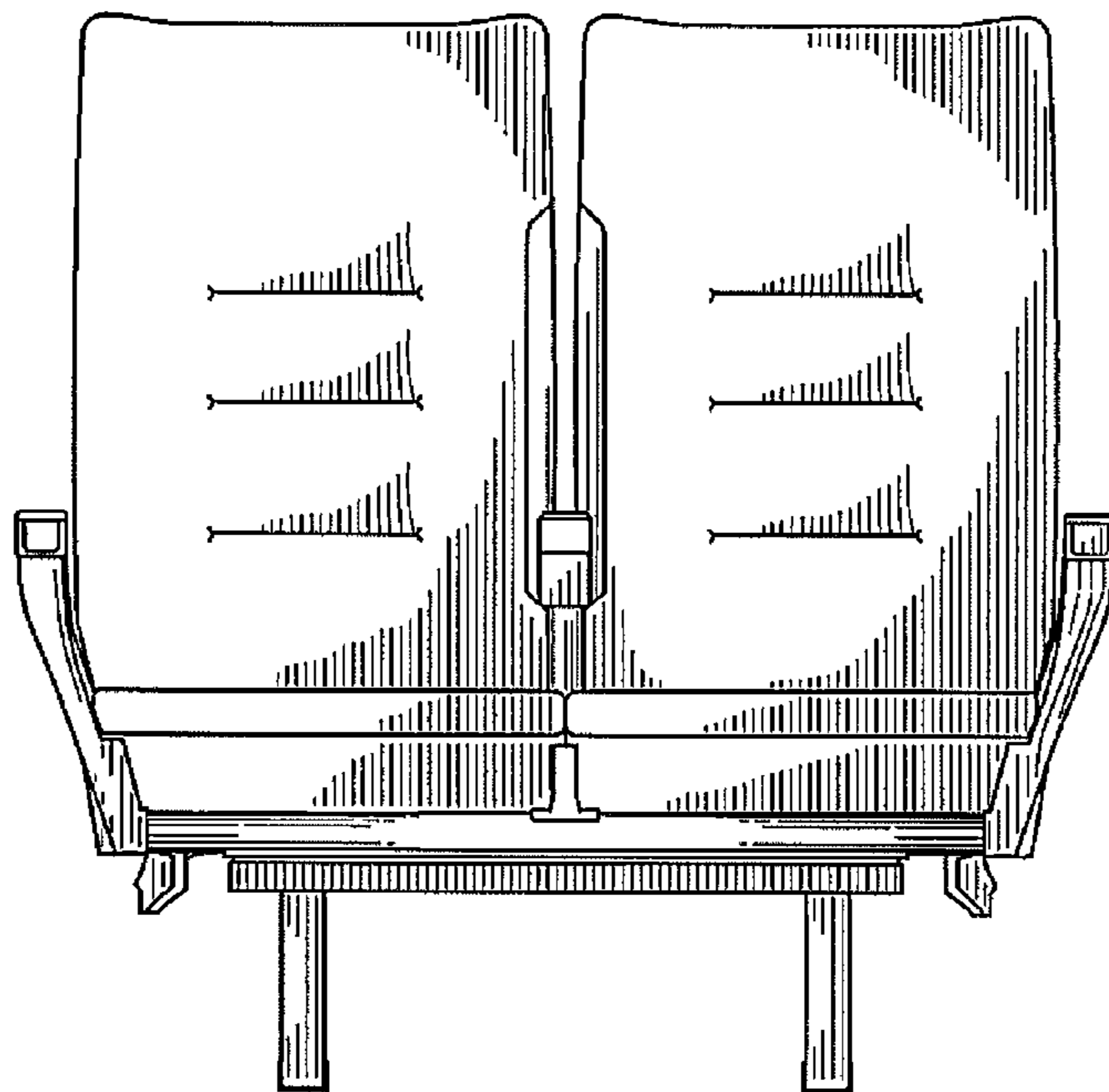


FIG. 4

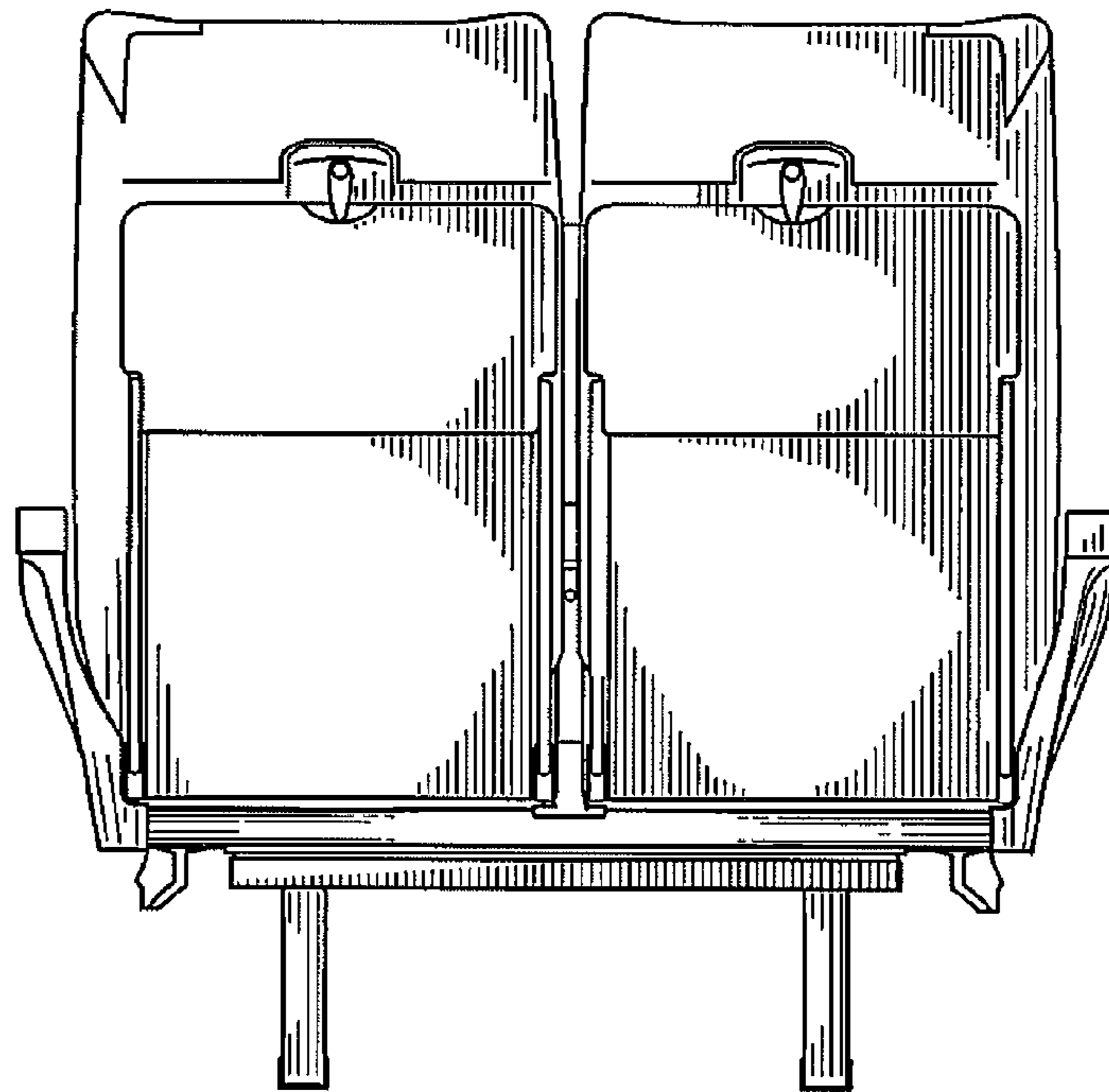


FIG. 5

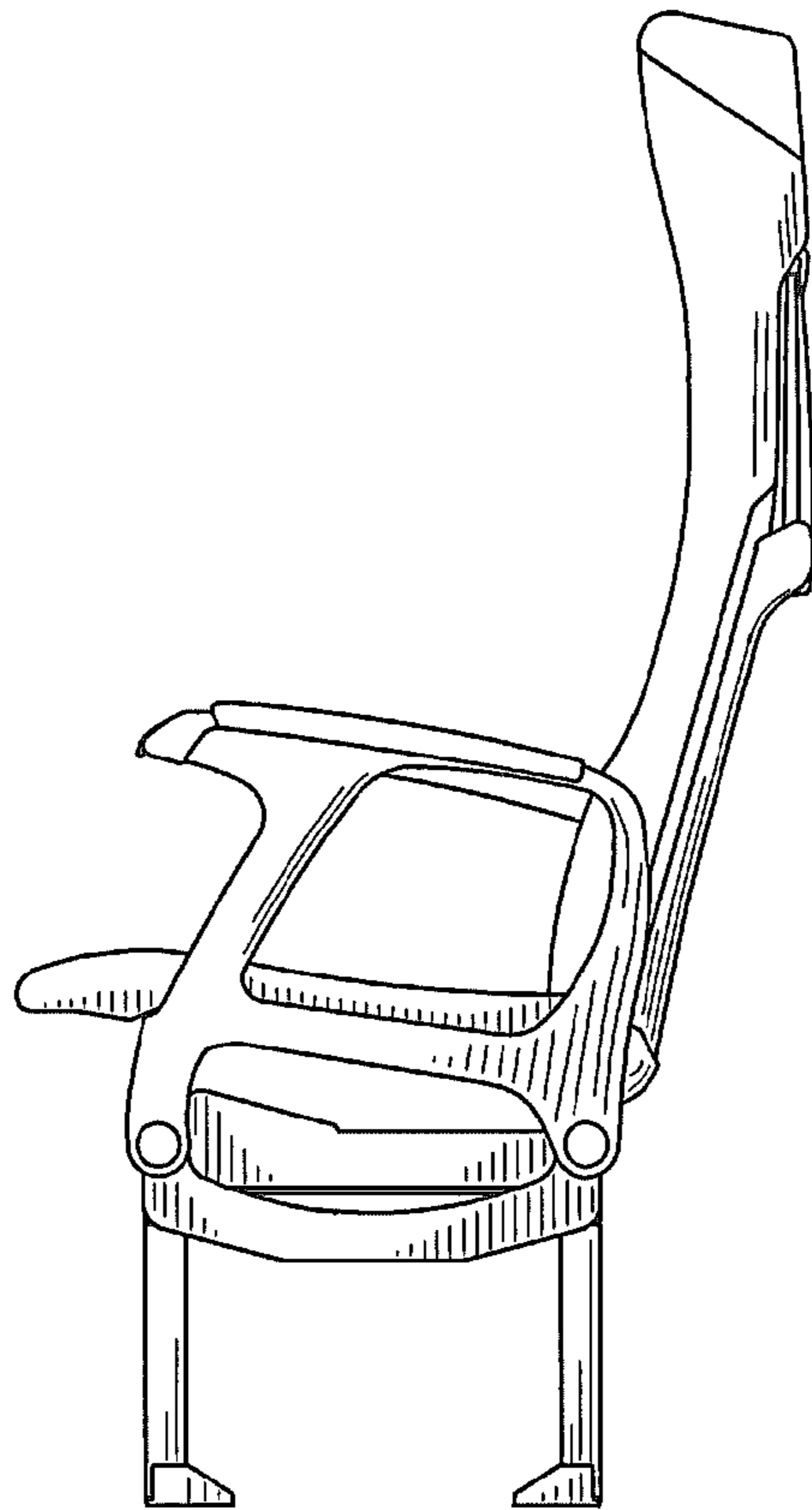


FIG. 6

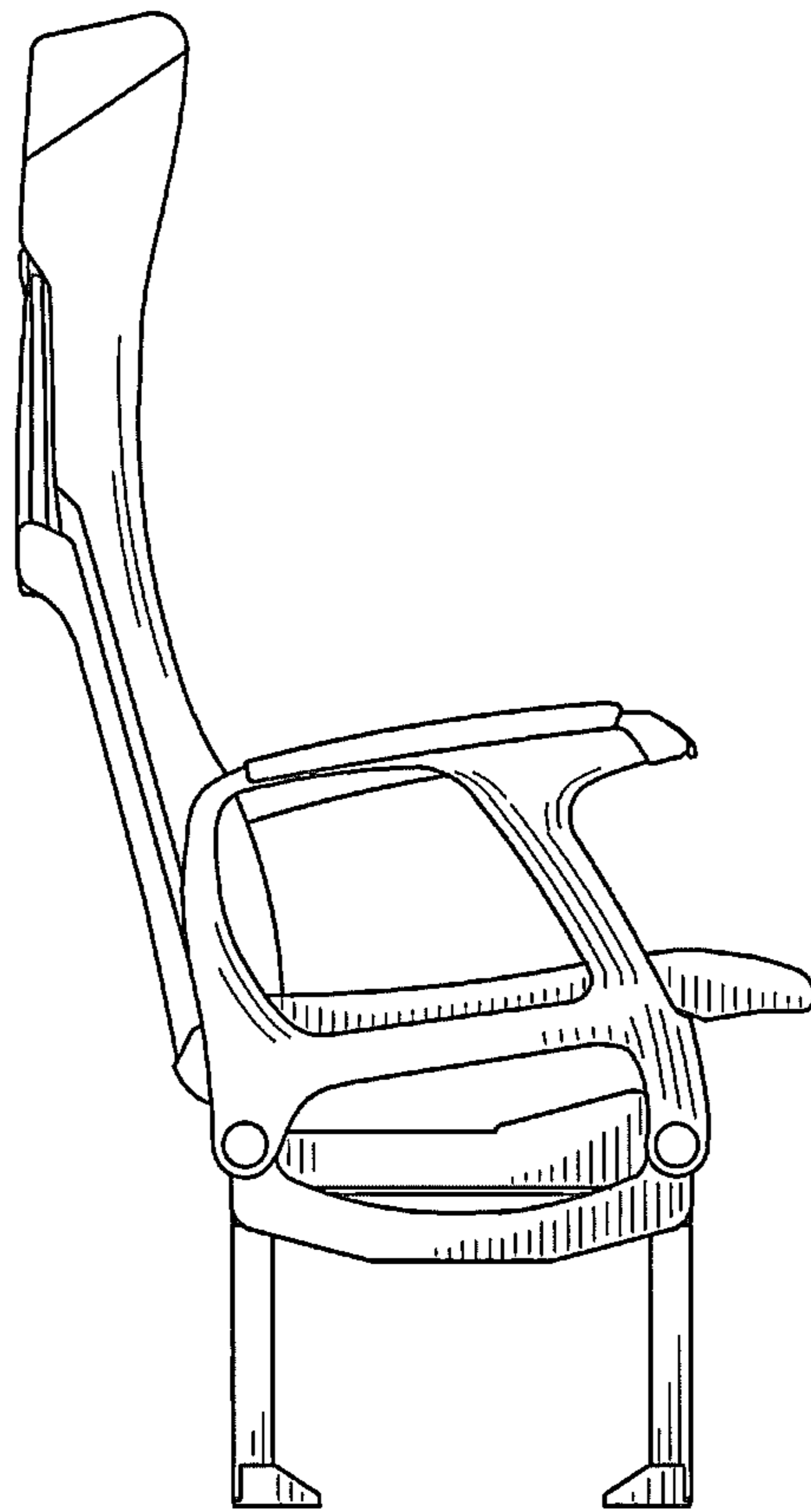


FIG. 7

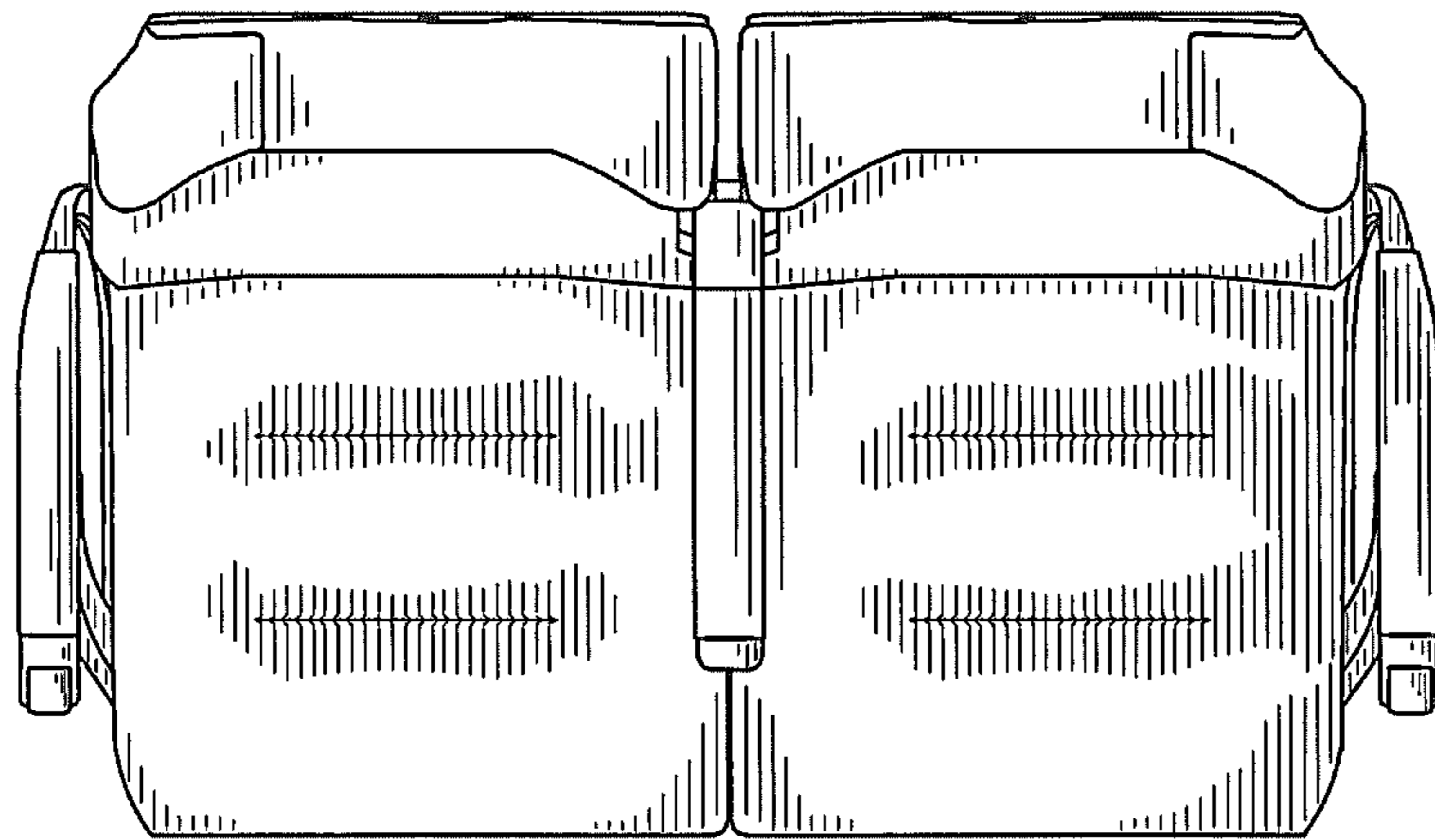


FIG. 8

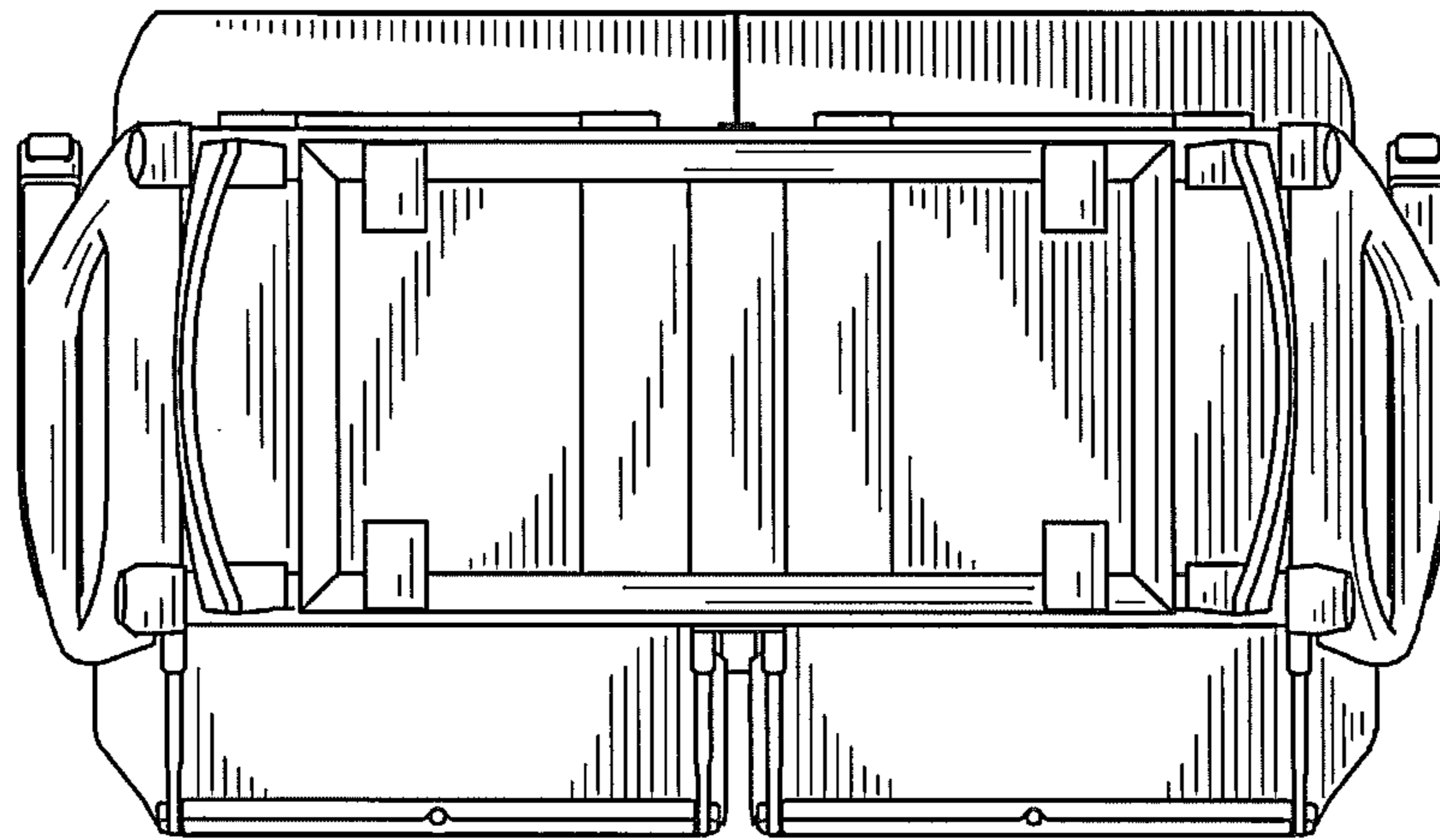


FIG. 9

