



US00D723818S

(12) **United States Design Patent**
Cleveland et al.

(10) **Patent No.:** **US D723,818 S**
(45) **Date of Patent:** **** Mar. 10, 2015**

- (54) **CHAIR**
- (71) Applicant: **The Florida State University Research Foundation, Inc.**, Tallahassee, FL (US)
- (72) Inventors: **Amanda Cleveland**, Tallahassee, FL (US); **Marlo Ransdell**, Tallahassee, FL (US)
- (73) Assignee: **The Florida State University Research Foundation, Inc.**, Tallahassee, FL (US)
- (**) Term: **14 Years**
- (21) Appl. No.: **29/494,236**
- (22) Filed: **Jun. 18, 2014**
- (51) **LOC (10) Cl.** **06-01**
- (52) **U.S. Cl.**
USPC **D6/355**
- (58) **Field of Classification Search**
USPC D6/334–336, 344, 348, 349, 355, 361, D6/370, 371–373, 375, 376, 716, 716.1, D6/716.2, 716.3, 716.4, 717; D21/688; 297/258.1, 271.5, 271.6, 440.1, 297/440.15, 452.19, 452.63
See application file for complete search history.

(56) **References Cited**

U.S. PATENT DOCUMENTS

637,706	A	11/1899	Brown	
D141,295	S	5/1945	Wright	
D236,046	S	* 7/1975	Ginat	D6/348
D256,070	S	7/1980	Fejer et al.	
D291,034	S	* 7/1987	Burns	D6/348
D357,815	S	5/1995	Vidal	
D375,415	S	* 11/1996	Cutten	D6/361
D437,127	S	2/2001	Bradt	
D448,581	S	* 10/2001	Branch	D6/348
D448,582	S	* 10/2001	Branch	D6/348
D461,649	S	* 8/2002	Prins et al.	D6/336
D496,803	S	10/2004	Bjurman	
D498,066	S	11/2004	Ige et al.	

D499,259 S 12/2004 Bjurman
6,997,513 B2 2/2006 Ige et al.
D521,752 S 5/2006 Messier

(Continued)

FOREIGN PATENT DOCUMENTS

CN 201445181 U 5/2010

OTHER PUBLICATIONS

Yoga Studio. Handmade Wooden Meditation Rocker—Made in UK. Date Accessed Jun. 18, 2014. http://www.yogastudio.co.uk/yoga/Wood_Mediation_Rocker.html.

(Continued)

Primary Examiner — Mimosa De

(74) *Attorney, Agent, or Firm* — Nilay J. Choksi; Smith & Hopen, P.A.

(57) **CLAIM**

The ornamental design for a chair, as substantially shown and described.

DESCRIPTION

FIG. 1 is an isometric perspective view of a chair, showing the novel design.

FIG. 2 is an exploded view of profiles and slat joinery of the chair shown in FIG. 1.

FIG. 3 is a top plan view of the chair shown in FIG. 1.

FIG. 4 is an elevated front side view of the chair shown in FIG. 1.

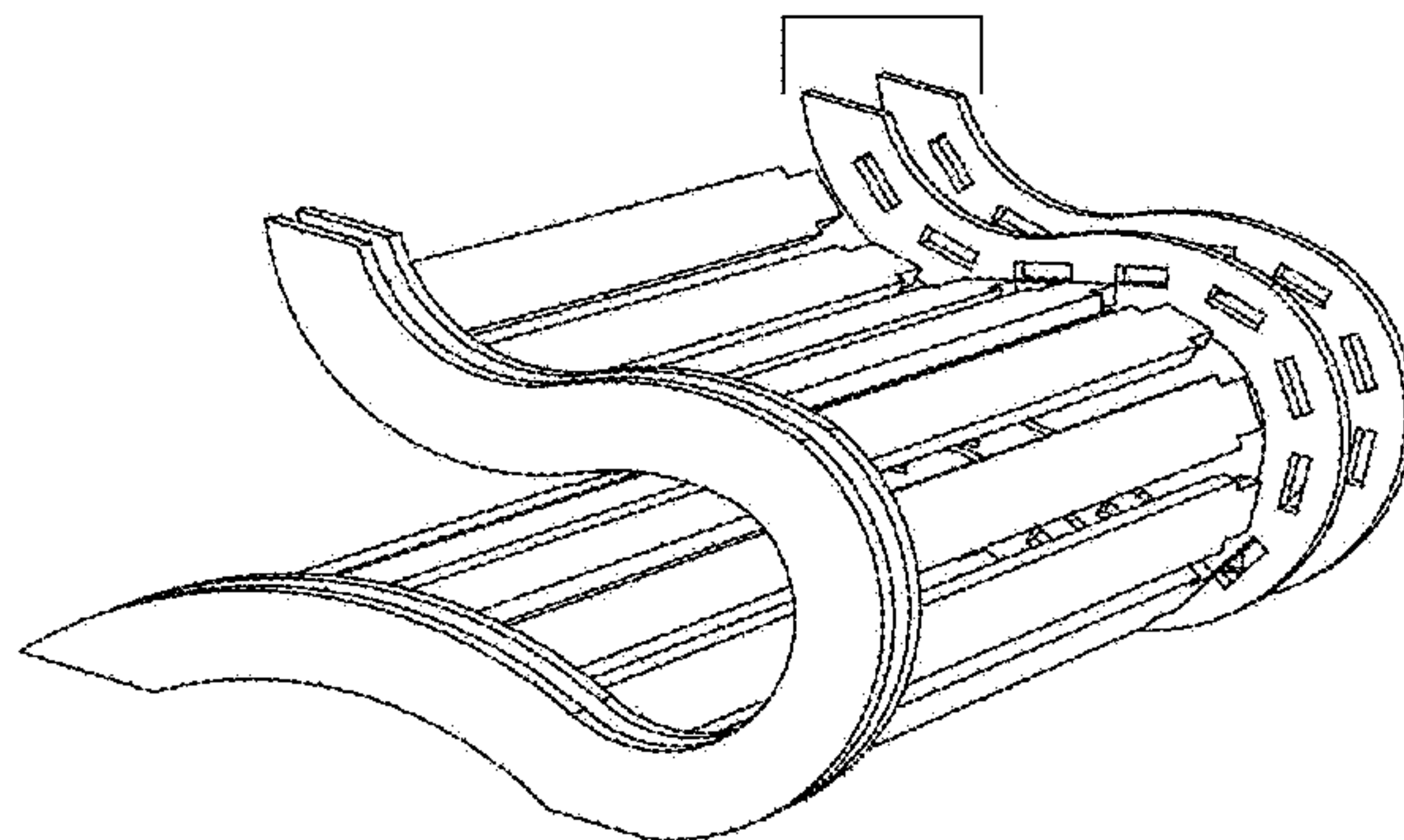
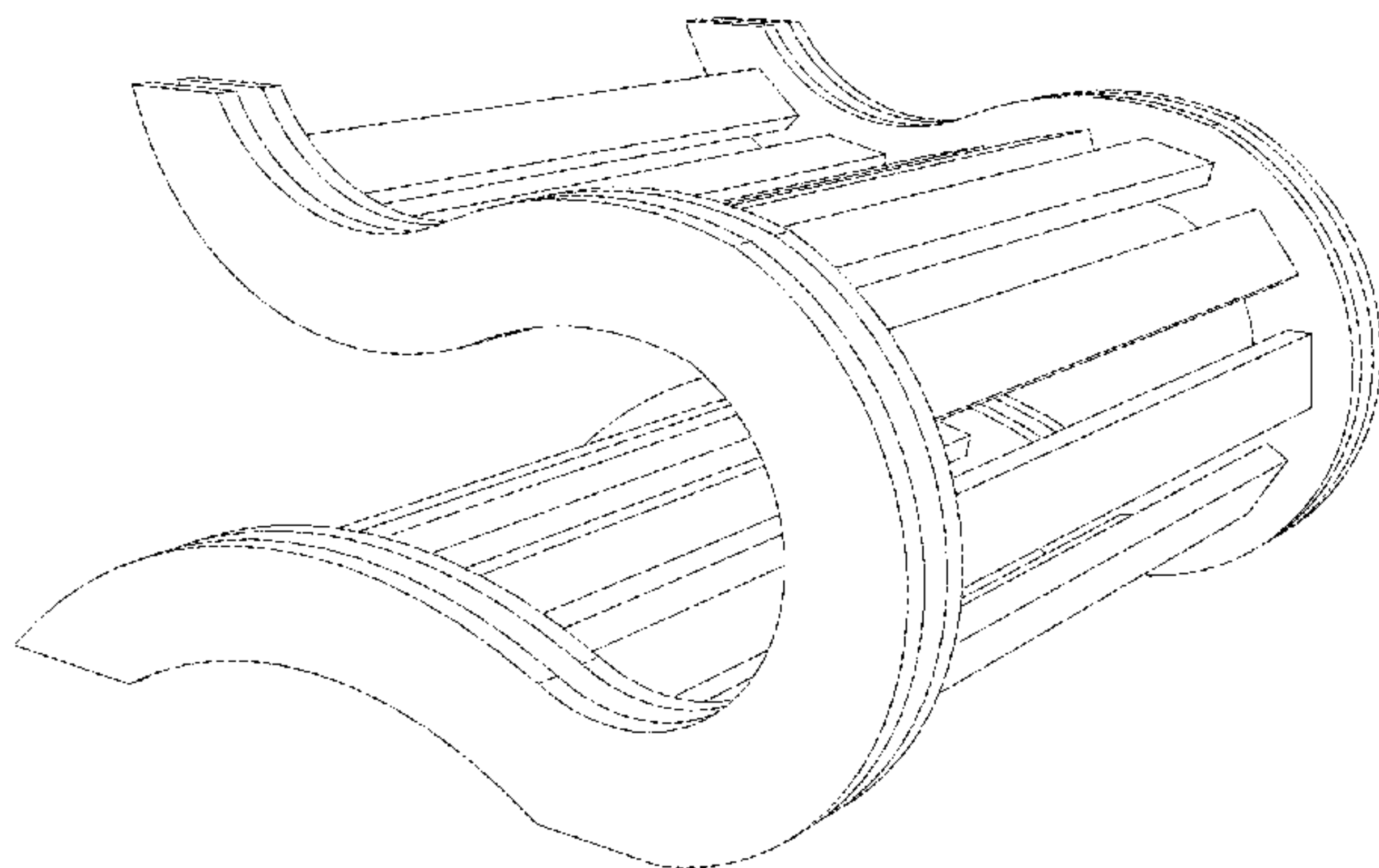
FIG. 5 is an elevated rear side view of the chair shown in FIG. 1.

FIG. 6 is an elevated left side view of the chair shown in FIG. 1; and,

FIG. 7 is an elevated right side view of the chair shown in FIG. 1.

The matter delineated in broken lines forms no part of the claimed ornamental design.

1 Claim, 5 Drawing Sheets



(56)

References Cited

U.S. PATENT DOCUMENTS

D545,072 S * 6/2007 Dessertine D6/348
7,344,197 B2 * 3/2008 Sanderson 297/452.63
D581,174 S 11/2008 Beckerman
7,628,455 B2 12/2009 Brodeur

OTHER PUBLICATIONS

Translation of Chinese Publication No. CN201445181U (filing date Jun. 25, 2009) with a Publication date of May 5, 2010. Title: Chair for Sitting in Mediation; Applicant: Chen Stringers.

* cited by examiner

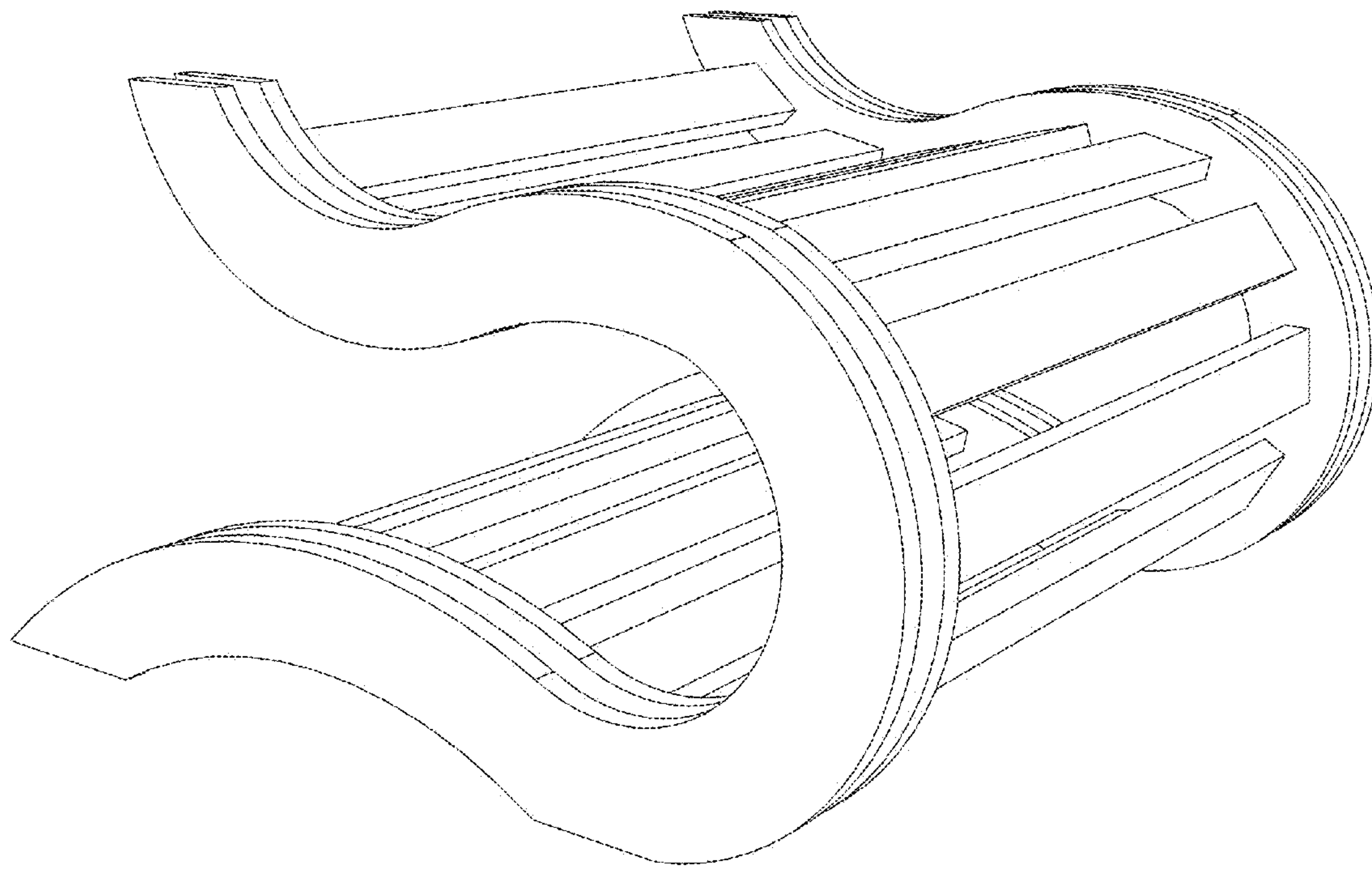


FIG. 1

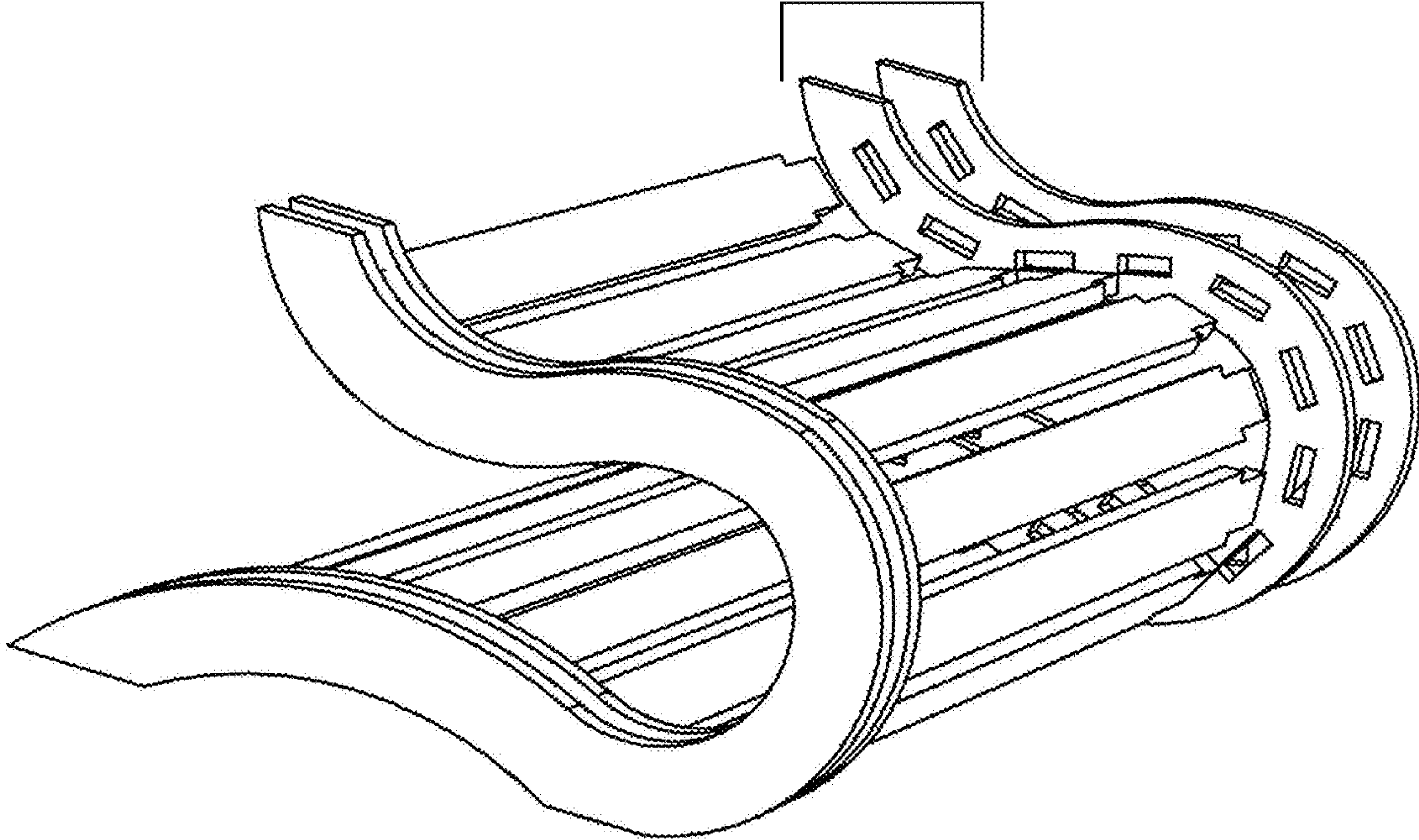


FIG. 2

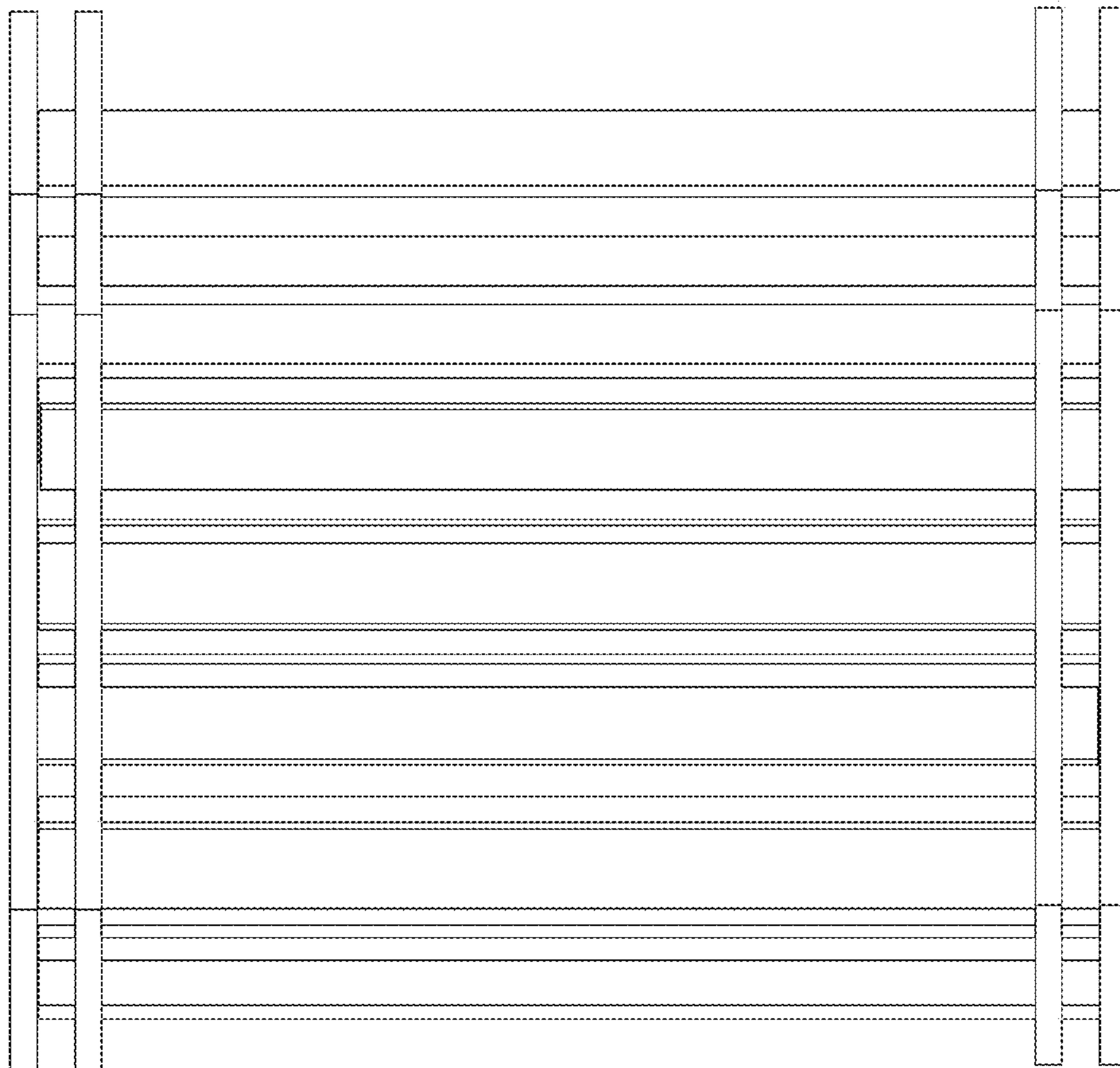


FIG. 3



FIG. 4

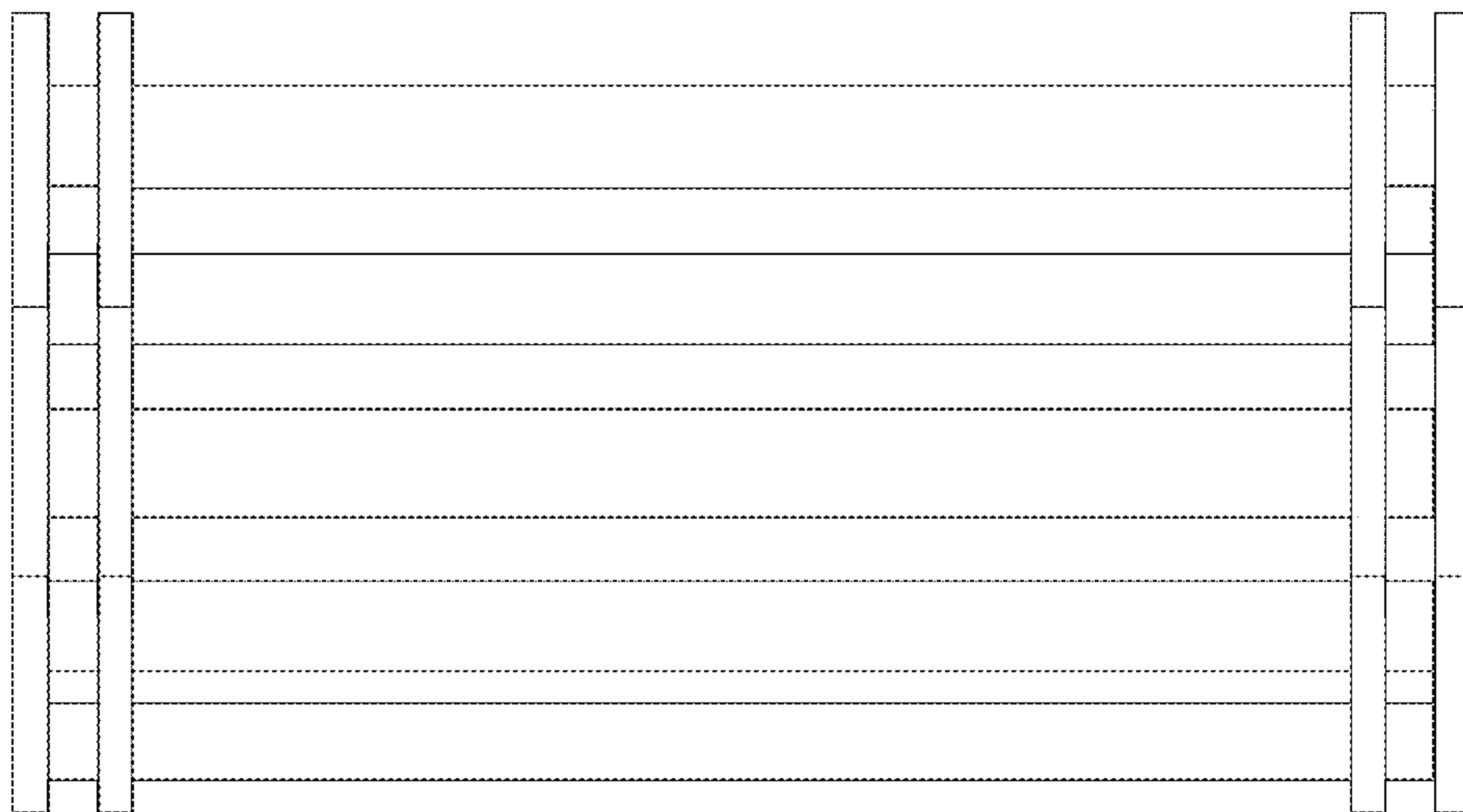


FIG. 5

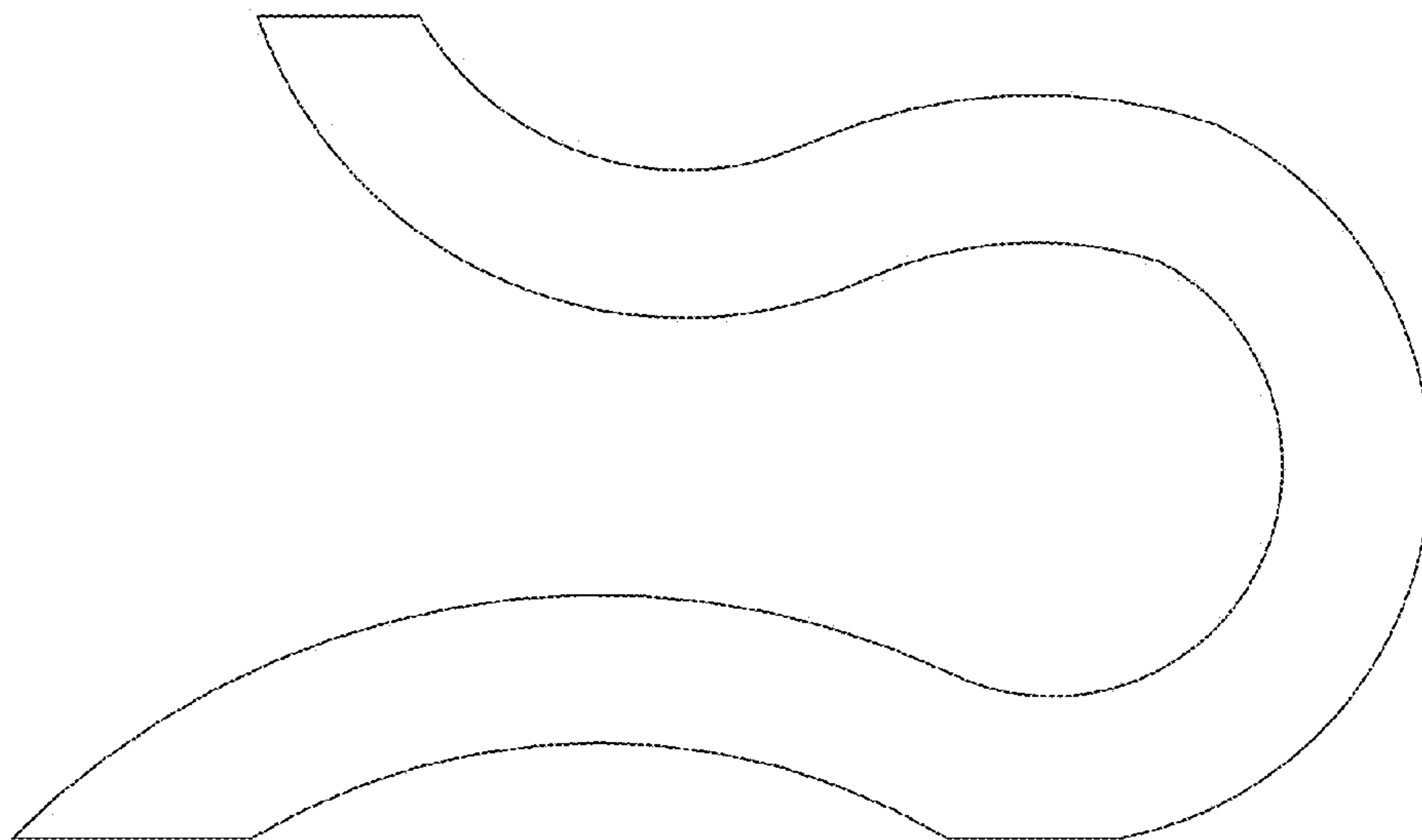


FIG. 6

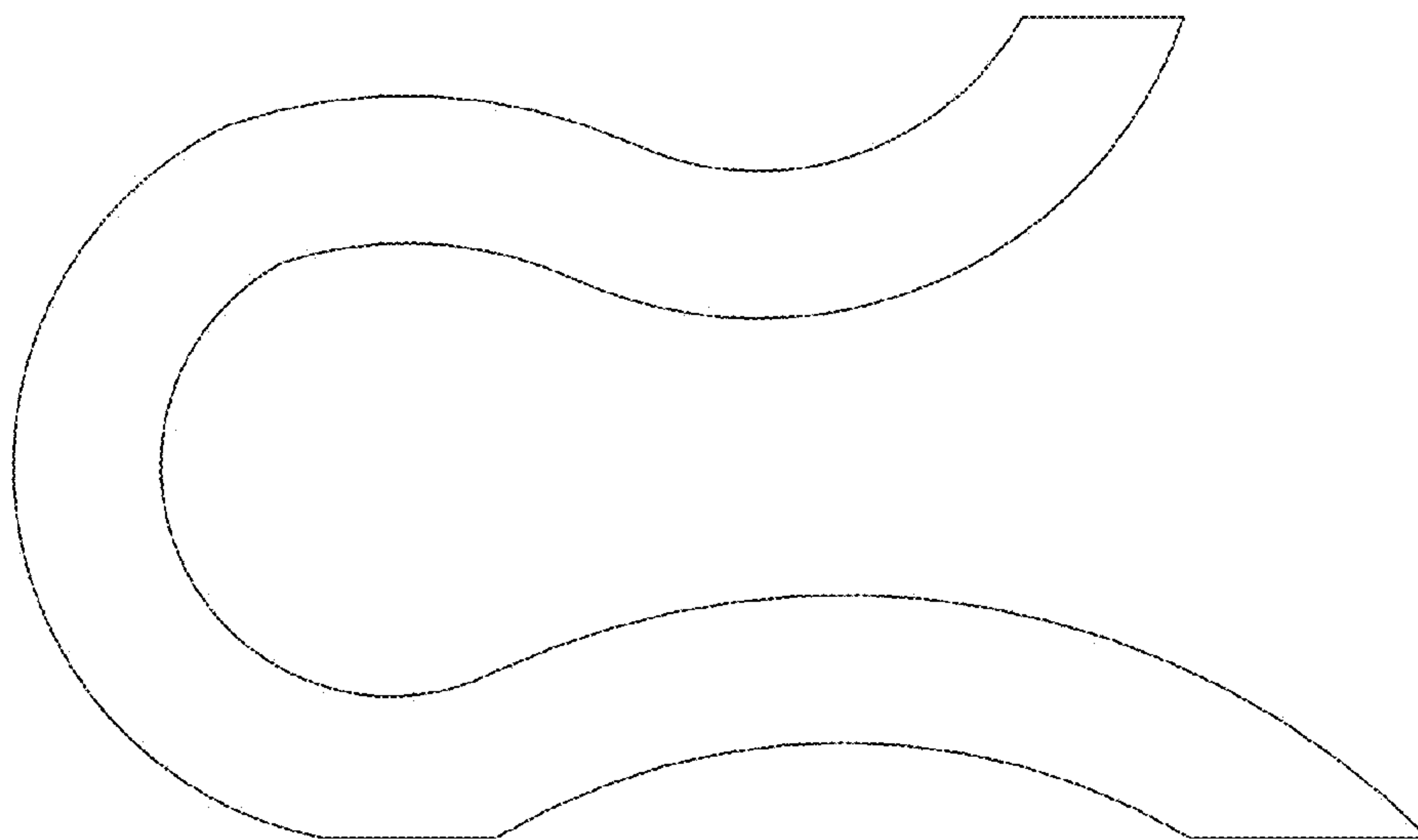


FIG. 7