



US00D723815S

(12) **United States Design Patent**  
**Thuma et al.**

(10) **Patent No.:** **US D723,815 S**  
(45) **Date of Patent:** **\*\* Mar. 10, 2015**

(54) **STORAGE BENCH**

(71) Applicant: **Suncast Technologies, LLC**, Palm Beach Gardens, FL (US)  
(72) Inventors: **Michael Thuma**, La Grange, IL (US); **Torrence Anderson**, Overland Park, KS (US); **Michael R. Vogler**, Oswego, IL (US)

(73) Assignee: **Suncast Technologies, LLC**, Palm Beach Gardens, FL (US)

(\*\*) Term: **14 Years**

(21) Appl. No.: **29/494,971**

(22) Filed: **Jun. 25, 2014**

(51) **LOC (10) Cl.** ..... **06-01**

(52) **U.S. Cl.**  
USPC ..... **D6/336**

(58) **Field of Classification Search**  
CPC ..... A47C 17/00; A47C 17/02; A47C 17/12; A47C 17/18; A47C 7/021; A47C 31/00; A47C 3/16  
USPC ..... D6/334, 335, 336, 379, 381, 369, 349; 297/94, 118, 232, 445.1, 448.1, DIG. 7  
See application file for complete search history.

(56) **References Cited**

U.S. PATENT DOCUMENTS

986,686	A	*	3/1911	Carney	.....	297/123
D354,173	S	*	1/1995	Escobal et al.	.....	D6/335
D427,788	S	*	7/2000	Paul	.....	D6/336
D509,075	S	*	9/2005	Katz et al.	.....	D6/336
D597,336	S	*	8/2009	Anderson et al.	.....	D6/381

\* cited by examiner

*Primary Examiner* — Sandra Snapp

(74) *Attorney, Agent, or Firm* — McHale & Slavin, P.A.

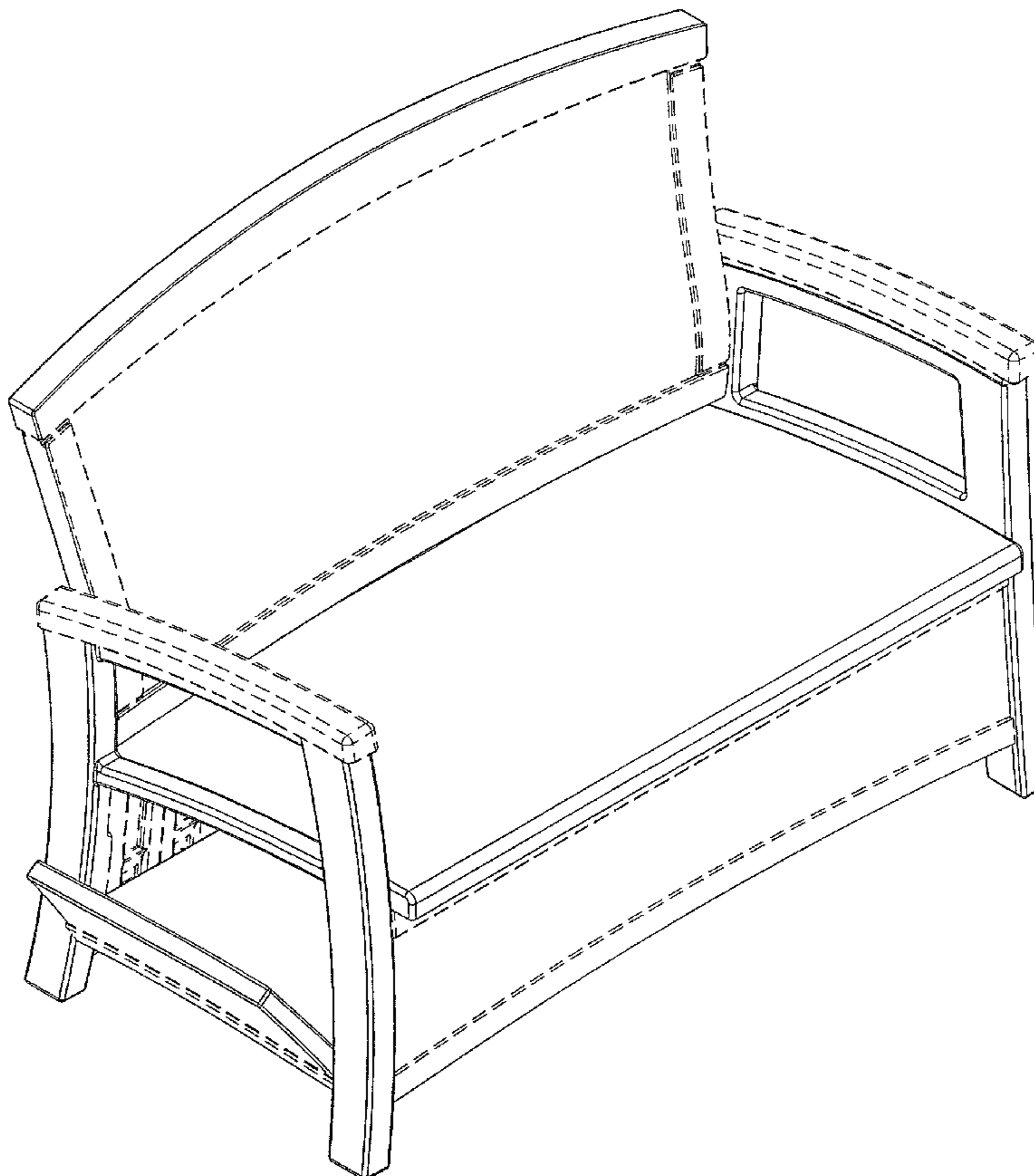
(57) **CLAIM**

The ornamental design for a storage bench, as shown and described.

**DESCRIPTION**

FIG. 1 is a top left perspective view of the storage bench of the present invention;  
FIG. 2 is a left side view thereof;  
FIG. 3 is a right side view thereof;  
FIG. 4 is a top view thereof;  
FIG. 5 is a rear view thereof; and,  
FIG. 6 is a top right perspective view thereof.  
The portions of the storage bench illustrated in broken lines form no part of the claimed subject matter.

**1 Claim, 5 Drawing Sheets**



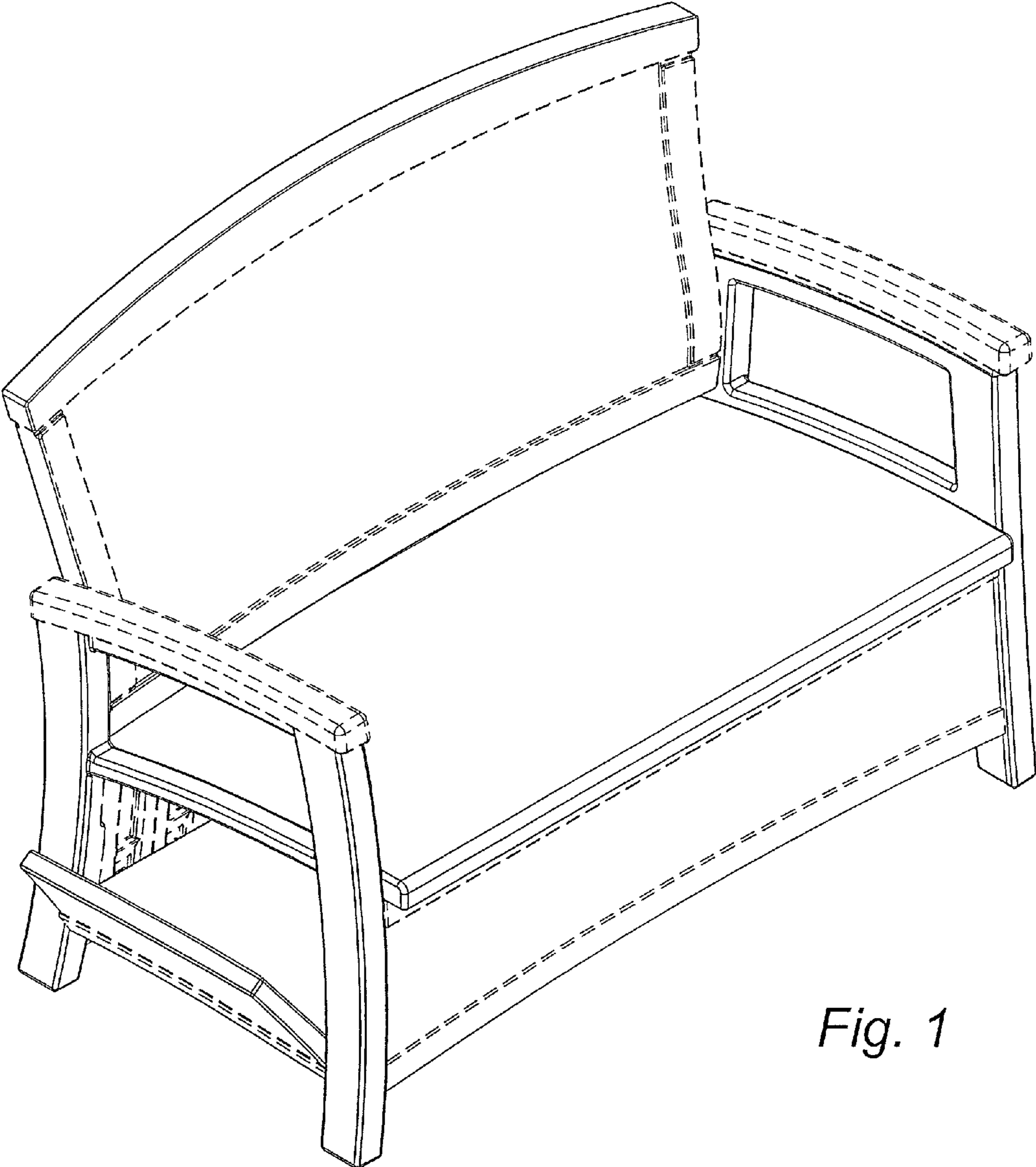


Fig. 1

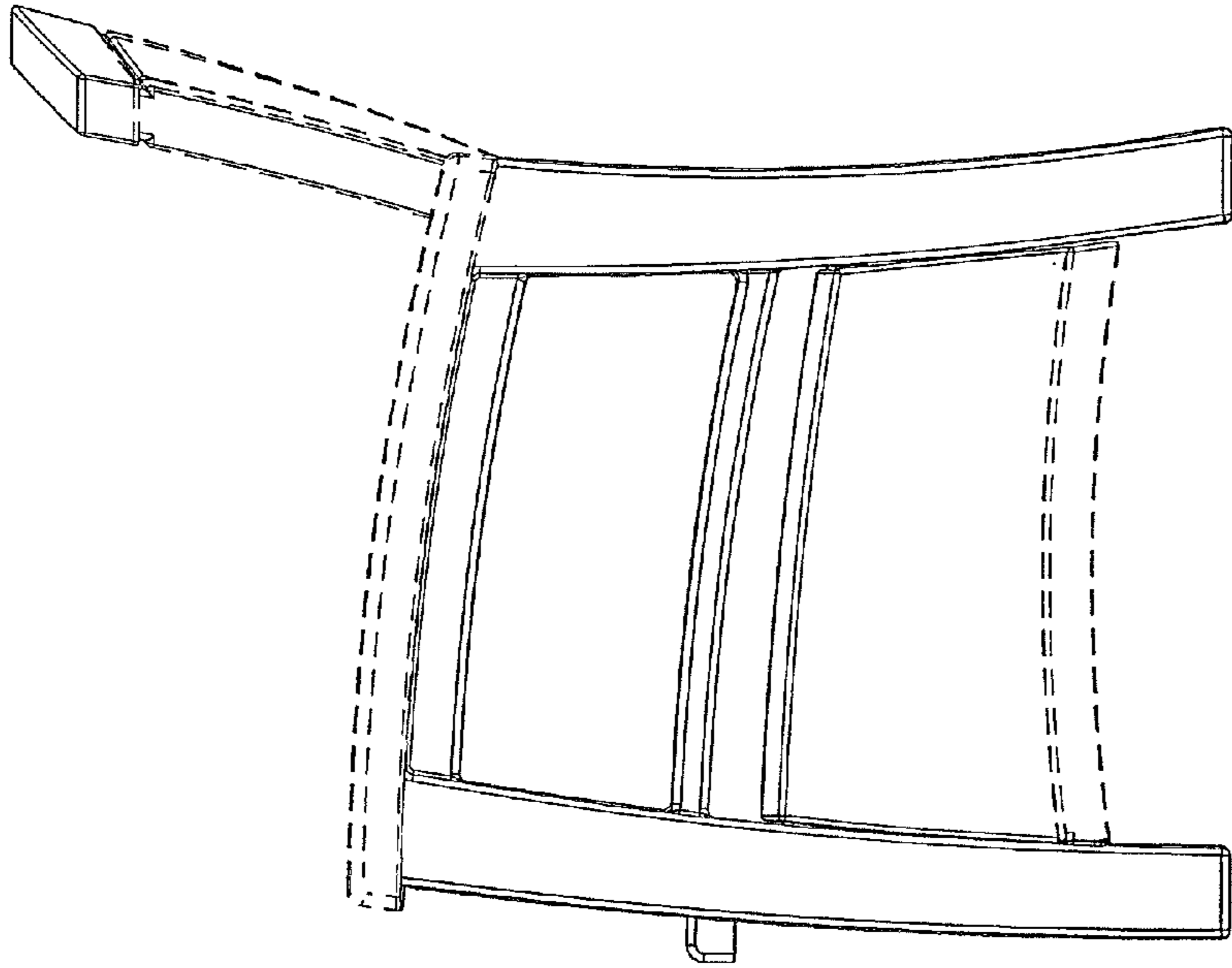


Fig. 3

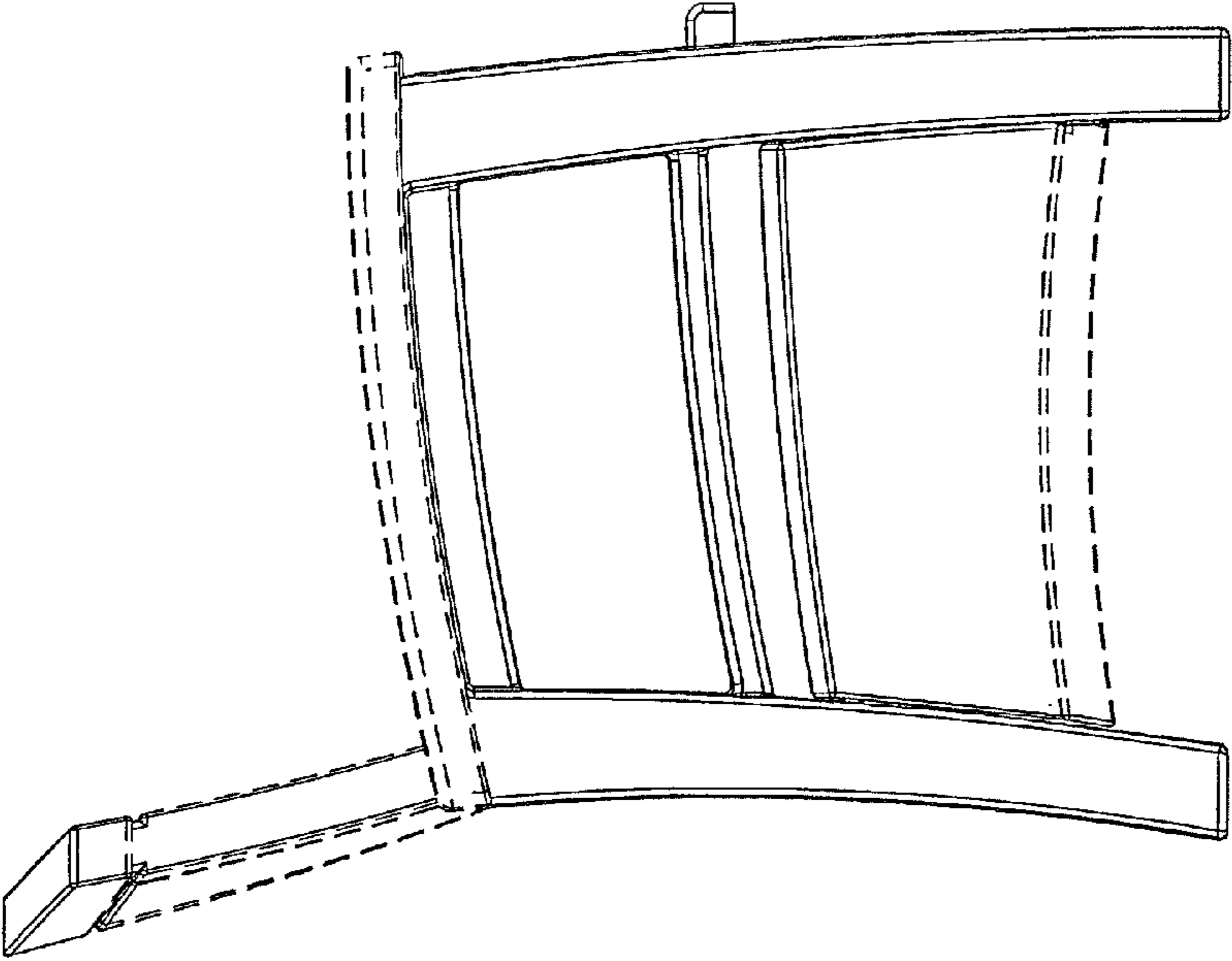


Fig. 2

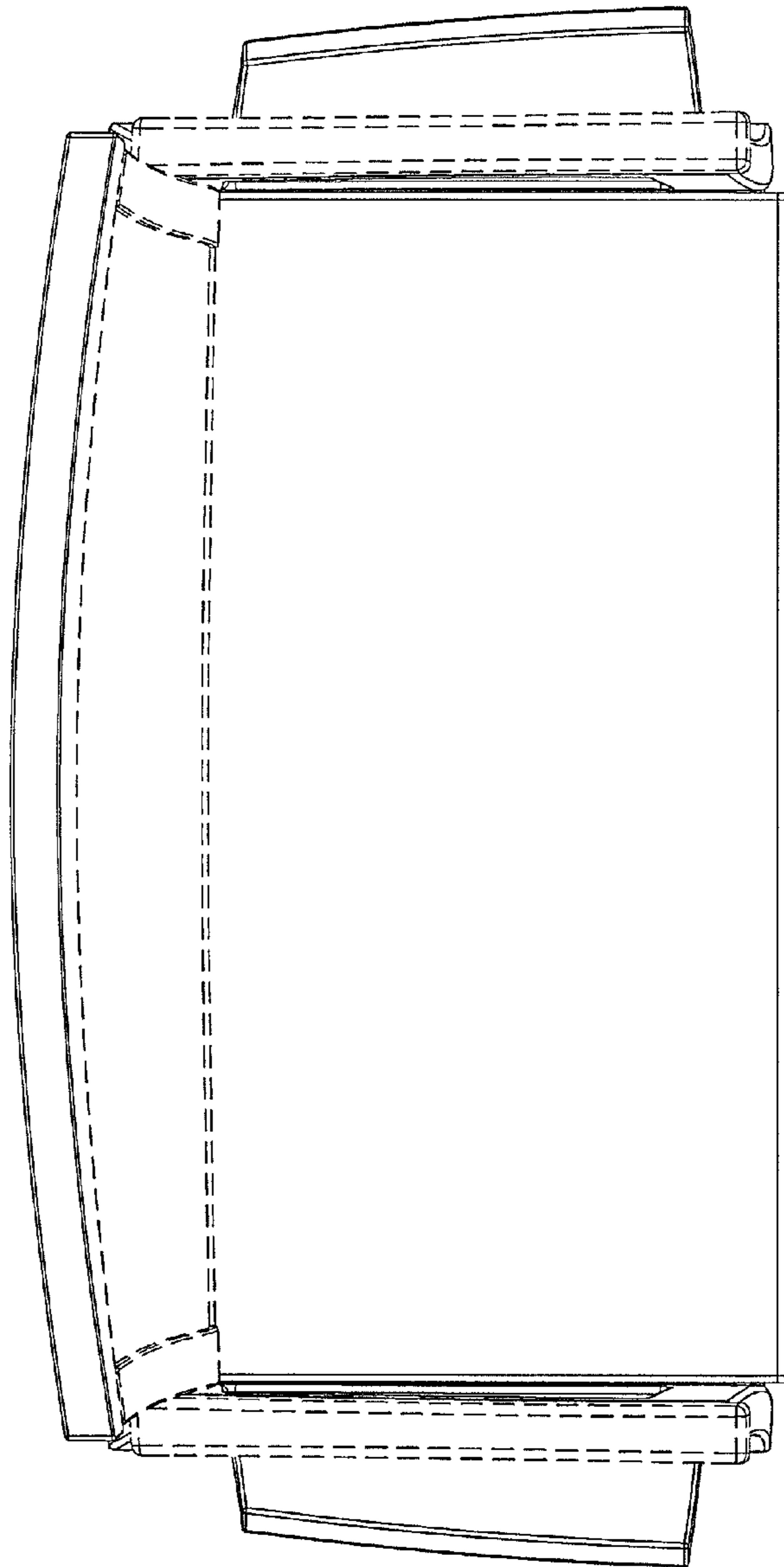


Fig. 4

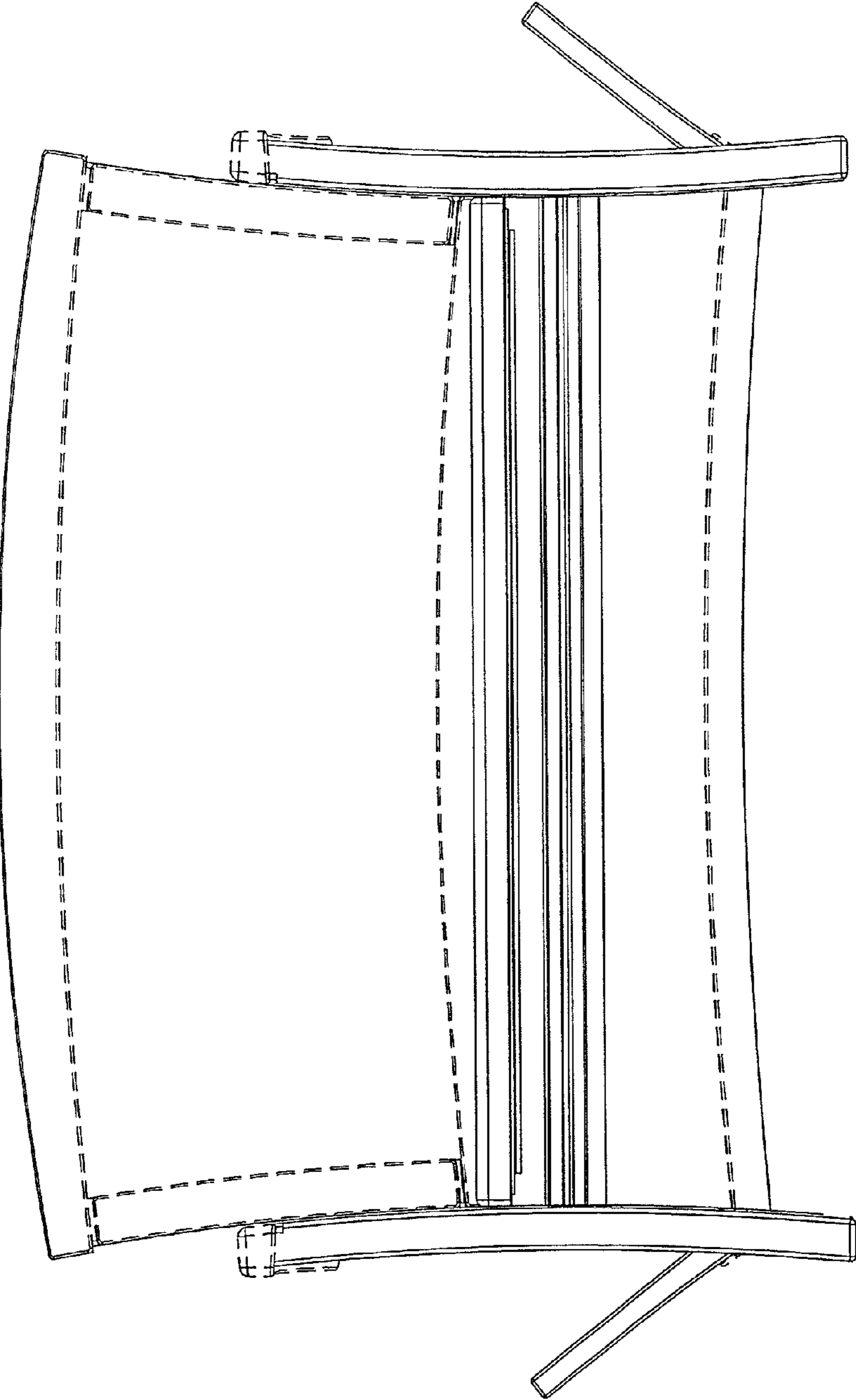
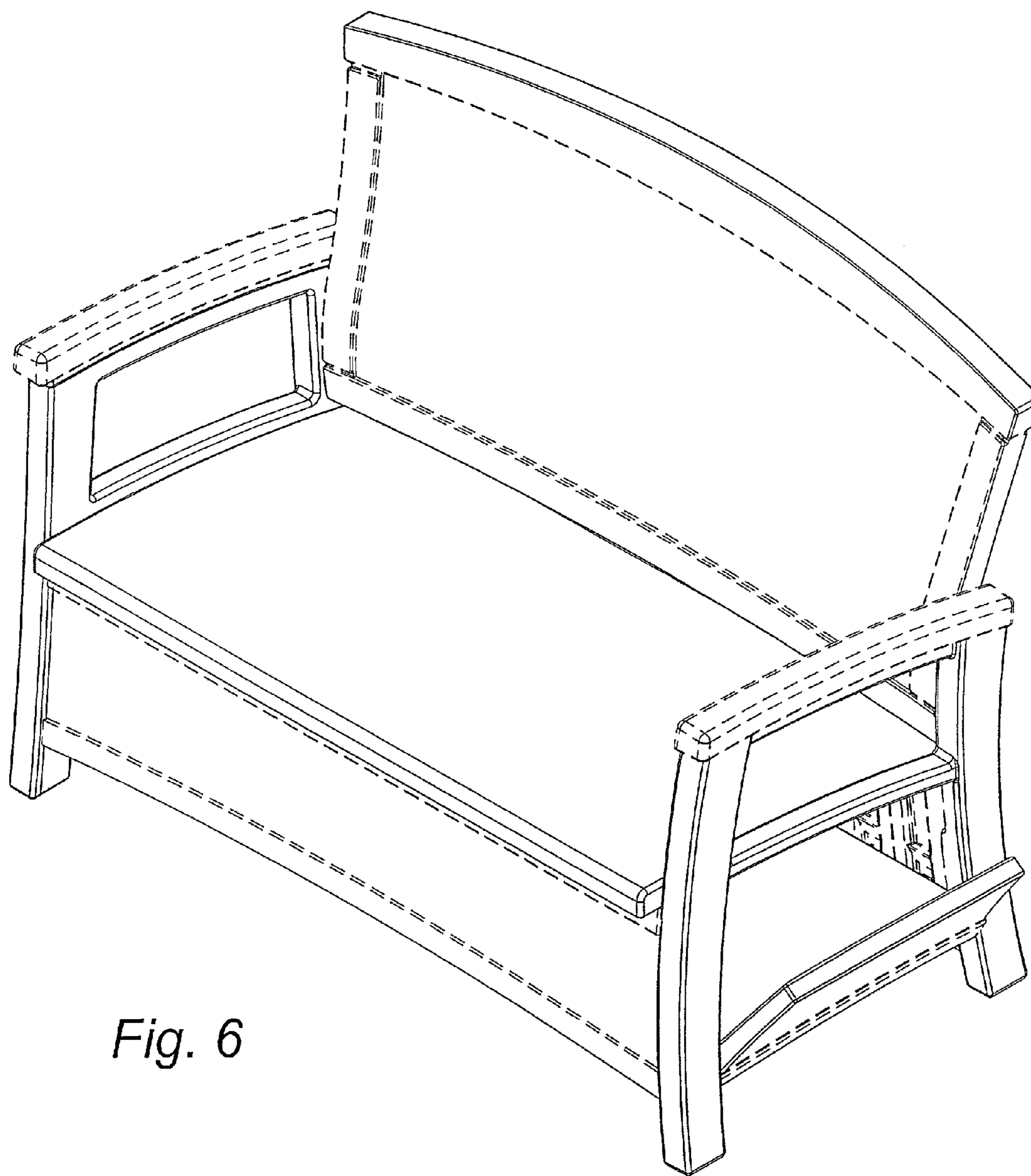


Fig. 5



*Fig. 6*