



US00D723813S

(12) **United States Design Patent**  
**Weyts**

(10) **Patent No.:** **US D723,813 S**  
(45) **Date of Patent:** **\*\* Mar. 10, 2015**

- (54) **ARMCHAIR**
- (71) Applicant: **Alexander M. Weyts**, Brugge (BE)
- (72) Inventor: **Alexander M. Weyts**, Brugge (BE)
- (\*\*) Term: **14 Years**
- (21) Appl. No.: **29/498,152**
- (22) Filed: **Jul. 31, 2014**
- (51) **LOC (10) Cl.** ..... **06-01**
- (52) **U.S. Cl.**  
USPC ..... **D6/334**
- (58) **Field of Classification Search**  
CPC ..... A47C 17/00; A47C 17/02; A47C 17/12;  
A47C 17/18; A47C 7/021; A47C 31/00;  
A47C 3/16  
USPC ..... D6/334, 335, 336, 379, 381, 369;  
297/94, 118, 232, 445.1, 448.1, DIG. 7  
See application file for complete search history.

D434,233 S *	11/2000	Frankel et al.	.....	D6/334
D508,786 S *	8/2005	Natuzzi	.....	D6/364
D532,617 S *	11/2006	Frinier	.....	D6/334
D587,473 S *	3/2009	Thompson	.....	D6/334
D596,414 S *	7/2009	Natuzzi	.....	D6/334
D614,881 S *	5/2010	D'Urso	.....	D6/364
D668,462 S *	10/2012	Sofield	.....	D6/334
D676,252 S	2/2013	Mendini		
D677,475 S	3/2013	Bellini		
D677,486 S *	3/2013	Cramer et al.	.....	D6/381
D689,290 S	9/2013	Chen		

**OTHER PUBLICATIONS**

U.S. Appl. No. 29/498,146, Alexander M. Weyts, Jul. 31, 2014.  
U.S. Appl. No. 29/498,148, Alexander M. Weyts, Jul. 31, 2014.  
U.S. Appl. No. 29/498,150, Alexander M. Weyts, Jul. 31, 2014.

\* cited by examiner

*Primary Examiner* — Sandra Snapp  
(74) *Attorney, Agent, or Firm* — Cooper & Dunham LLP

(57) **CLAIM**

I claim the ornamental design for armchair, as shown and described.

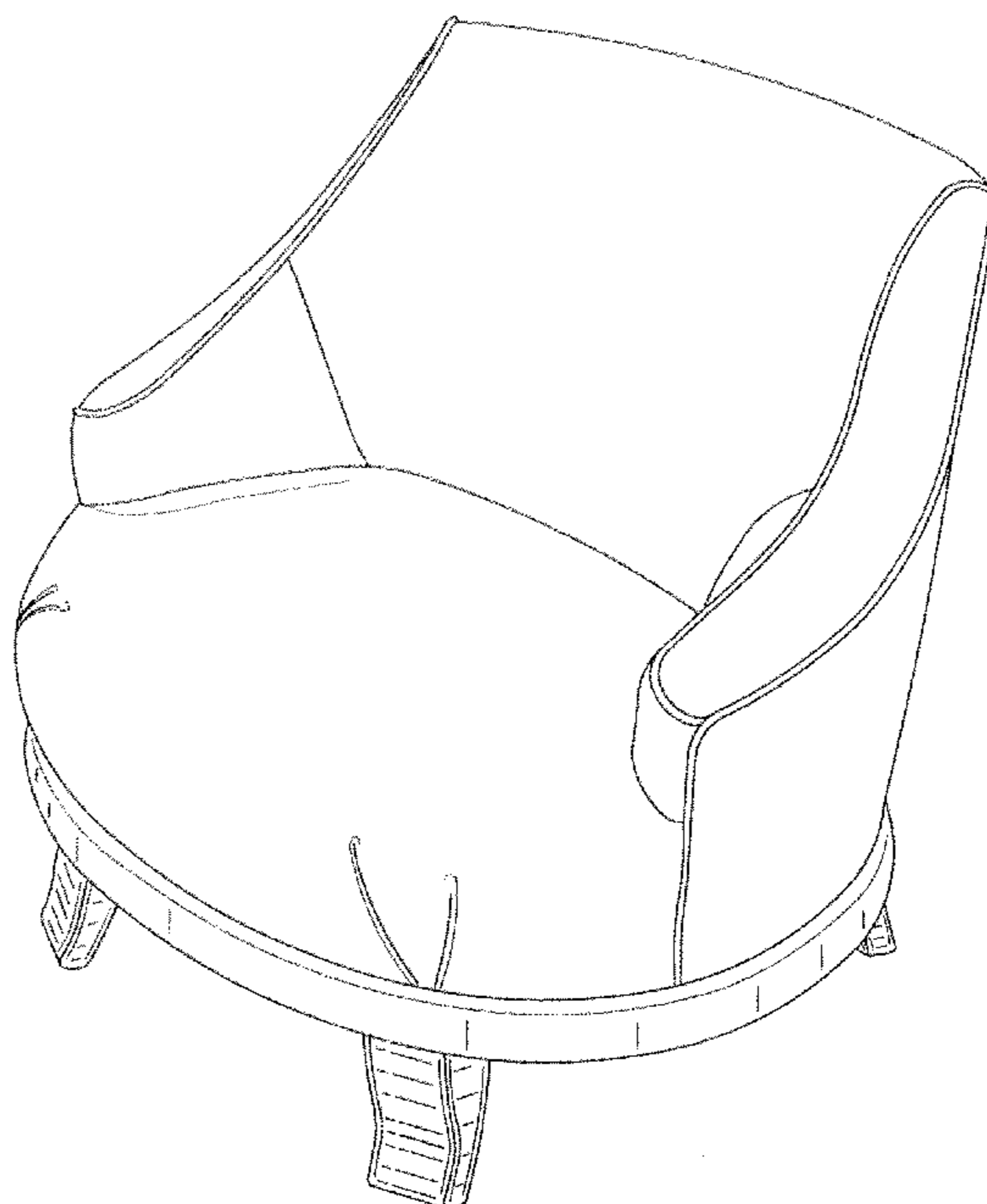
**DESCRIPTION**

FIG. 1 is a front view of the armchair of the claimed design;  
FIG. 2 is a right perspective view thereof;  
FIG. 3 is a left side view thereof;  
FIG. 4 is a back view thereof;  
FIG. 5 is a top view thereof; and,  
FIG. 6 is a bottom view thereof.

**1 Claim, 6 Drawing Sheets**

(56) **References Cited**  
U.S. PATENT DOCUMENTS

D233,286 S *	10/1974	Fisher	.....	D6/334
D327,583 S *	7/1992	Dettinger	.....	D6/334
D335,779 S *	5/1993	Newhouse	.....	D6/381
D336,165 S *	6/1993	Tihany	.....	D6/334
D337,450 S *	7/1993	Dettinger	.....	D6/381
D352,615 S *	11/1994	Hutton	.....	D6/334
D383,006 S *	9/1997	Hutton	.....	D6/334
D395,958 S *	7/1998	Hutton	.....	D6/334
D431,117 S *	9/2000	Hutton	.....	D6/334



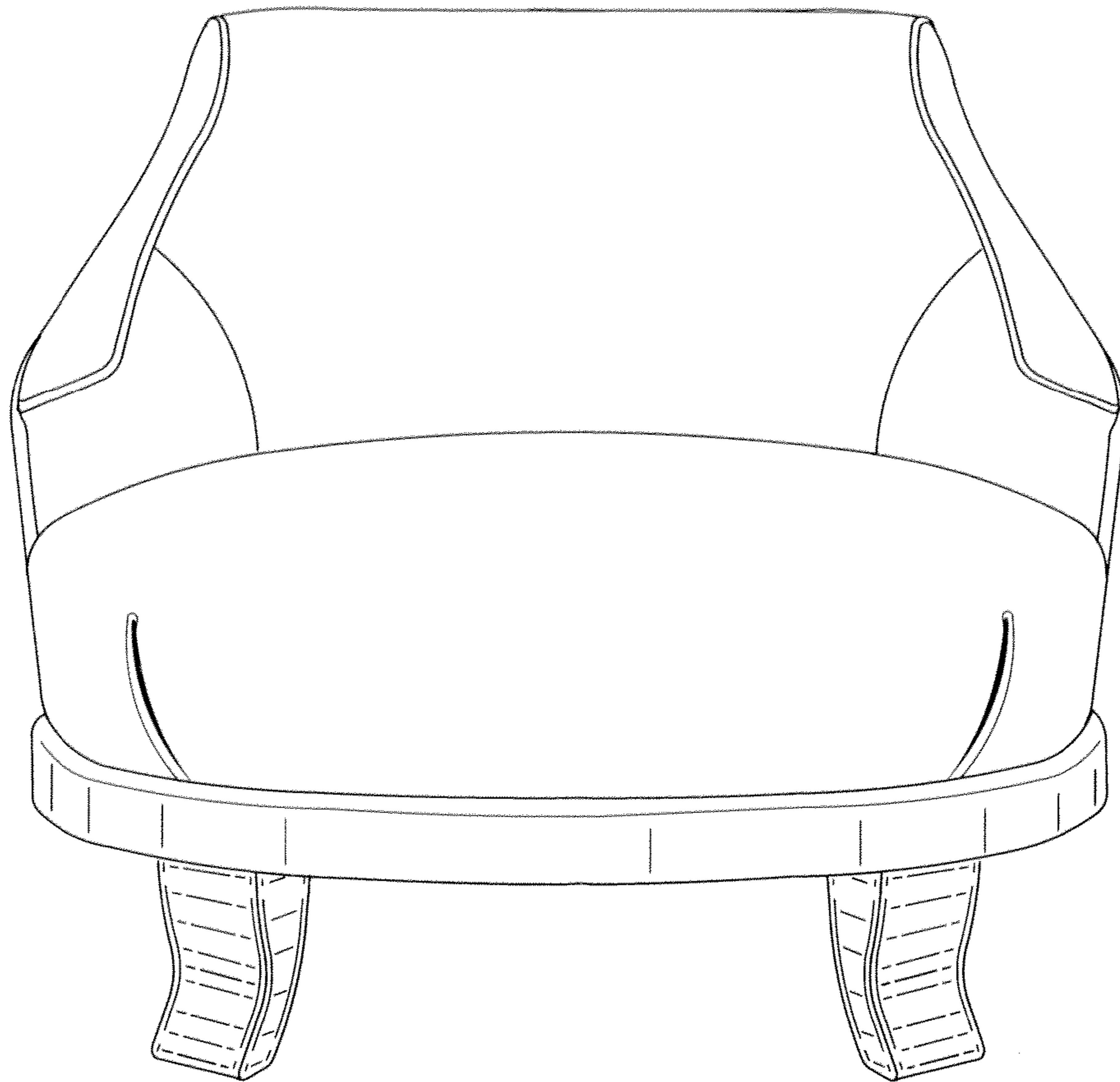


FIG. 1

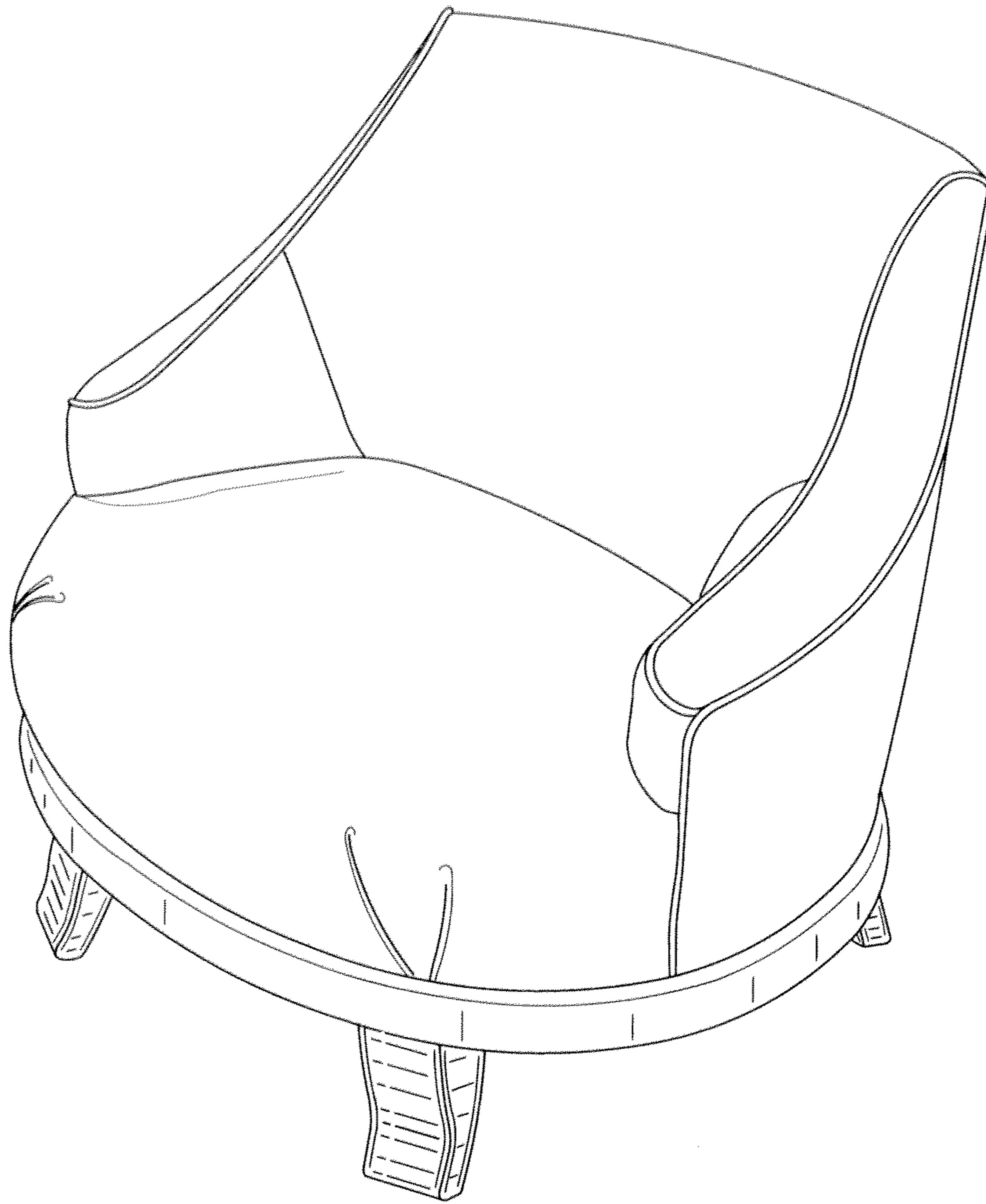


FIG. 2

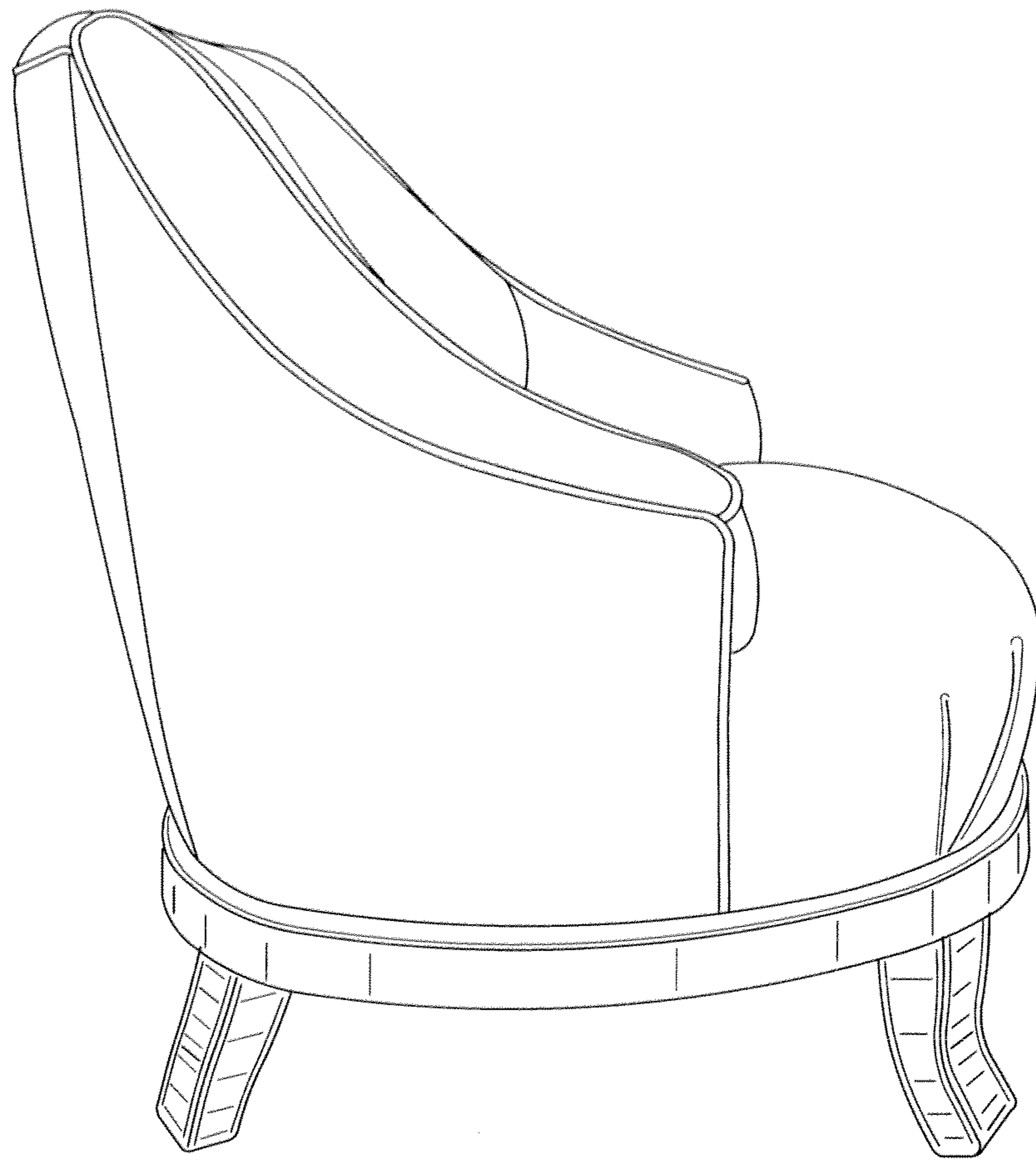


FIG. 3

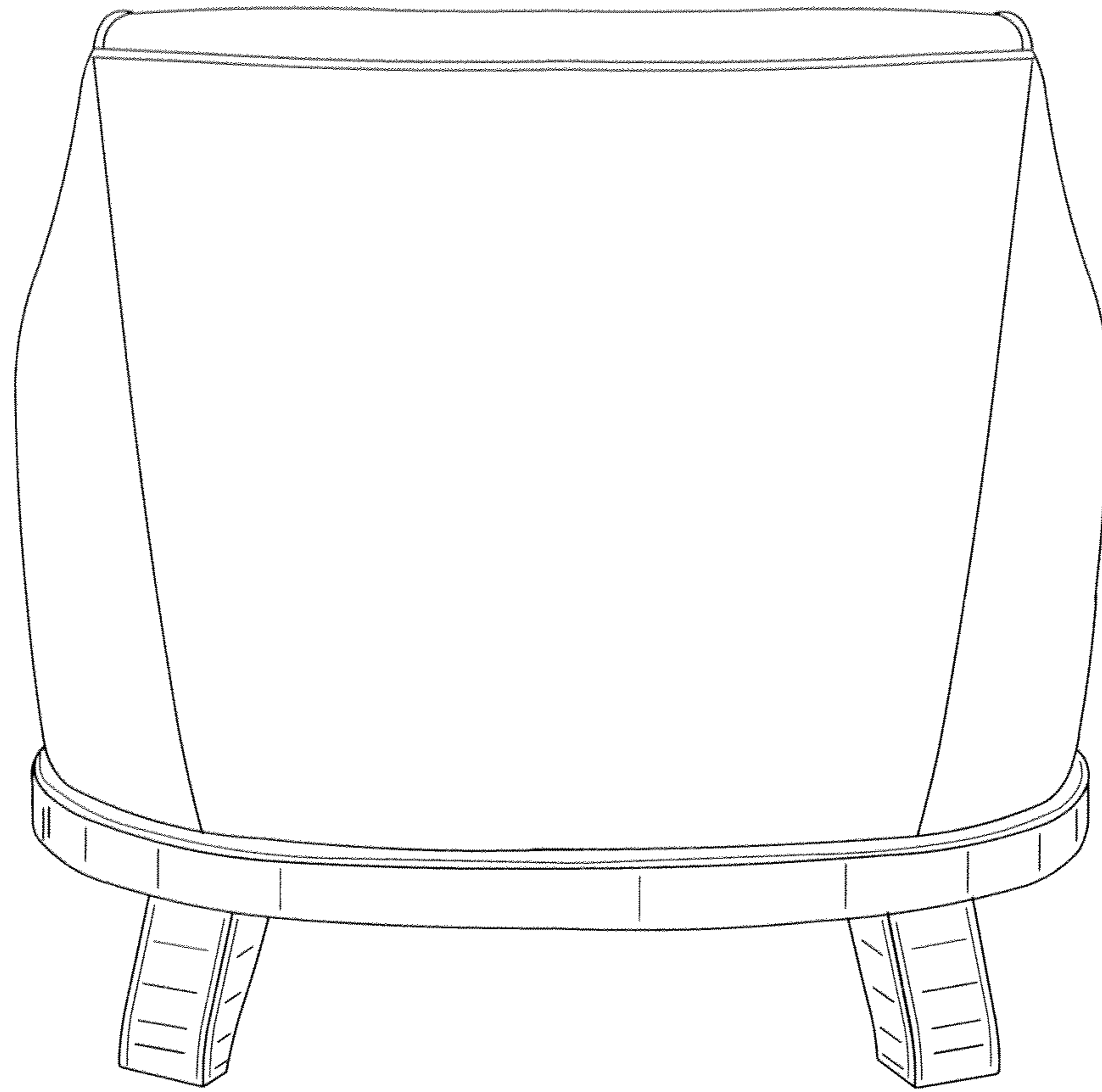


FIG. 4

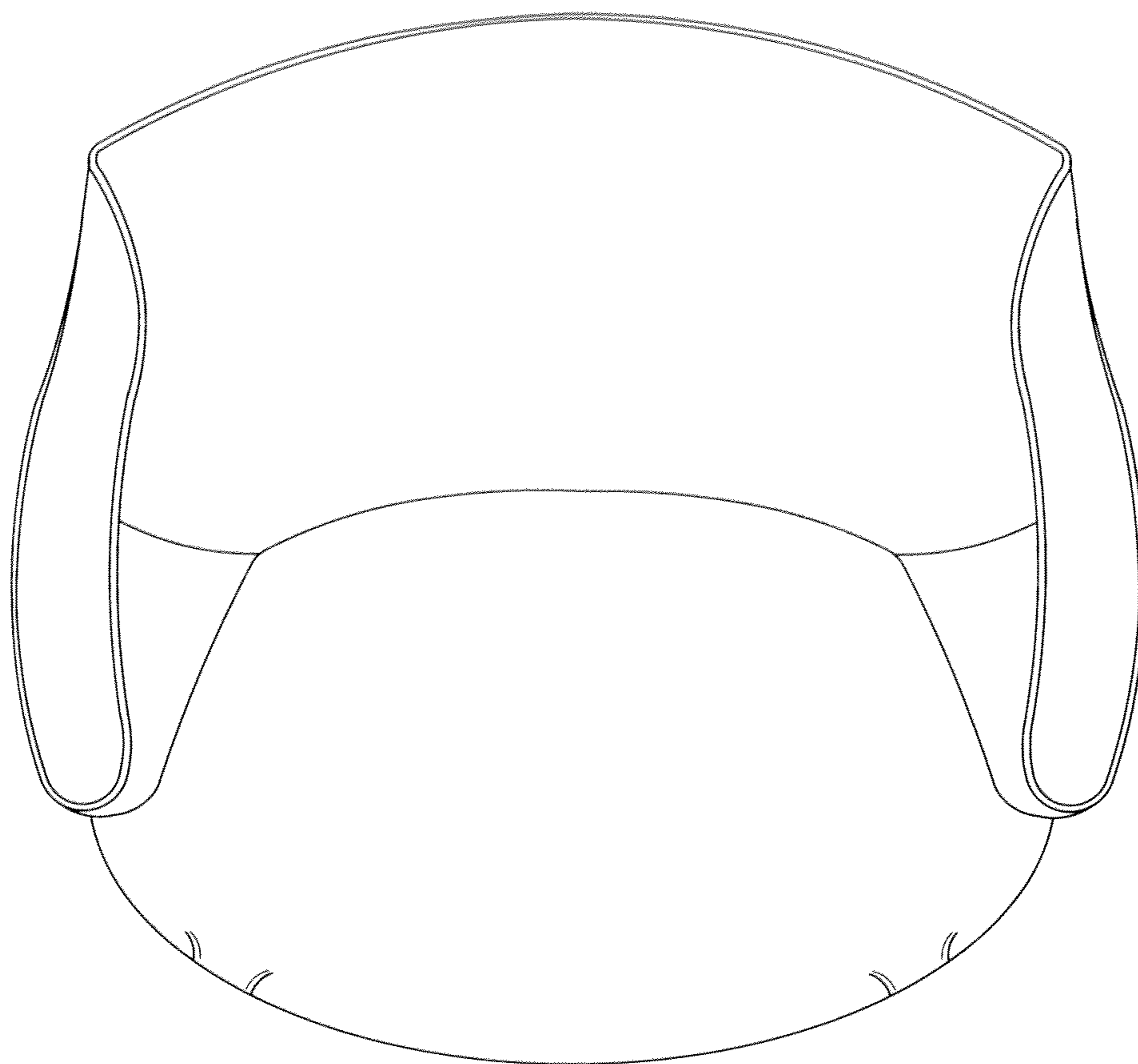


FIG. 5

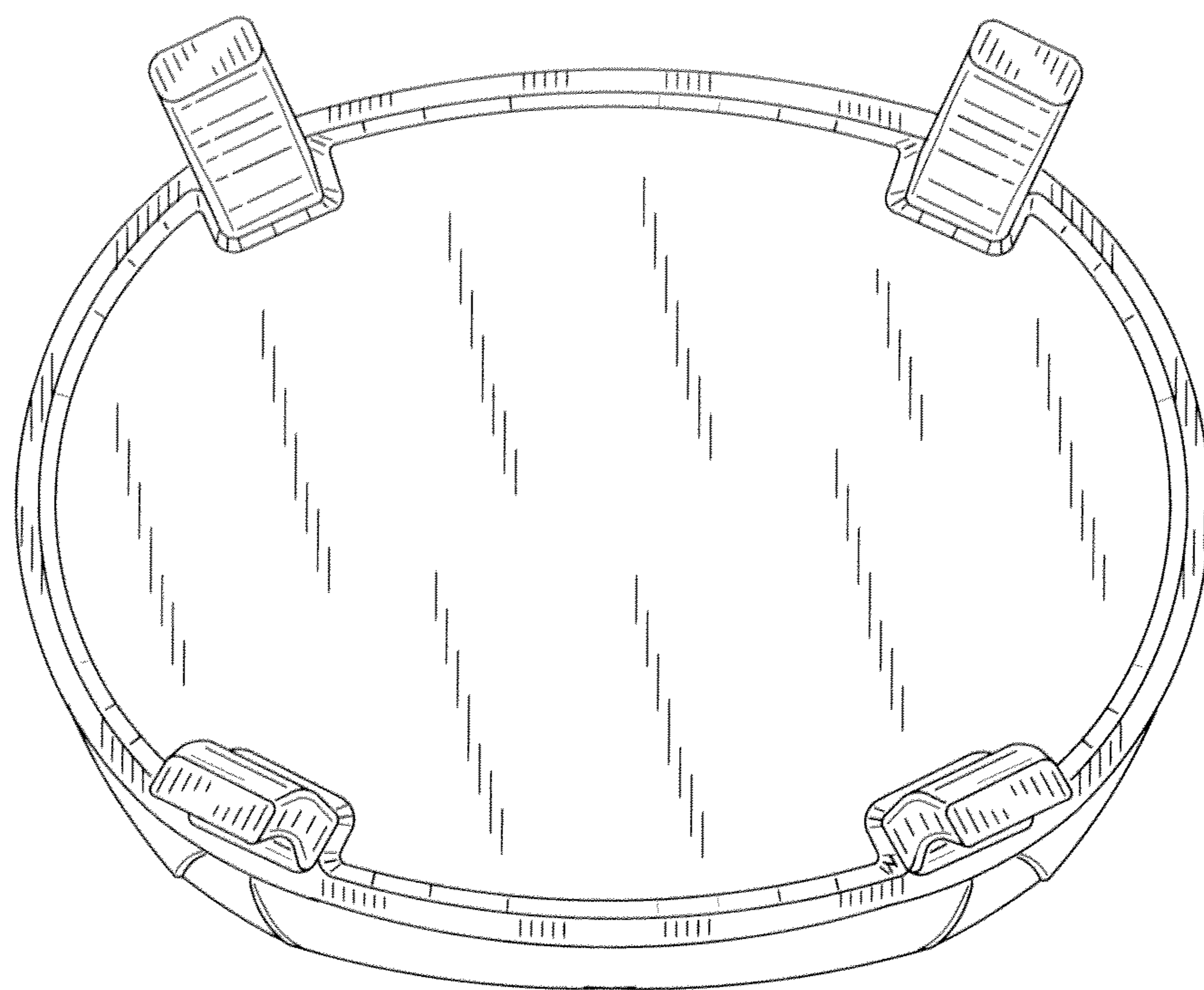


FIG. 6