



US00D723812S

(12) **United States Design Patent**
Weyts

(10) **Patent No.:** **US D723,812 S**
(45) **Date of Patent:** **** Mar. 10, 2015**

- (54) **ARMCHAIR**
- (71) Applicant: **Alexander M. Weyts**, Bruges (BE)
- (72) Inventor: **Alexander M. Weyts**, Bruges (BE)
- (**) Term: **14 Years**
- (21) Appl. No.: **29/498,150**
- (22) Filed: **Jul. 31, 2014**
- (51) **LOC (10) Cl.** **06-01**
- (52) **U.S. Cl.**
USPC **D6/334**
- (58) **Field of Classification Search**
CPC A47C 17/00; A47C 17/02; A47C 17/12;
A47C 17/18; A47C 7/021; A47C 31/00;
A47C 3/16
USPC D6/334, 335, 336, 379, 381, 369;
297/94, 118, 232, 445.1, 448.1, DIG. 7
See application file for complete search history.

D587,473 S *	3/2009	Thompson	D6/334
D596,414 S *	7/2009	Natuzzi	D6/334
D614,881 S *	5/2010	D'Urso	D6/364
D643,224 S *	8/2011	Sofield	D6/334
D668,462 S *	10/2012	Sofield	D6/334
D676,252 S	2/2013	Mendini		
D677,475 S	3/2013	Bellini		
D689,290 S	9/2013	Chen		

OTHER PUBLICATIONS

- U.S. Appl. No. 29/498,146, Alexander M. Weyts, Jul. 31, 2014.
- U.S. Appl. No. 29/498,148, Alexander M. Weyts, Jul. 31, 2014.
- U.S. Appl. No. 29/498,152, Alexander M. Weyts, Jul. 31, 2014.

* cited by examiner

Primary Examiner — Sandra Snapp
(74) *Attorney, Agent, or Firm* — Cooper & Dunham LLP

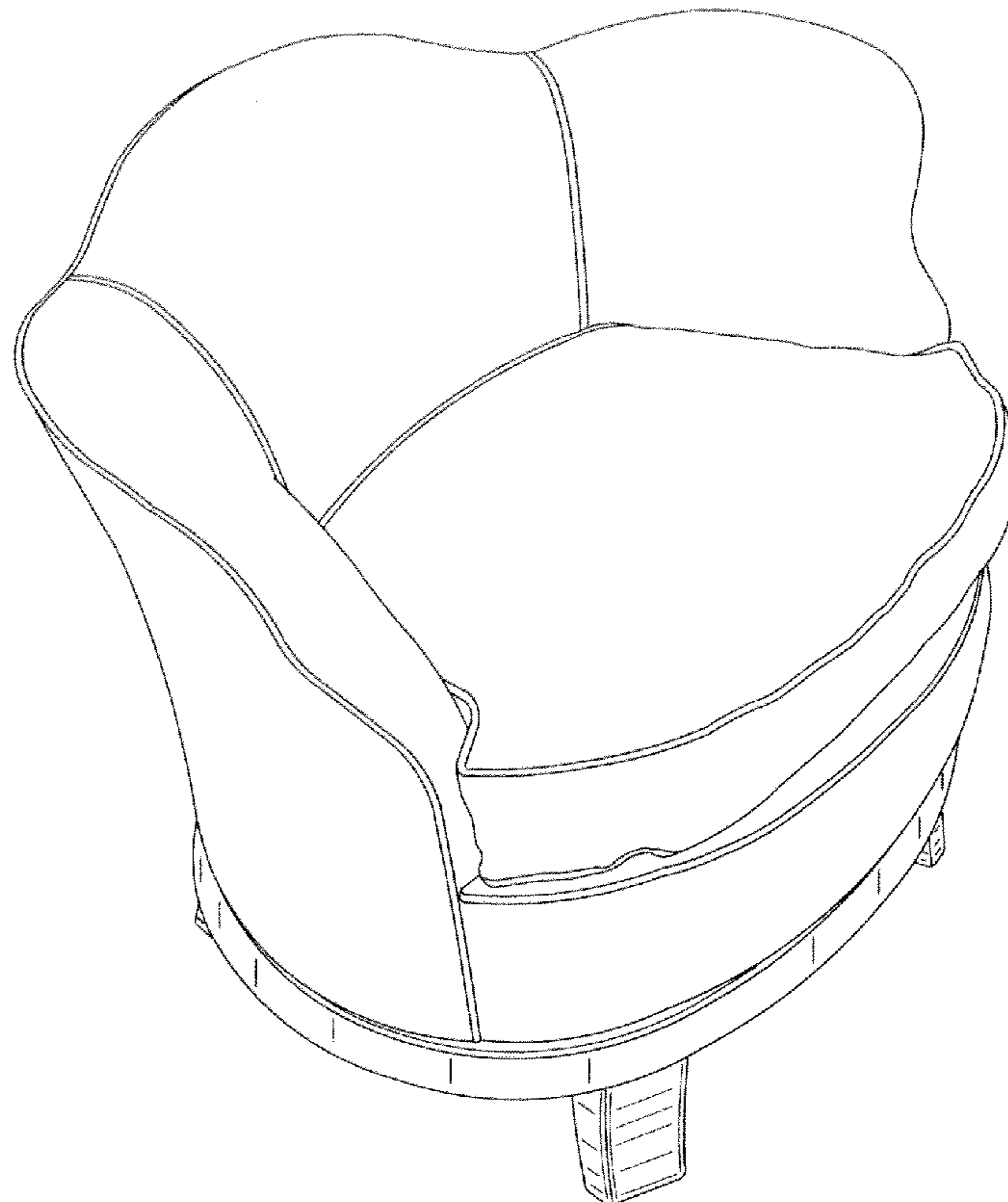
(57) **CLAIM**
I claim the ornamental design for armchair, as shown and described.

DESCRIPTION

FIG. 1 is a front view of the armchair of the claimed design;
FIG. 2 is a left perspective view thereof;
FIG. 3 is a right side view thereof;
FIG. 4 is a back view thereof;
FIG. 5 is a top view thereof; and,
FIG. 6 is a bottom view thereof.

1 Claim, 6 Drawing Sheets

- (56) **References Cited**
U.S. PATENT DOCUMENTS
D233,286 S * 10/1974 Fisher D6/334
D336,165 S * 6/1993 Tihany D6/334
D337,450 S * 7/1993 Dettinger D6/381
D395,958 S * 7/1998 Hutton D6/334
D532,617 S * 11/2006 Frinier D6/334



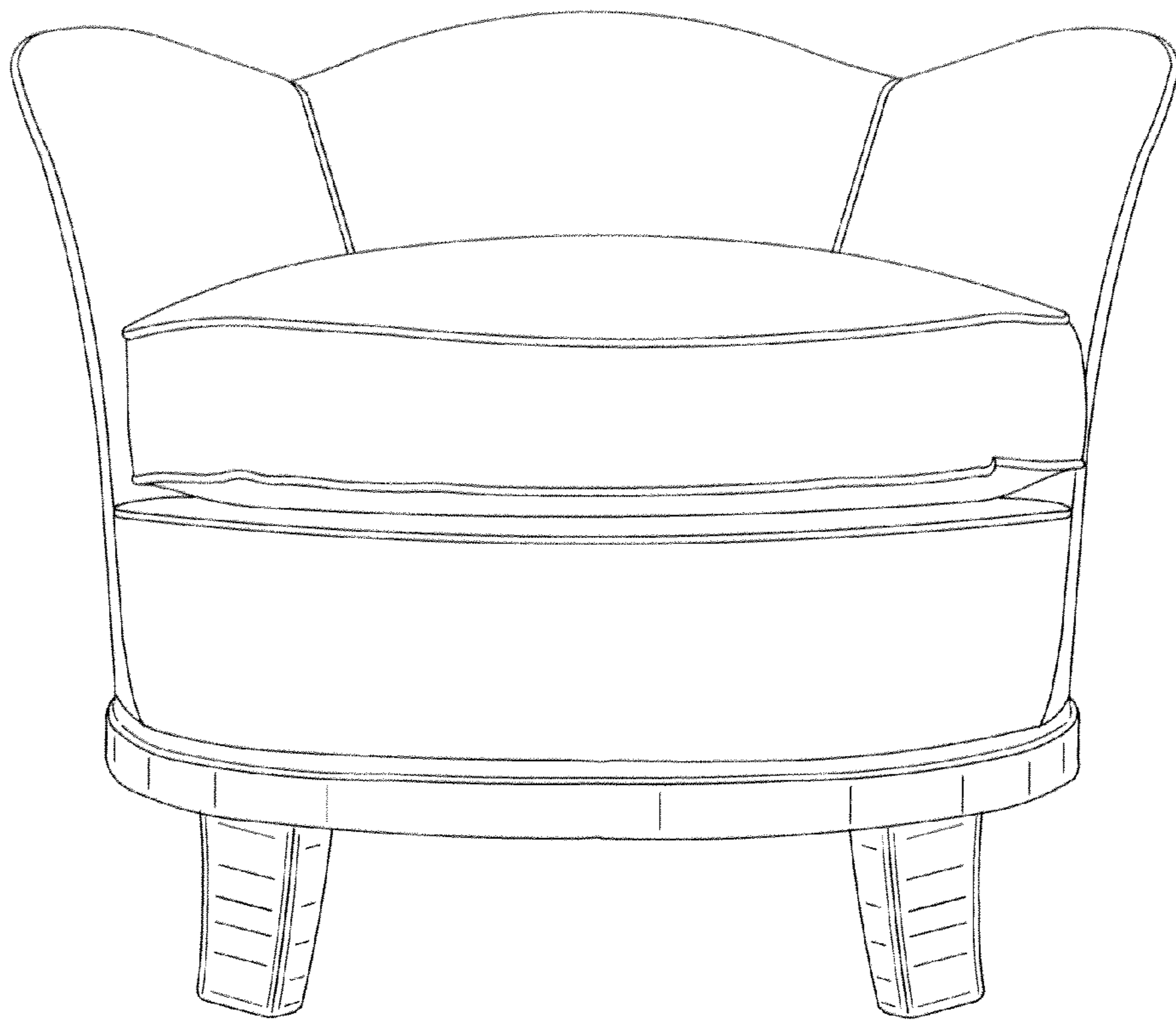


FIG. 1

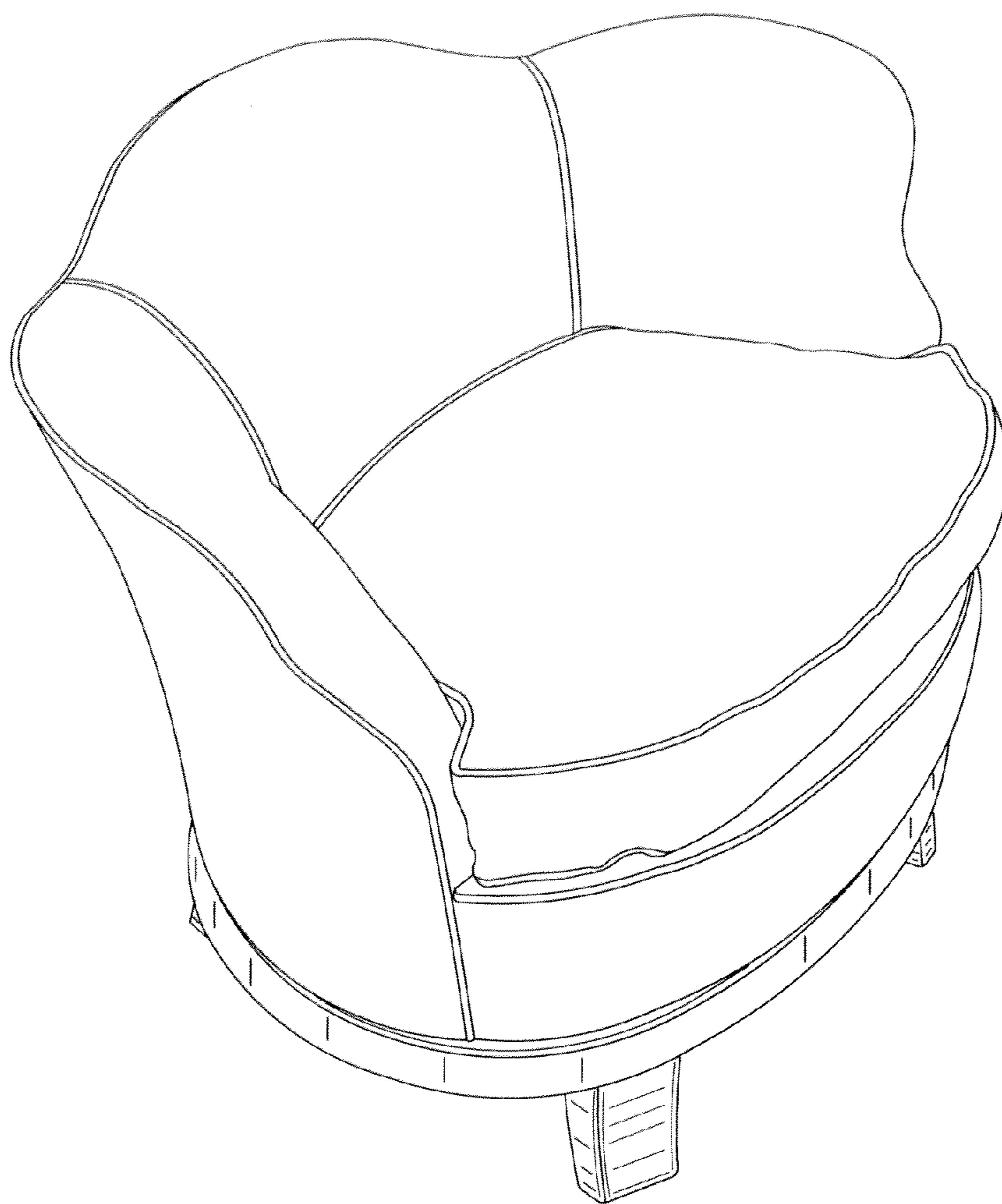


FIG. 2

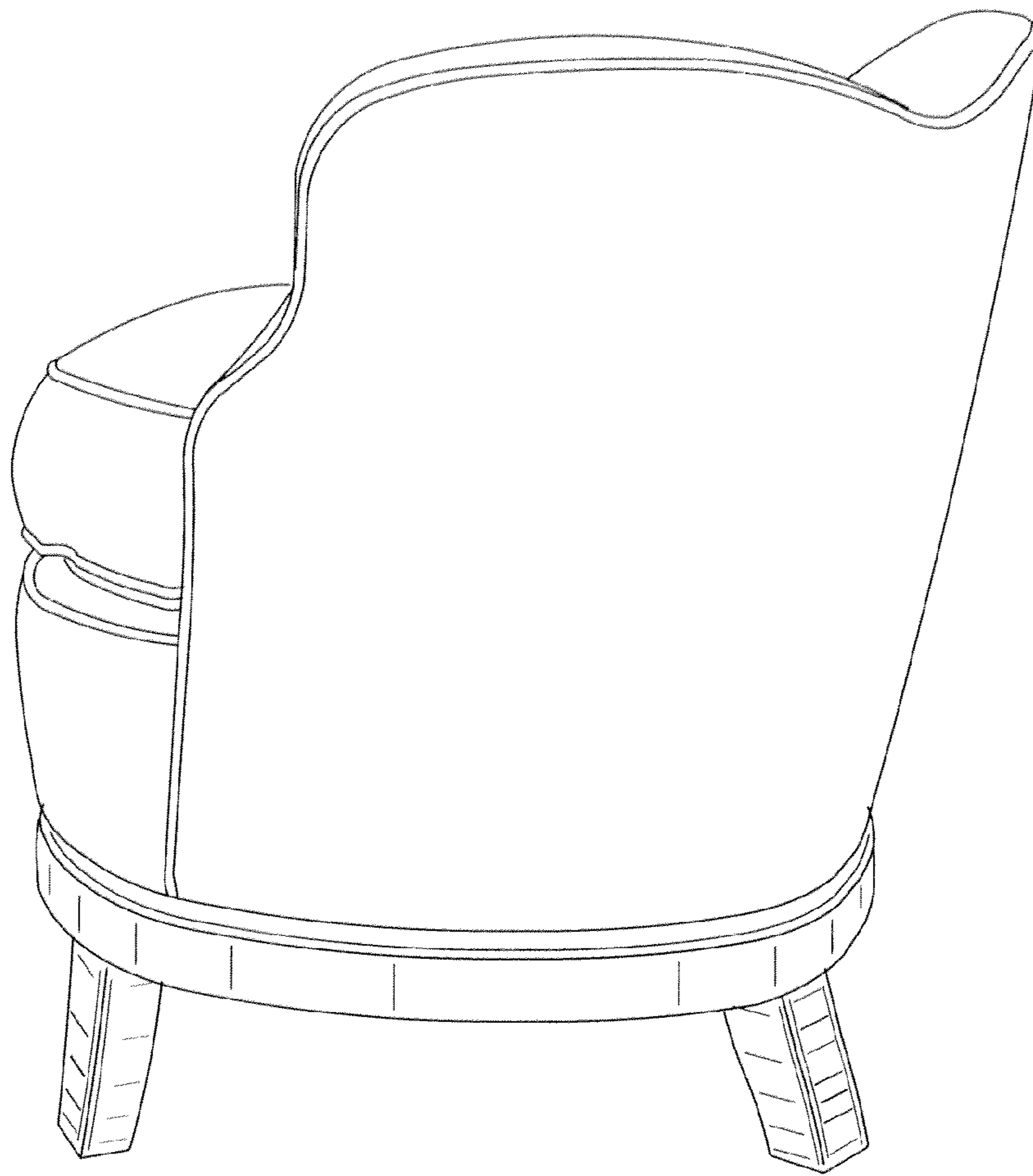


FIG. 3

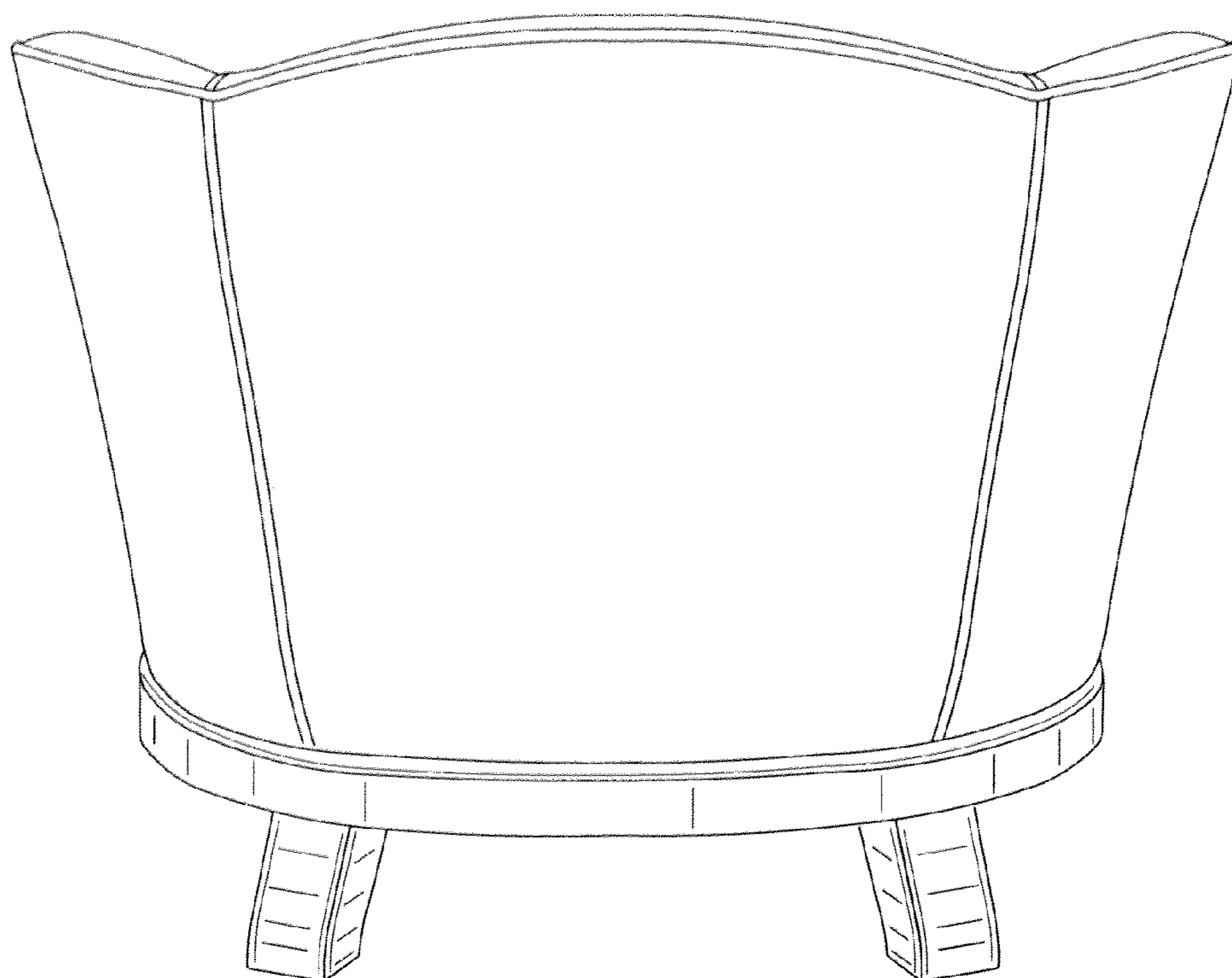


FIG. 4

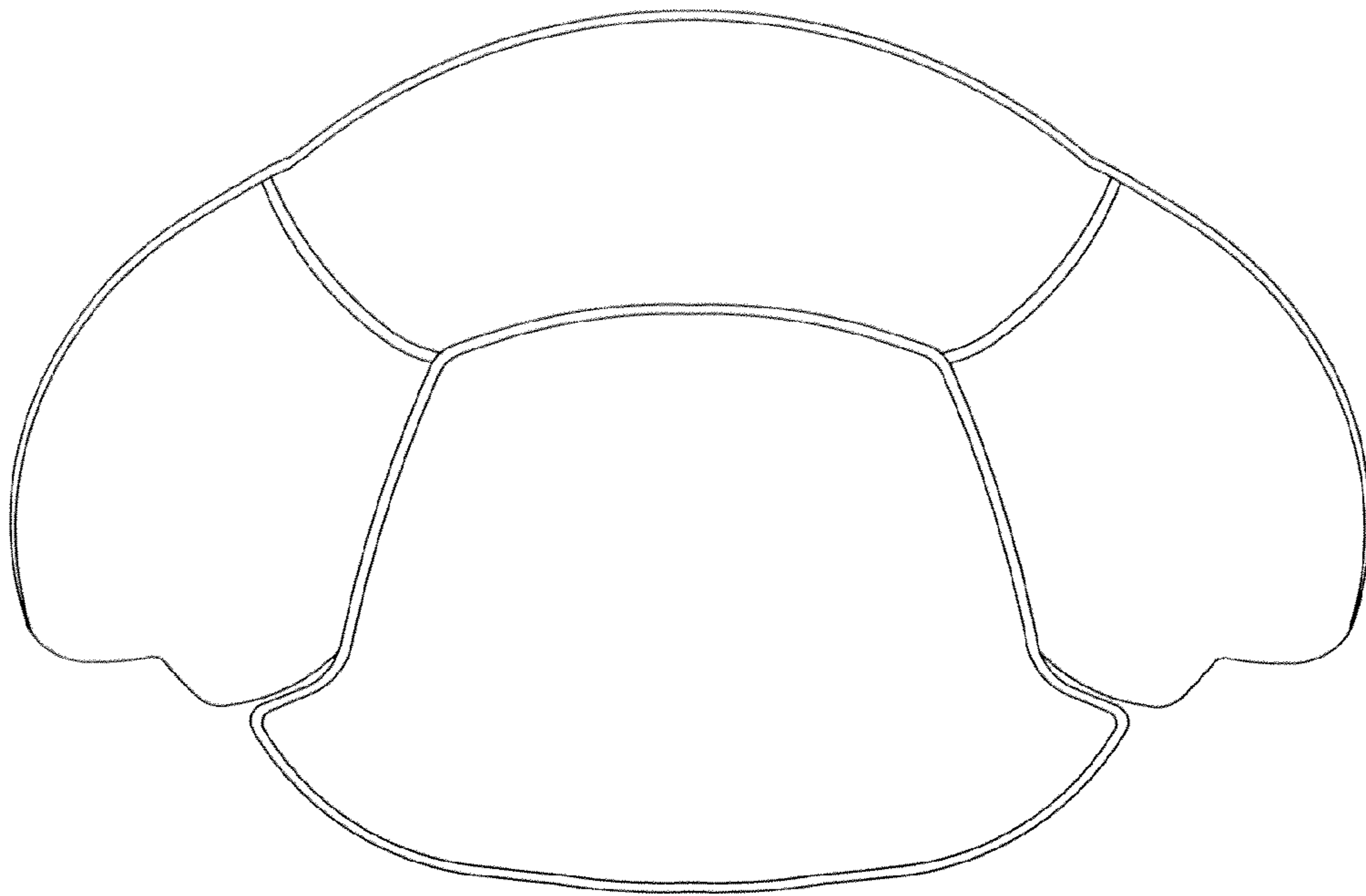


FIG. 5

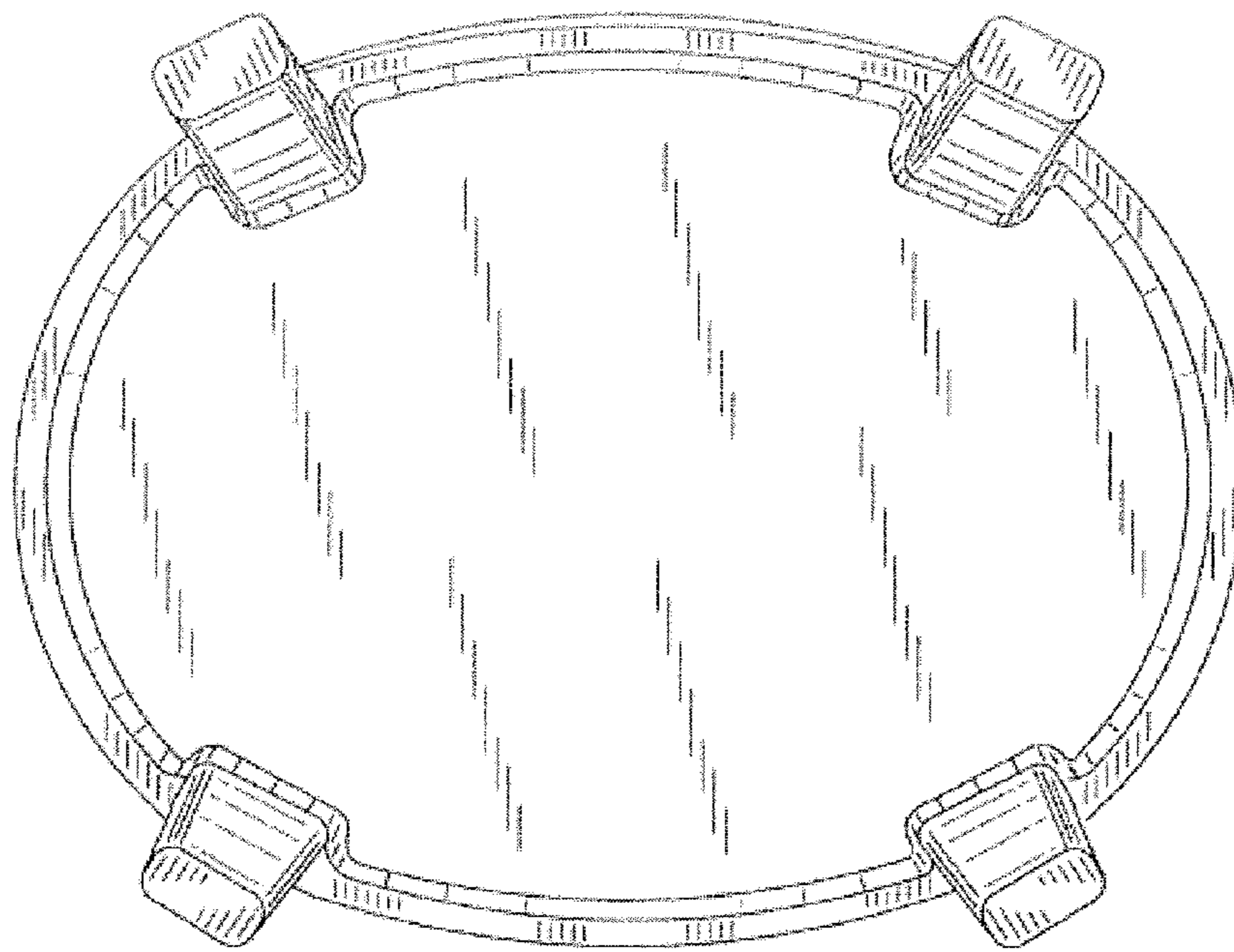


FIG. 6