



US00D723806S

(12) **United States Design Patent**
Salmon

(10) **Patent No.:** **US D723,806 S**
(45) **Date of Patent:** **** Mar. 10, 2015**

(54) **LUGGAGE**

(71) Applicant: **Sonja Salmon**, Mississauga (CA)

(72) Inventor: **Sonja Salmon**, Mississauga (CA)

(**) Term: **14 Years**

(21) Appl. No.: **29/443,660**

(22) Filed: **Jan. 21, 2013**

(51) **LOC (10) Cl.** **03-01**

(52) **U.S. Cl.**
USPC **D3/319**

(58) **Field of Classification Search**
CPC A45C 5/14; A45C 5/03; A45C 13/02;
A45C 2005/037; A45C 7/0045; A45C
2013/026; A45C 5/00; A45C 2005/032;
A45C 2005/035
USPC D3/273, 276, 279, 283–285, 289, 301,
D3/318, 319, 321, 902; 190/18 A, 100,
190/103, 104, 107, 109, 111–113, 115, 116,
190/119

See application file for complete search history.

(56) **References Cited**

U.S. PATENT DOCUMENTS

1,799,877	A *	4/1931	Wheary et al.	206/292
2,001,806	A *	5/1935	Wheary	206/292
2,294,794	A *	9/1942	Morelli	190/111
4,437,549	A *	3/1984	Gibbs	190/109
5,096,030	A *	3/1992	Espinosa et al.	190/108

5,474,162	A *	12/1995	Shyr et al.	190/18 A
D391,081	S *	2/1998	Godshaw	D3/319
5,732,817	A *	3/1998	Plath	206/298
D412,616	S *	8/1999	Livingston	D3/276
D416,679	S *	11/1999	Livingston	D3/285
D419,300	S *	1/2000	Livingston	D3/284
D582,673	S *	12/2008	Mangano	D3/279
D601,801	S *	10/2009	Perez	D3/319
D632,079	S *	2/2011	Spencer et al.	D3/301
D666,816	S *	9/2012	Weber	D3/279
2011/0186398	A1 *	8/2011	Sheikh	190/18 A
2012/0241269	A1 *	9/2012	Sheikh	190/115
2012/0247897	A1 *	10/2012	Sheikh	190/115
2014/0197000	A1 *	7/2014	Harrison	190/103

FOREIGN PATENT DOCUMENTS

EM 002272625-0001 * 7/2013

* cited by examiner

Primary Examiner — Barbara Fox
Assistant Examiner — Lilyana Bekic

(57) **CLAIM**

The ornamental design for luggage, as shown and described.

DESCRIPTION

FIG. 1 is a front plan view of a luggage interior design when the luggage is in open position; and, FIG. 2 is a front top perspective view thereof. The dash-dash broken lines in the drawings illustrate stitching on the interior of the luggage and form part of the claimed design. All other broken lines depict portions of the luggage that form no part of the claimed design.

1 Claim, 2 Drawing Sheets

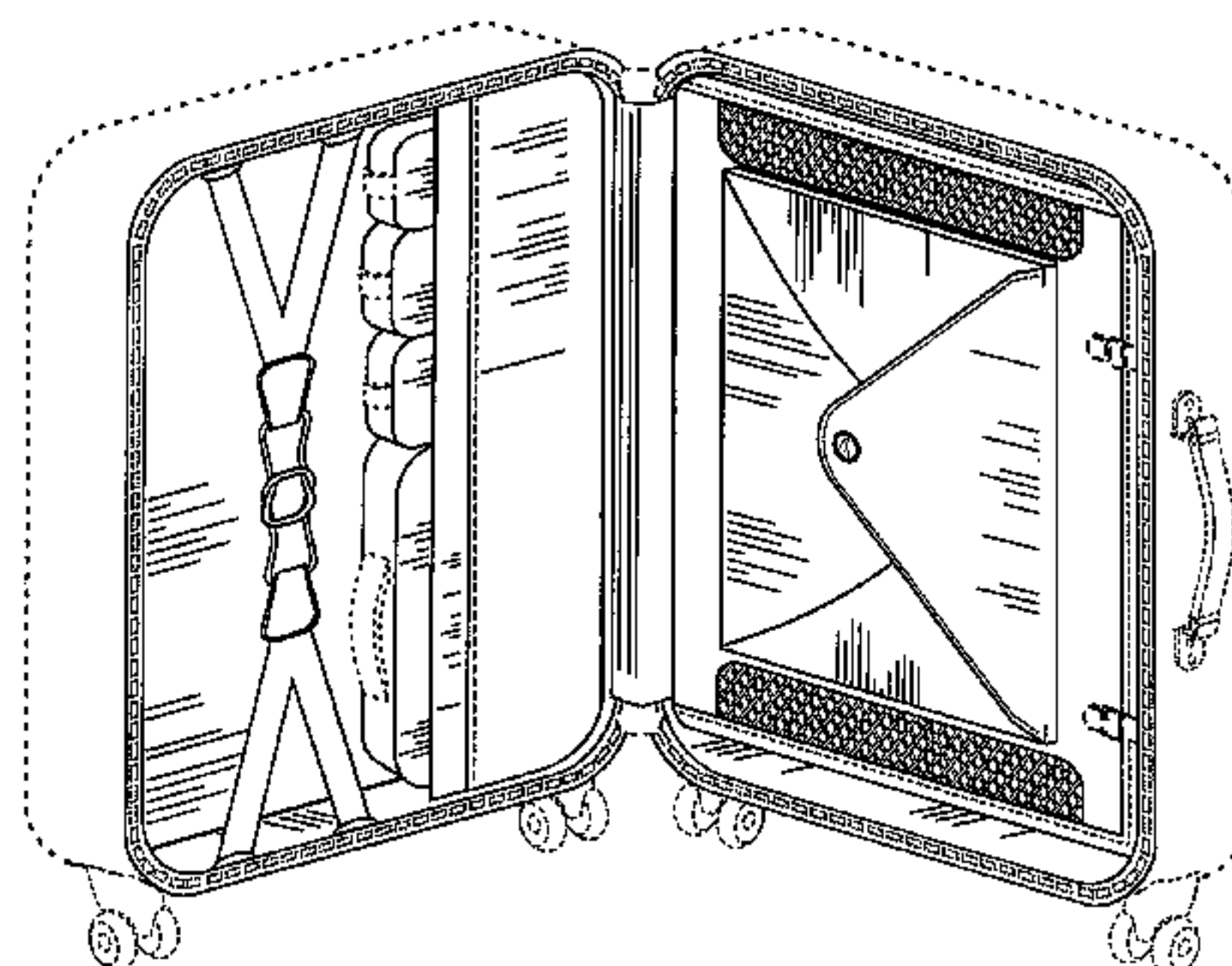
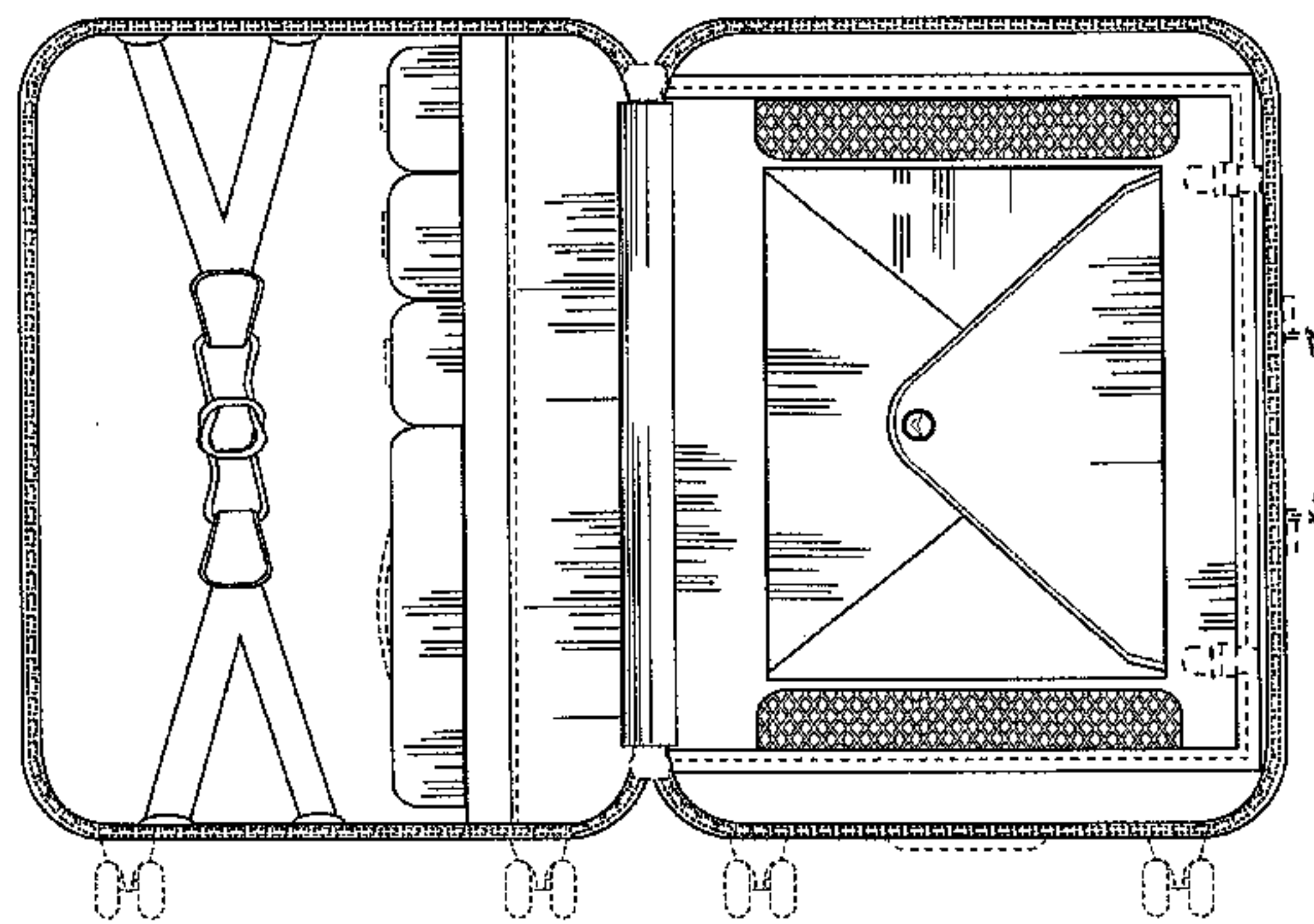
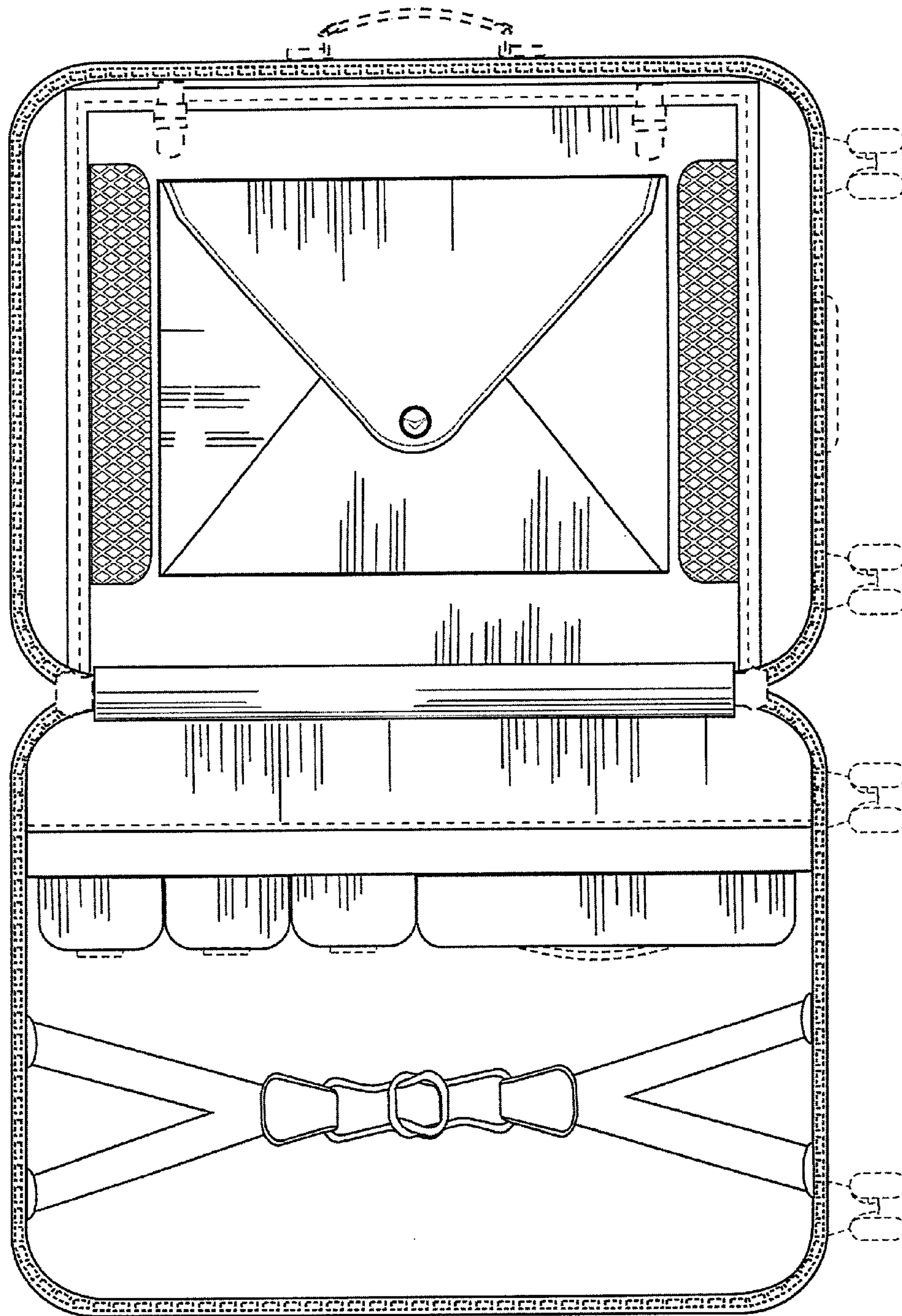


Fig. 1



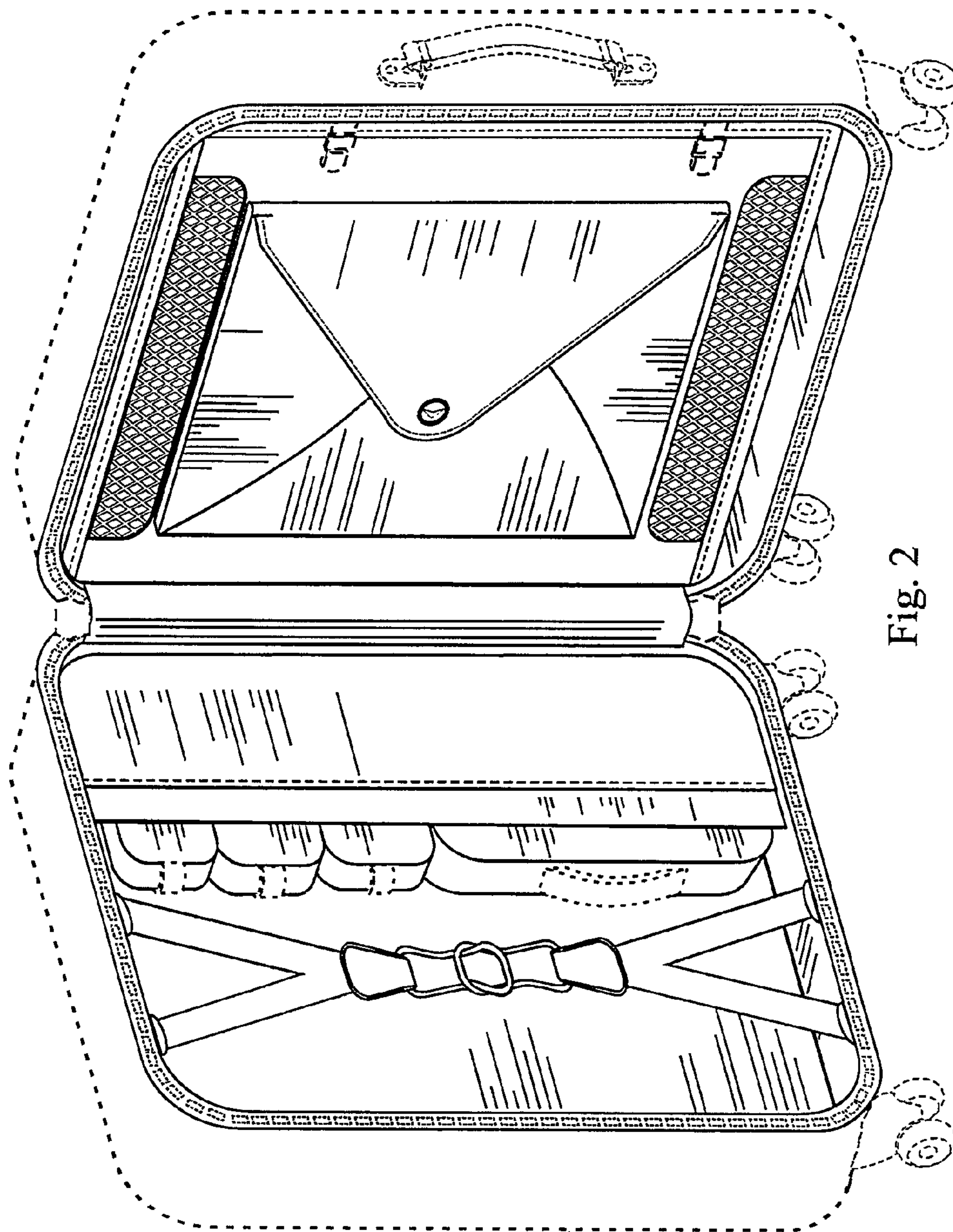


Fig. 2