



US00D723805S

(12) **United States Design Patent**  
**Habraken**

(10) **Patent No.:** **US D723,805 S**  
(45) **Date of Patent:** **\*\* Mar. 10, 2015**

- (54) **FOLDABLE WIRE BASKET**
- (71) Applicant: **Kikkerland Design, Inc.**, New York, NY (US)
- (72) Inventor: **Jan Habraken**, Brooklyn, NY (US)
- (73) Assignee: **Kikkerland Design, Inc.**, New York, NY (US)
- (\*\*) Term: **14 Years**
- (21) Appl. No.: **29/492,873**
- (22) Filed: **Jun. 3, 2014**
- (51) **LOC (10) Cl.** ..... **03-01**
- (52) **U.S. Cl.**  
USPC ..... **D3/306**
- (58) **Field of Classification Search**  
USPC ..... D3/304, 306, 314, 315, 316; 220/485, 220/491, 495; 217/122, 123  
See application file for complete search history.

|           |      |         |                      |         |
|-----------|------|---------|----------------------|---------|
| 6,892,895 | B2 * | 5/2005  | Zhu et al. ....      | 220/489 |
| D646,933  | S *  | 10/2011 | Goodman et al. ....  | D7/601  |
| D659,401  | S *  | 5/2012  | Pedersen et al. .... | D3/306  |
| D664,006  | S *  | 7/2012  | Goodman et al. ....  | D7/601  |
| D679,544  | S *  | 4/2013  | Goodman et al. ....  | D7/501  |
| D680,374  | S *  | 4/2013  | Goodman et al. ....  | D7/501  |
| D697,149  | S *  | 1/2014  | Heck .....           | D21/701 |

\* cited by examiner

*Primary Examiner* — Kelley Donnelly

(74) *Attorney, Agent, or Firm* — Cascio & Zervas

(57) **CLAIM**

The ornamental design for a foldable wire basket, as shown and described.

**DESCRIPTION**

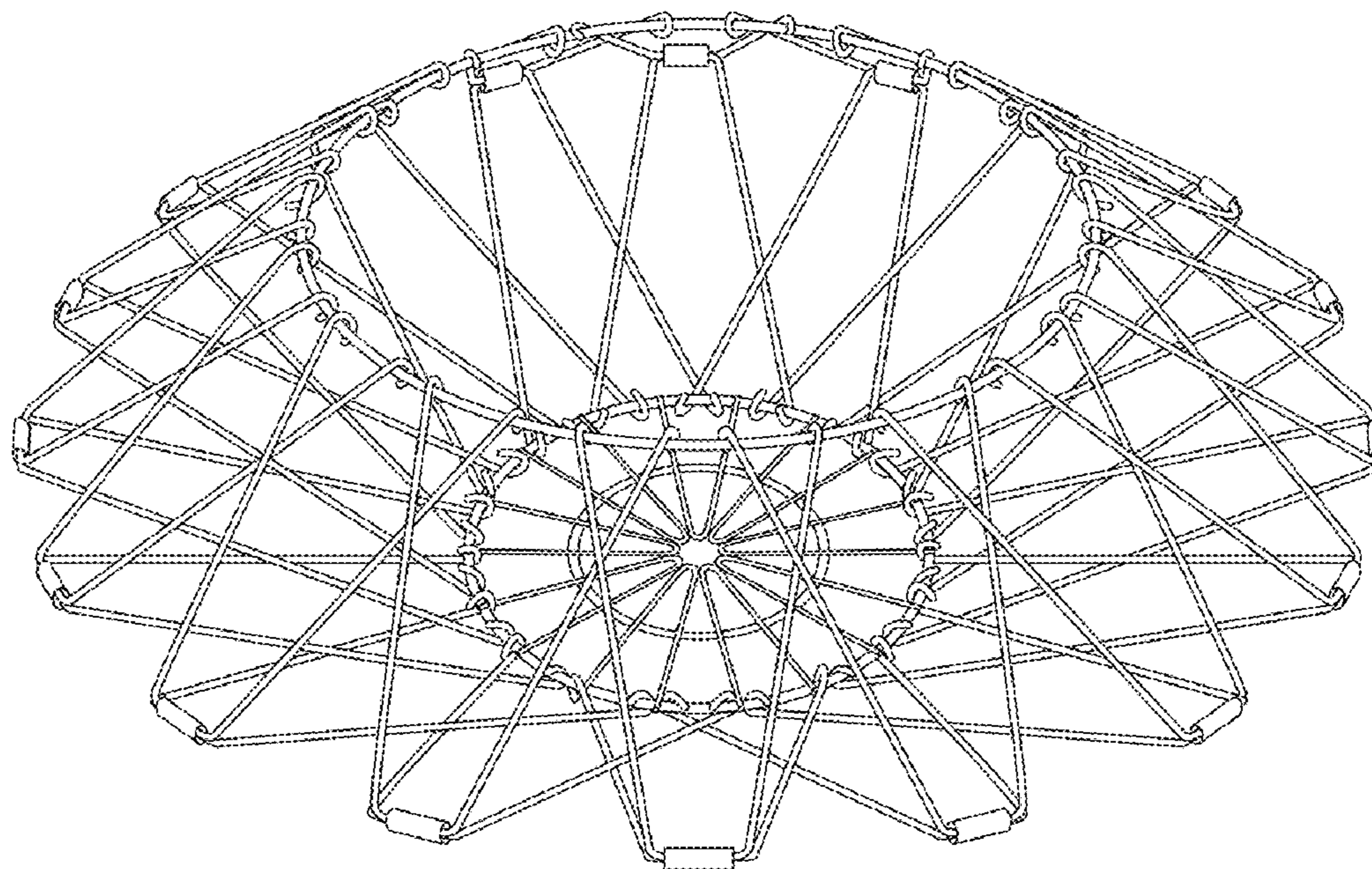
FIG. 1 is a top plan view of the foldable wire basket showing my design;  
 FIG. 2 is a bottom plan view thereof;  
 FIG. 3 is a front elevational view thereof;  
 FIG. 4 is a rear elevational view thereof;  
 FIG. 5 is a right side elevational view thereof;  
 FIG. 6 is a left side elevational view thereof;  
 FIG. 7 is a front perspective view thereof; and,  
 FIG. 8 is a front perspective view thereof shown being in a collapsed configuration.

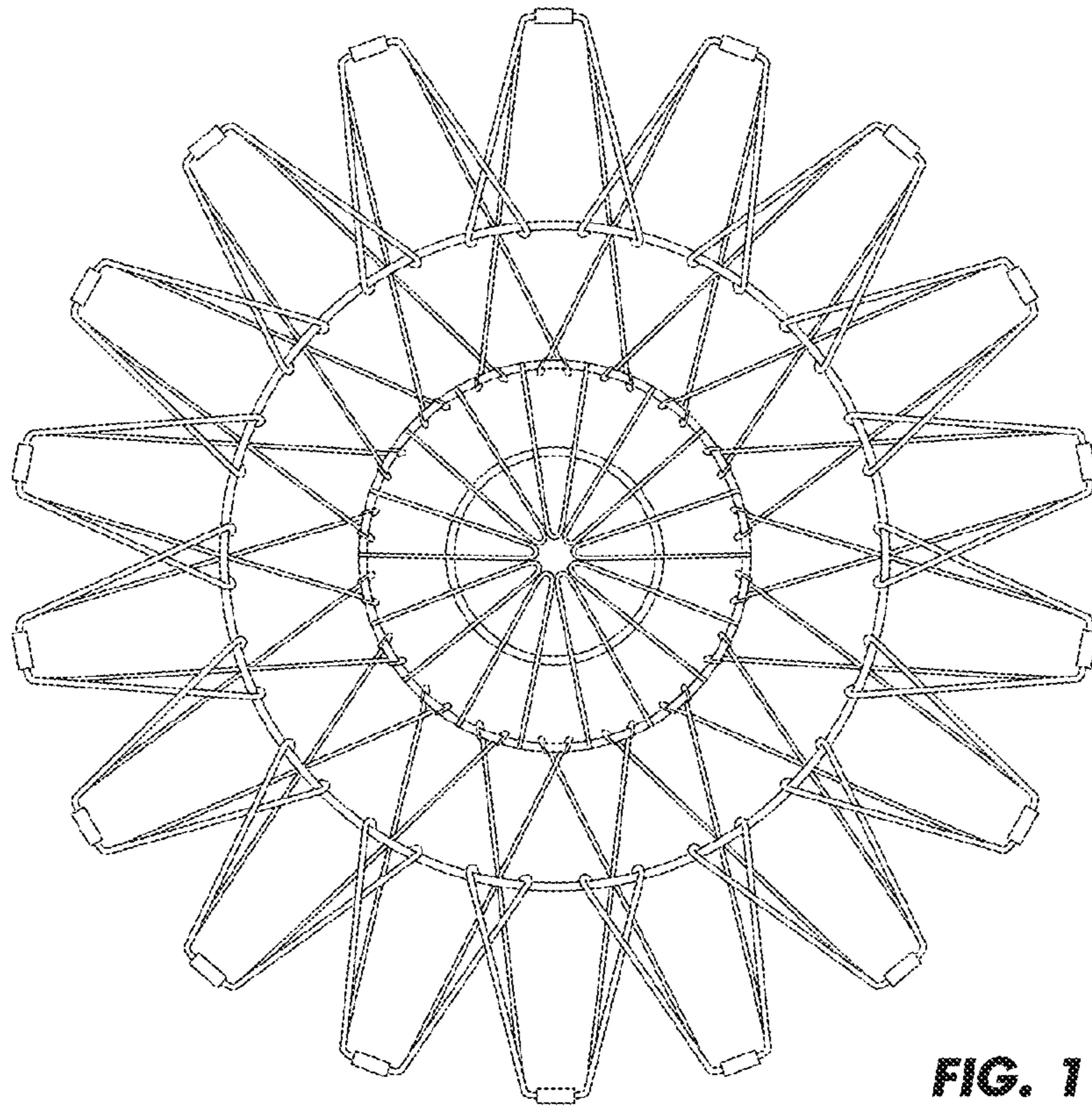
**1 Claim, 3 Drawing Sheets**

(56) **References Cited**

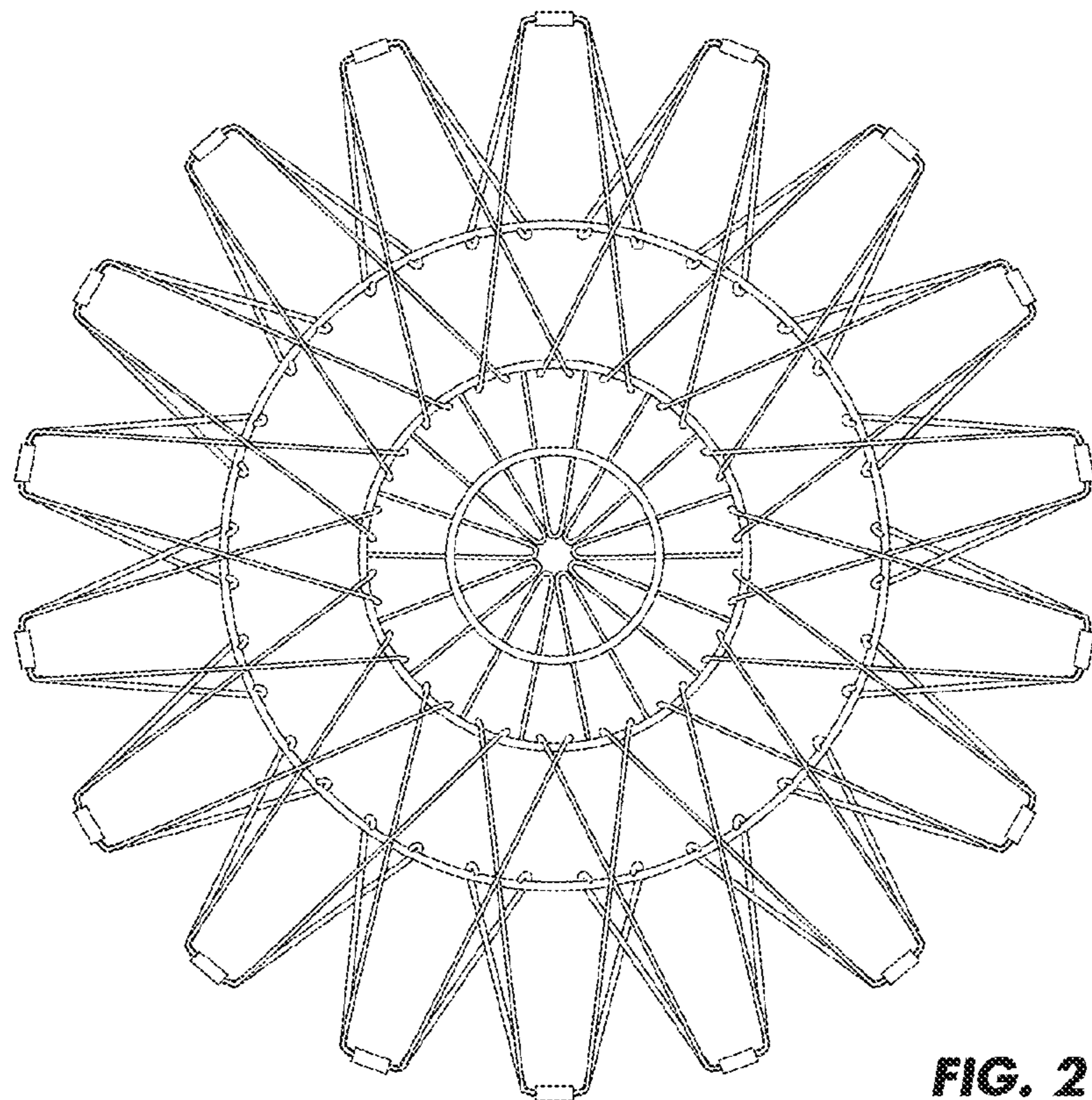
**U.S. PATENT DOCUMENTS**

|           |     |         |                 |         |
|-----------|-----|---------|-----------------|---------|
| 151,780   | A * | 6/1874  | Horrocks .....  | 220/495 |
| 414,175   | A * | 10/1889 | Whittaker ..... | 47/32.4 |
| 1,477,700 | A * | 12/1923 | Fuller .....    | 220/491 |
| D188,512  | S * | 8/1960  | Haag .....      | D3/306  |
| D357,356  | S * | 4/1995  | Muresan .....   | D3/306  |
| D382,710  | S * | 8/1997  | Henderson ..... | D3/305  |

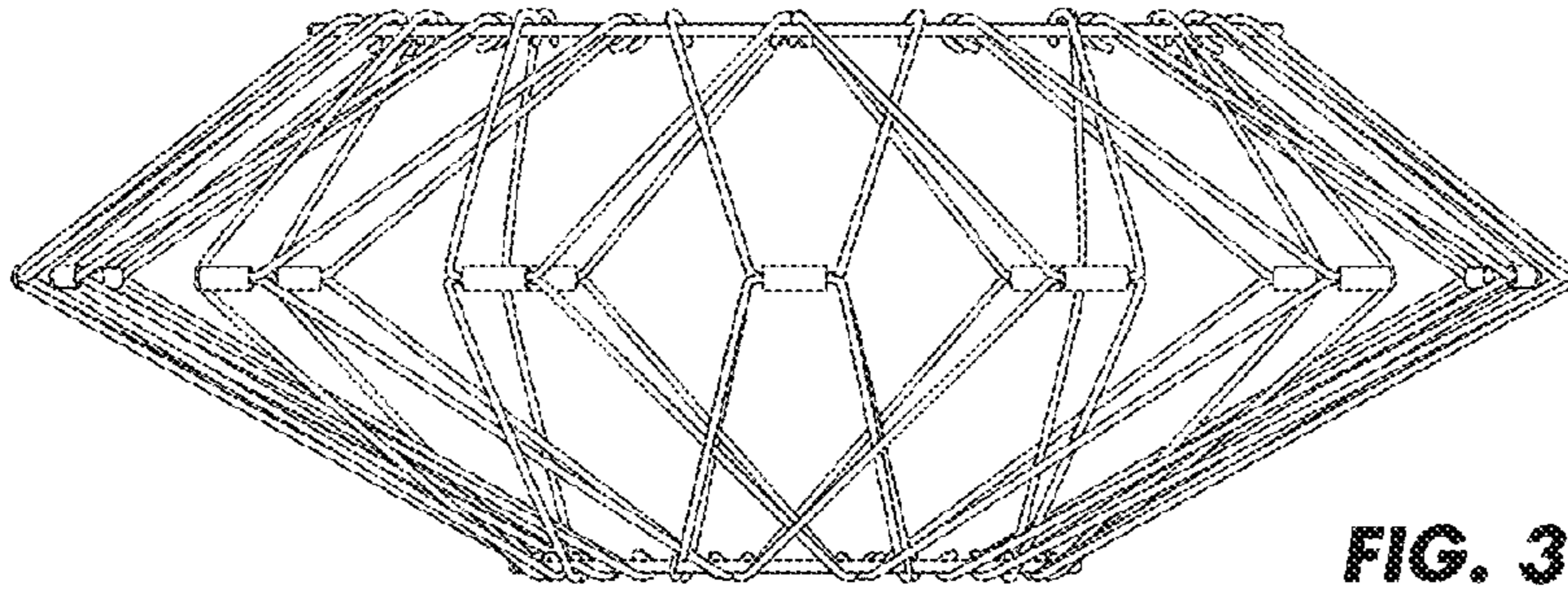




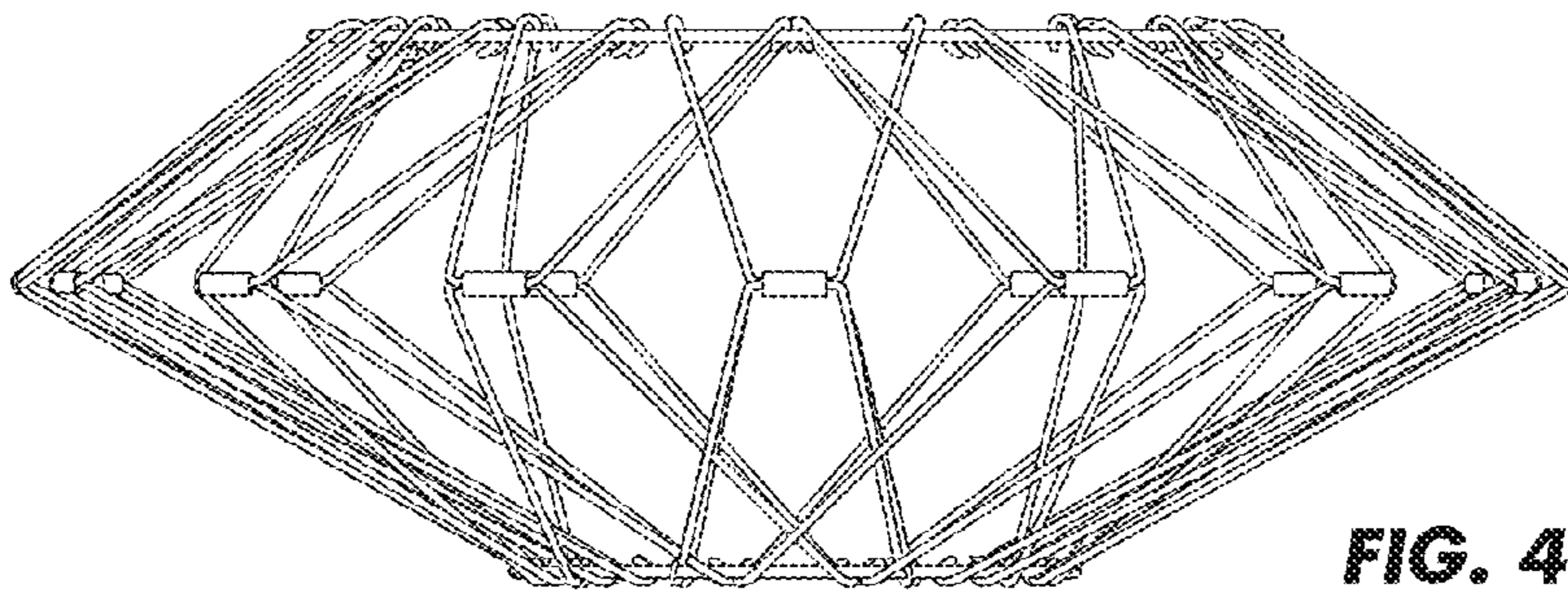
**FIG. 1**



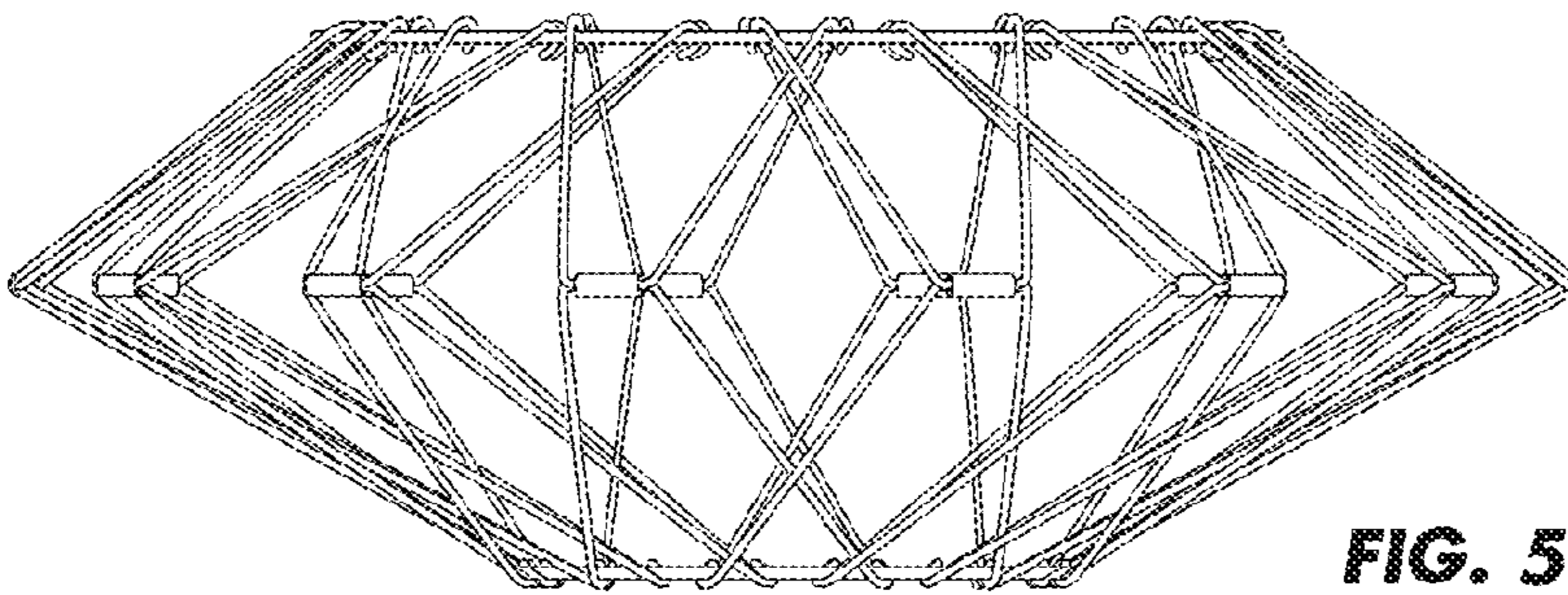
**FIG. 2**



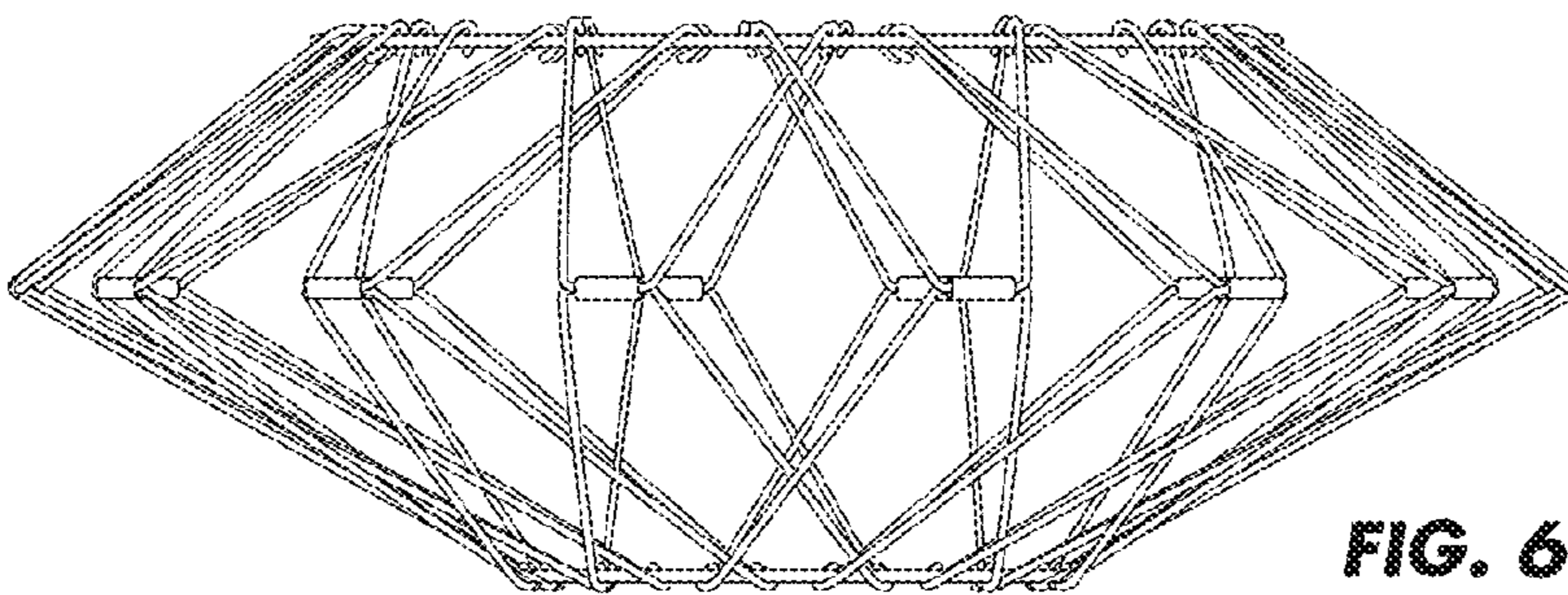
**FIG. 3**



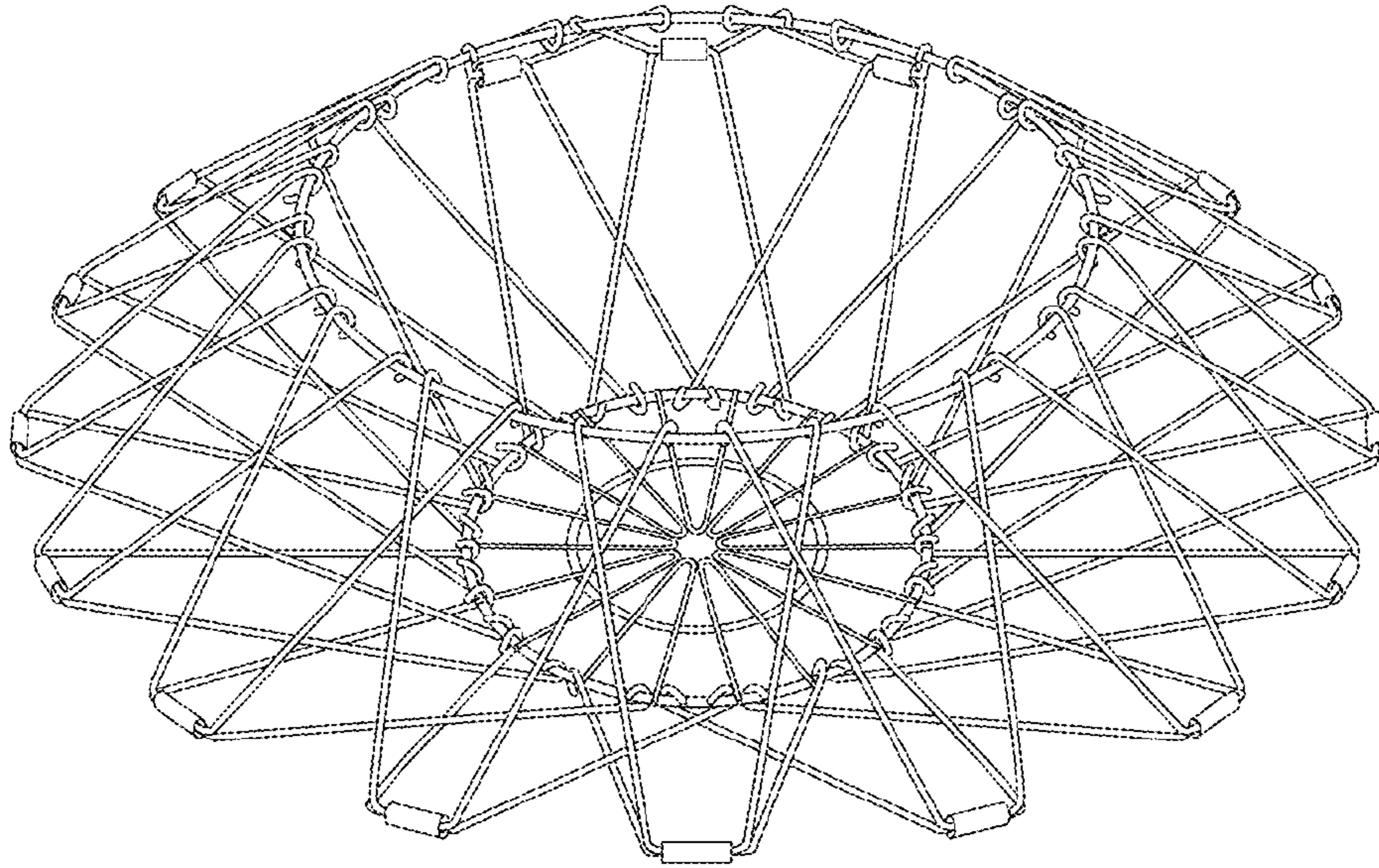
**FIG. 4**



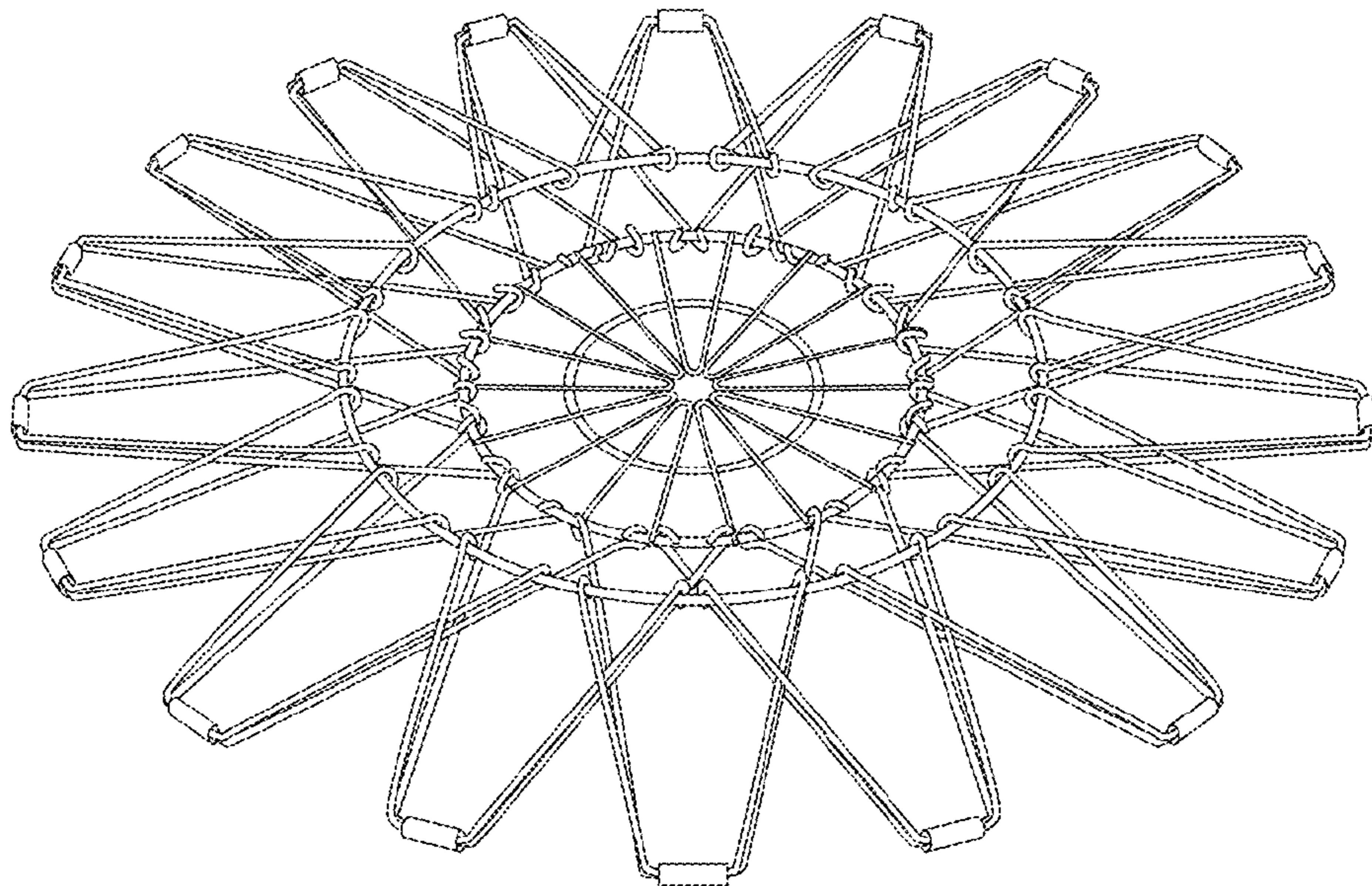
**FIG. 5**



**FIG. 6**



**FIG. 7**



**FIG. 8**