



US00D723802S

(12) **United States Design Patent**
Jones

(10) **Patent No.:** **US D723,802 S**
(45) **Date of Patent:** **** Mar. 10, 2015**

(54) **CARRYING CASE WITH INTEGRATED WHITEBOARD**

(71) Applicant: **Walter Jones**, Coto De Caza, CA (US)

(72) Inventor: **Walter Jones**, Coto De Caza, CA (US)

(**) Term: **14 Years**

(21) Appl. No.: **29/462,228**

(22) Filed: **Jul. 31, 2013**

Related U.S. Application Data

(63) Continuation-in-part of application No. 13/568,854, filed on Aug. 7, 2012, now abandoned.

(51) **LOC (10) Cl.** **03-01**

(52) **U.S. Cl.**
USPC **D3/274; D3/282; D3/905; D19/113**

(58) **Field of Classification Search**
USPC **D3/280–288, 291–297, 900–905, 272, D3/273, 276, 302; D9/415, 424, 426; D19/113; 190/110, 111, 112; 206/372–379, 349, 508, 573, 232; 220/523–528, 23.4, 324, 326**
See application file for complete search history.

(56) **References Cited**

U.S. PATENT DOCUMENTS

D314,669 S *	2/1991	Kunimune	D3/282
D344,975 S *	3/1994	Tarozzi	D21/469
D356,336 S *	3/1995	Mak	D19/52
D390,357 S *	2/1998	Rosen	D3/282
D471,360 S *	3/2003	Huang	D3/282
D532,822 S *	11/2006	White et al.	D19/52
7,607,699 B2 *	10/2009	Langford	281/29
D627,393 S *	11/2010	Shevin-Sandy	D19/52

D669,531 S *	10/2012	Kong et al.	D19/52
8,517,329 B2 *	8/2013	Nash et al.	248/441.1
D697,554 S *	1/2014	Lee et al.	D19/88
D711,467 S *	8/2014	Rhodes	D19/113
2007/0074984 A1 *	4/2007	Liu	206/349
2013/0206622 A1 *	8/2013	Thomas	206/349
2014/0042054 A1 *	2/2014	Jones, Jr.	206/573

* cited by examiner

Primary Examiner — Jennifer Rivard

Assistant Examiner — April Rivas

(74) *Attorney, Agent, or Firm* — Cotman IP Law Group, PLC

(57) **CLAIM**

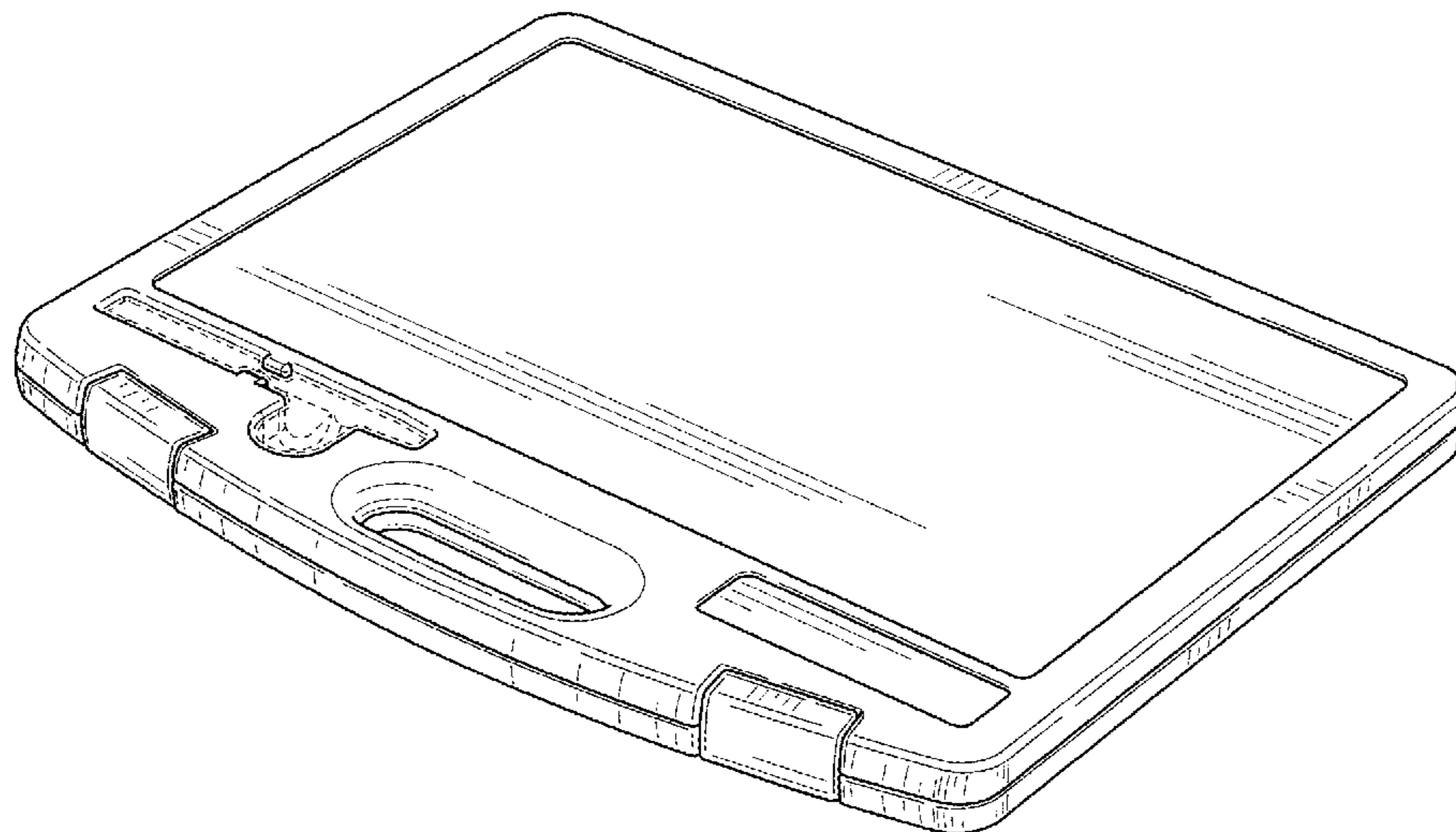
The ornamental design for a carrying case with integrated whiteboard, as shown and described.

DESCRIPTION

FIG. 1 is a front isometric view of a carrying case with integrated whiteboard showing a new design; FIG. 2 is a left side view of the embodiment of the carrying case with integrated whiteboard shown in FIG. 1; FIG. 3 is a front view of the embodiment of the carrying case with integrated whiteboard shown in FIG. 1; FIG. 4 is a back view of the embodiment of the carrying case with integrated whiteboard shown in FIG. 1; and, FIG. 5 is a bottom view of the embodiment of the carrying case with integrated whiteboard; shown in FIG. 1.

The broken lines immediately adjacent the solid contour lines in FIGS. 1, 3 and 4 represent the bounds of the claim. The remaining broken lines illustrate portions of the carrying case with integrated whiteboard. None of the broken lines forms part of the claimed design.

1 Claim, 3 Drawing Sheets



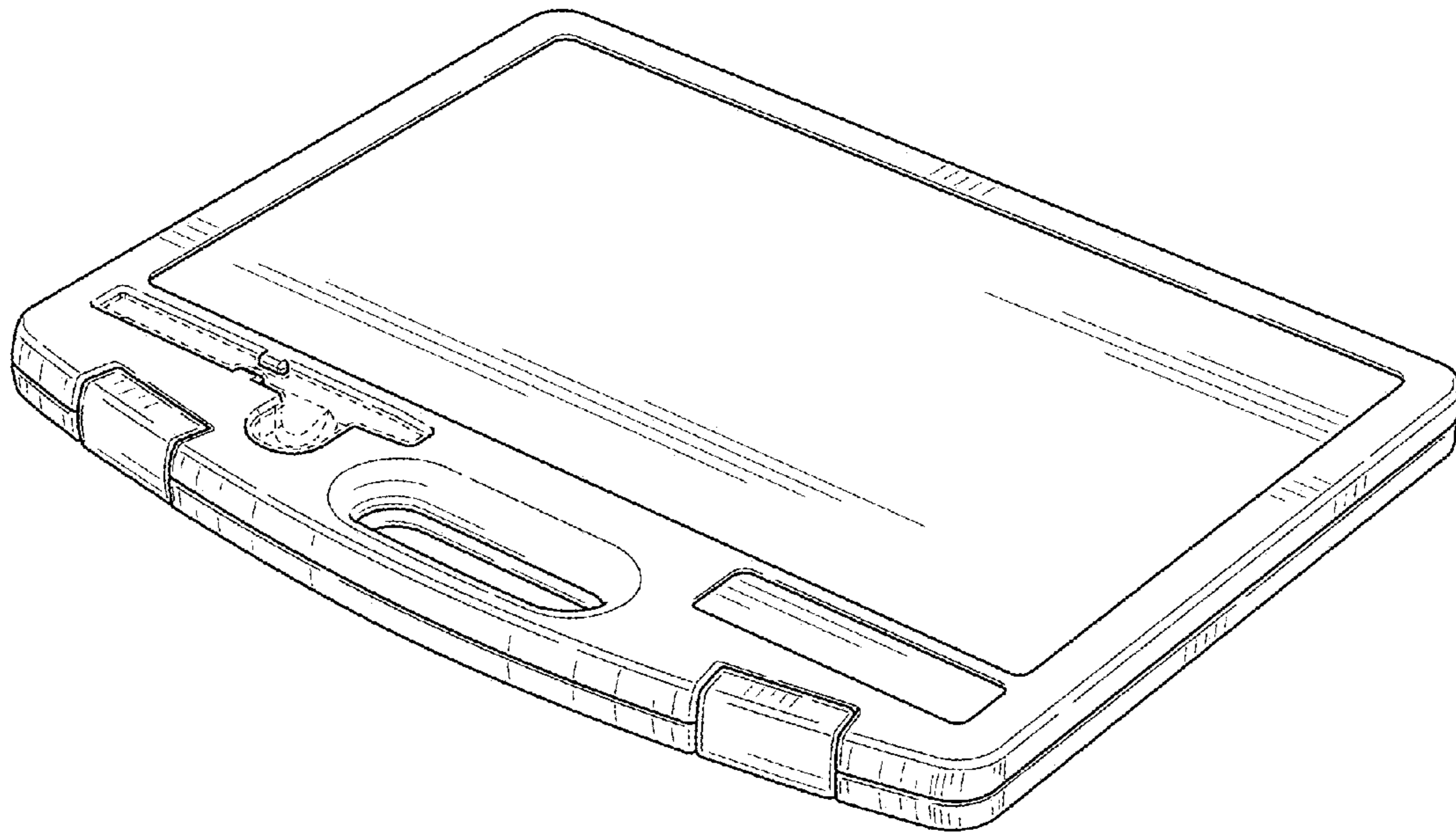


FIG. 1

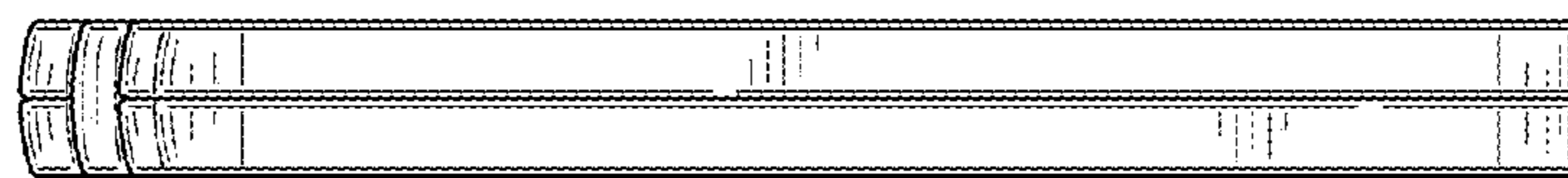


FIG. 2

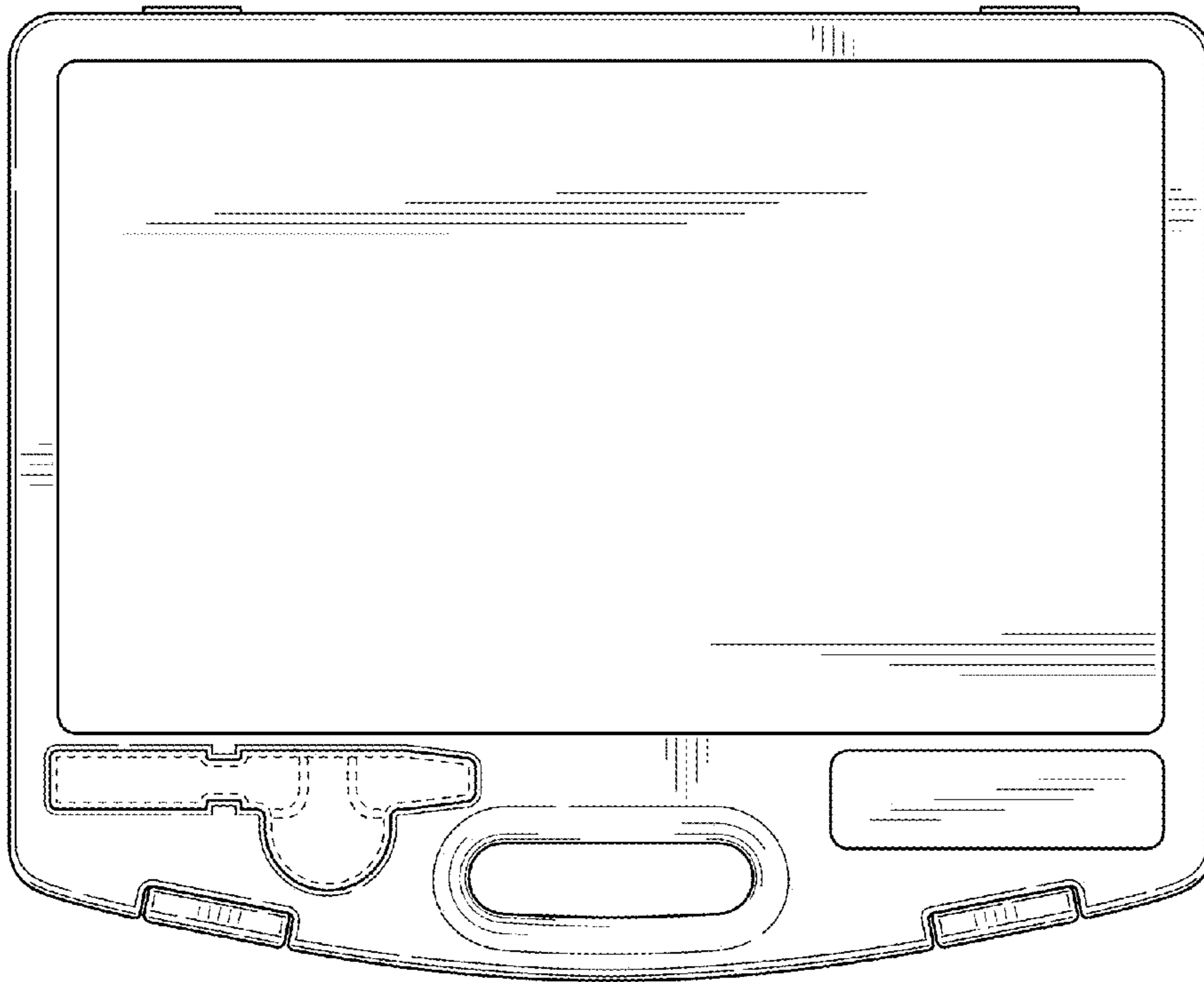


FIG. 3

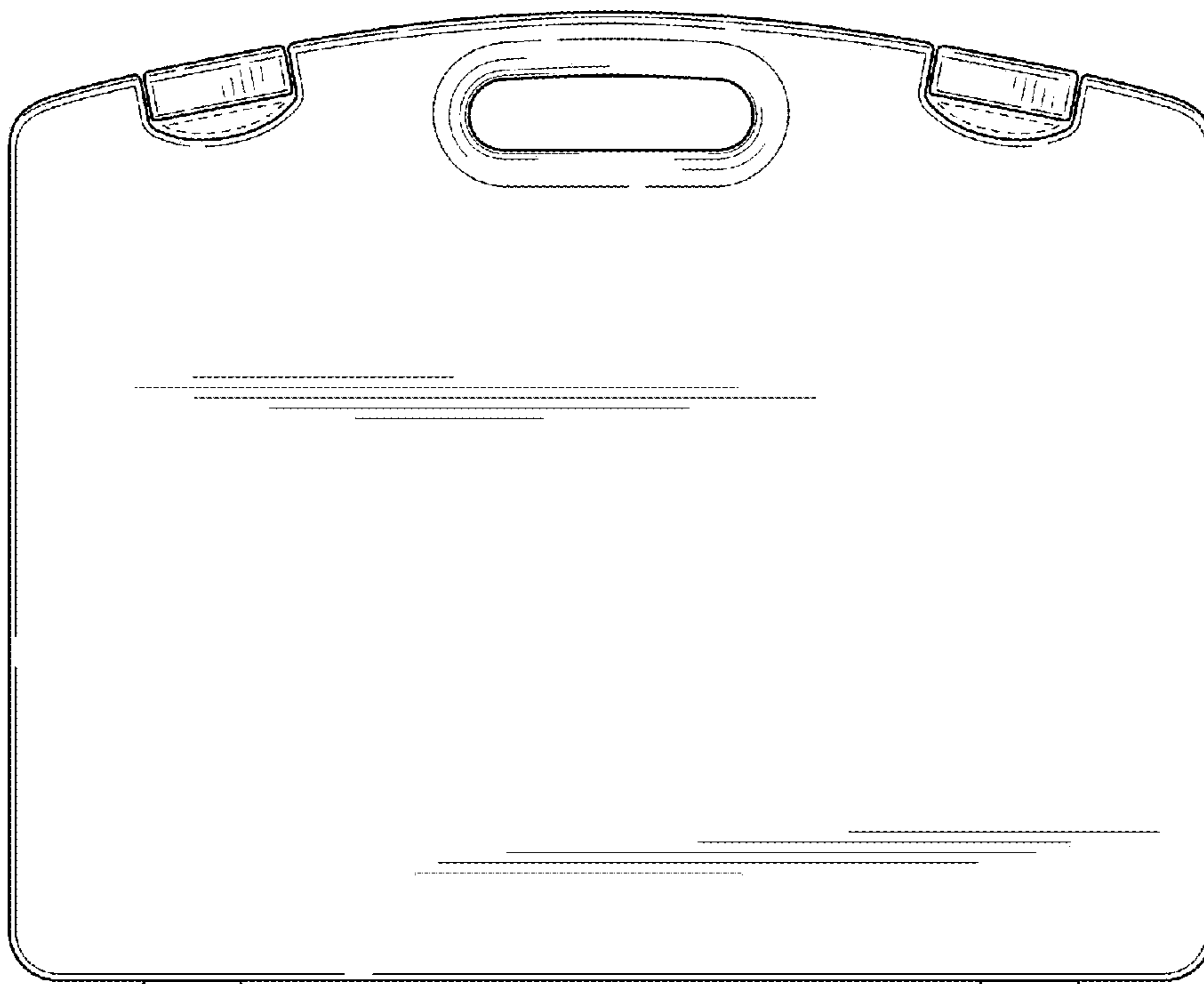


FIG. 4



FIG. 5