



US00D723799S

(12) **United States Design Patent**
Glass et al.

(10) **Patent No.:** **US D723,799 S**
(45) **Date of Patent:** **** Mar. 10, 2015**

(54) **TRI-FOLD WALLET HOLDER FOR STORED VALUE CARDS**

5,779,500 A * 7/1998 Tokuwa et al. 439/557
6,126,009 A * 10/2000 Shiffler et al. 206/494
D433,808 S * 11/2000 Moorhouse, Sr. D3/303

(71) Applicant: **Gift Card Impressions, LLC**, Kansas City, MO (US)

(Continued)

(72) Inventors: **Brett R. Glass**, Kansas City, MO (US);
Nicole E. Glass, Kansas City, MO (US)

Primary Examiner — Adir Aronovich
Assistant Examiner — Ethiene Salgado-Rodriguez
(74) *Attorney, Agent, or Firm* — Polsinelli PC

(73) Assignee: **Gift Card Impressions, LLC**, Kansas City, MO (US)

(57) **CLAIM**
The ornamental design for a tri-fold wallet holder for stored value cards, as shown and described.

(**) Term: **14 Years**

DESCRIPTION

(21) Appl. No.: **29/453,561**

(22) Filed: **Apr. 30, 2013**

(51) **LOC (10) Cl.** **03-01**

(52) **U.S. Cl.**
USPC **D3/247**

(58) **Field of Classification Search**
CPC A45C 1/06; A45C 11/182
USPC 150/131-149, 152, 165; 206/39, 232,
206/424, 425, 457, 494, 534; 40/124.01,
40/124.06, 124.09, 358, 910-912;
D14/250; D3/203.1, 203.5, 203.6,
D3/203.8, 225-227, 247-253, 299, 301,
D3/303

See application file for complete search history.

FIG. 1 is a front perspective view of a first embodiment for a tri-fold wallet holder for stored value cards in a closed position showing our new design;
FIG. 2 is a front elevational view thereof;
FIG. 3 is a rear elevational view thereof;
FIG. 4 is a top plan view thereof;
FIG. 5 is a bottom plan view thereof;
FIG. 6 is a right side elevational view thereof;
FIG. 7 is a left side elevational view thereof;
FIG. 8 is a front perspective view thereof in an open position;
FIG. 9 is a front perspective view of a second embodiment for a tri-fold wallet holder for stored value cards in a closed position;
FIG. 10 is a front elevational view thereof in a closed position;
FIG. 11 is a front perspective view thereof in an open position; and,
FIG. 12 is a front perspective view of a first embodiment in an open position with a note card inserted therein.

(56) **References Cited**

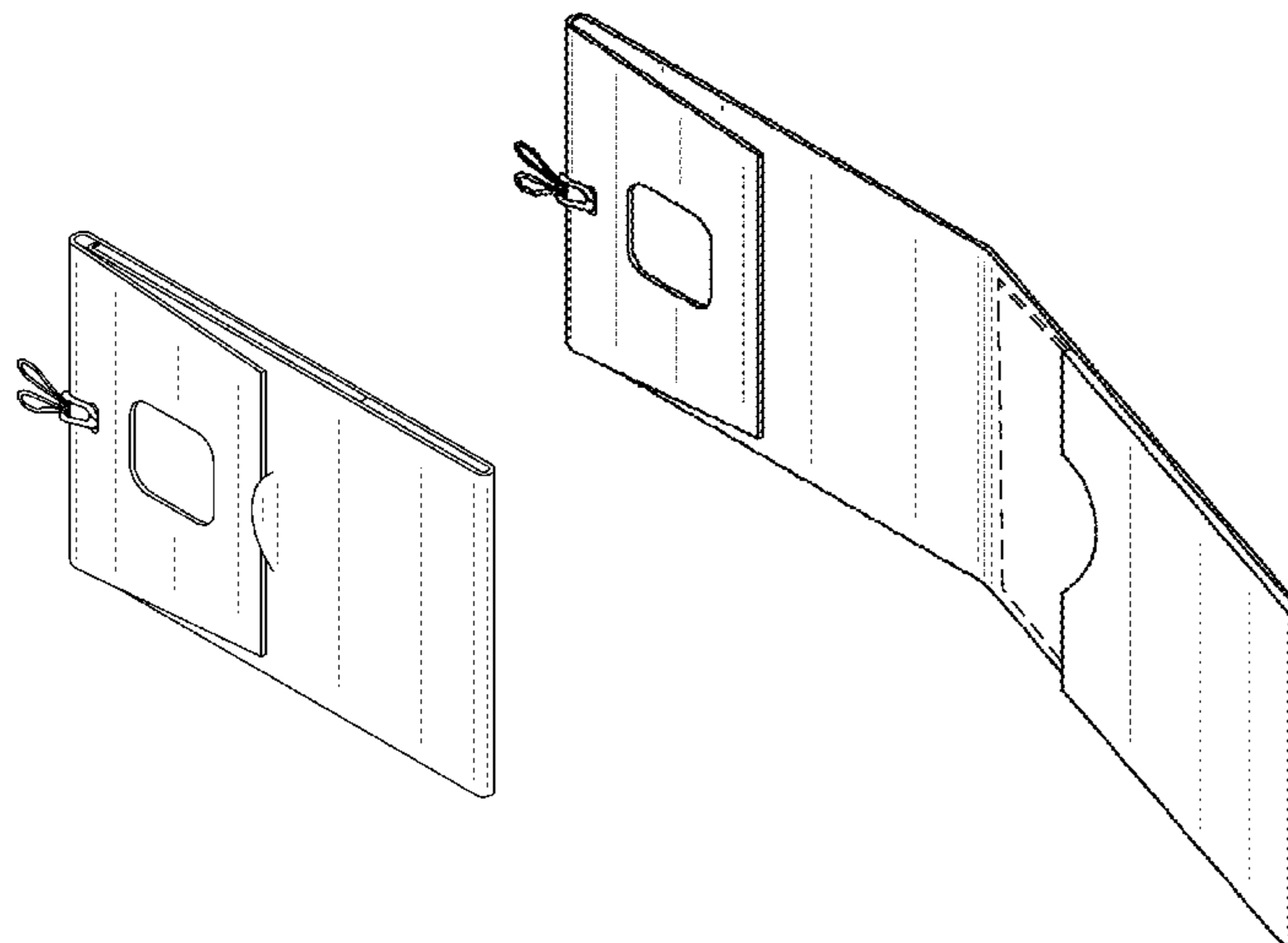
U.S. PATENT DOCUMENTS

175,822 A * 4/1876 Conlan 150/143
1,089,557 A * 3/1914 Henderson 281/34
D184,713 S * 3/1959 Chase D3/248
3,151,651 A * 10/1964 Herbener 150/136
3,288,350 A 11/1966 Kushner
3,757,840 A * 9/1973 Herbener 150/136
4,286,639 A * 9/1981 Murphy 206/37
D269,625 S * 7/1983 Draddy D19/26
D269,626 S * 7/1983 Draddy D19/26
5,337,949 A 8/1994 Seeley

The tri-fold wallet holders of FIGS. 9-11 have the same top, bottom, first side, and second side views as shown in FIGS. 4-7, respectively.

The broken lines showing in FIGS. 9-11 are included for the purpose of illustrating portions of the tri-fold wallet holder for stored value cards that form no part of the claimed design. The broken lines in FIG. 12 showing a note card are to illustrate environment only and form no part of the claimed design.

1 Claim, 5 Drawing Sheets



US D723,799 S

Page 2

(56)

References Cited

U.S. PATENT DOCUMENTS

| | | | | |
|------------------|---------|--------------------|---------|---------------------|
| D660,356 S * | 5/2012 | Moross et al. | D19/26 | |
| 2004/0093773 A1 | 5/2004 | Clark | | |
| 2013/0186783 A1* | 7/2013 | Glass et al. | 206/232 | |
| D582,921 S * | 12/2008 | Zuckerman | D14/458 | |
| D630,016 S * | 1/2011 | Rutjes | D3/303 | * cited by examiner |

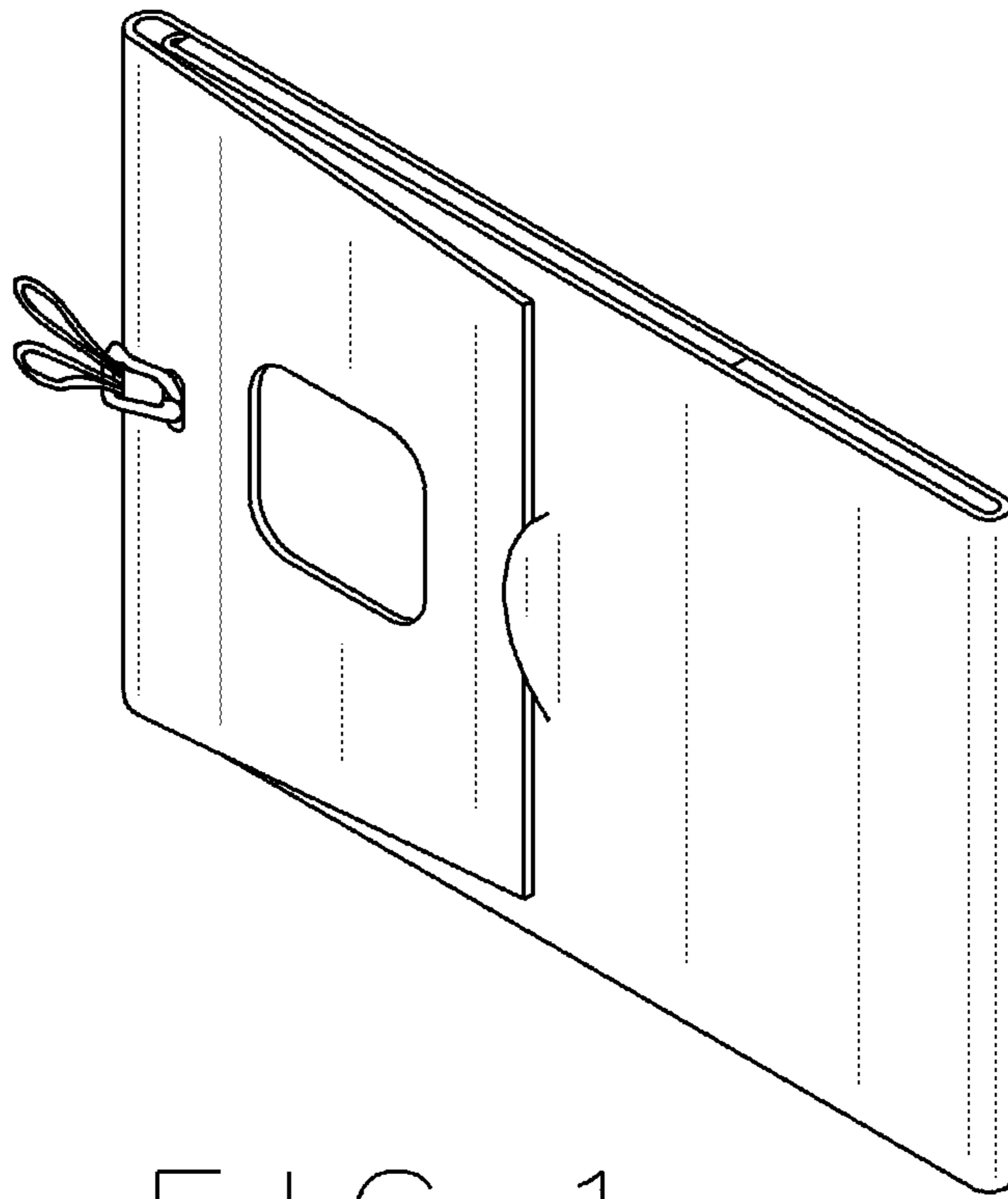


FIG. 1

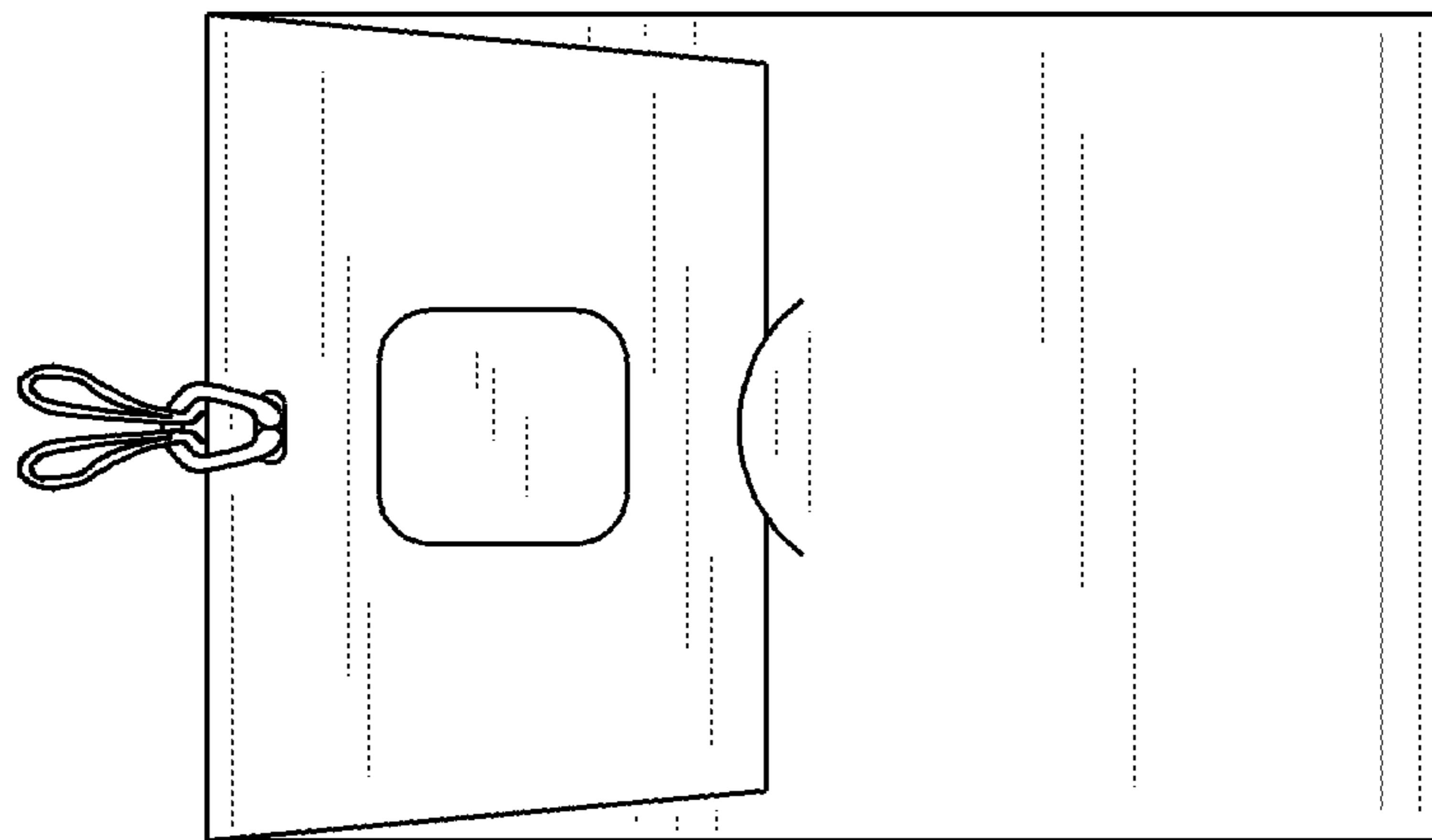


FIG. 2

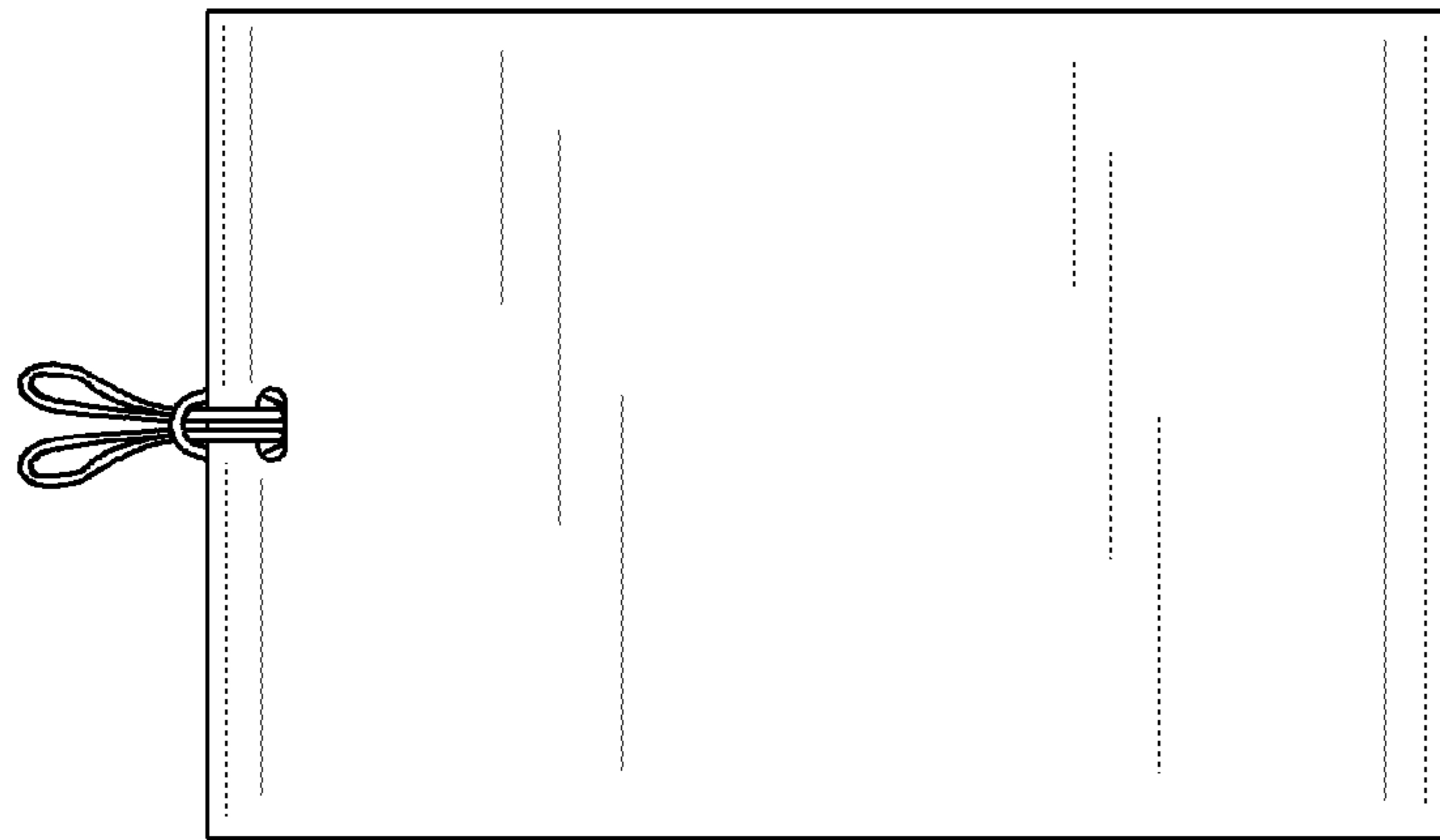


FIG. 3



FIG. 4



FIG. 5

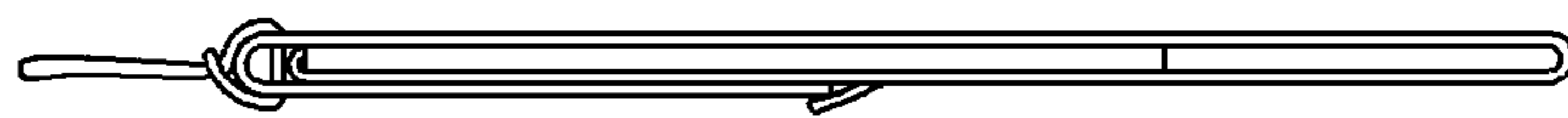


FIG. 6



FIG. 7

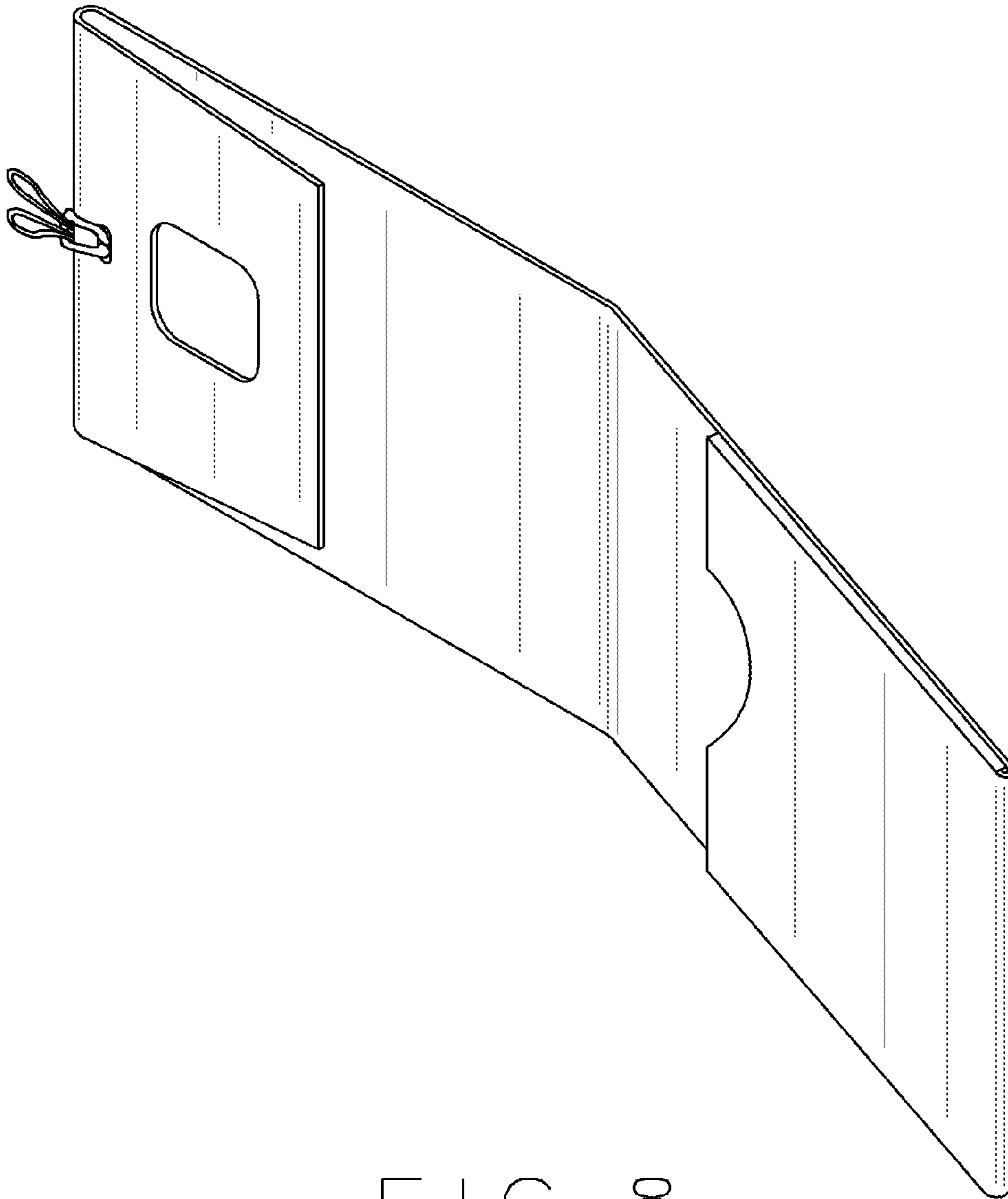


FIG. 8

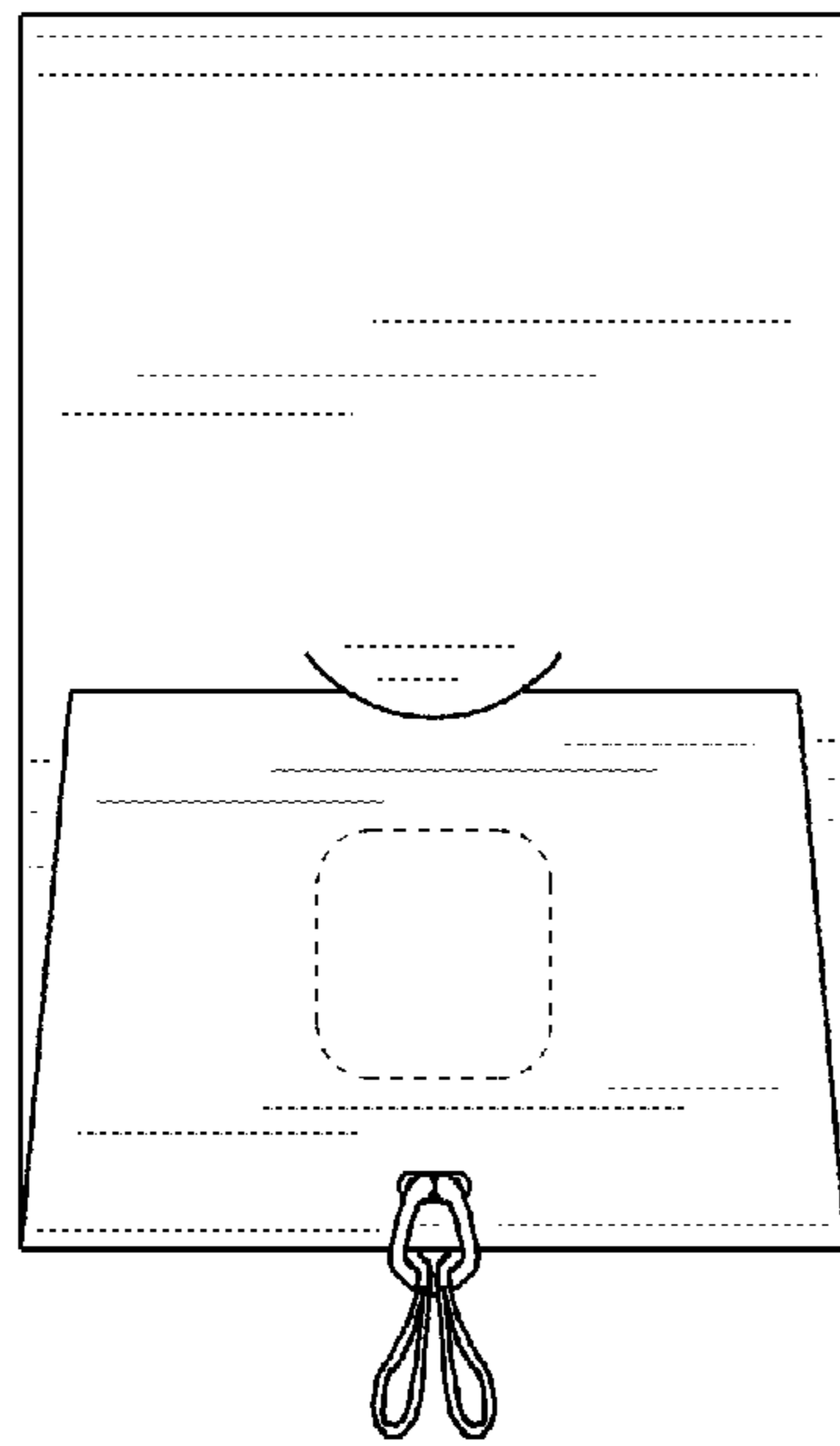


FIG. 10

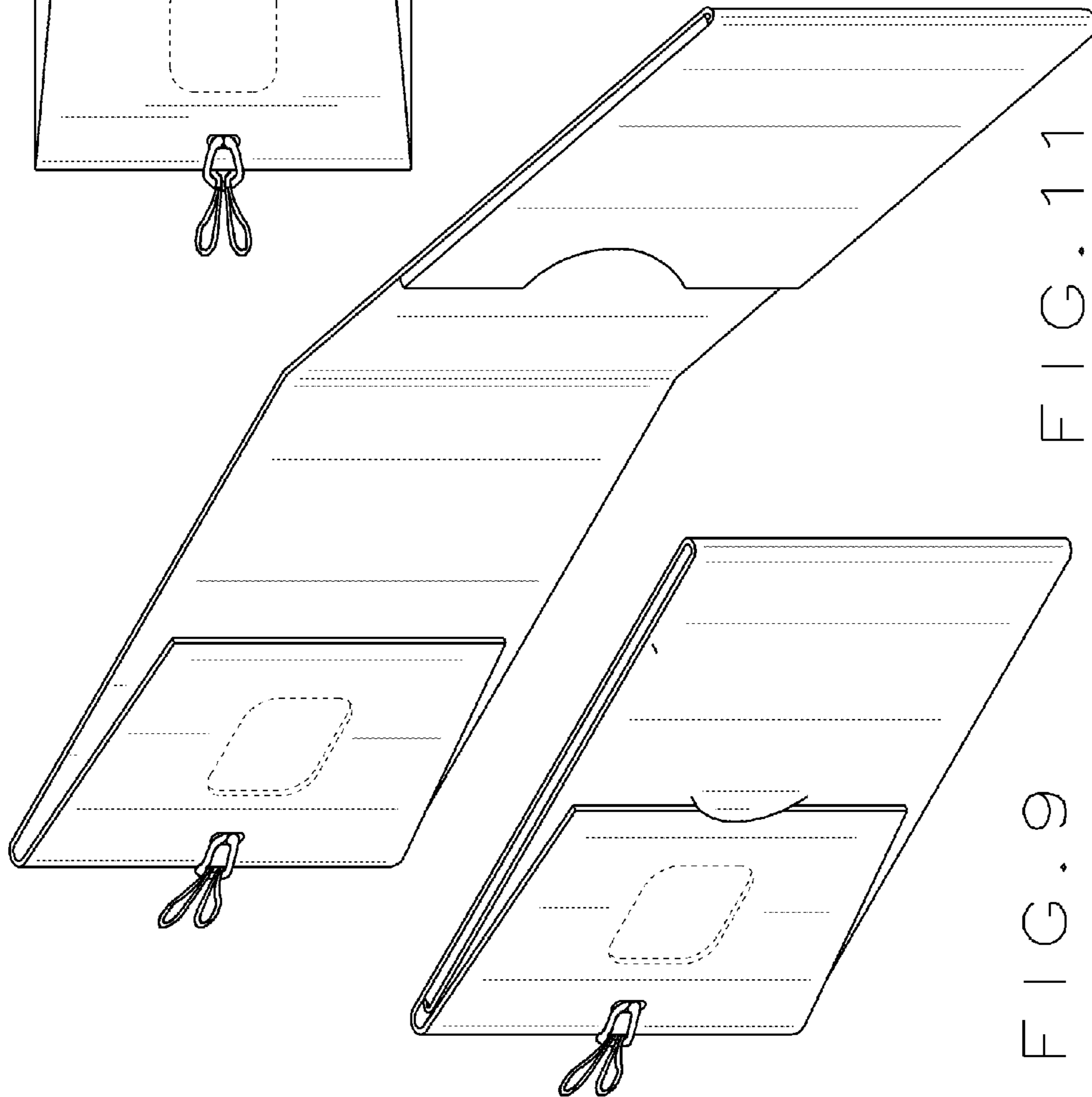


FIG. 11

FIG. 9

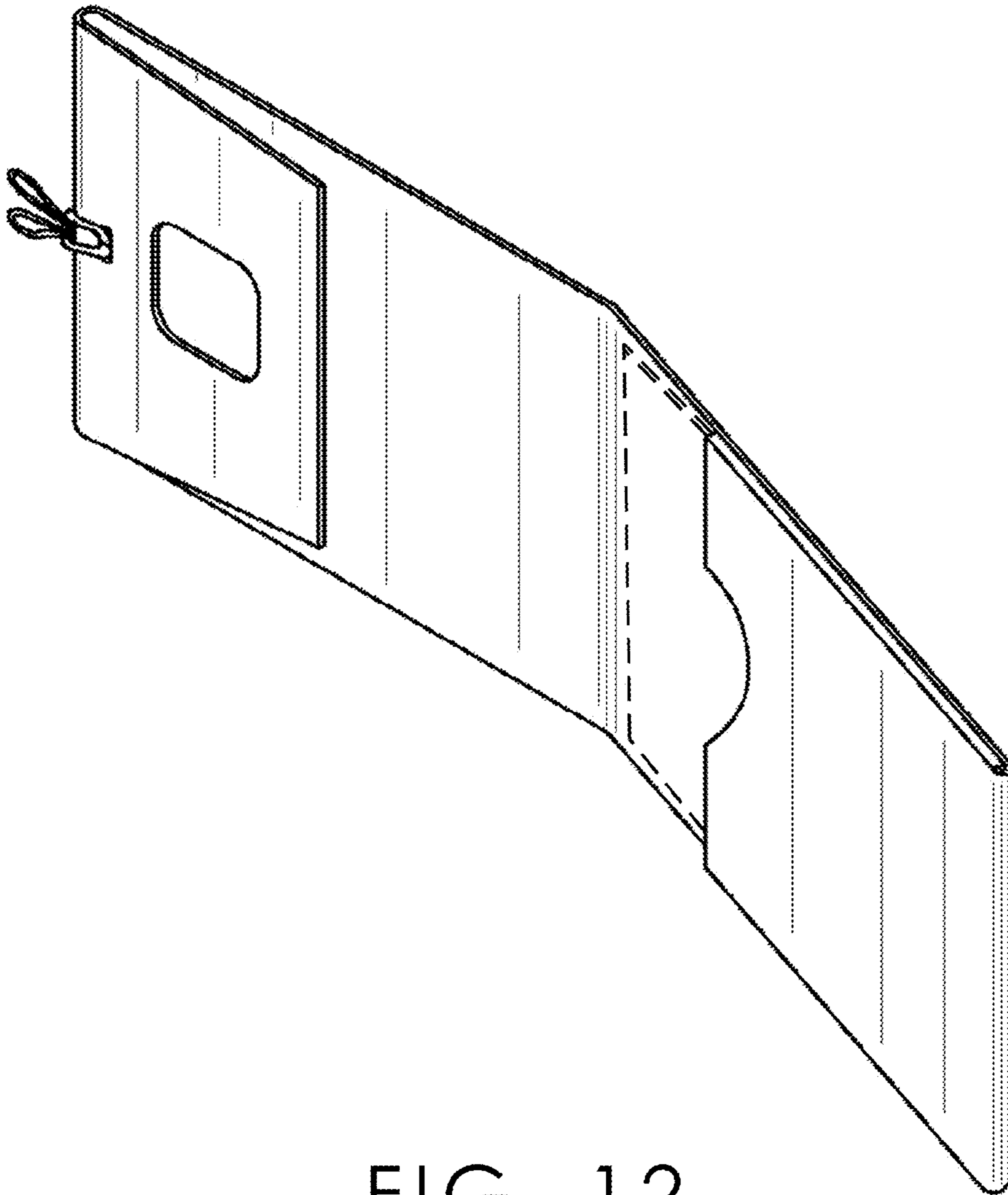


FIG. 12