



US00D723797S

(12) **United States Design Patent**  
**Hassler**

(10) **Patent No.:** **US D723,797 S**  
(45) **Date of Patent:** **\*\* Mar. 10, 2015**

(54) **ELECTRICIAN'S POUCH WITH A COVERED POCKET**

(71) Applicant: **Mathew Ryan Hassler**, San Antonio, TX (US)

(72) Inventor: **Mathew Ryan Hassler**, San Antonio, TX (US)

(73) Assignee: **Rooster Products International, Inc.**, San Antonio, TX (US)

(\*\*) Term: **14 Years**

(21) Appl. No.: **29/494,265**

(22) Filed: **Jun. 18, 2014**

(51) **LOC (10) Cl.** ..... **03-01**

(52) **U.S. Cl.**  
USPC ..... **D3/228**

(58) **Field of Classification Search**  
USPC ..... D3/228, 215, 224, 226; 224/219, 222, 224/267, 269, 165, 176, 904, 240, 232, 668, 224/660, 676-678, 576-577, 682; 206/373  
See application file for complete search history.

(56) **References Cited**

U.S. PATENT DOCUMENTS

D437,999 S *	2/2001	Williamson	.....	D3/228
D481,535 S *	11/2003	Cabrera et al.	.....	D3/228
D530,506 S *	10/2006	Thurner	.....	D3/228
D531,401 S *	11/2006	Thurner	.....	D3/228

\* cited by examiner

*Primary Examiner* — Catheri Oliver-Garcia

(57) **CLAIM**

The ornamental design for an electrician's pouch with a covered pocket, as shown and described.

**DESCRIPTION**

FIG. 1 is a perspective view (as seen from the front view) of an electrician's pouch with the covered pocket in an open position.

FIG. 2 is a front view (with the covered pocket in an open position) thereof.

FIG. 3 is a rear view (with the covered pocket in an open position) thereof.

FIG. 4 is a left side view (with the covered pocket in an open position) thereof.

FIG. 5 is a right side view (with the covered pocket in an open position) thereof.

FIG. 6 is a top view (with the covered pocket in an open position) thereof.

FIG. 7 is a bottom view (with the covered pocket in an open position) thereof.

FIG. 8 is a perspective view (as seen from the back view with the covered pocket in an open position) thereof.

FIG. 9 is a perspective view (as seen from the front view) of an electrician's pouch with the covered pocket in a closed position.

FIG. 10 is a front view (with the covered pocket in a closed position) thereof.

FIG. 11 is a rear view (with the covered pocket in a closed position) thereof.

FIG. 12 is a left side view (with the covered pocket in a closed position) thereof.

FIG. 13 is a right side (with the covered pocket in a closed position) view thereof.

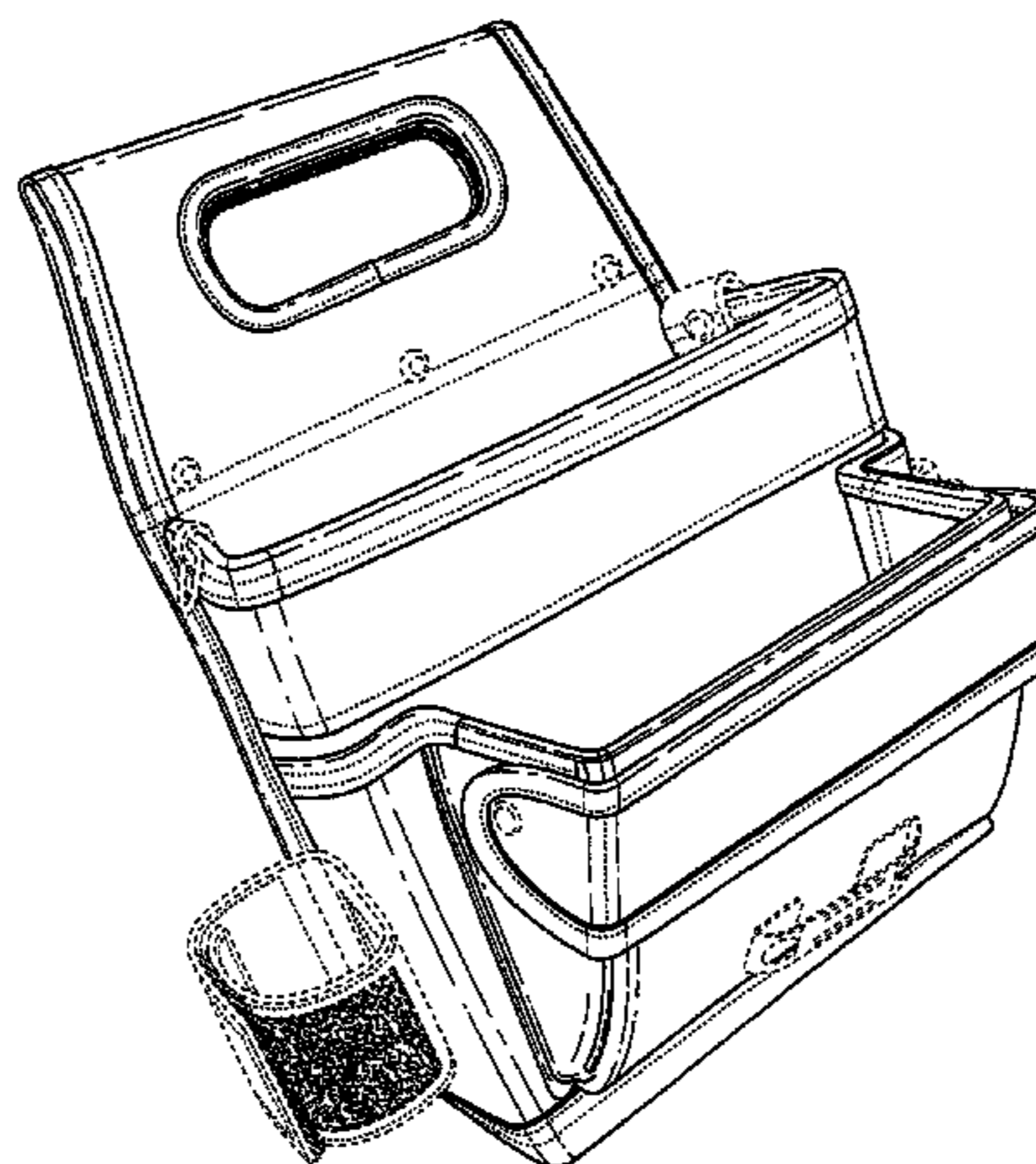
FIG. 14 is a top view (with the covered pocket in a closed position) thereof.

FIG. 15 is a bottom view (with the covered pocket in a closed position) thereof; and,

FIG. 16 is a perspective view (as seen from the back view with the covered pocket in a closed position) thereof.

The small broken or dashed lines are used in the drawings to show the environment related to the claimed design and form no part of the claimed design. The more bold larger dashed lines are used to show stitching which is part of the environment and form no part of the claimed features. The longer irregular dashed lines are used to show curvature.

**1 Claim, 14 Drawing Sheets**



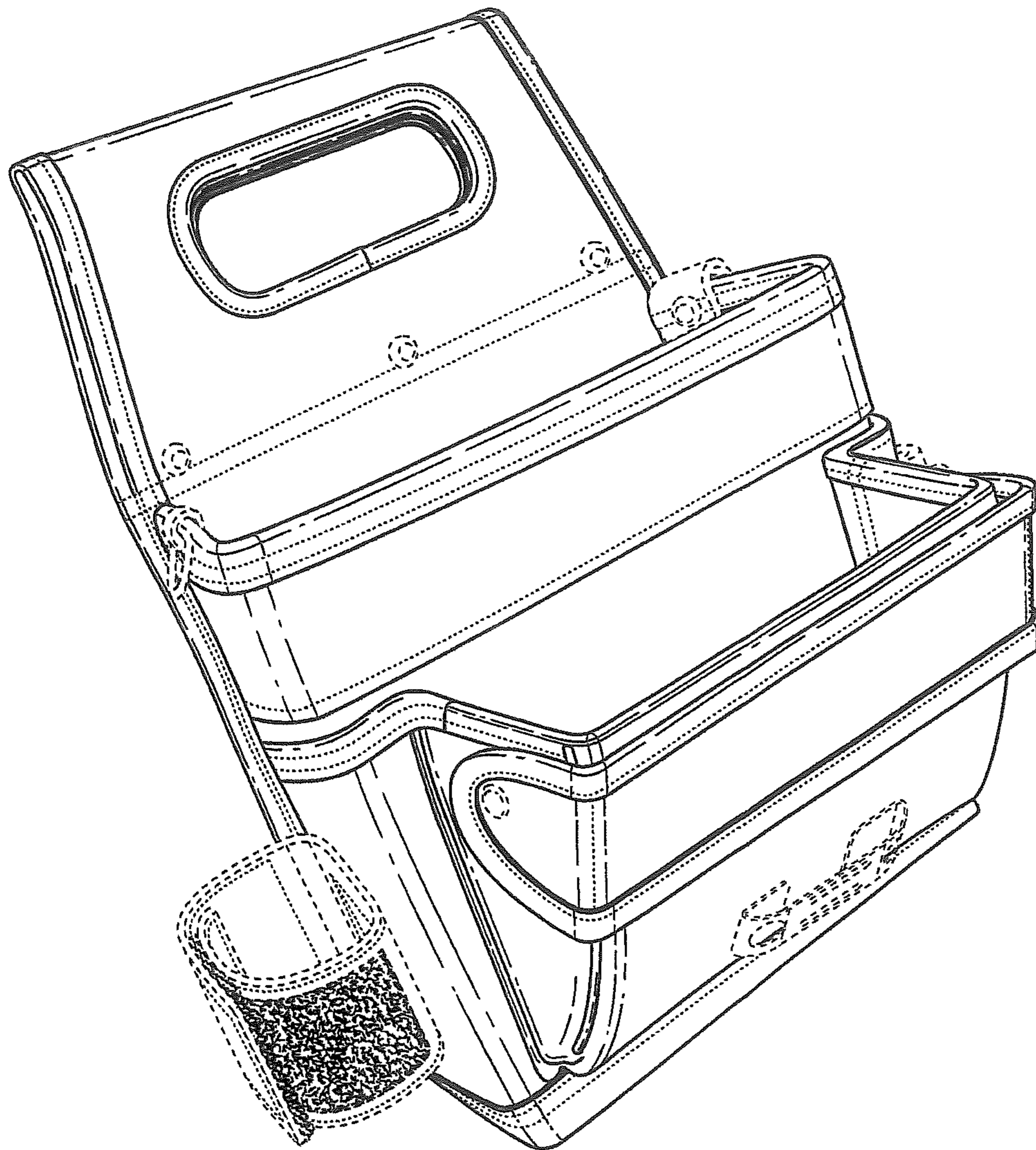


FIG. 1

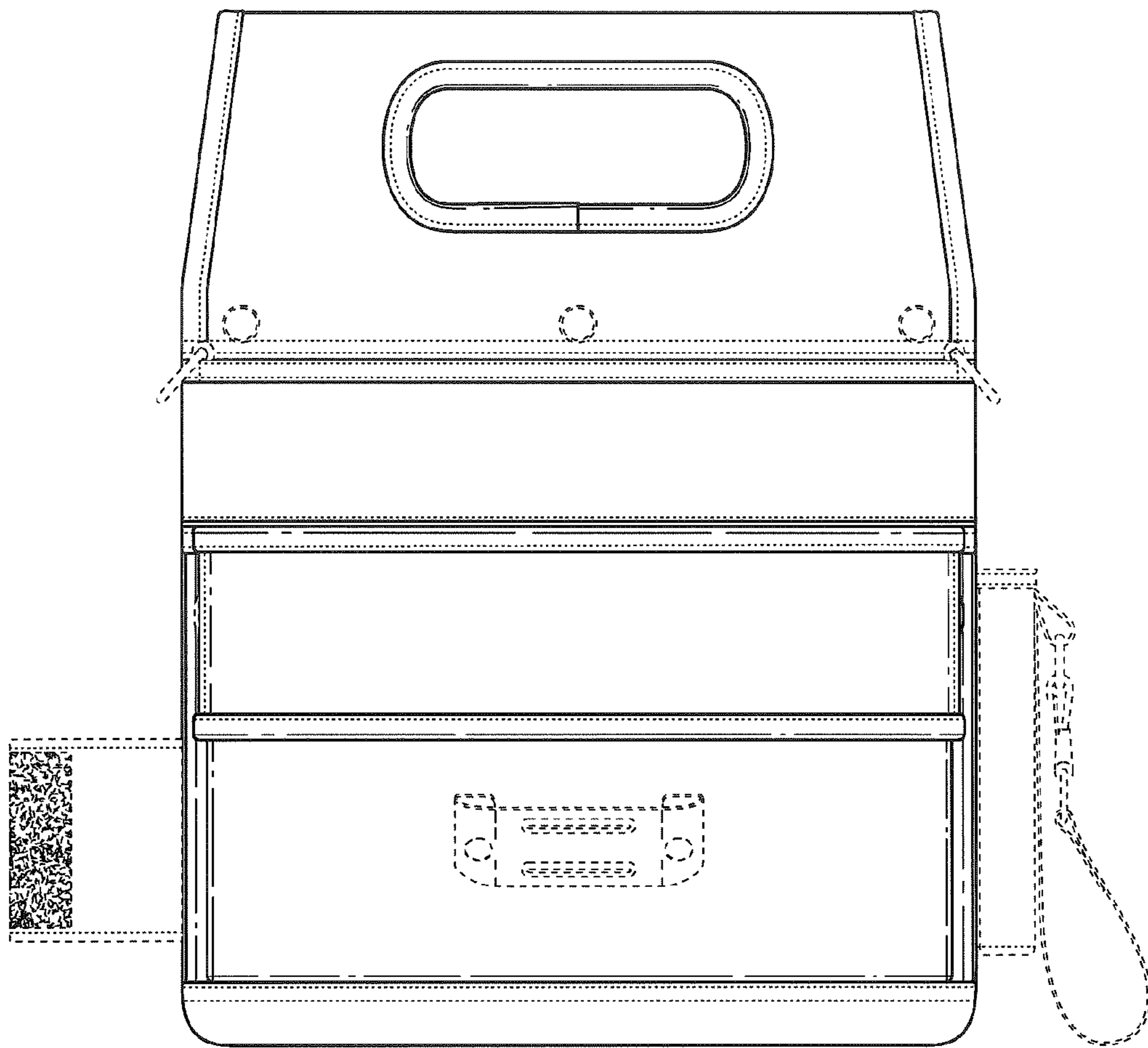


FIG. 2

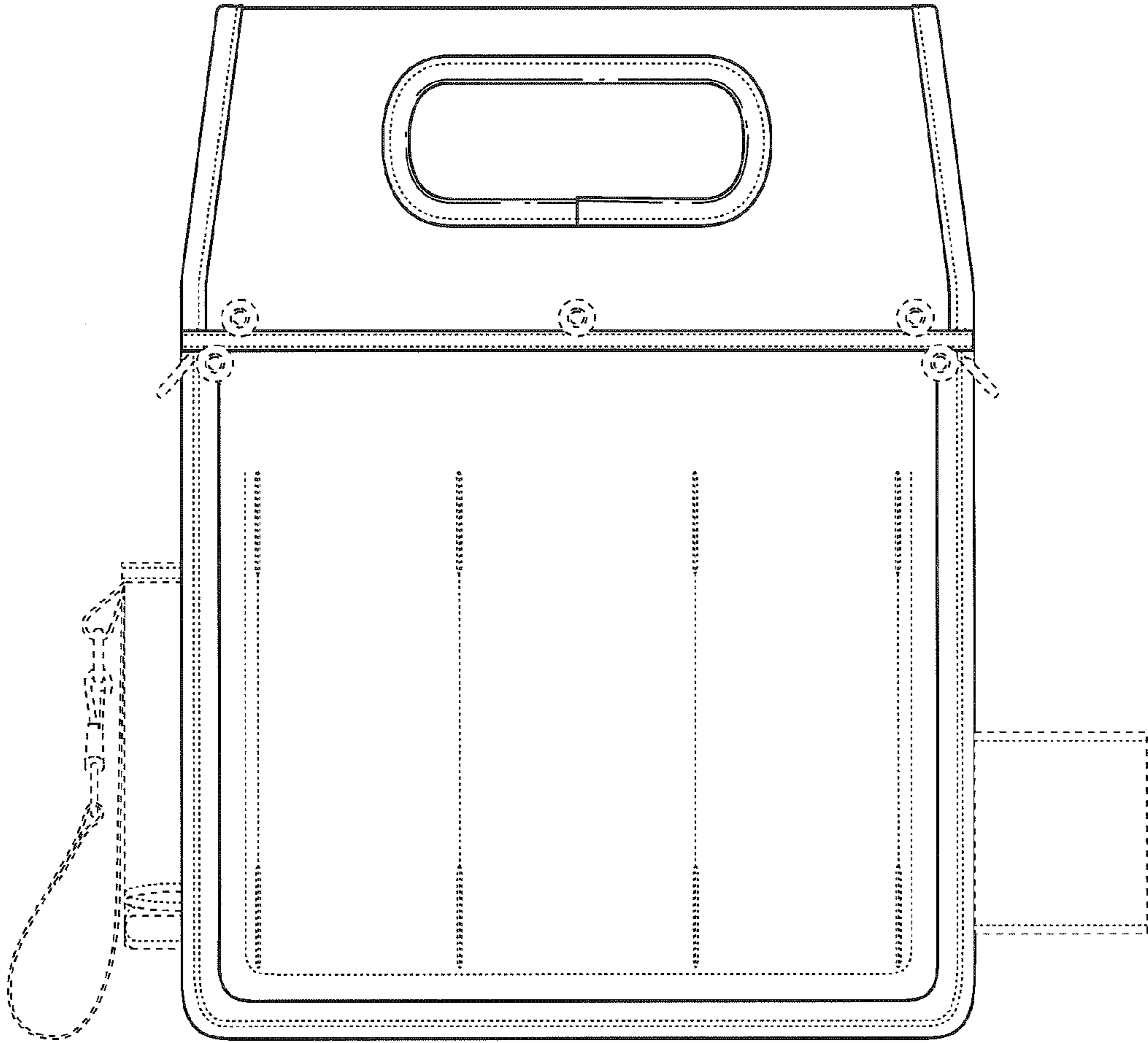


FIG. 3

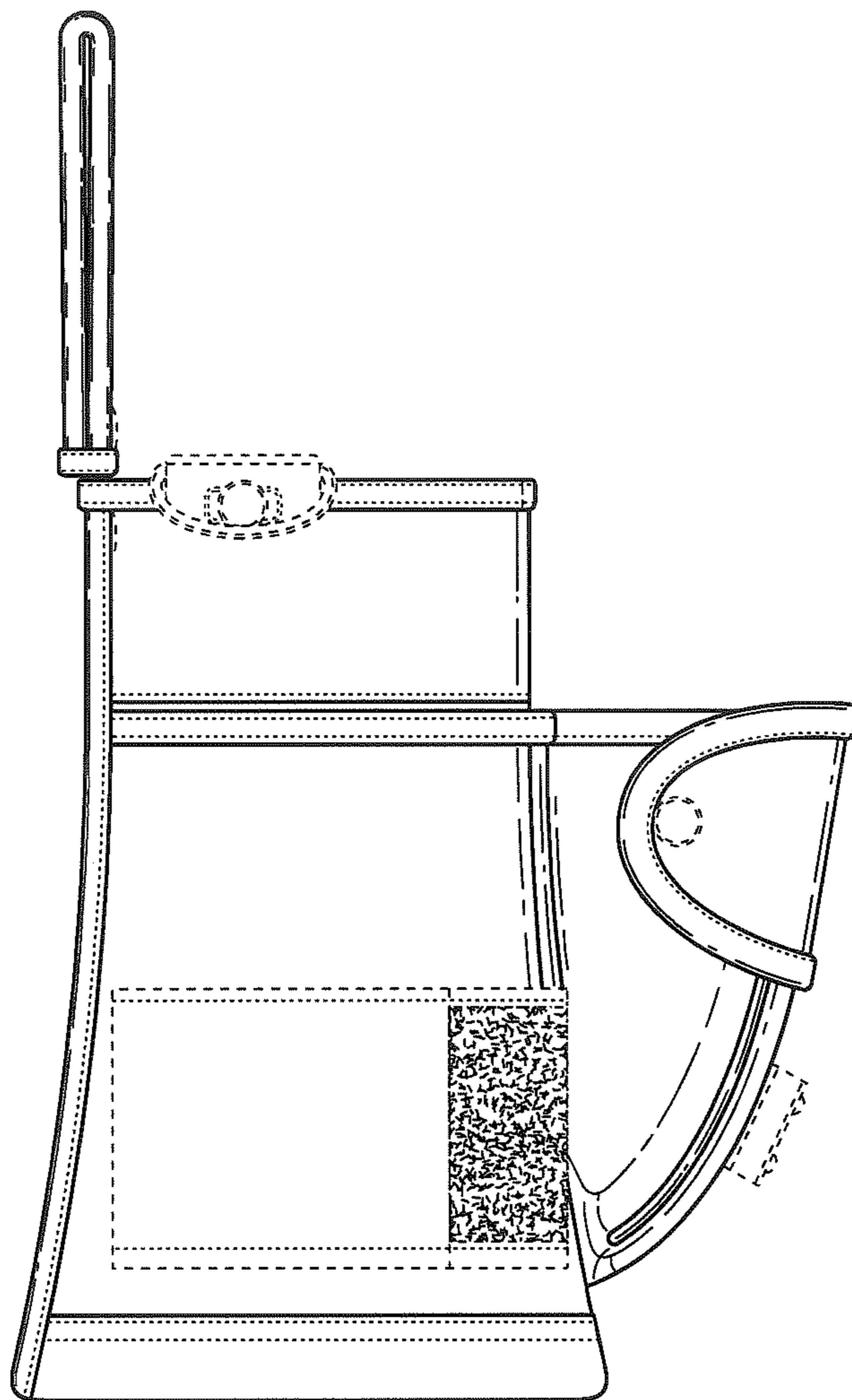


FIG. 4

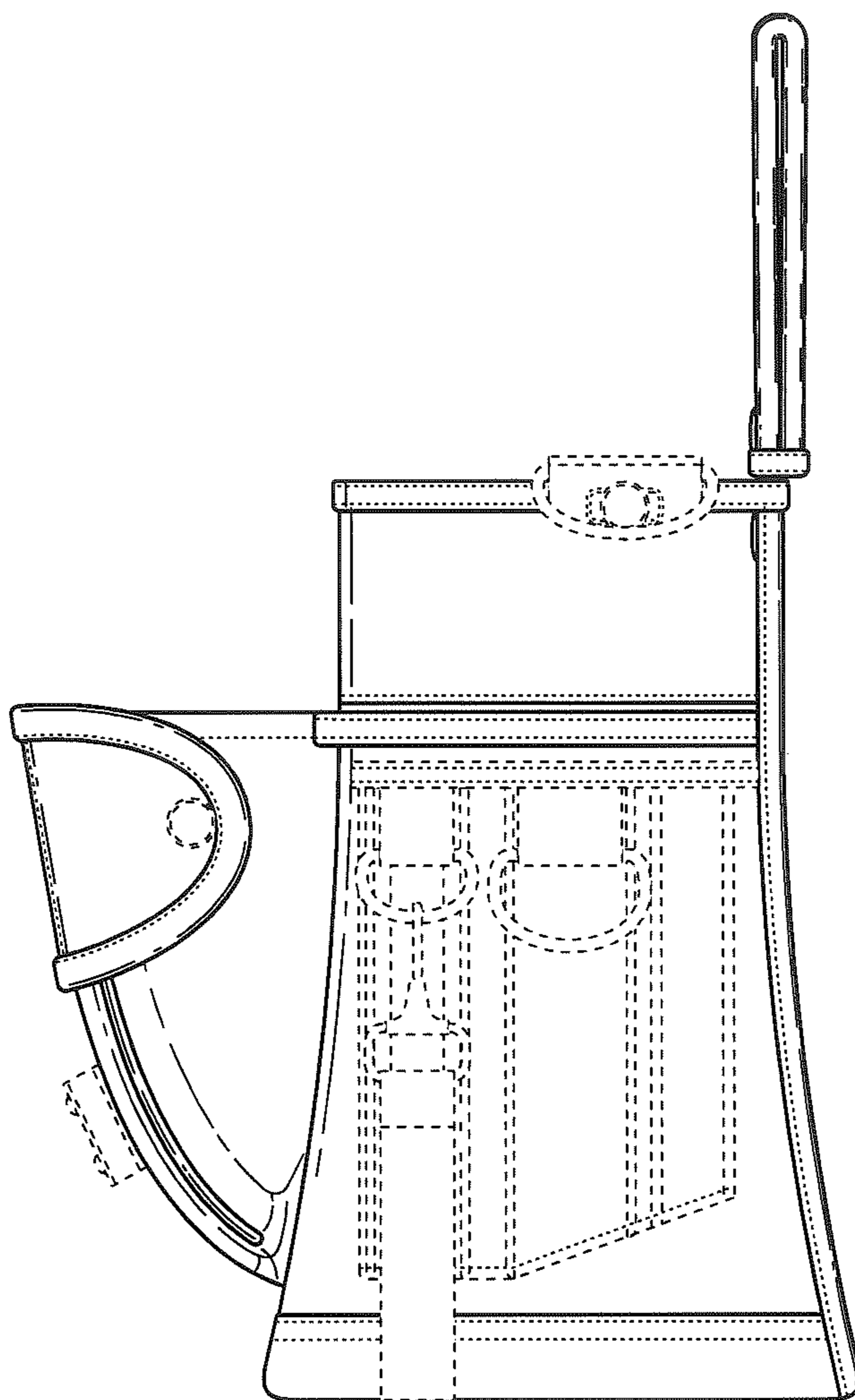


FIG. 5

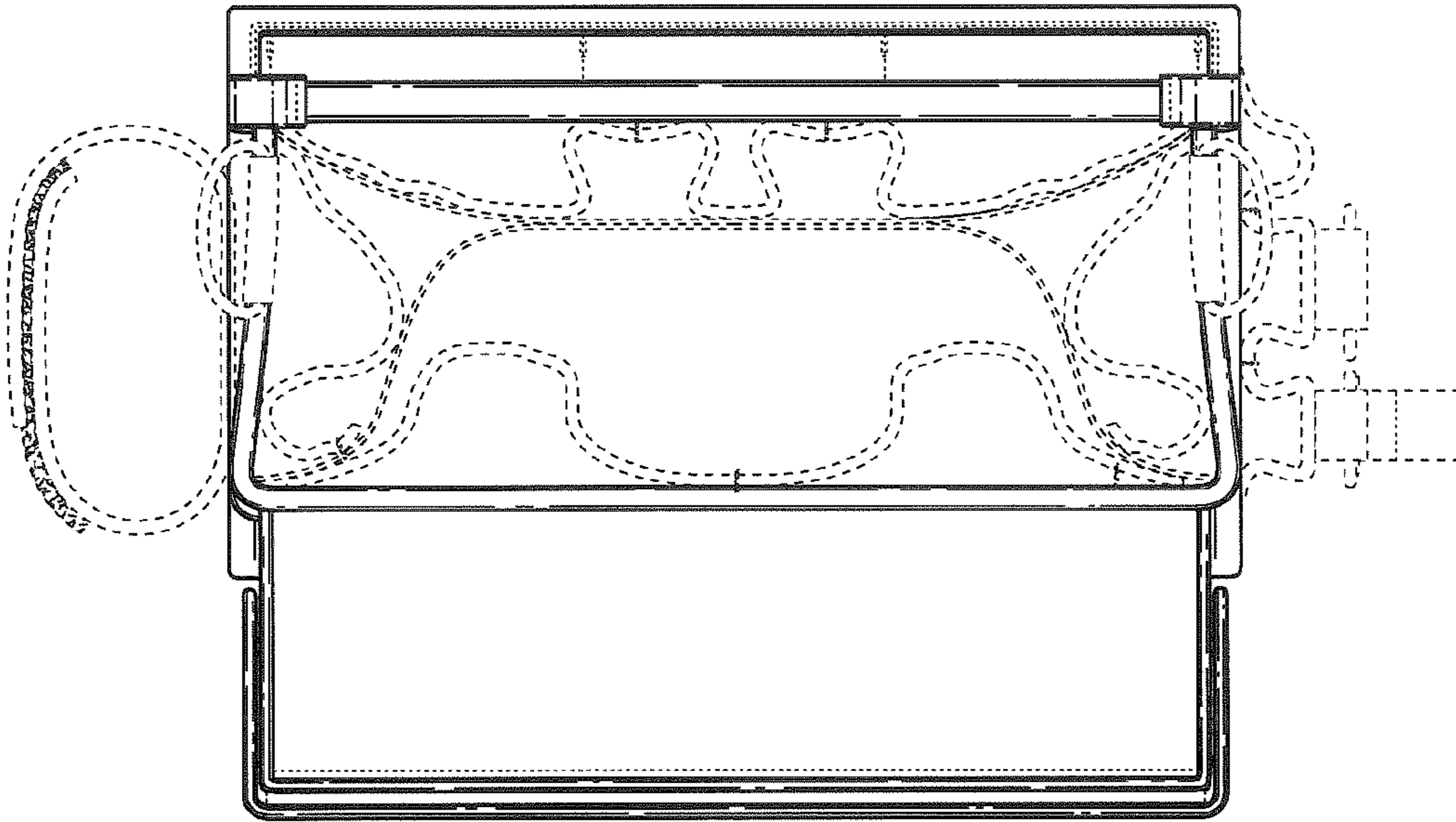


FIG. 6

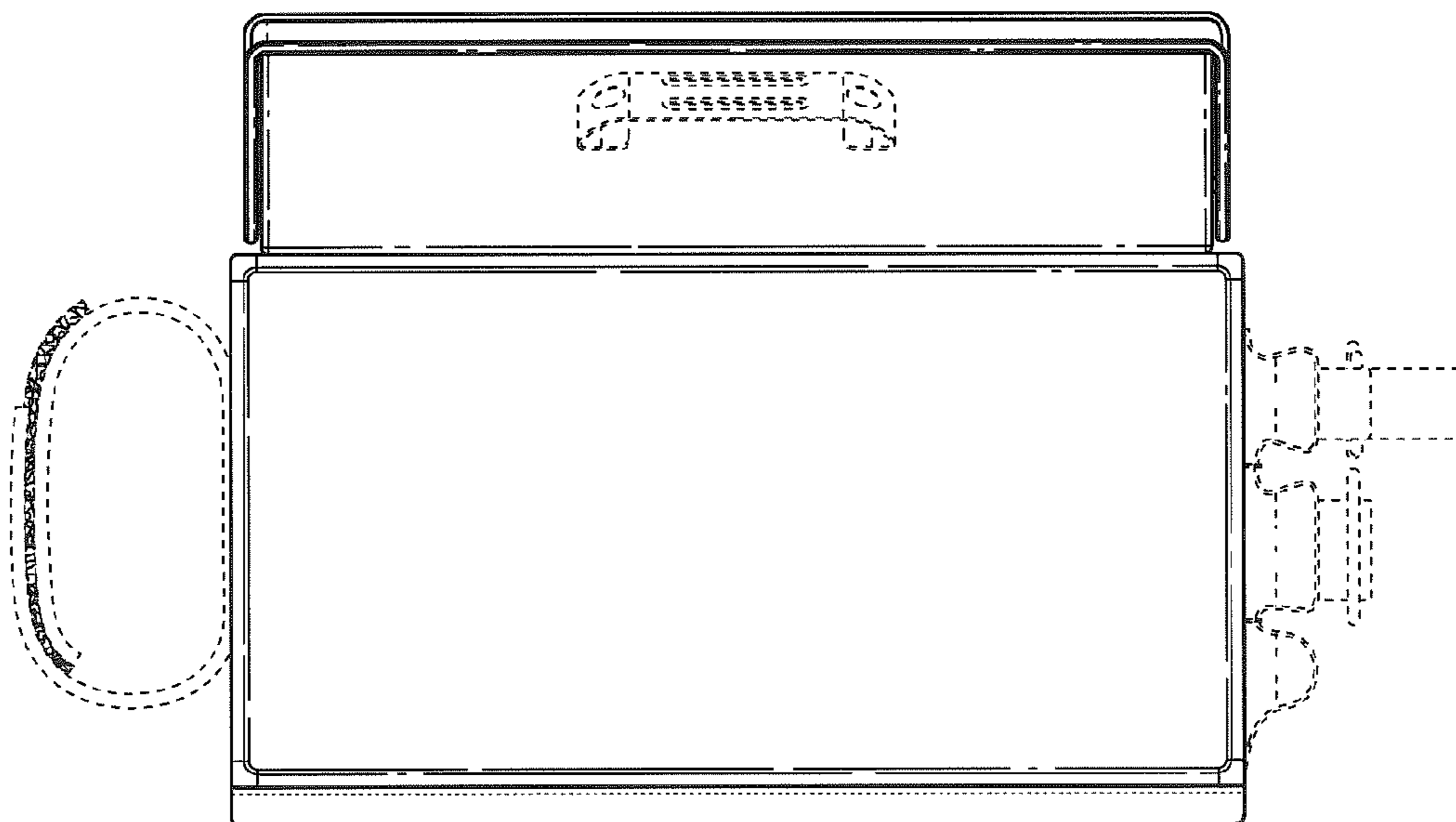


FIG. 7

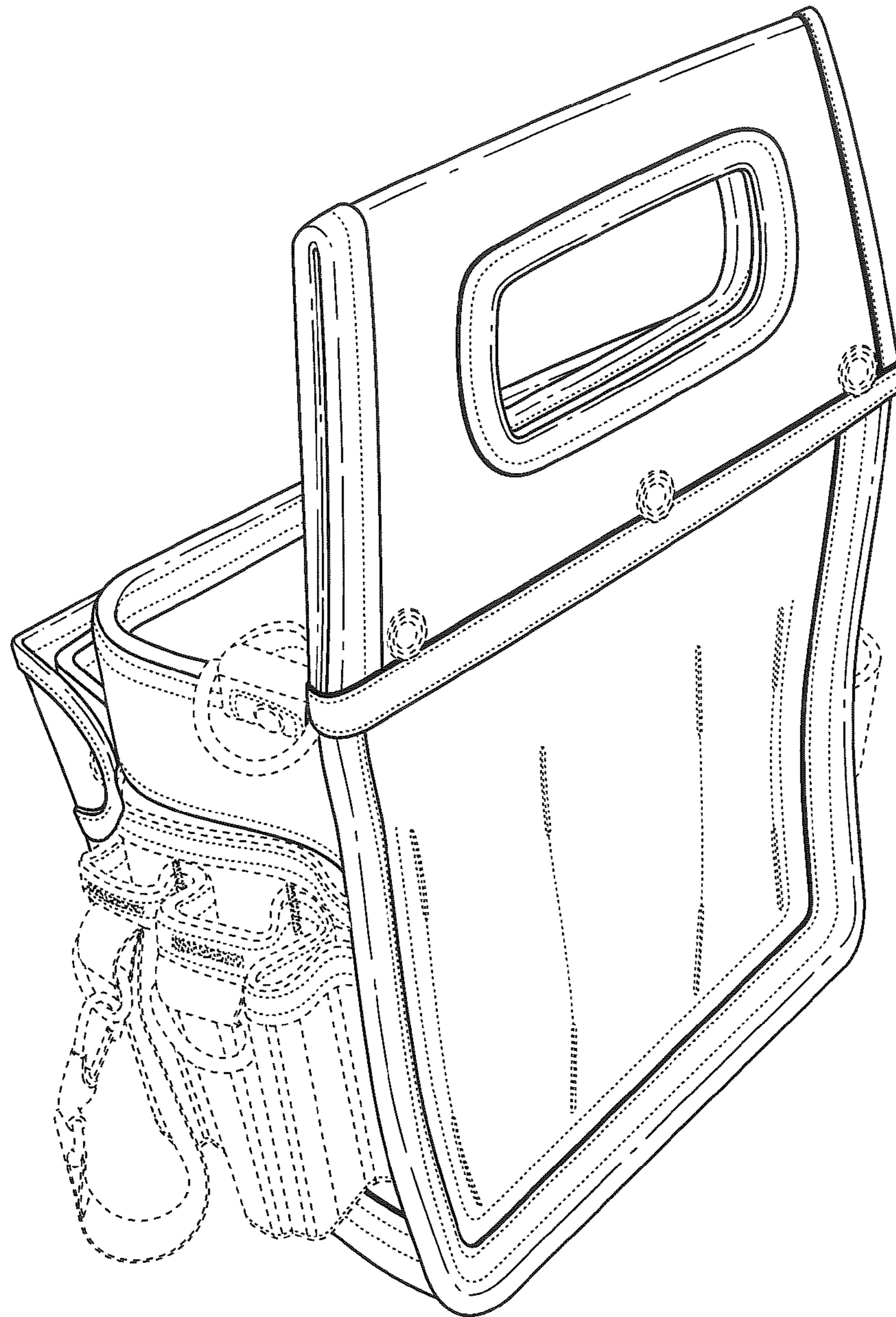


FIG. 8



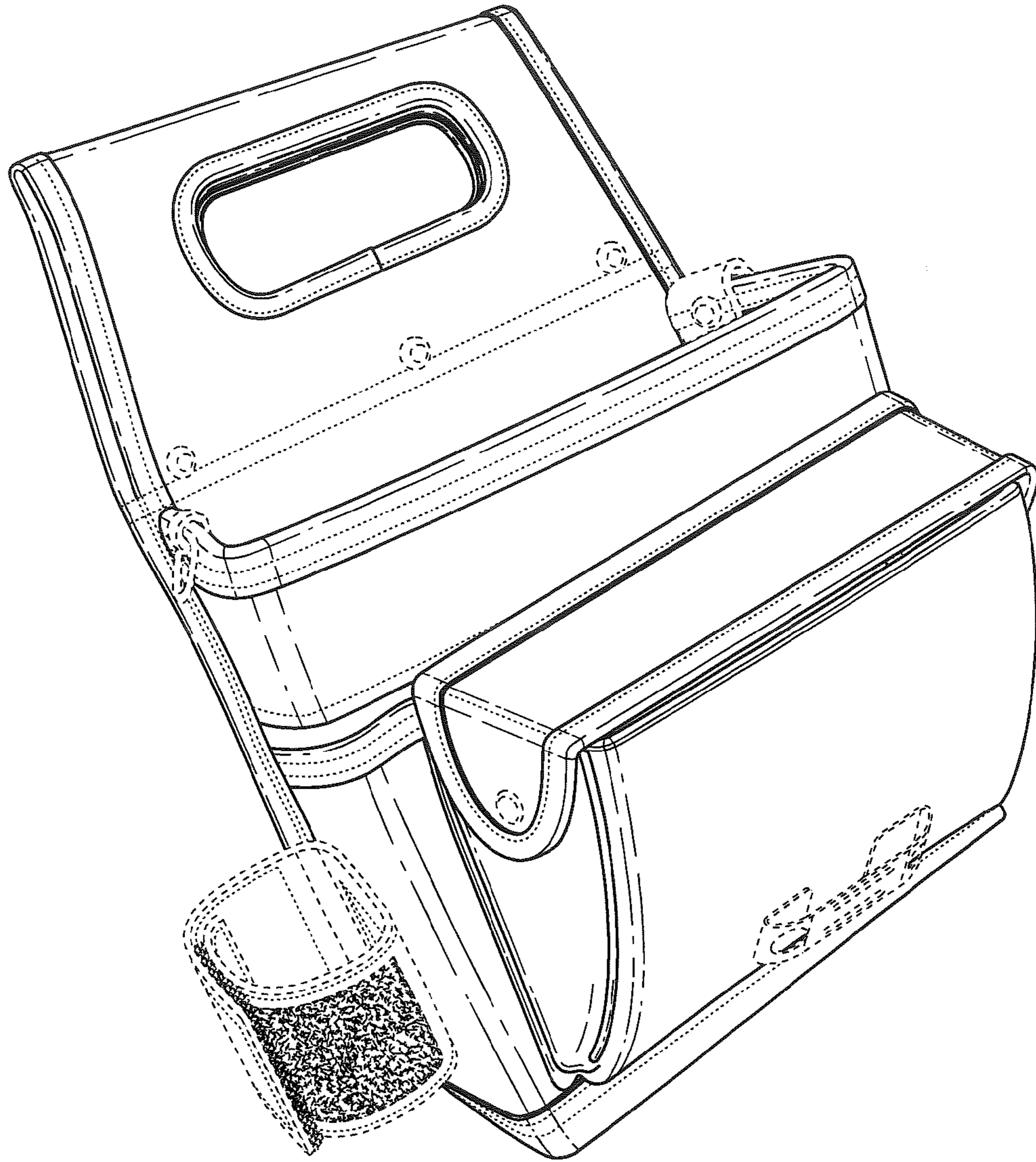


FIG. 9

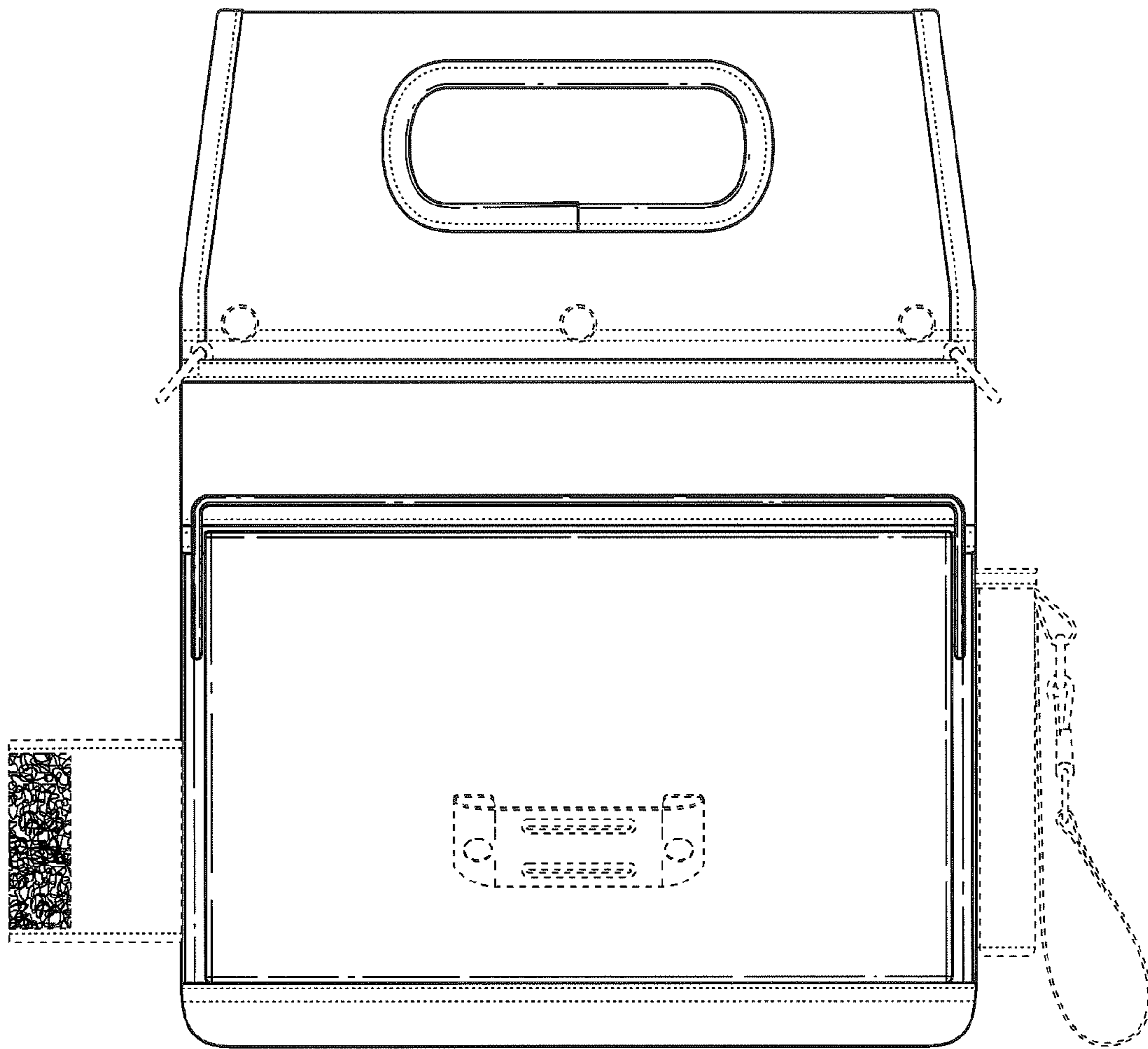


FIG. 10

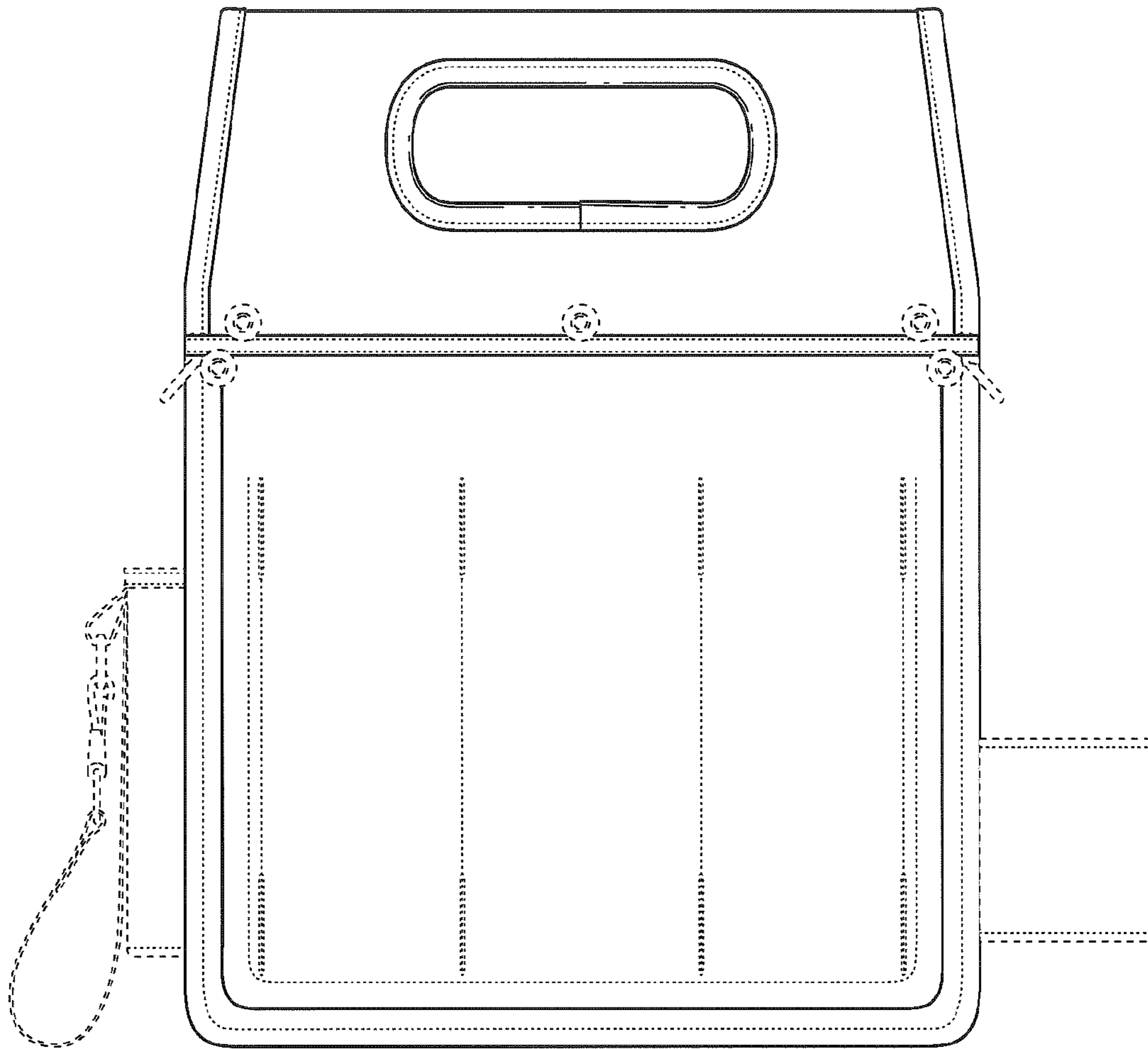


FIG. 11

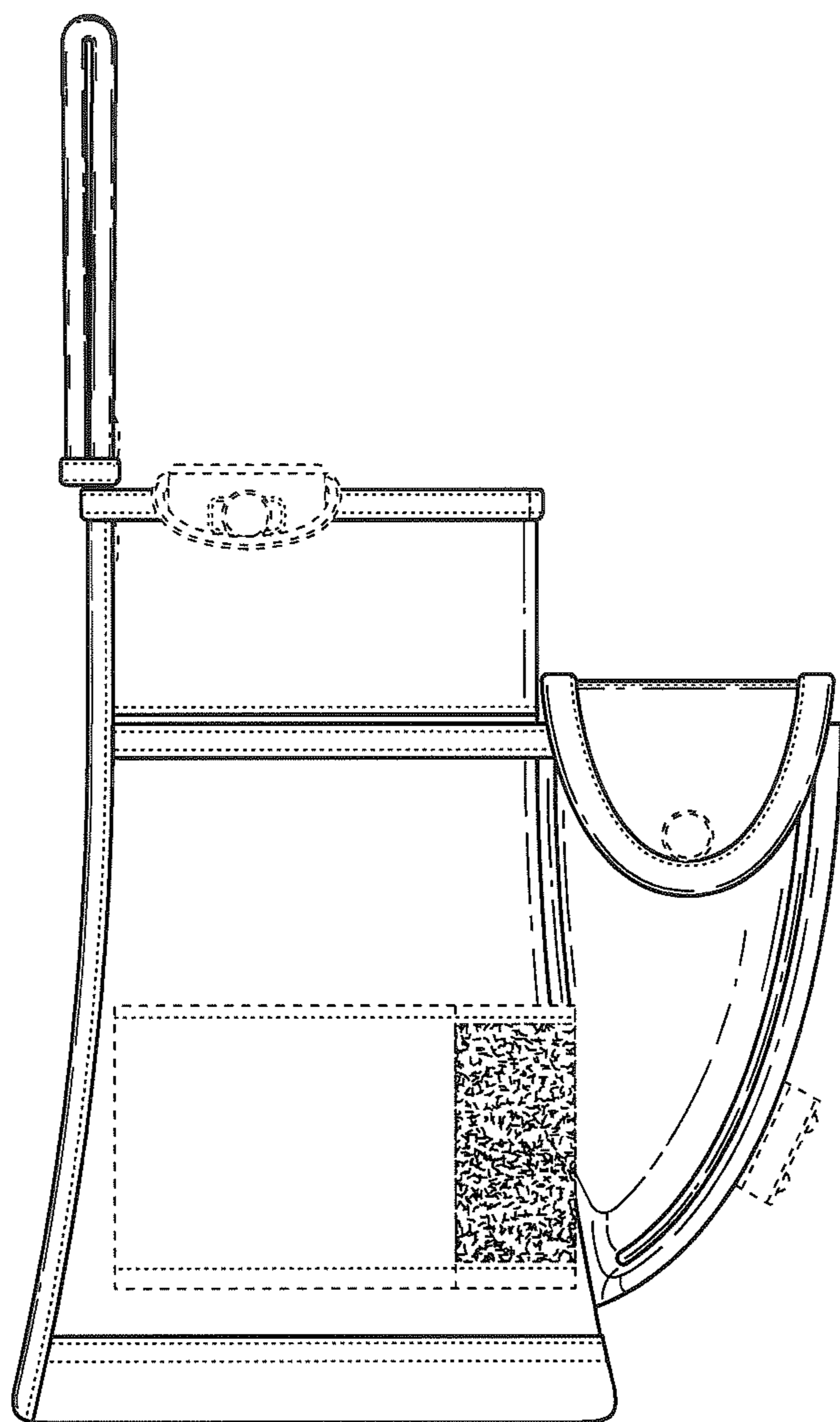


FIG. 12

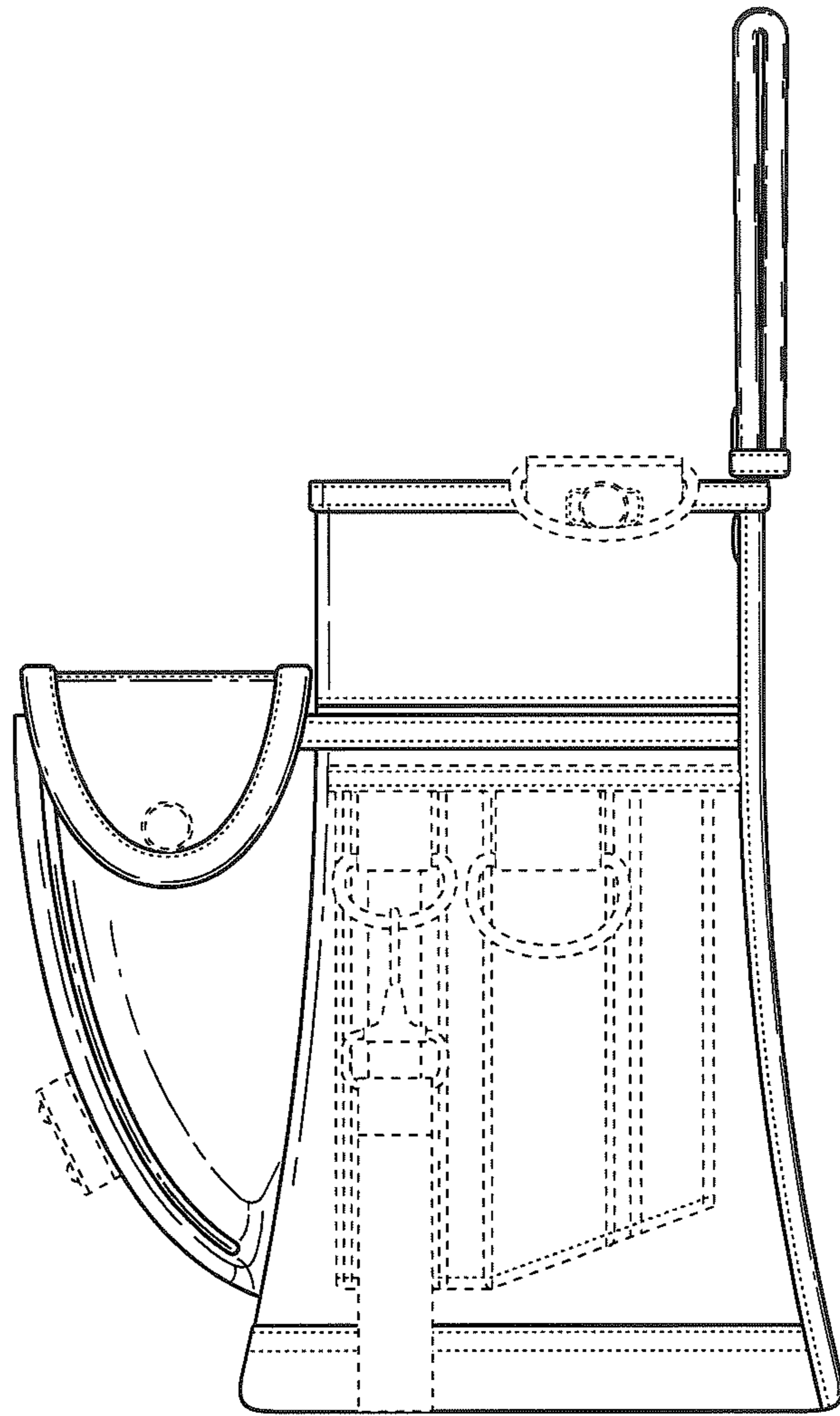


FIG. 13

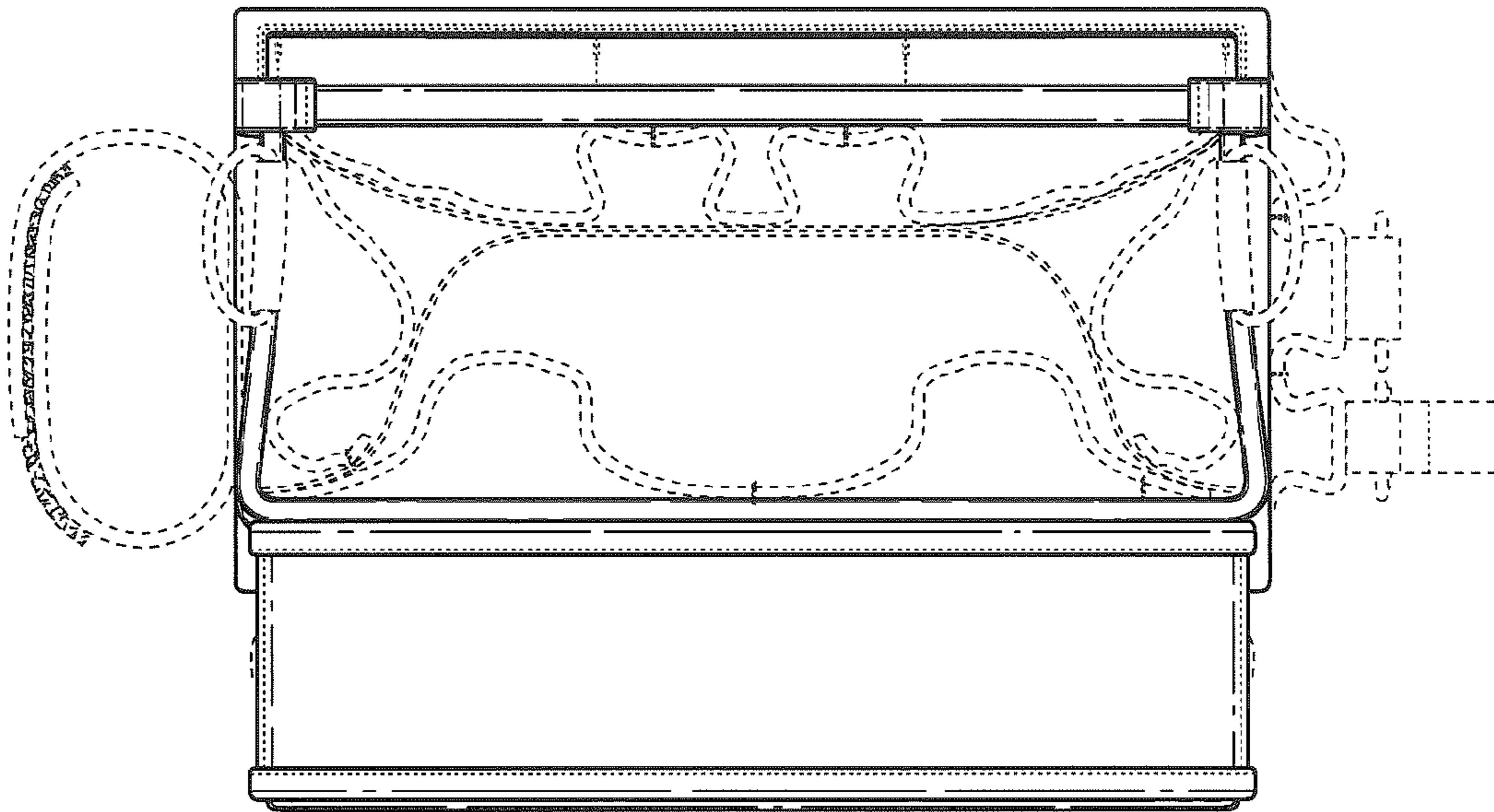


FIG. 14

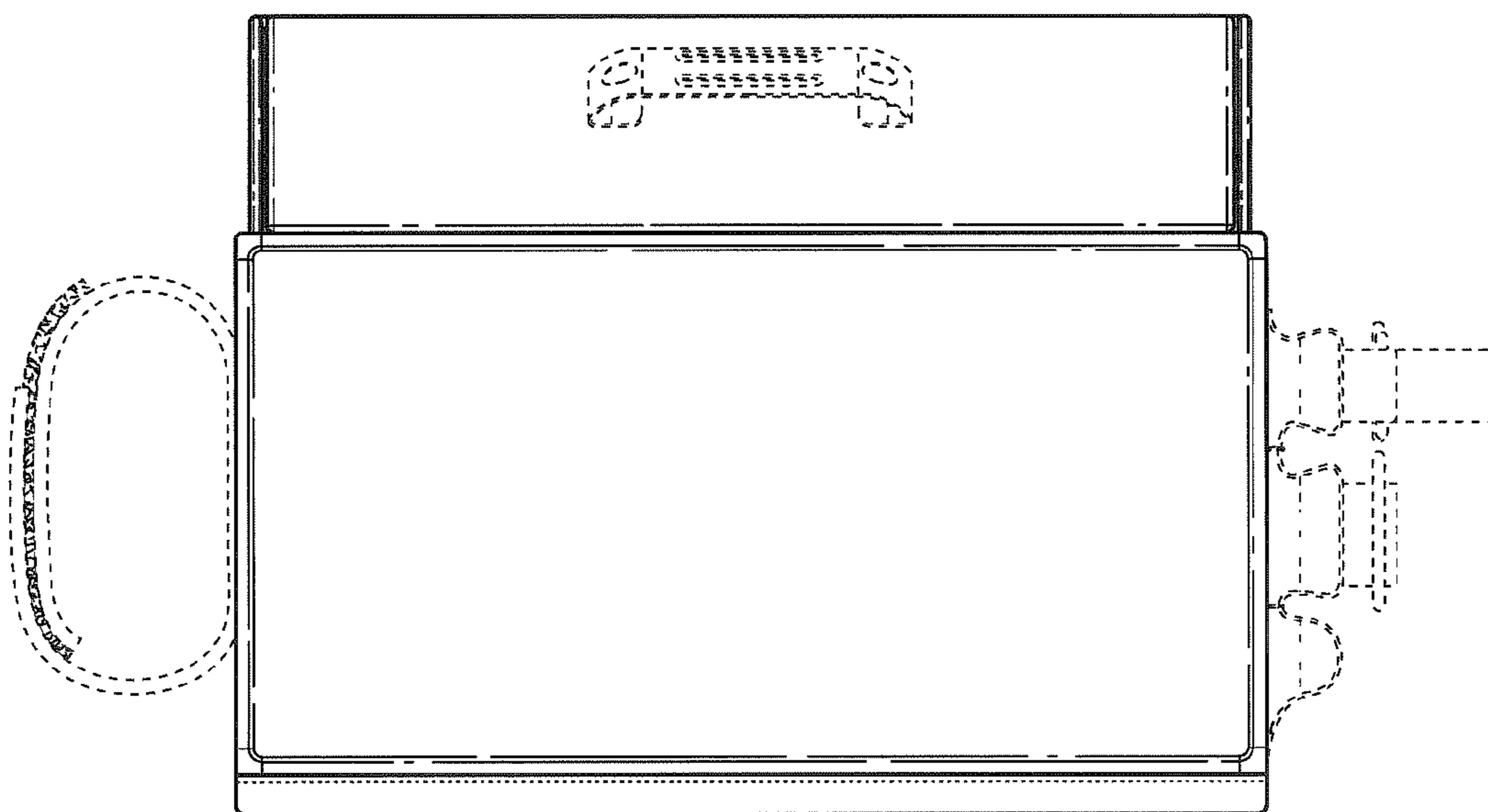


FIG. 15

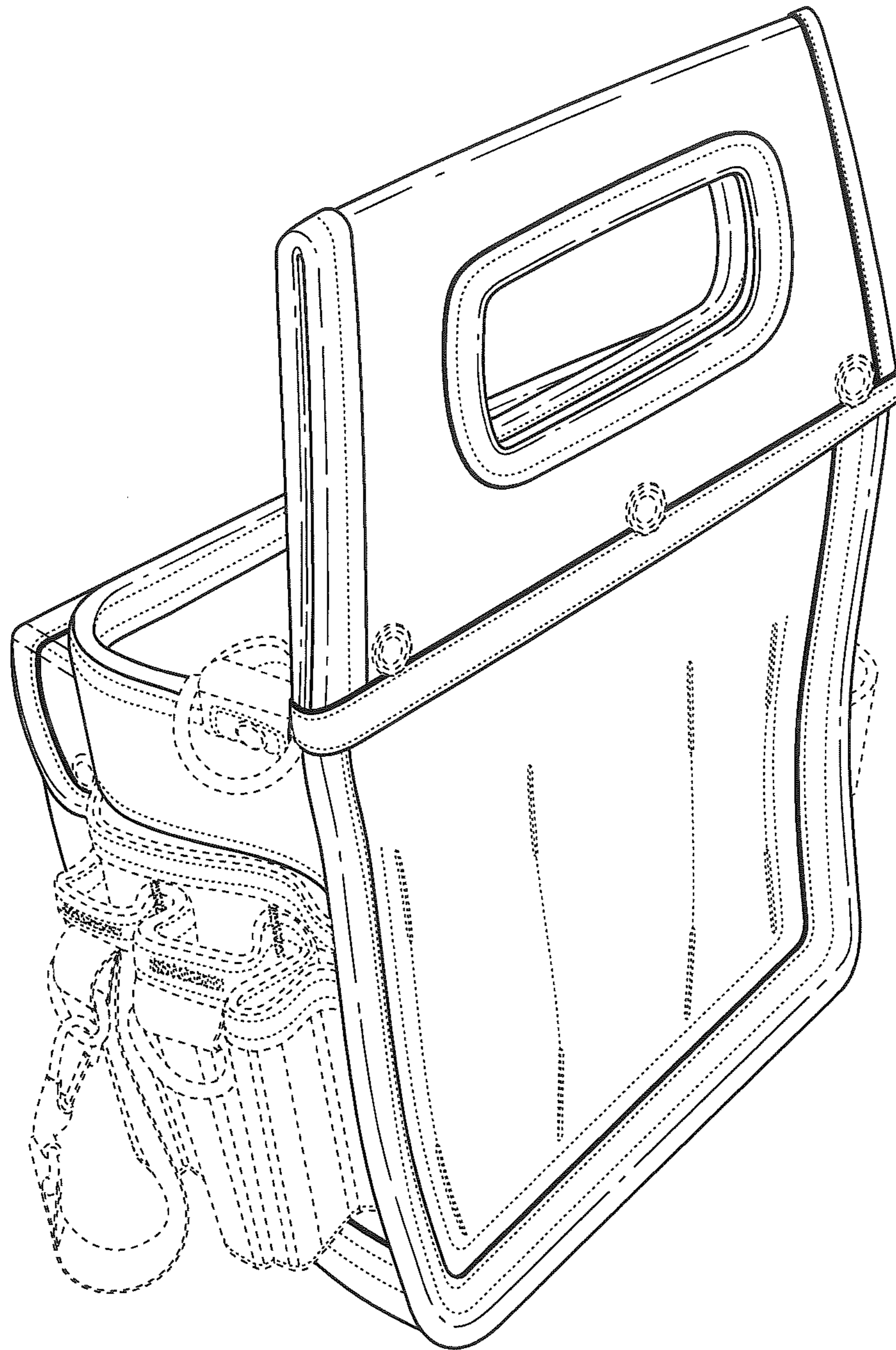


FIG. 16