



US00D723796S

(12) **United States Design Patent**  
**Resca**

(10) **Patent No.:** **US D723,796 S**  
(45) **Date of Patent:** **\*\* Mar. 10, 2015**

(54) **HOLSTER**  
(71) Applicant: **Franco Resca**, Kilnerpark (ZA)  
(72) Inventor: **Franco Resca**, Kilnerpark (ZA)  
(73) Assignee: **Franco Resca**, Kilnerpark (ZA)  
(\*\*) Term: **14 Years**  
(21) Appl. No.: **29/489,090**

5,570,830 A \* 11/1996 Nichols ..... 224/676  
D651,792 S \* 1/2012 Holiwell ..... D3/222  
8,235,263 B1 \* 8/2012 Yeates et al. .... 224/243

\* cited by examiner

*Primary Examiner* — Catheri Oliver-Garcia  
(74) *Attorney, Agent, or Firm* — Myers Bigel Sibley & Sajovec

(22) Filed: **Apr. 25, 2014**  
(51) **LOC (10) Cl.** ..... **03-01**  
(52) **U.S. Cl.**  
USPC ..... **D3/222**  
(58) **Field of Classification Search**  
USPC ..... D3/222–223, 220; 224/192–193, 198,  
224/243–244, 676–677, 679, 911–912  
See application file for complete search history.

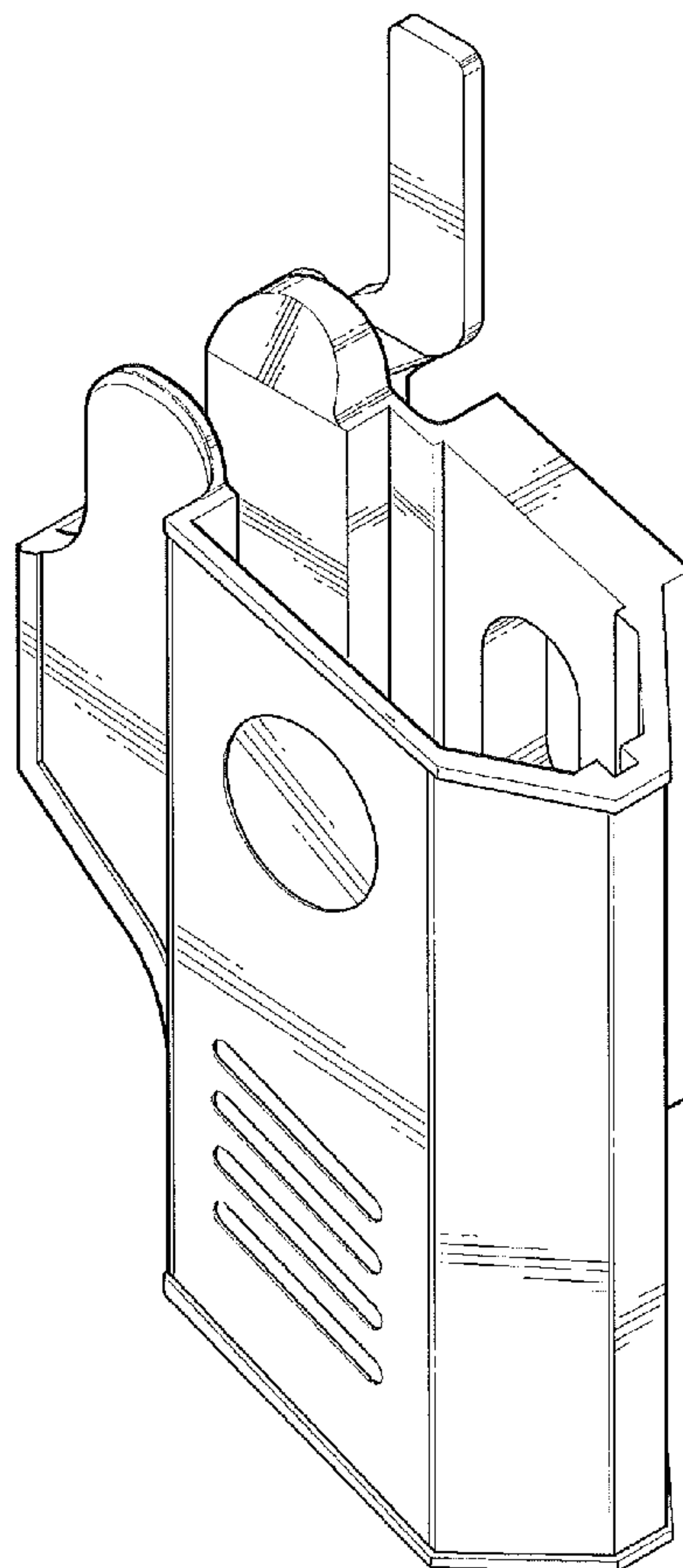
(57) **CLAIM**  
The ornamental design for a holster, as shown and described.

**DESCRIPTION**

FIG. 1 is a front perspective view of a holster, showing my new design;  
FIG. 2 is a rear perspective view thereof;  
FIG. 3 is a front elevation view thereof;  
FIG. 4 is a rear elevation view thereof, opposite the view shown in FIG. 3;  
FIG. 5 is a side view thereof;  
FIG. 6 is a side view thereof, opposite the view shown in FIG. 5;  
FIG. 7 is a top view thereof; and,  
FIG. 8 is a bottom view thereof, opposite the view shown in FIG. 7.

(56) **References Cited**  
U.S. PATENT DOCUMENTS  
4,846,384 A \* 7/1989 Perry ..... 224/244  
5,100,036 A \* 3/1992 Rogers et al. .... 224/244  
5,551,611 A \* 9/1996 Gilmore ..... 224/198

**1 Claim, 6 Drawing Sheets**



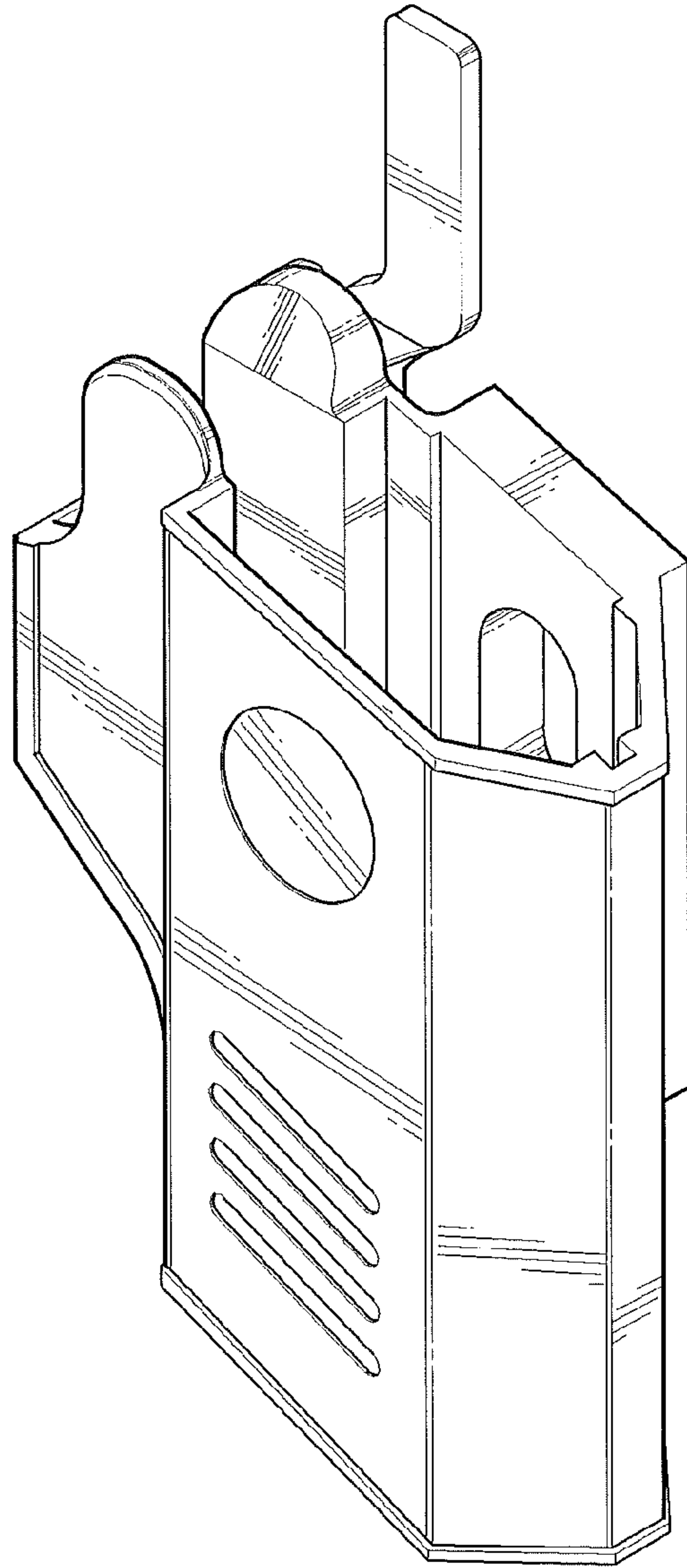


FIGURE 1

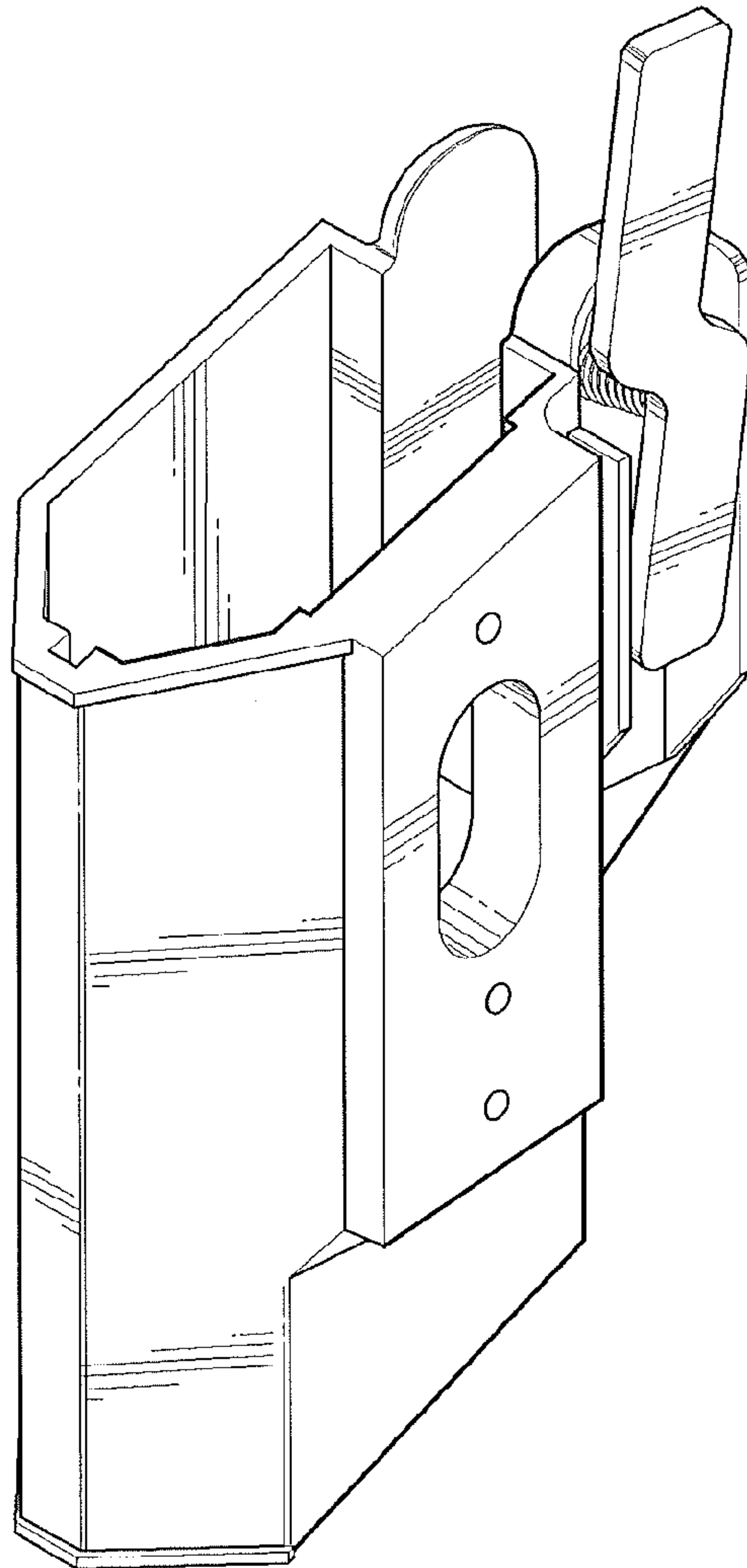


FIGURE 2

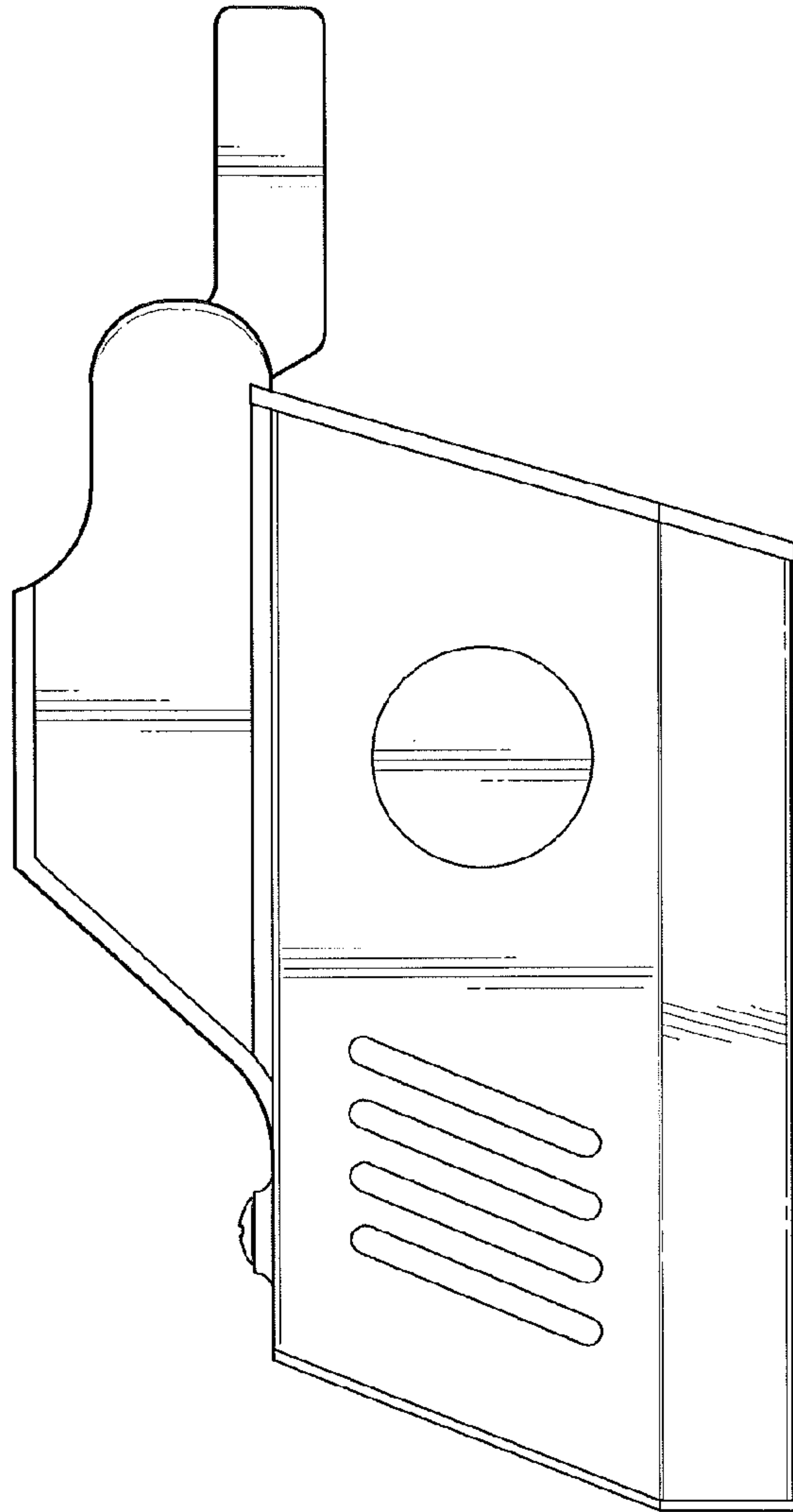


FIGURE 3

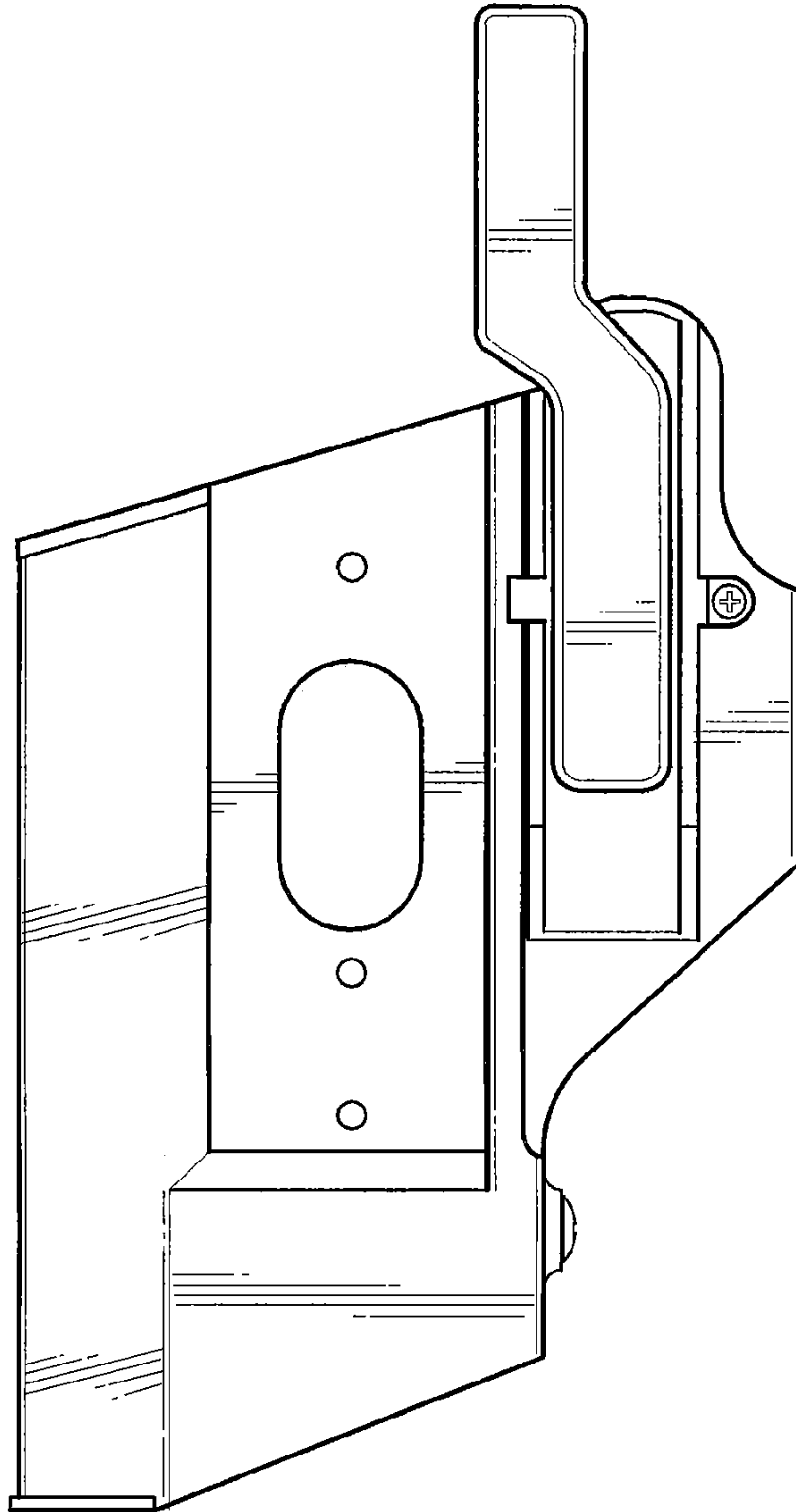


FIG 4

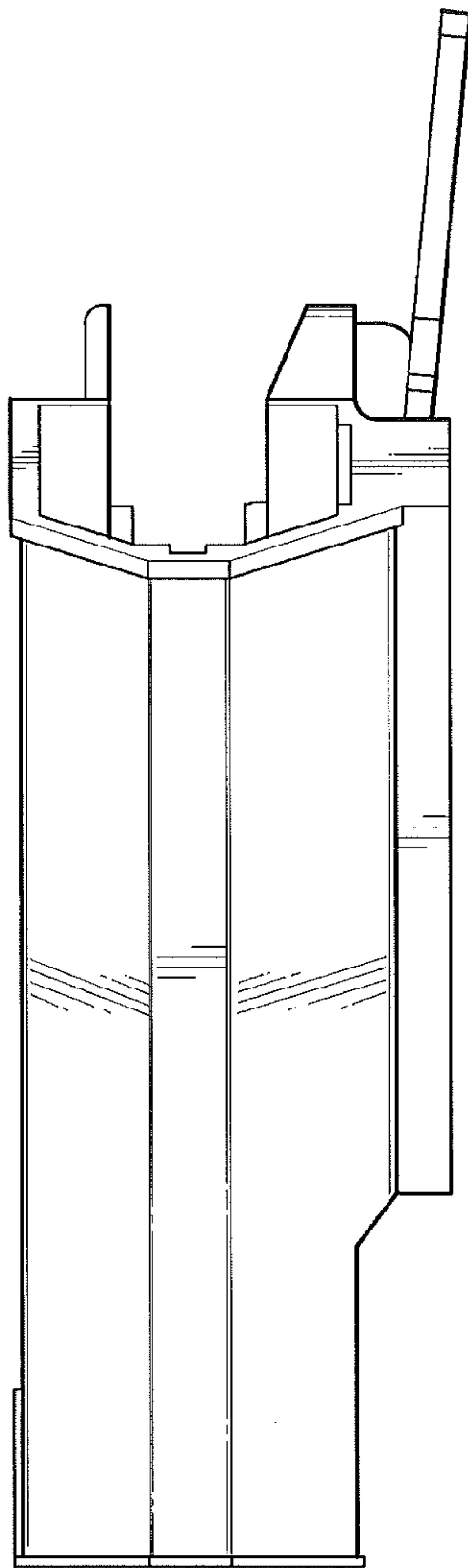


FIGURE 5

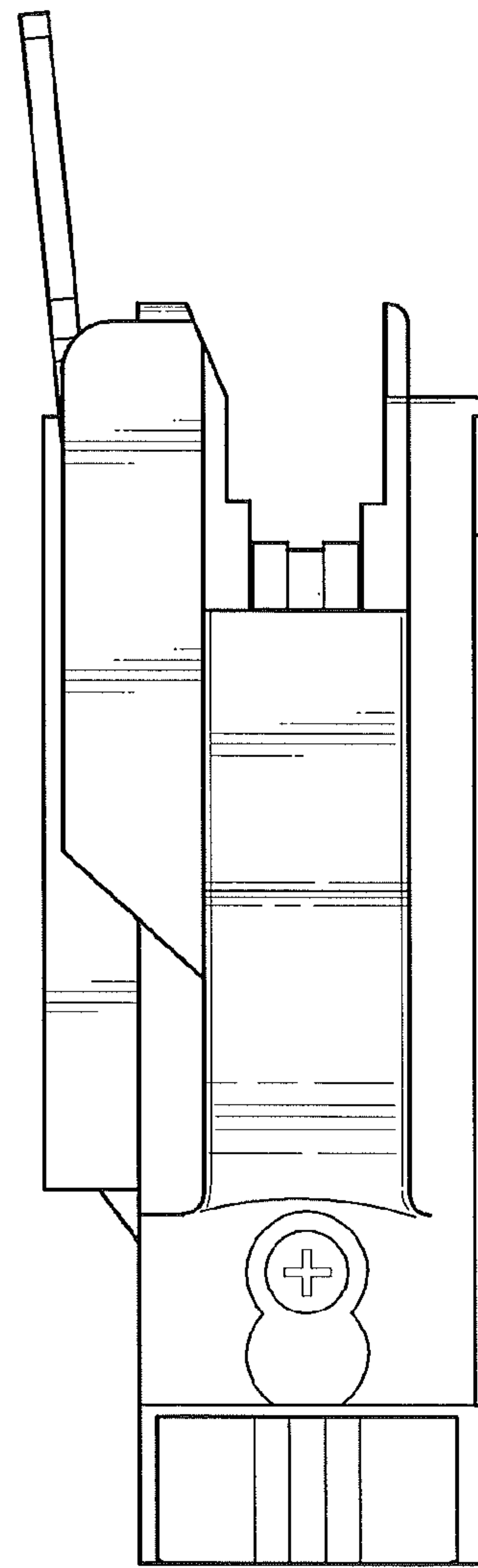


FIGURE 6

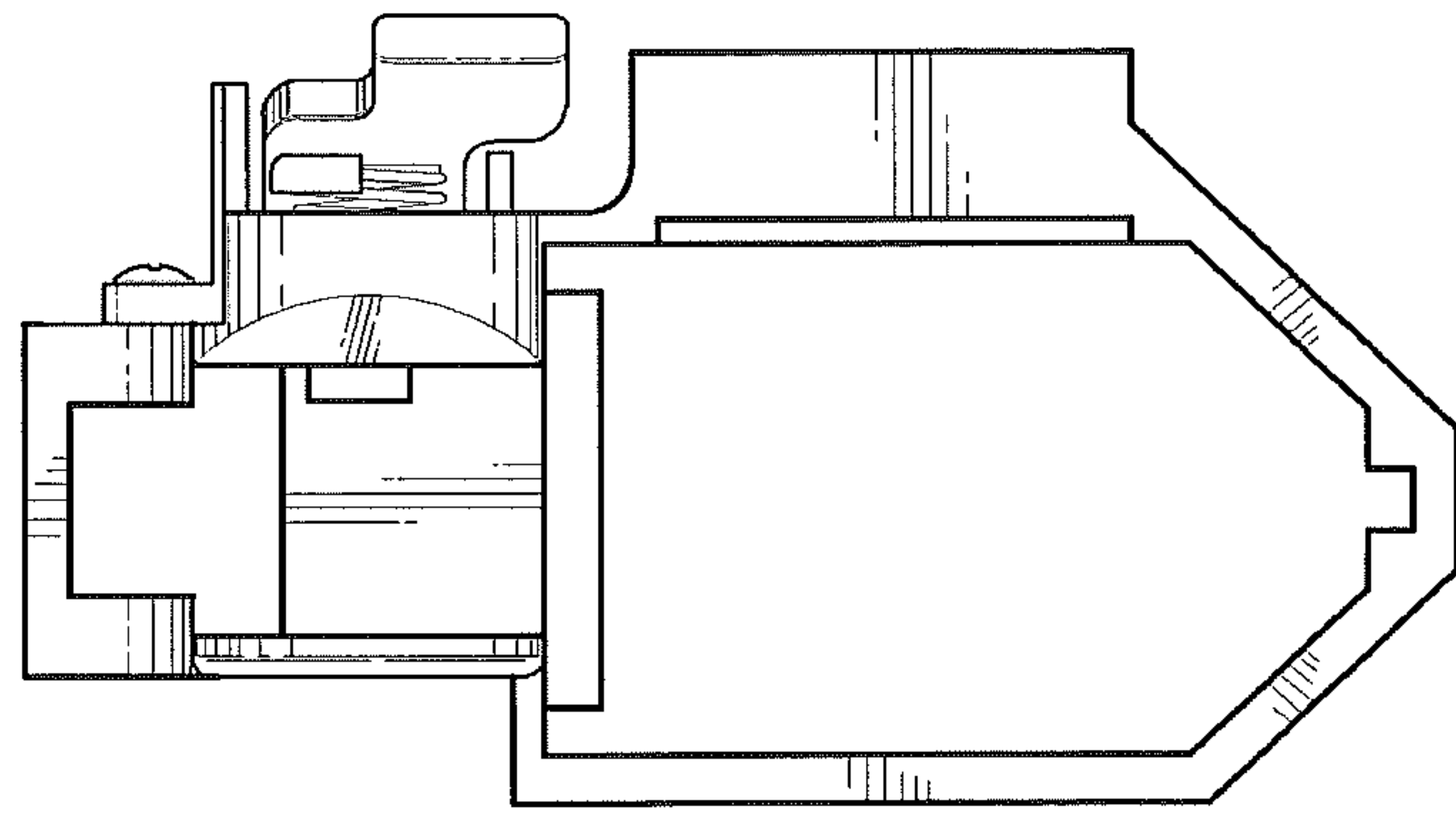


FIGURE 7

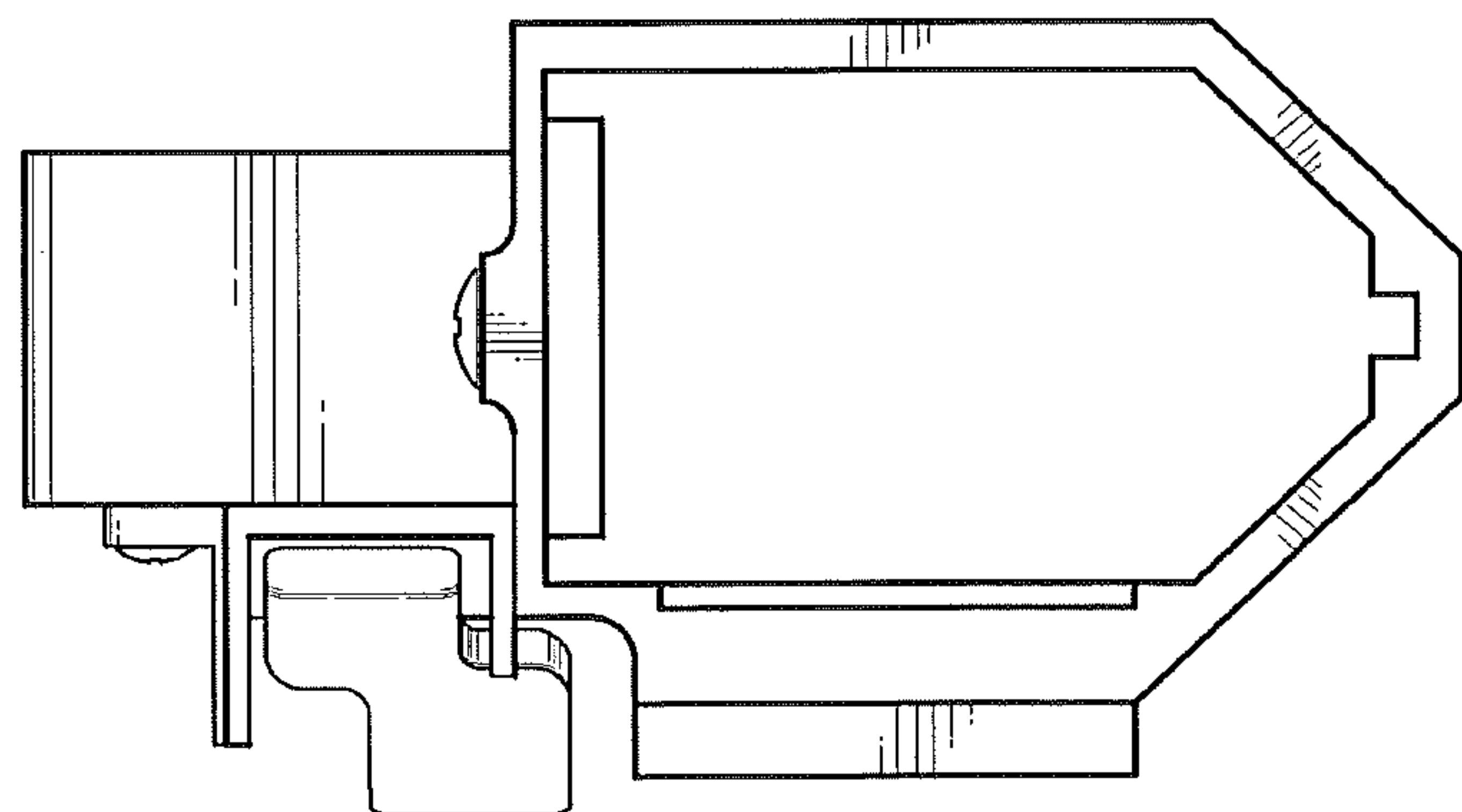


FIGURE 8

UNITED STATES PATENT AND TRADEMARK OFFICE  
**CERTIFICATE OF CORRECTION**

PATENT NO. : D723,796 S  
APPLICATION NO. : 29/489090  
DATED : March 10, 2015  
INVENTOR(S) : Resca

Page 1 of 1

It is certified that error appears in the above-identified patent and that said Letters Patent is hereby corrected as shown below:

On Title Page:

Item (73) Assignee: Please correct: "Franco Resco, Kilnerpark (ZA)"  
to read -- Franco Resca, Kilnerpark (ZA) --

Signed and Sealed this  
Twentieth Day of October, 2015



Michelle K. Lee  
*Director of the United States Patent and Trademark Office*