



US00D723794S

(12) **United States Design Patent**
Lai

(10) **Patent No.:** **US D723,794 S**
(45) **Date of Patent:** **** Mar. 10, 2015**

(54) **COSMETIC CASE**

(71) Applicant: **Chin-Chun Lai**, New Taipei (TW)

(72) Inventor: **Chin-Chun Lai**, New Taipei (TW)

(73) Assignee: **Chao Ling Chemical Industry Co., Ltd.**, New Taipei (TW)

(**) Term: **14 Years**

(21) Appl. No.: **29/480,568**

(22) Filed: **Jan. 28, 2014**

(51) **LOC (10) Cl.** **03-02**

(52) **U.S. Cl.**

USPC **D3/205**; D28/83

(58) **Field of Classification Search**

USPC D3/205, 315, 276, 284, 294–296;
D28/73–83; 206/581, 823;
132/286–318

See application file for complete search history.

(56) **References Cited**

U.S. PATENT DOCUMENTS

D331,148 S	*	11/1992	Curry	D3/284
D351,727 S	*	10/1994	Tarozzi	D3/276
D576,769 S	*	9/2008	McGarity	D28/73
D618,854 S	*	6/2010	Lin	D28/83
D627,519 S	*	11/2010	DeMarco	D28/83

D629,201 S	*	12/2010	Demarco	D3/294
D657,915 S	*	4/2012	Lai	D28/83
D681,939 S	*	5/2013	Johnson, Jr.	D3/205
D692,183 S	*	10/2013	Lai	D28/73
D702,888 S	*	4/2014	Dittmer et al.	D28/76

* cited by examiner

Primary Examiner — Ian Simmons

Assistant Examiner — Charles Hanson

(74) *Attorney, Agent, or Firm* — Leong C. Lei

(57) **CLAIM**

The ornamental design for cosmetic case, as shown and described.

DESCRIPTION

FIG. 1 is a perspective view of cosmetic case showing my new design;

FIG. 2 is a front elevational view thereof;

FIG. 3 is a rear elevational view thereof;

FIG. 4 is a left side elevational view thereof;

FIG. 5 is a right side elevational view thereof;

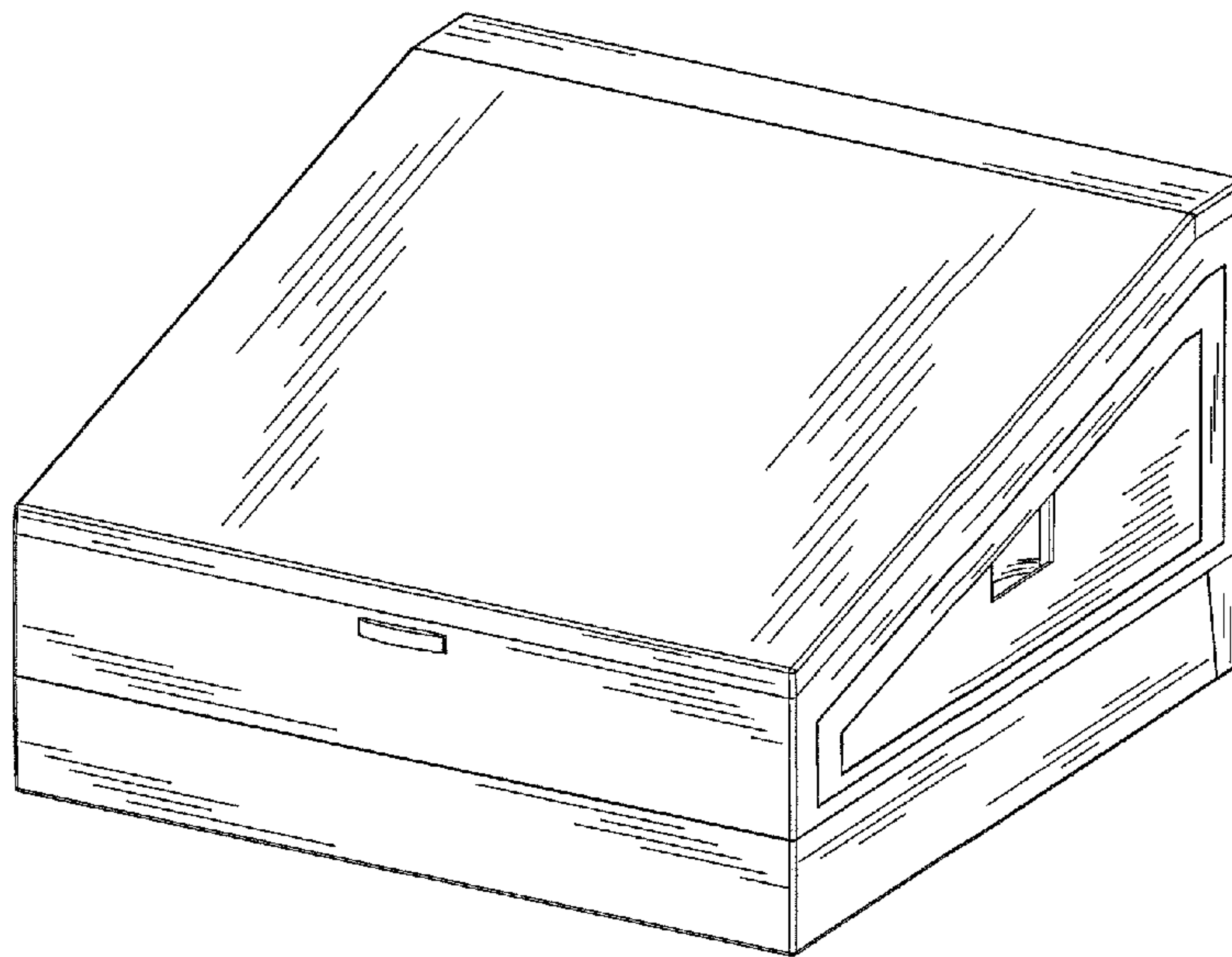
FIG. 6 is a top plan view thereof;

FIG. 7 is a bottom plan view thereof; and,

FIG. 8 is another perspective view thereof, showing the status while in use.

The dotted line showing of the internal storage compartments is for illustrative purposes only and forms no part of the claimed design.

1 Claim, 8 Drawing Sheets



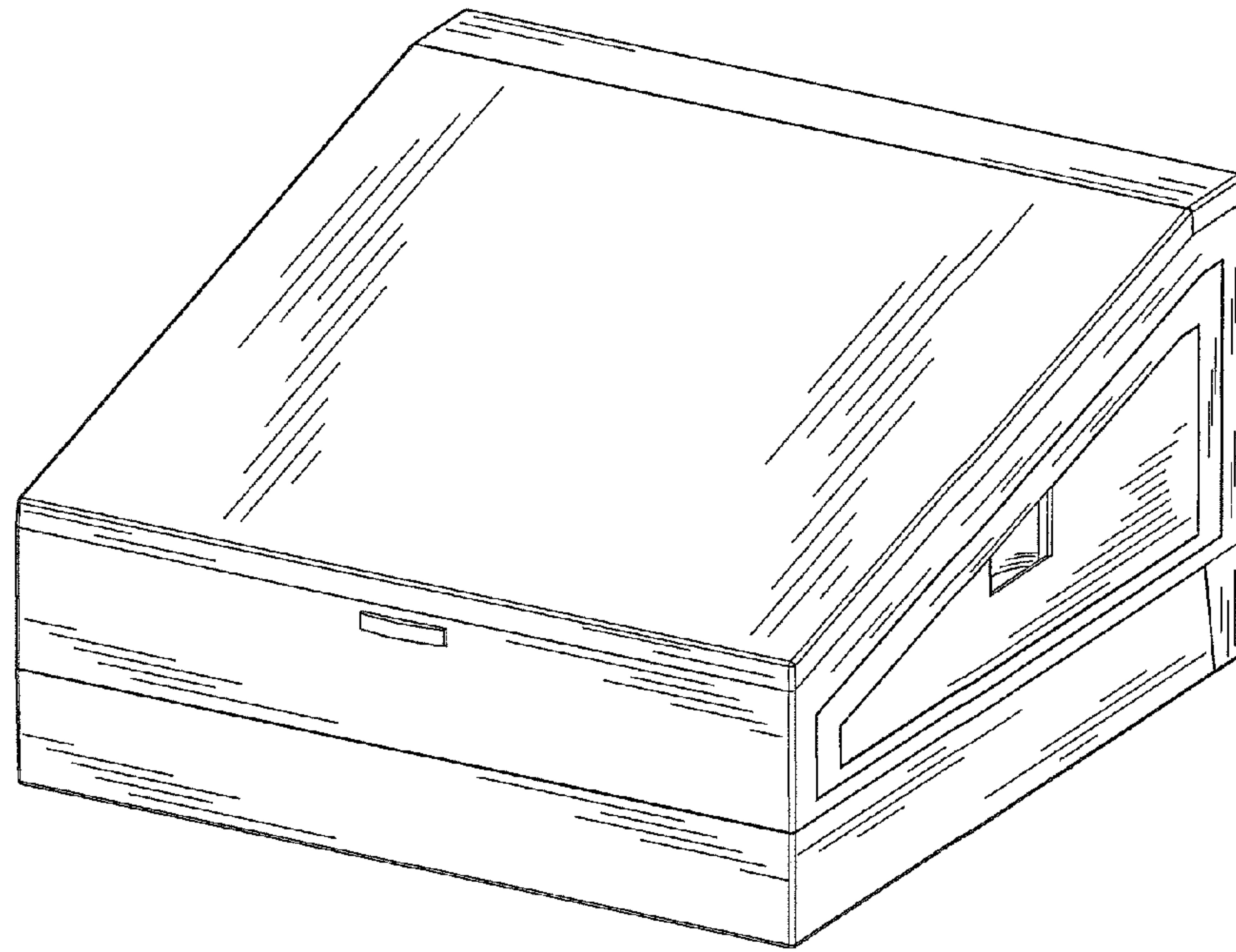


FIG.1

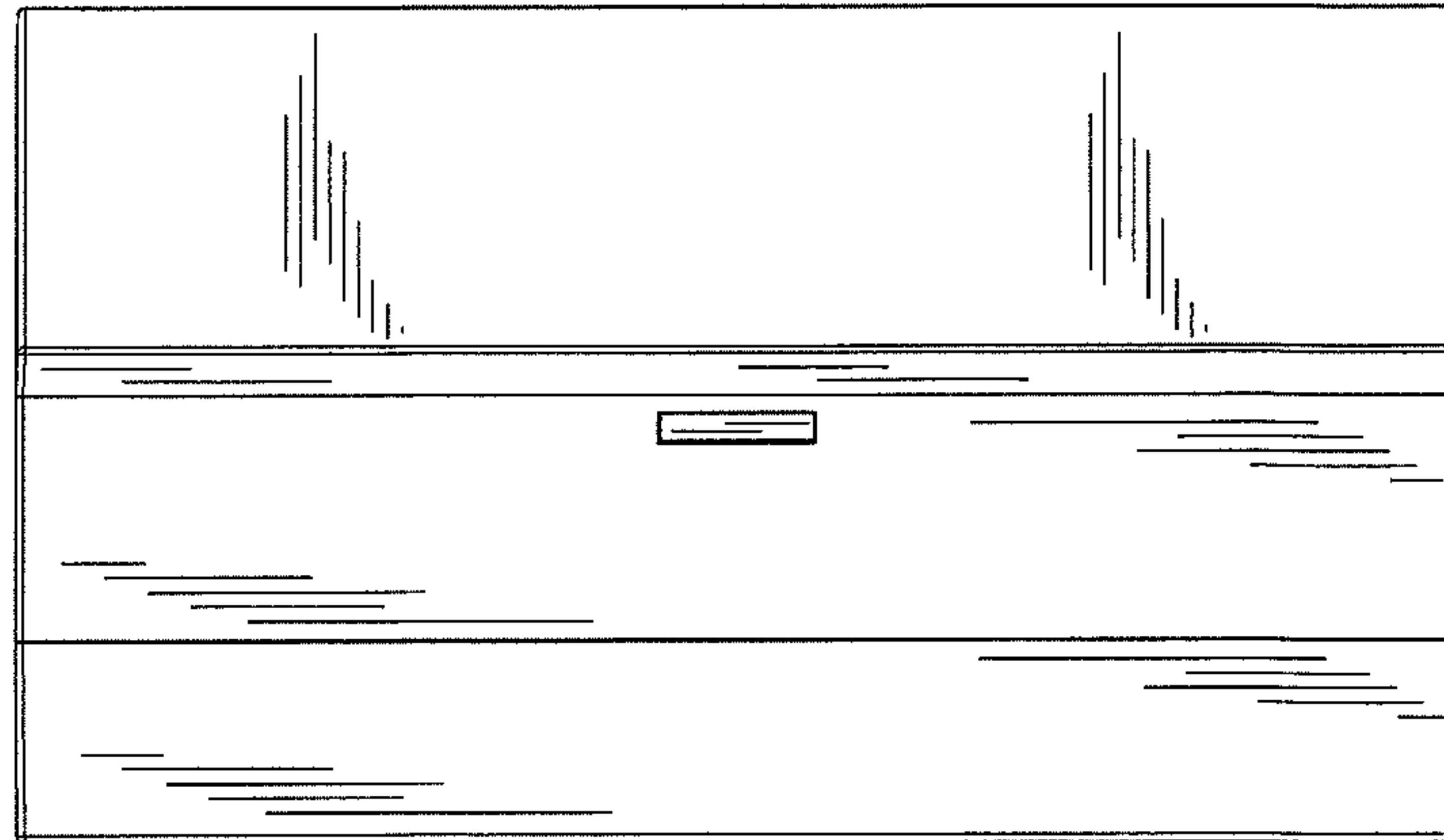


FIG.2

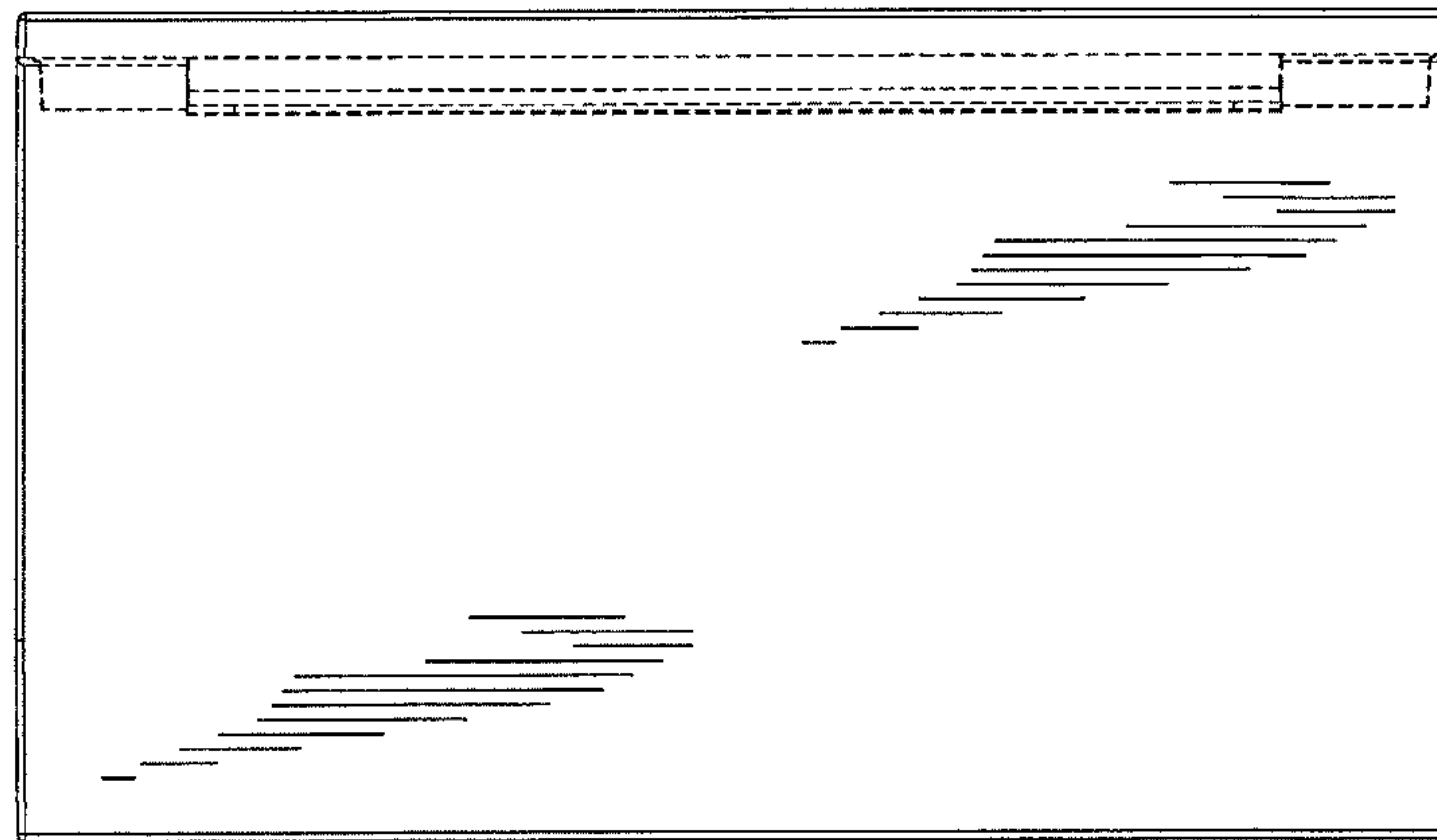


FIG.3

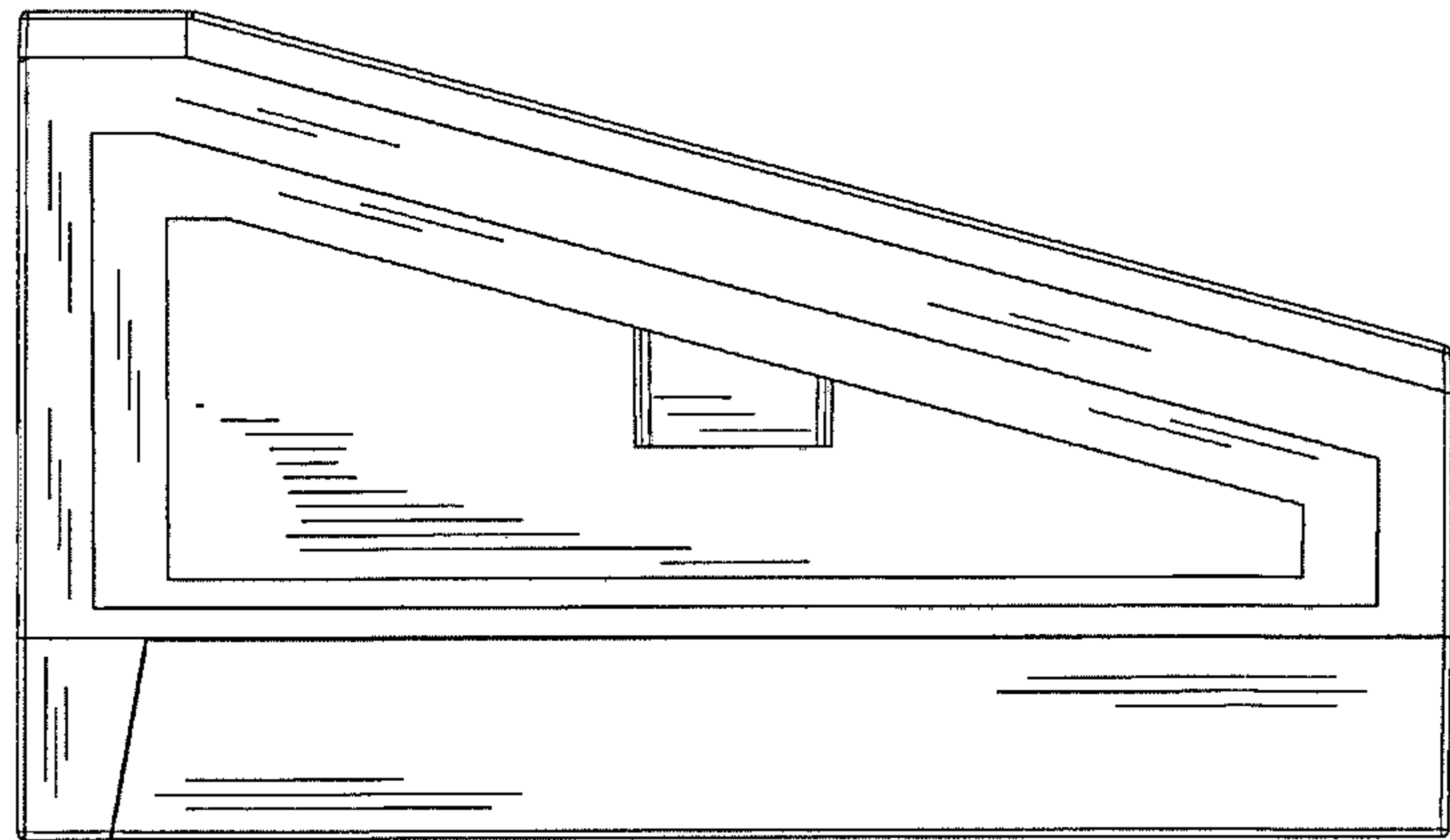


FIG.4

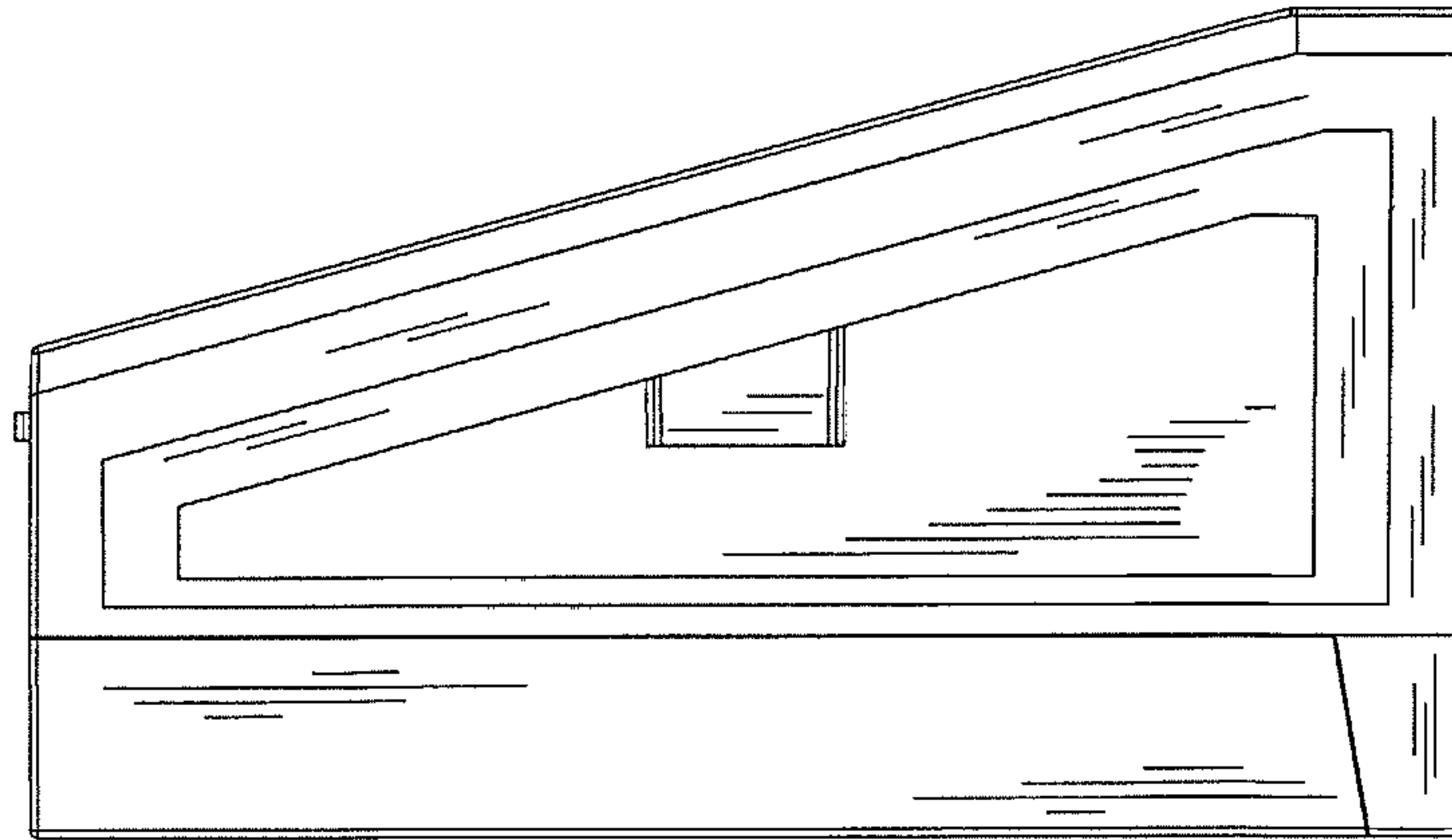


FIG.5

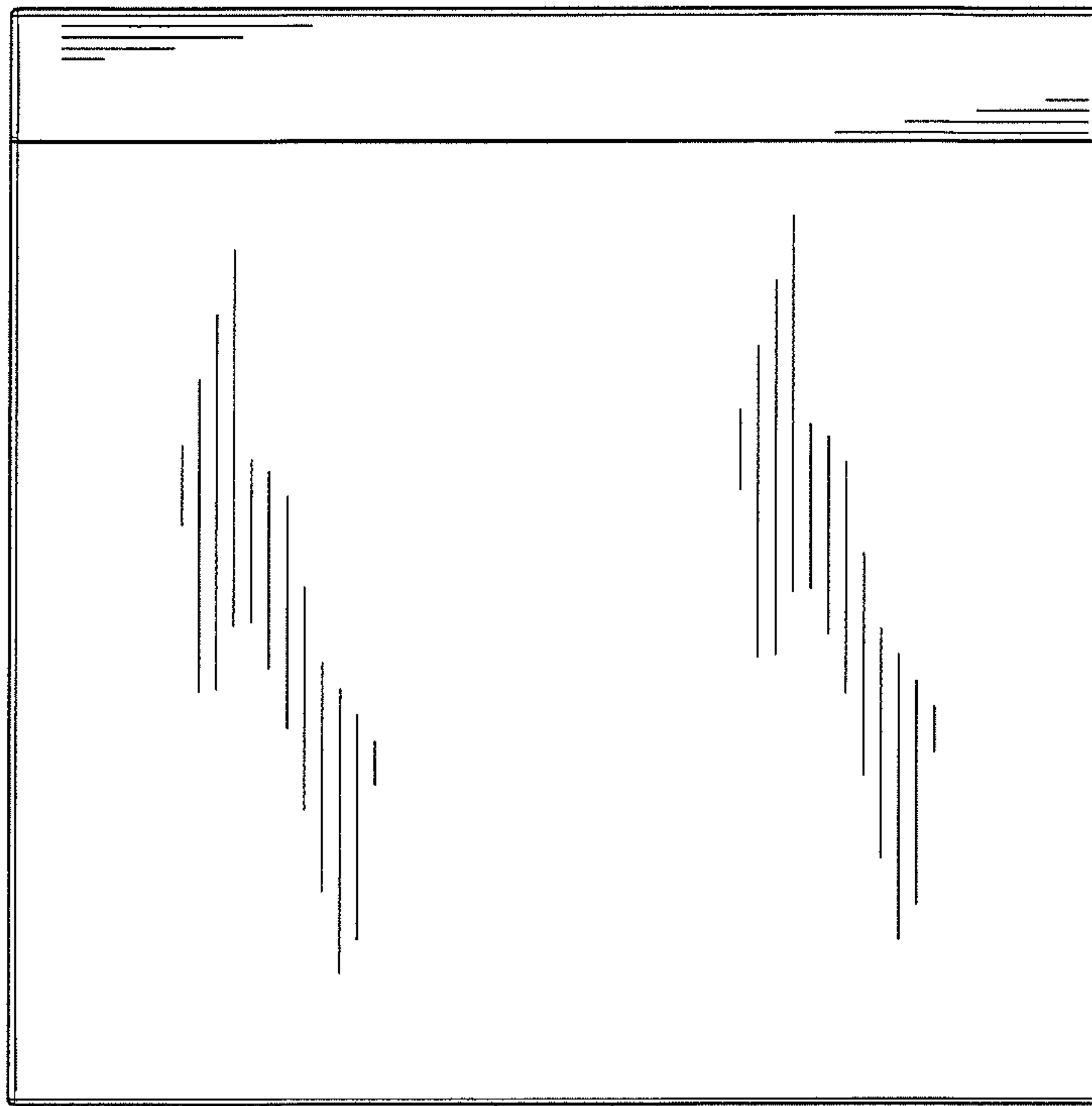


FIG.6

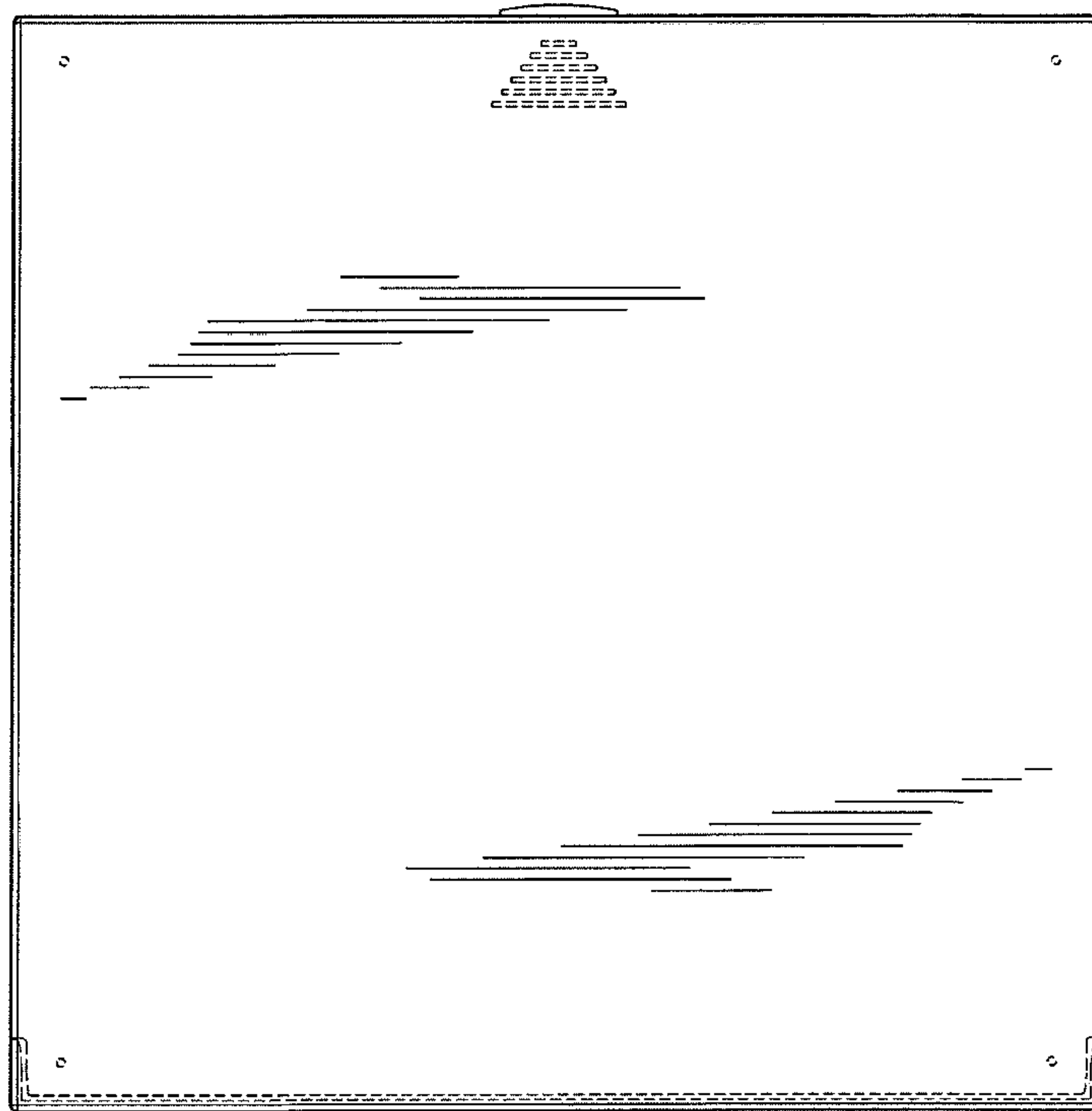


FIG.7

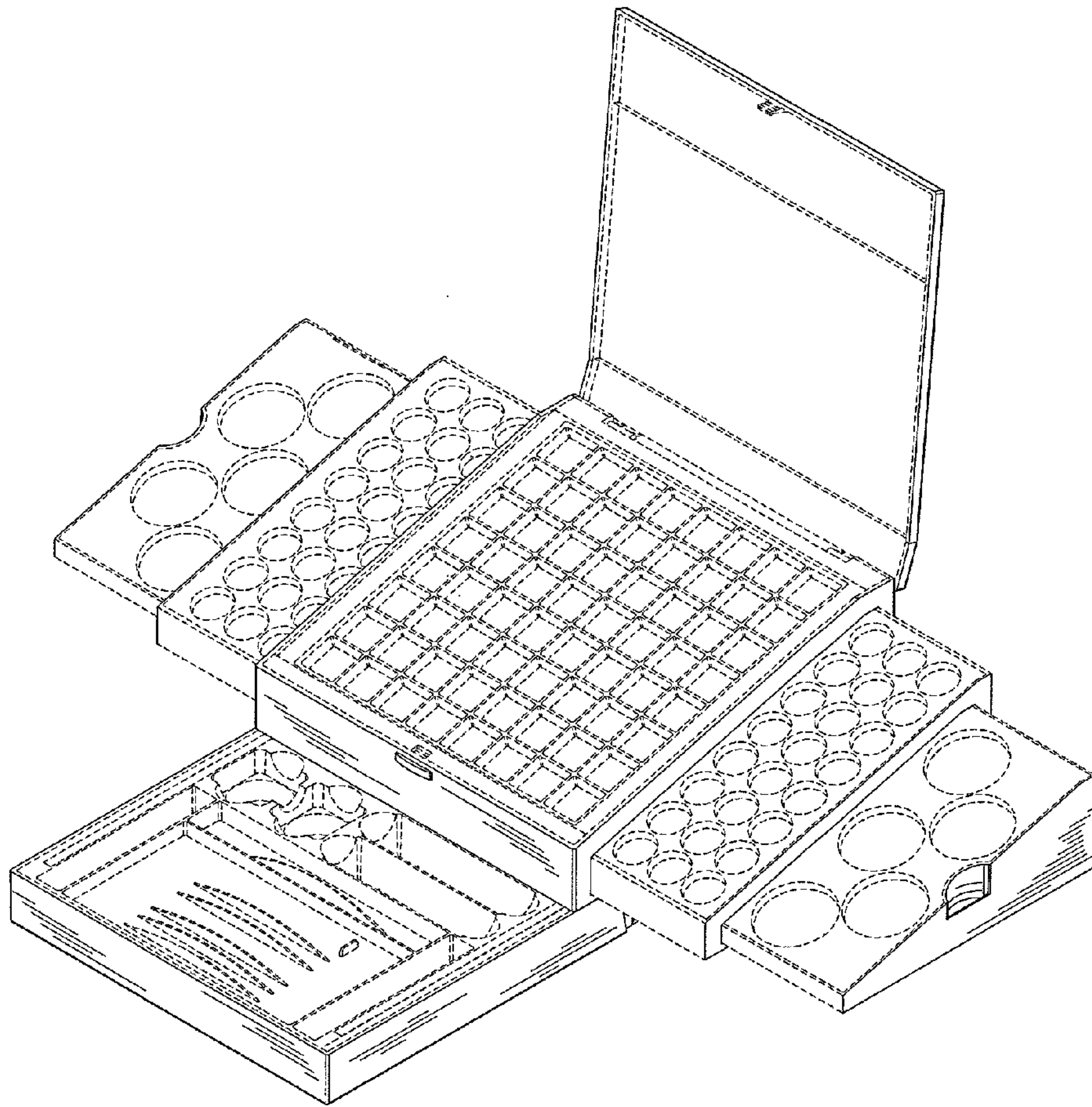


FIG.8