



US00D723792S

(12) **United States Design Patent**
Anderson et al.

(10) **Patent No.:** **US D723,792 S**
(45) **Date of Patent:** **** Mar. 10, 2015**

- (54) **EAR TIP ASSEMBLY KIT**
- (71) Applicant: **Logitech Europe SA**, Lausanne (CH)
- (72) Inventors: **Jeff Anderson**, Camas, WA (US); **Neil O’Connell**, Seattle, WA (US); **Doug Ebert**, Portland, OR (US)
- (73) Assignee: **Logitech Europe S.A.**, Lausanne (CH)
- (**) Term: **14 Years**
- (21) Appl. No.: **29/476,845**
- (22) Filed: **Dec. 17, 2013**
- (51) **LOC (10) Cl.** **03-01**
- (52) **U.S. Cl.**
USPC **D3/201**
- (58) **Field of Classification Search**
USPC D3/201–206, 272–273, 283–284, 294;
206/576, 521, 320, 305, 234, 37–38
See application file for complete search history.

7,298,858	B2	11/2007	Wilson et al.
7,314,047	B2	1/2008	Falco
7,349,550	B2	3/2008	Oliveira et al.
D591,732	S	5/2009	Burton
7,537,011	B2	5/2009	Falco
D600,440	S *	9/2009	Gaikwad et al. D3/203.1
7,681,577	B2	3/2010	Blanchard
D617,546	S *	6/2010	Foster et al. D3/203.1
D624,901	S	10/2010	Blanchard
7,837,005	B2	11/2010	Killion
7,861,723	B2	1/2011	Dedrick et al.
7,916,888	B2	3/2011	Sapiejewski et al.
7,967,015	B2	6/2011	Jenkins, Jr.
7,984,716	B2	7/2011	Purcell et al.
7,991,179	B2	8/2011	Drambarean et al.
8,101,103	B2	1/2012	Tiemens et al.
8,113,207	B2	2/2012	Gehling et al.
8,118,162	B1	2/2012	McEwin et al.
8,160,288	B2	4/2012	Axelsson

(Continued)

Primary Examiner — Catheri Oliver-Garcia
(74) *Attorney, Agent, or Firm* — Patterson & Sheridan LLP

(57) **CLAIM**
The ornamental design for an ear tip assembly kit, as shown.

(56) **References Cited**

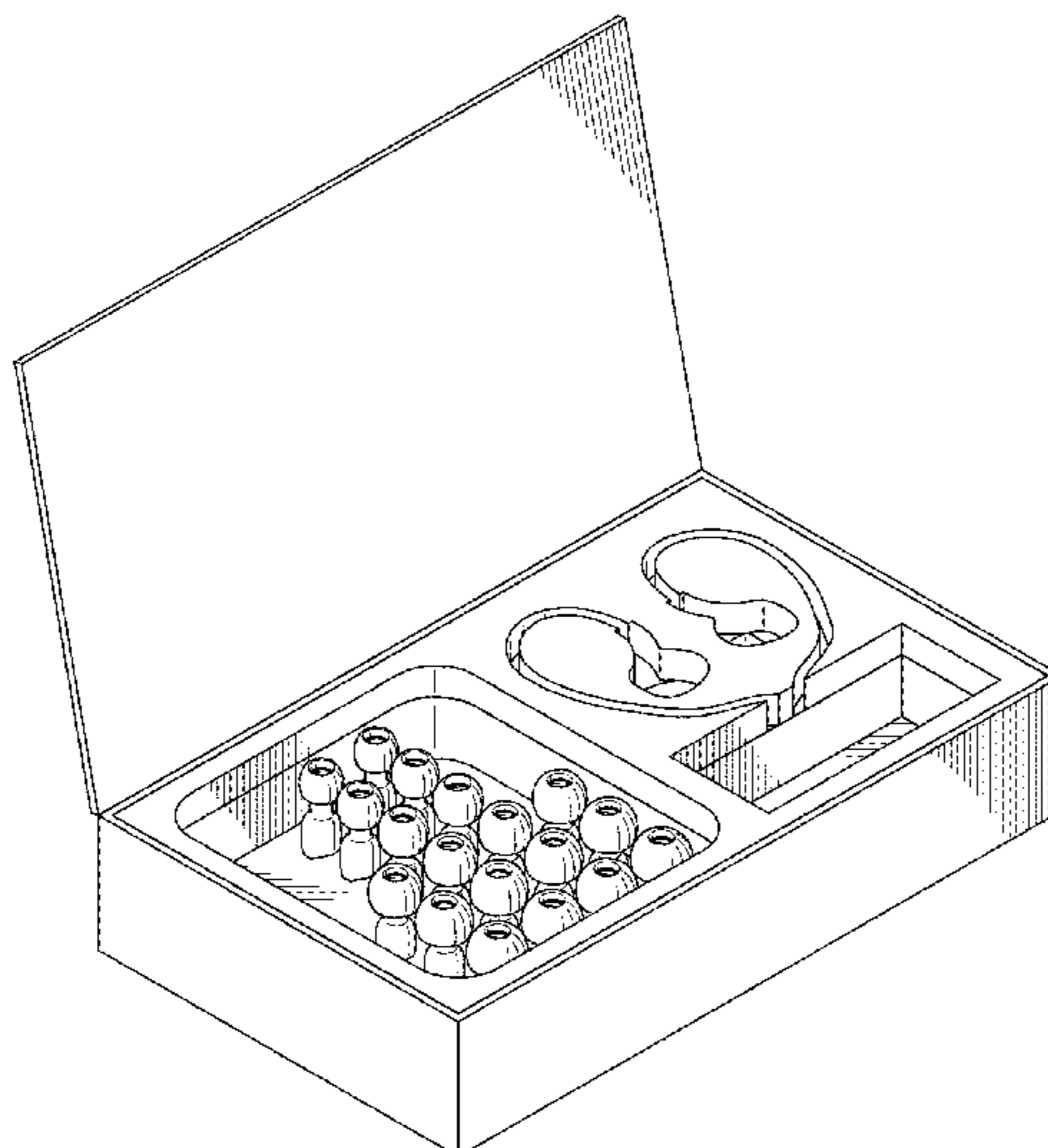
DESCRIPTION

U.S. PATENT DOCUMENTS

D249,584	S *	9/1978	Atkinson	D3/204
4,763,753	A	8/1988	Killion		
4,781,196	A	11/1988	Killion		
4,852,177	A	7/1989	Ambrose		
5,002,151	A	3/1991	Oliveira et al.		
D327,363	S *	6/1992	Farb	D3/203.1
5,131,411	A	7/1992	Casali et al.		
5,251,751	A	10/1993	Prussen		
D383,605	S *	9/1997	Usuriello	D3/284
5,887,720	A *	3/1999	Lin	206/702
6,258,043	B1	7/2001	Raviv et al.		
6,286,622	B1	9/2001	Tiemann		
6,567,527	B1	5/2003	Baker et al.		
7,028,588	B2	4/2006	Shih		
7,082,206	B2	7/2006	Mahoney et al.		
7,116,793	B2	10/2006	Seto		

FIG. 1 is a top isometric view of an ear tip assembly kit showing the new design, with ear tips disclosed therein; FIG. 2 is a top plan view thereof; FIG. 3 is a cross-sectional view shown along line 3-3 of FIG. 2; FIG. 4 is a top isometric view, with the ear tips removed; FIG. 5 is a top plan view thereof; FIG. 6 is a cross-sectional view shown along line 6-6 of FIG. 5; FIG. 7 is a cross-sectional view shown along line 7-7 of FIG. 5; and, FIG. 8 is a top isometric view, with the ear tips shown removed.

1 Claim, 8 Drawing Sheets



(56)

References Cited

U.S. PATENT DOCUMENTS

8,201,561 B2	6/2012	Blanchard	8,270,656 B2	9/2012	Stiehl et al.
8,229,128 B2	7/2012	Keady	8,280,093 B2	10/2012	Siahaan et al.
8,238,596 B2	8/2012	Blanchard et al.	8,333,260 B1	12/2012	Hall et al.
8,265,323 B2	9/2012	Stiehl et al.	8,348,010 B2	1/2013	Stiehl et al.
8,265,327 B2	9/2012	Ishizaka	8,348,011 B1	1/2013	Huang
8,270,648 B2	9/2012	Murozaki	8,413,331 B2	4/2013	Tiemens et al.
			D691,372 S *	10/2013	Chun D3/294
			2010/0310106 A1	12/2010	Blanchard et al.
			2011/0051979 A1	3/2011	Lee et al.

* cited by examiner

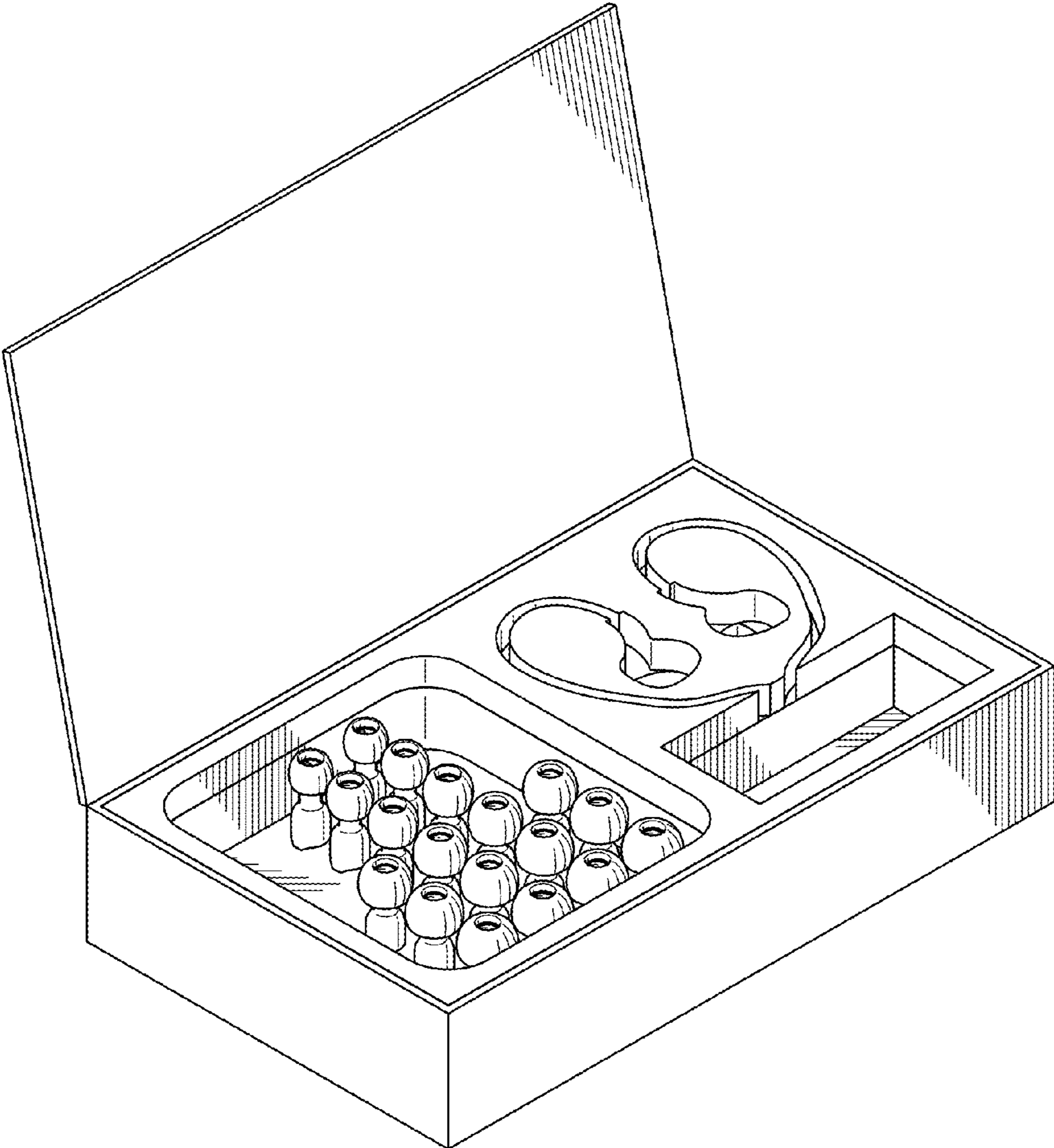


Fig. 1

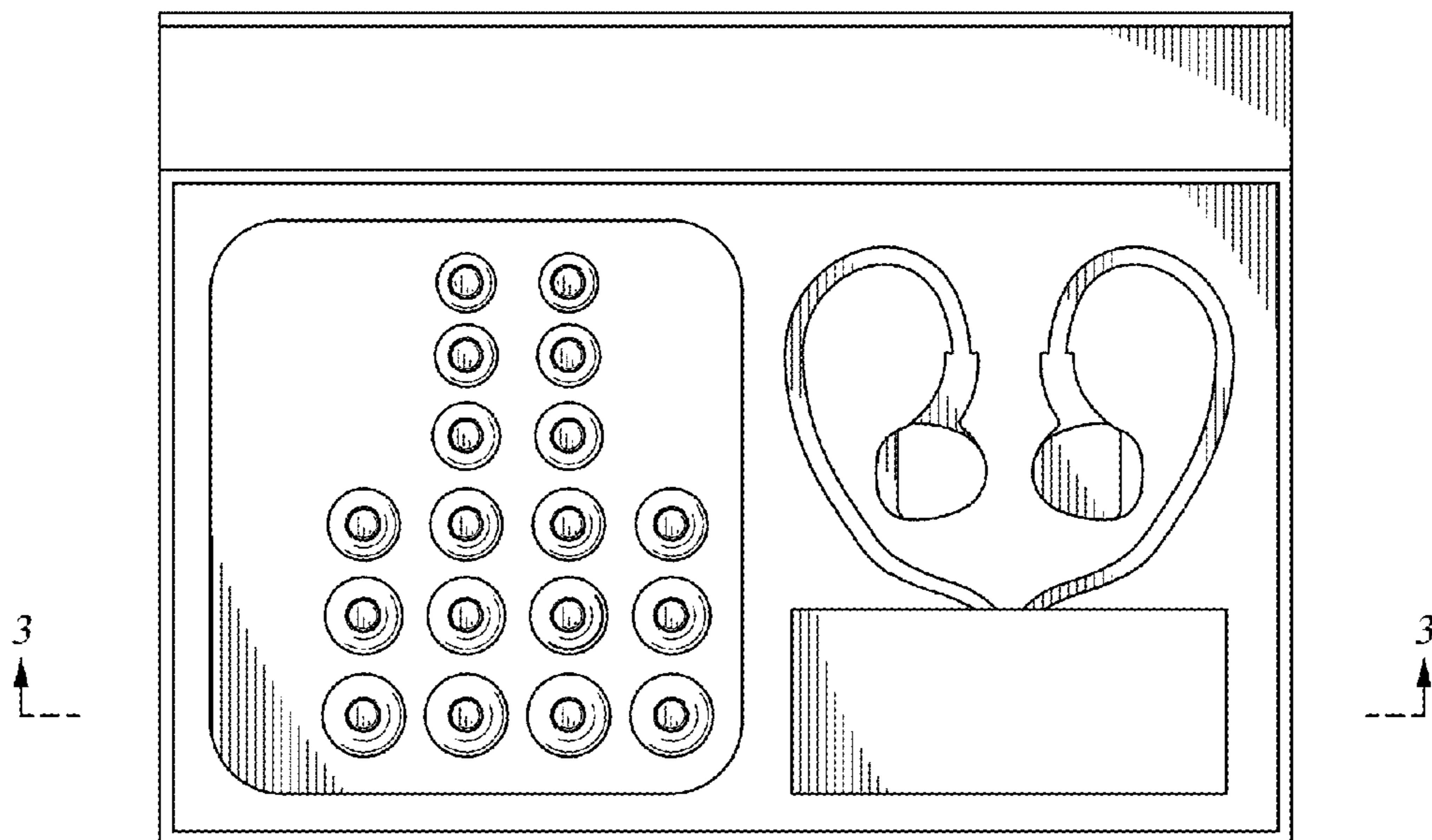


Fig. 2

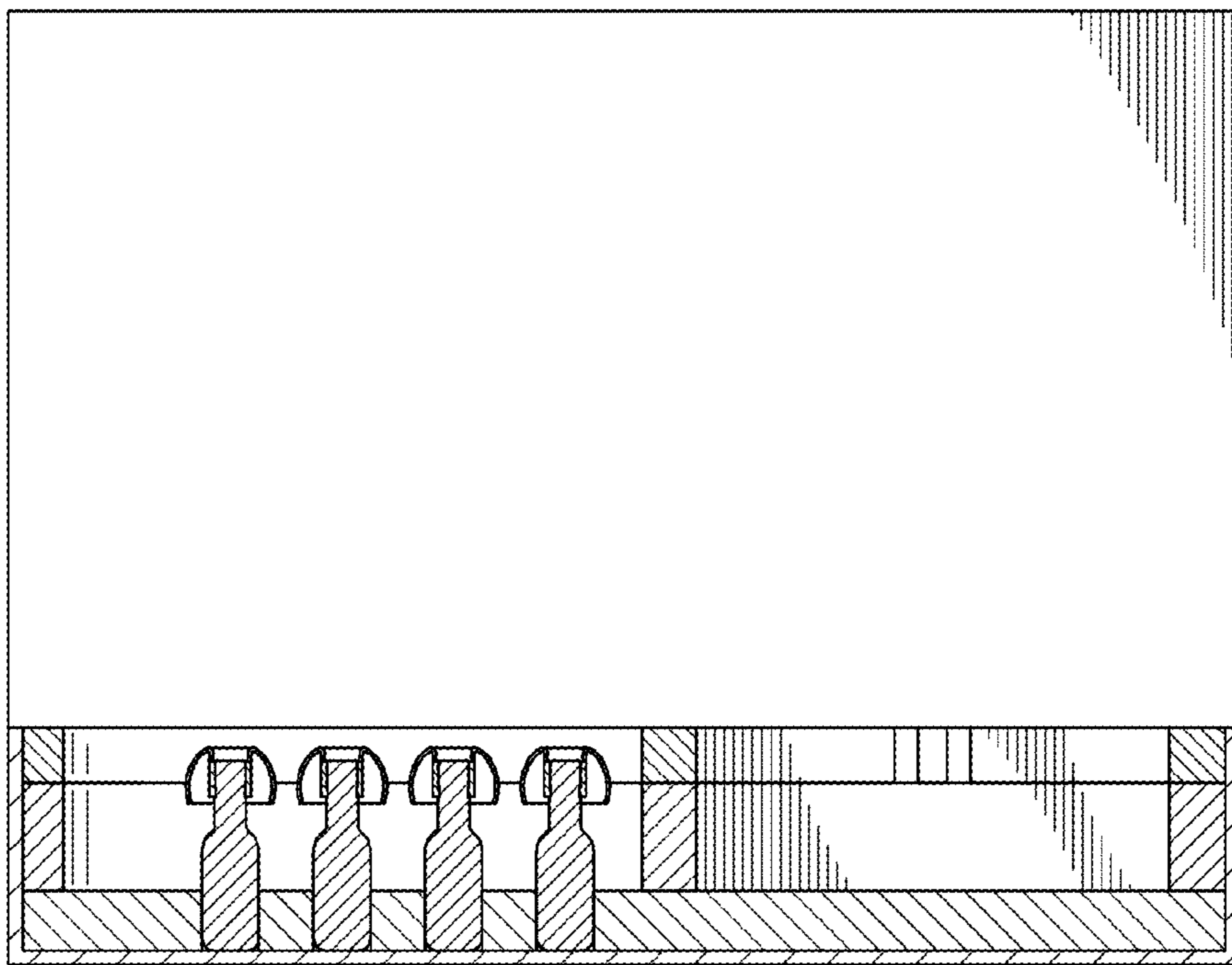


Fig. 3

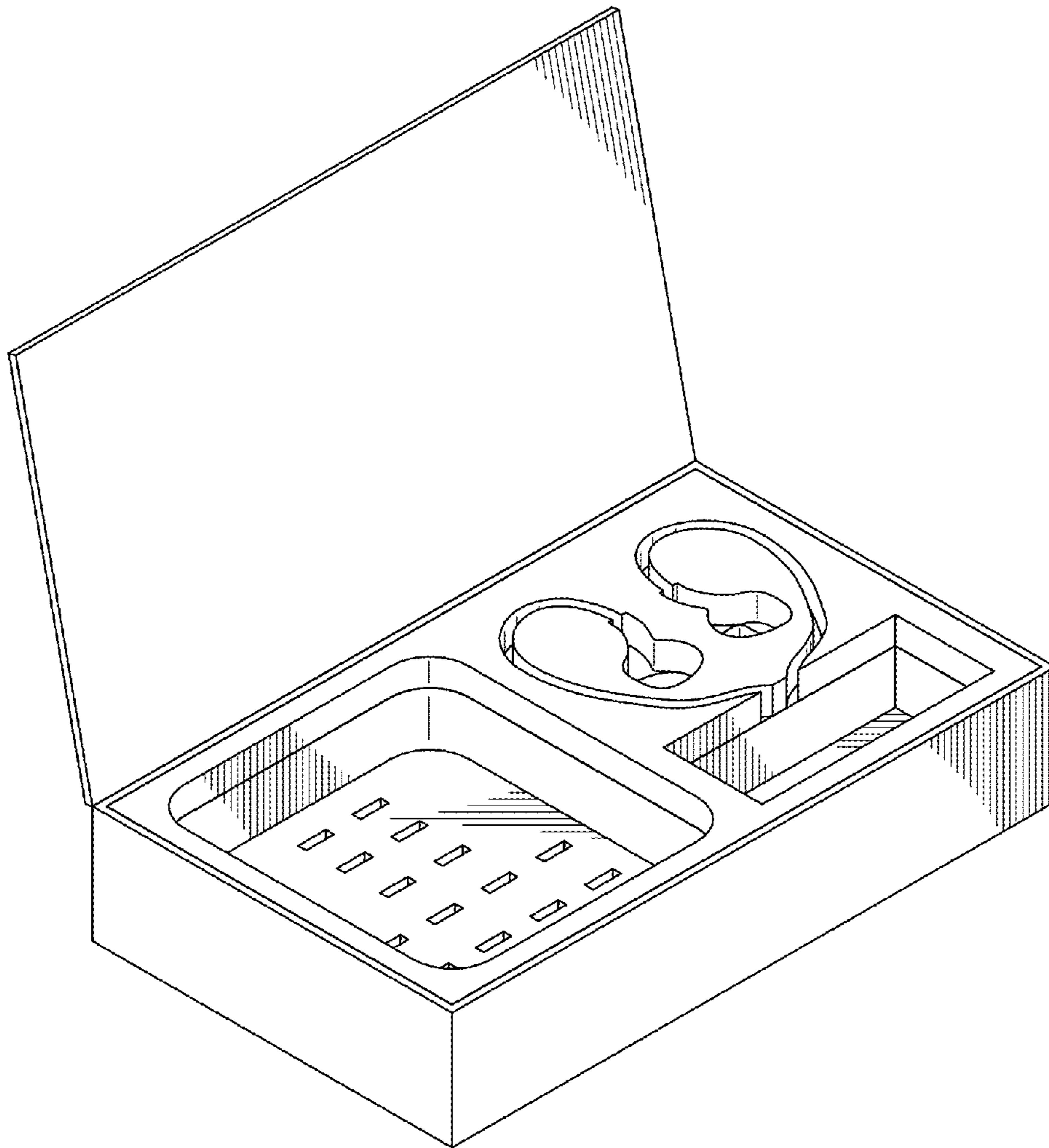


Fig. 4

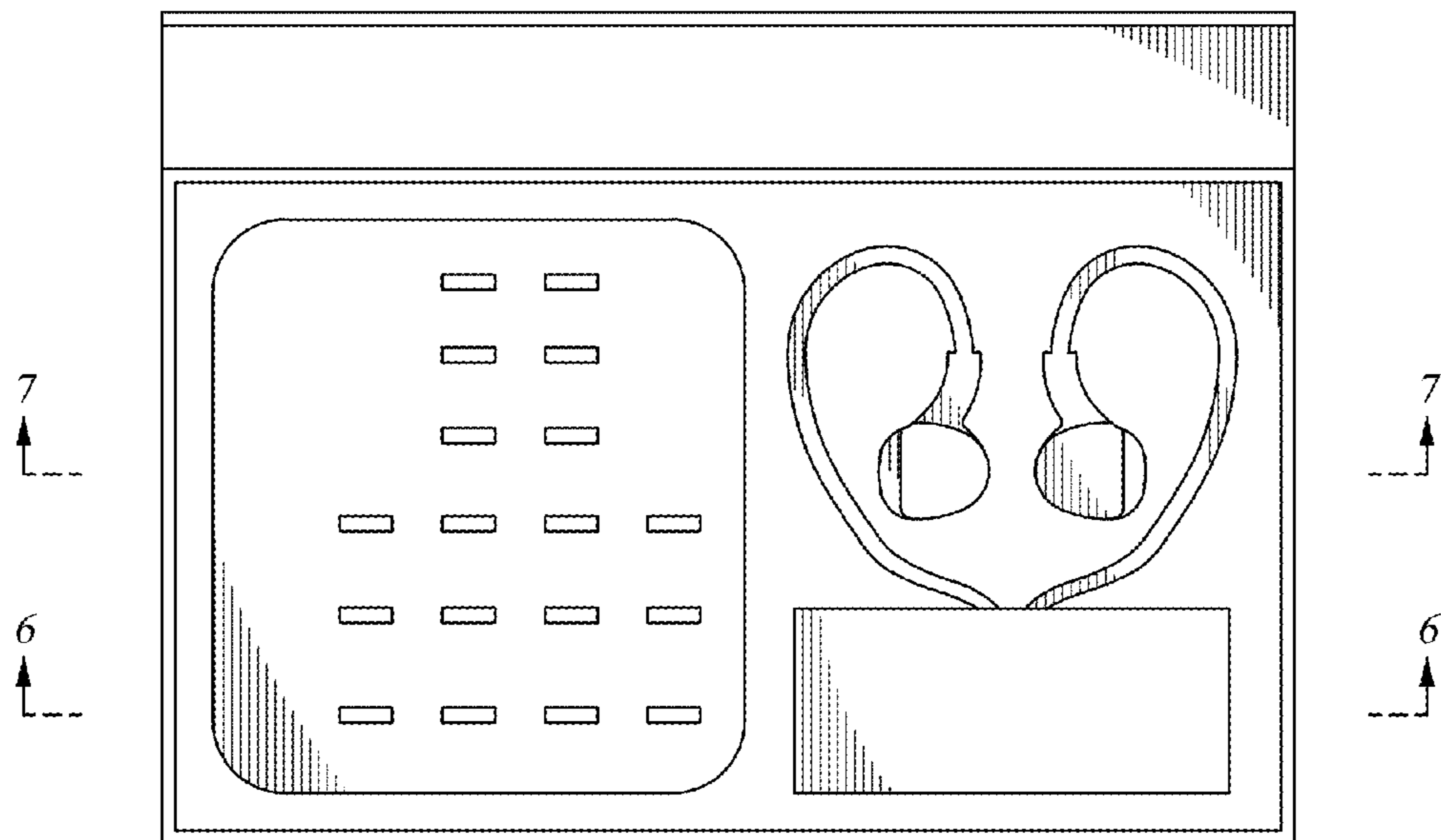


Fig. 5

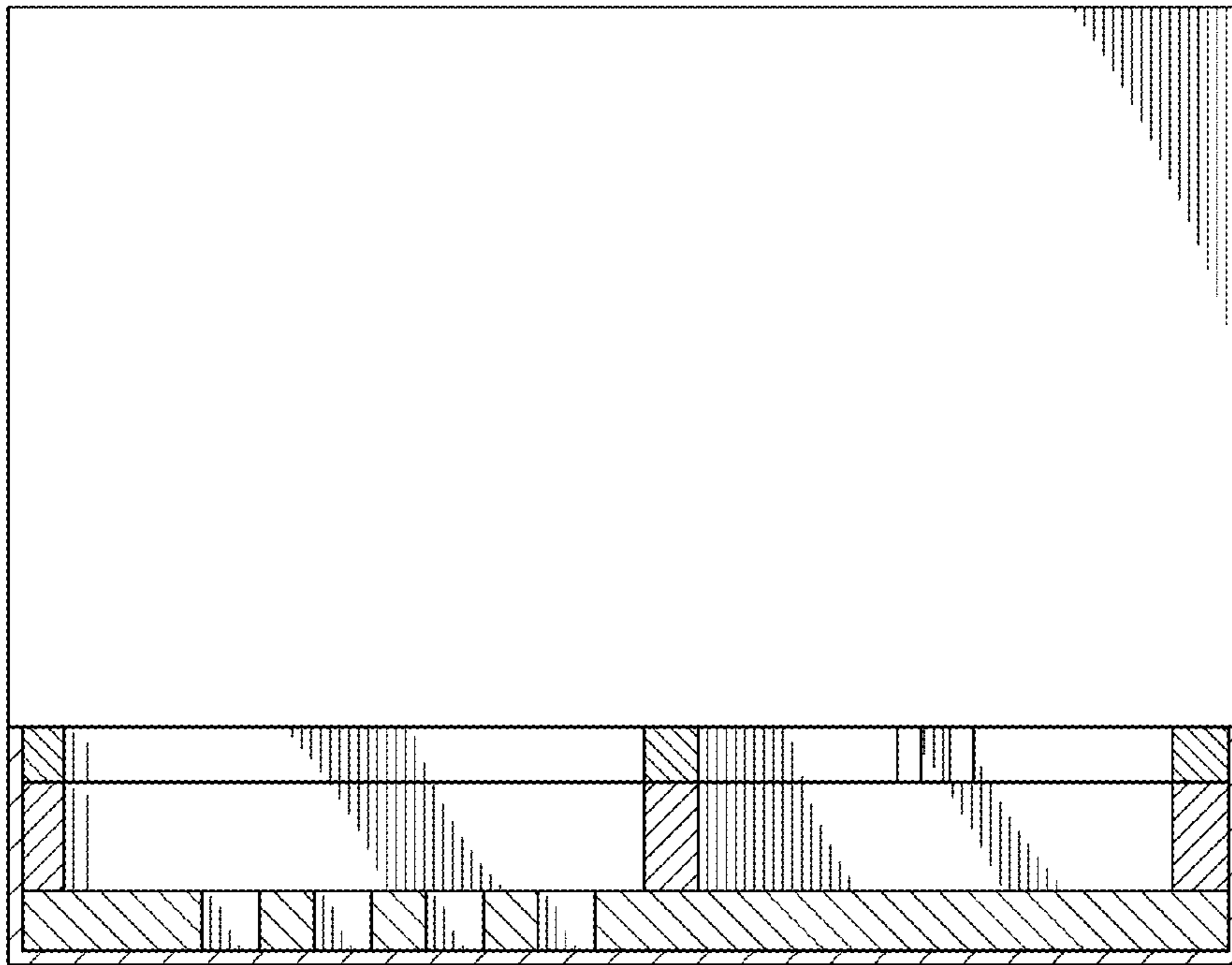


Fig. 6

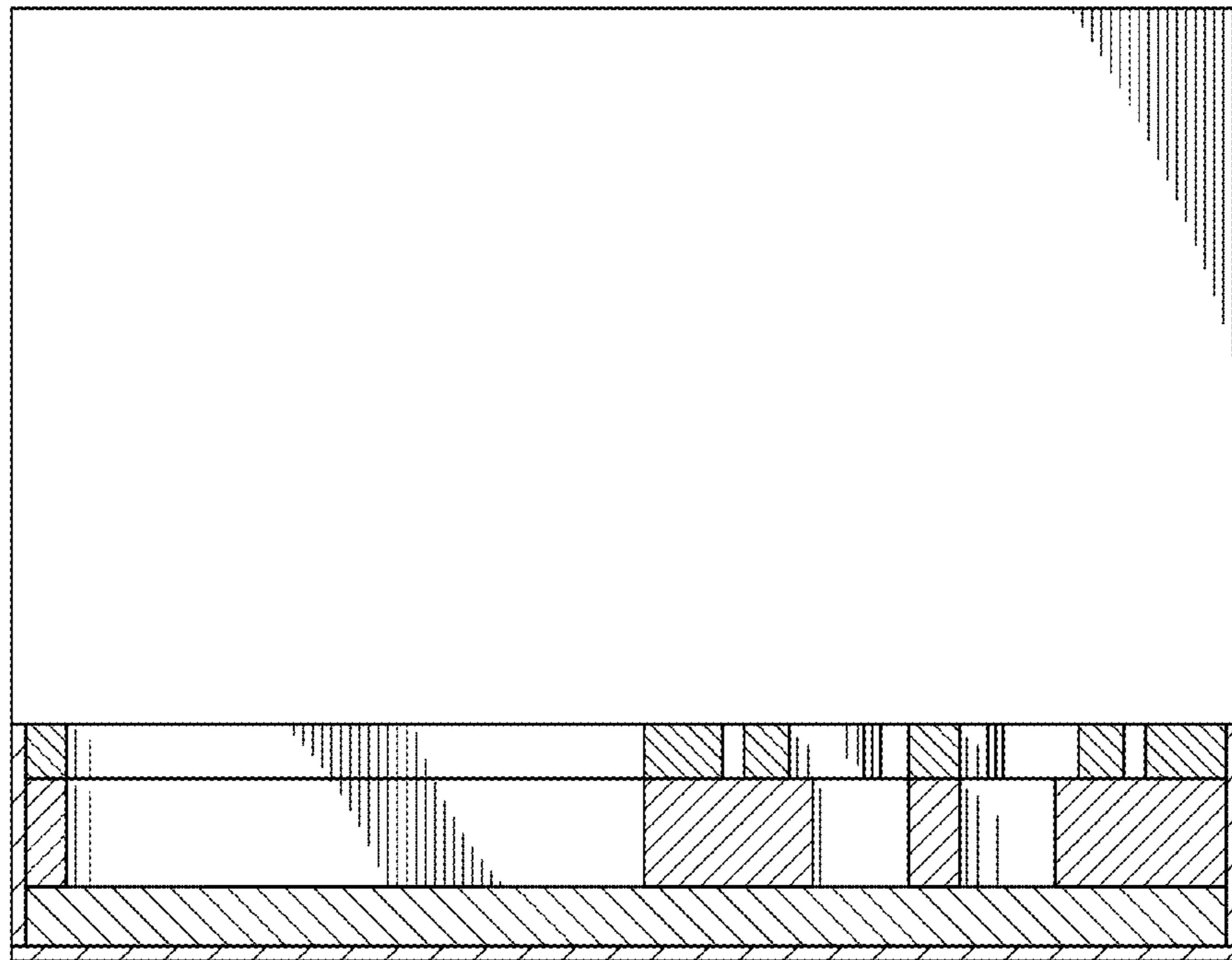


Fig. 7

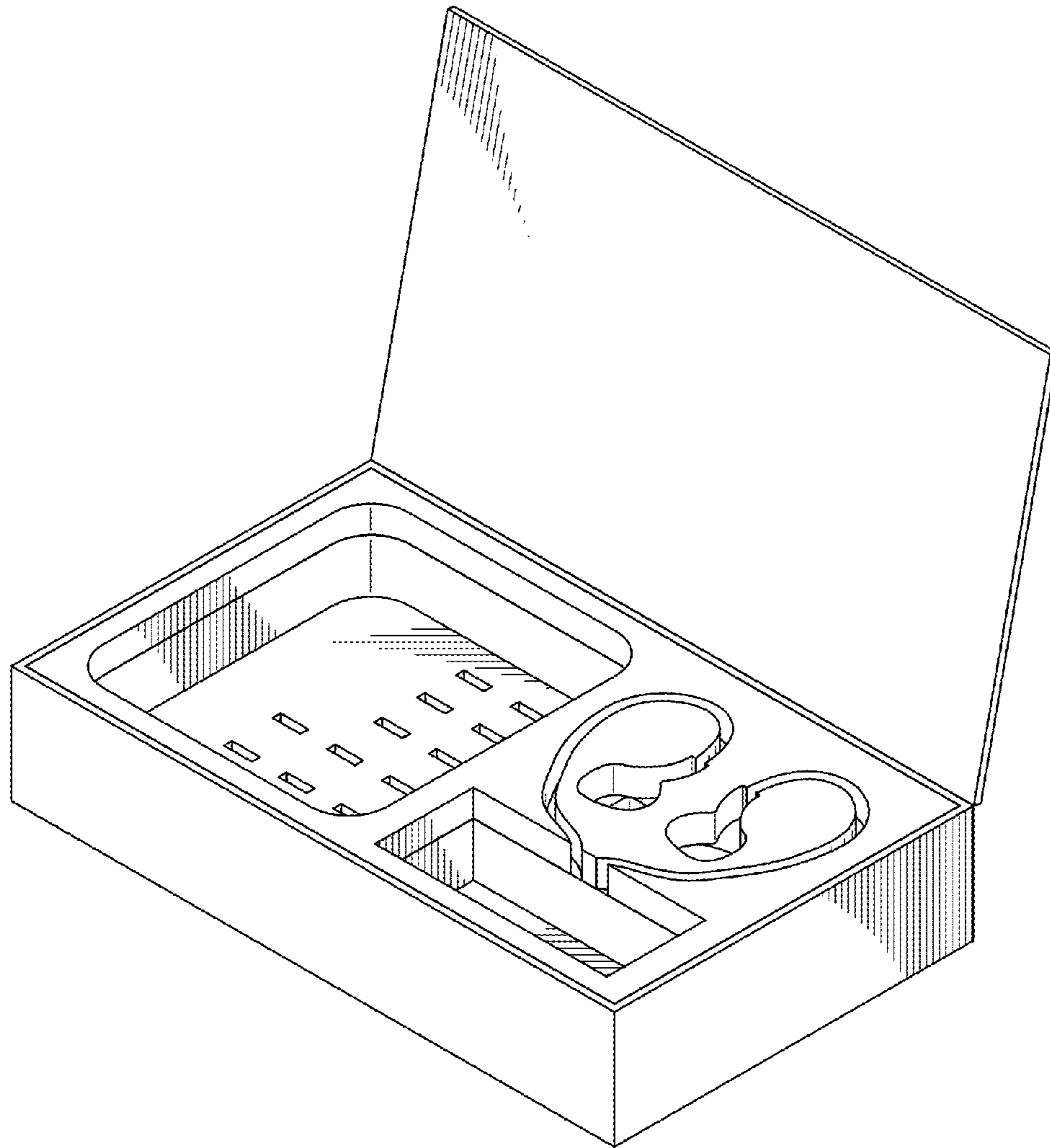


Fig. 8